



US00D646603S

(12) **United States Design Patent**
Zhang

(10) **Patent No.:** **US D646,603 S**

(45) **Date of Patent:** **** Oct. 11, 2011**

(54) **ELECTRIC VEHICLE**

(75) Inventor: **Xue-Qing Zhang**, SuZhou (CN)

(73) Assignee: **Suzhou Eagle Electric Vehicle Manufacturing Co., Ltd.**, Suzhou, Jiangsu Province (CN)

(**) Term: **14 Years**

(21) Appl. No.: **29/383,692**

(22) Filed: **Jan. 20, 2011**

(51) **LOC (9) Cl.** **12-02**

(52) **U.S. Cl.** **D12/16; D12/1; D12/14**

(58) **Field of Classification Search** D12/87,
D12/86, 1, 433, 15, 16, 107, 82, 88, 89, 90,
D12/91, 92, 93, 14; D15/30; D21/803; 180/233,
180/908; 280/DIG. 5, 183, 184, 185, 186,
280/28, 37.7

See application file for complete search history.

(56) **References Cited**

U.S. PATENT DOCUMENTS

D503,905 S *	4/2005	Saito et al.	D12/1
7,093,580 B2 *	8/2006	McLeod	123/376
7,278,648 B2 *	10/2007	Bobbitt et al.	280/86.751
D586,694 S *	2/2009	Huang et al.	D12/14
7,694,769 B2 *	4/2010	McGuire	180/208
7,802,816 B2 *	9/2010	McGuire	280/788
D631,395 S *	1/2011	Tandrup et al.	D12/14

2005/0155573 A1 *	7/2005	McLeod	123/376
2005/0212244 A1 *	9/2005	Bobbitt et al.	280/86.751
2008/0230294 A1 *	9/2008	Smith et al.	180/233
2011/0048833 A1 *	3/2011	Schopf et al.	180/233

* cited by examiner

Primary Examiner — T. Chase Nelson

Assistant Examiner — Ania Dworzecka

(74) *Attorney, Agent, or Firm* — Cheng-Ju Chiang

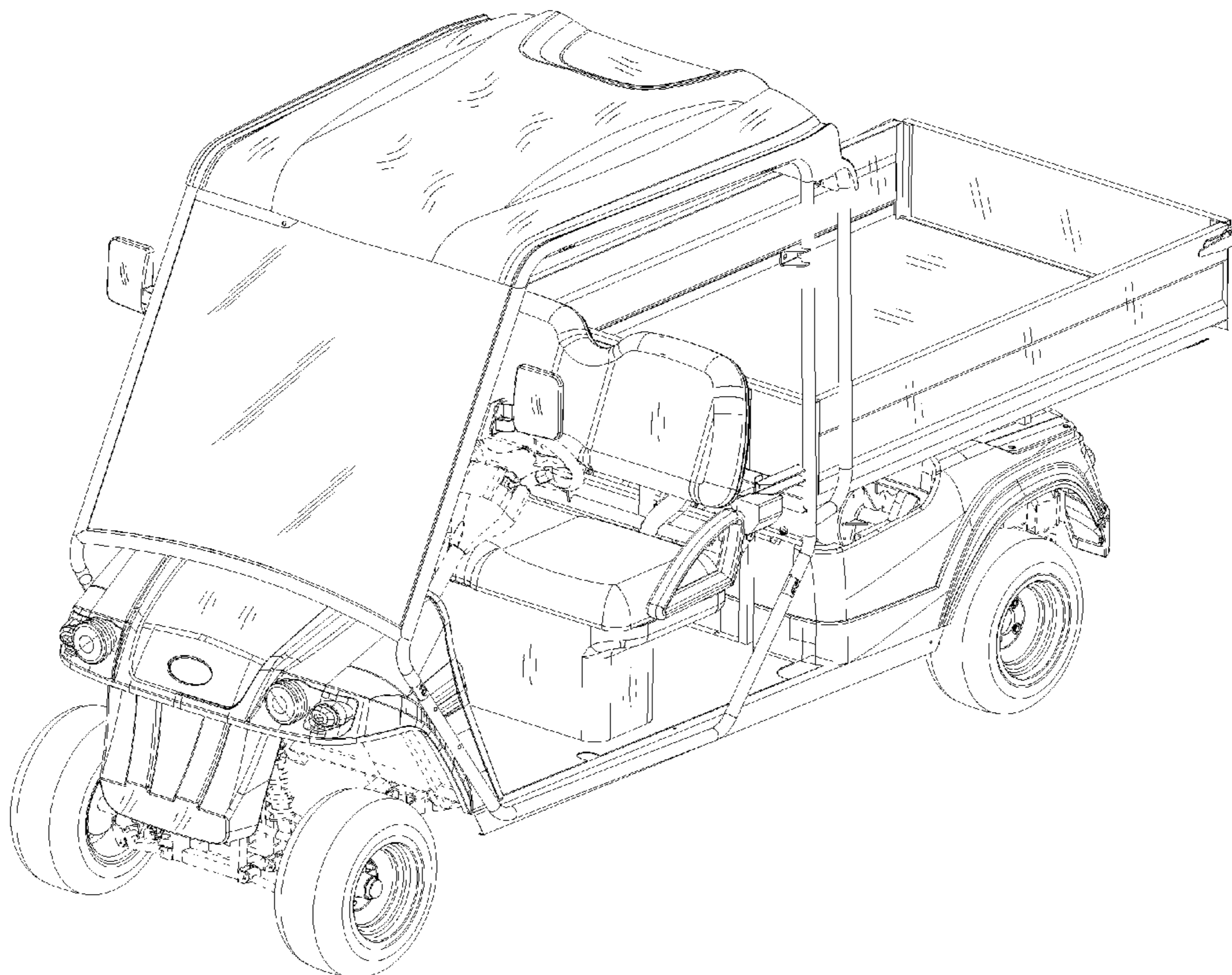
(57) **CLAIM**

The ornamental design for an electric vehicle, as shown and described.

DESCRIPTION

FIG. 1 is a top, front and right side perspective view of an electric vehicle showing my new design; FIG. 2 is a front elevation view thereof; FIG. 3 is a rear elevation view thereof; FIG. 4 is a left side elevation view thereof; FIG. 5 is a right side elevation view thereof; FIG. 6 is a top plan view thereof; and, FIG. 7 is a top, rear and right side perspective view thereof. The bottom has no claimed ornamental features. The broken lines showing of elements in the figures are for the purpose of illustrating environment and form no part of the claimed design.

1 Claim, 7 Drawing Sheets



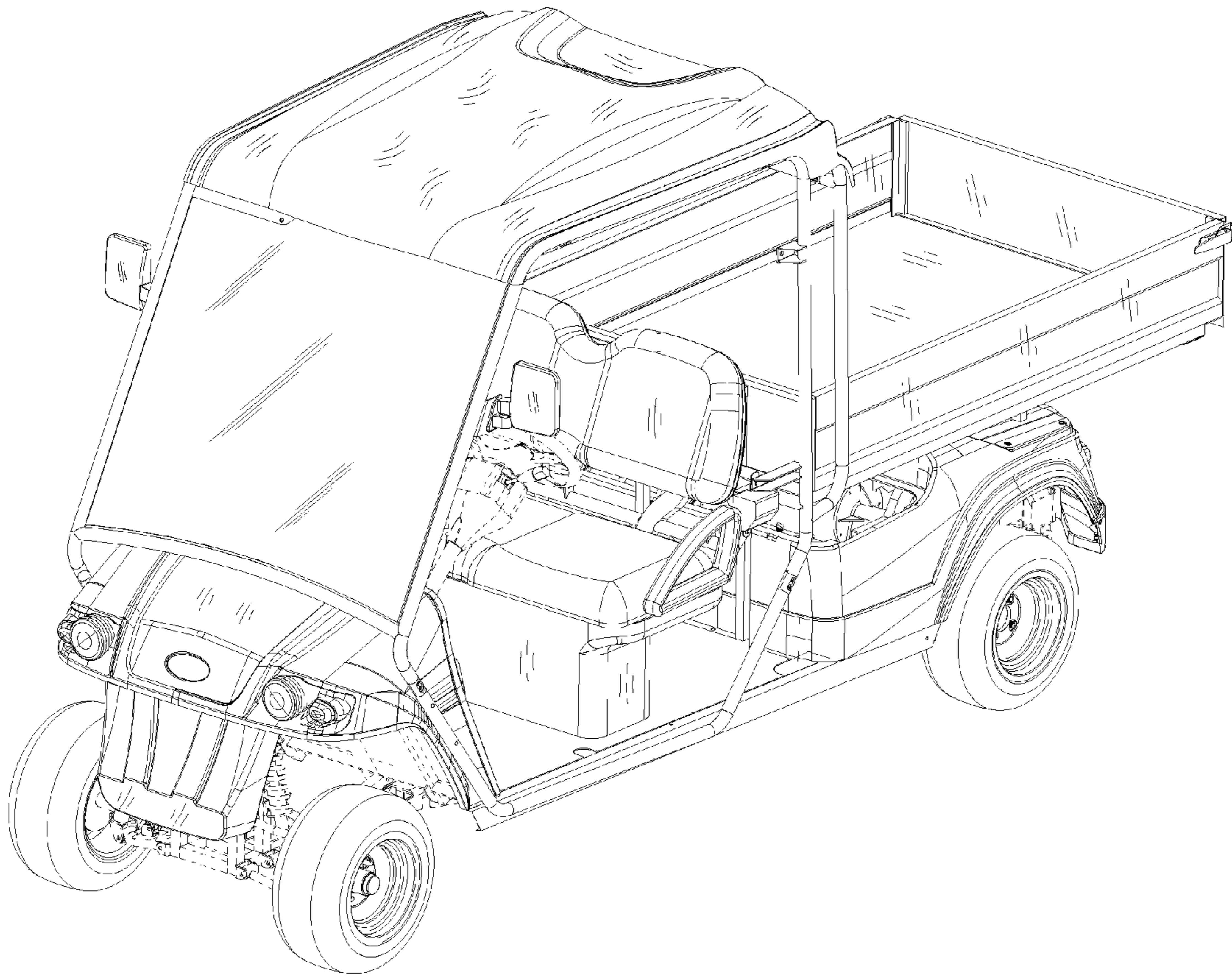


FIG.1

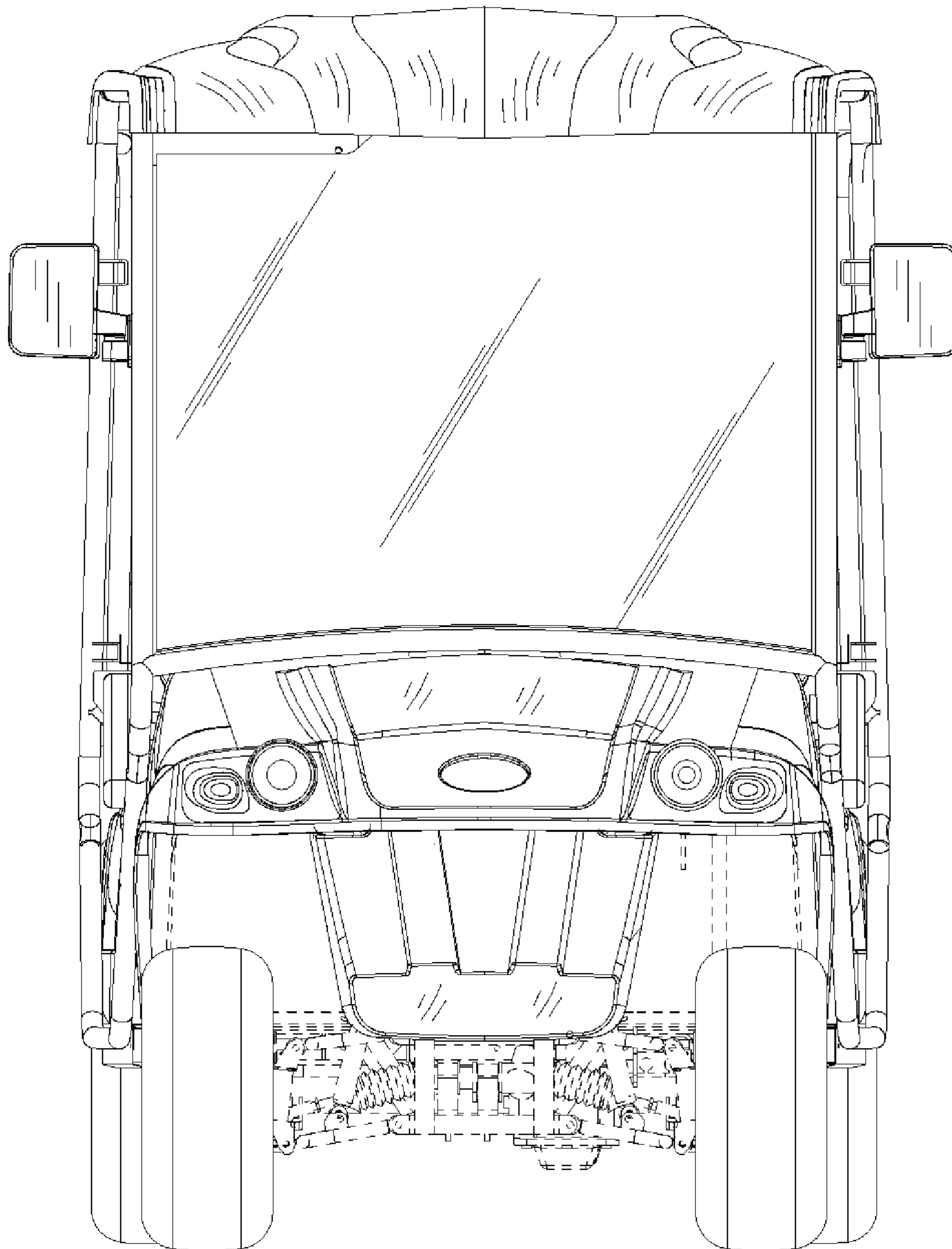


FIG.2

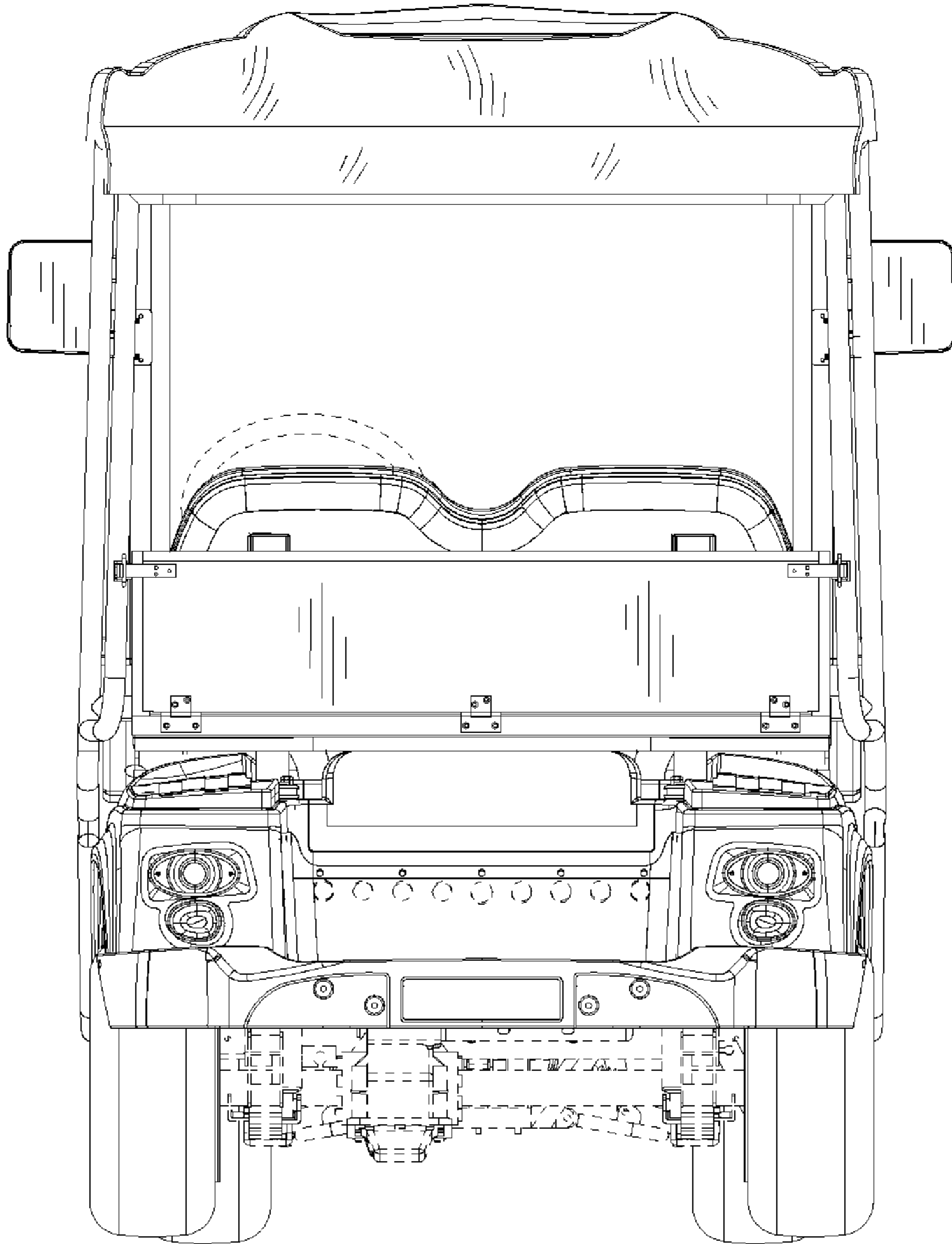


FIG.3

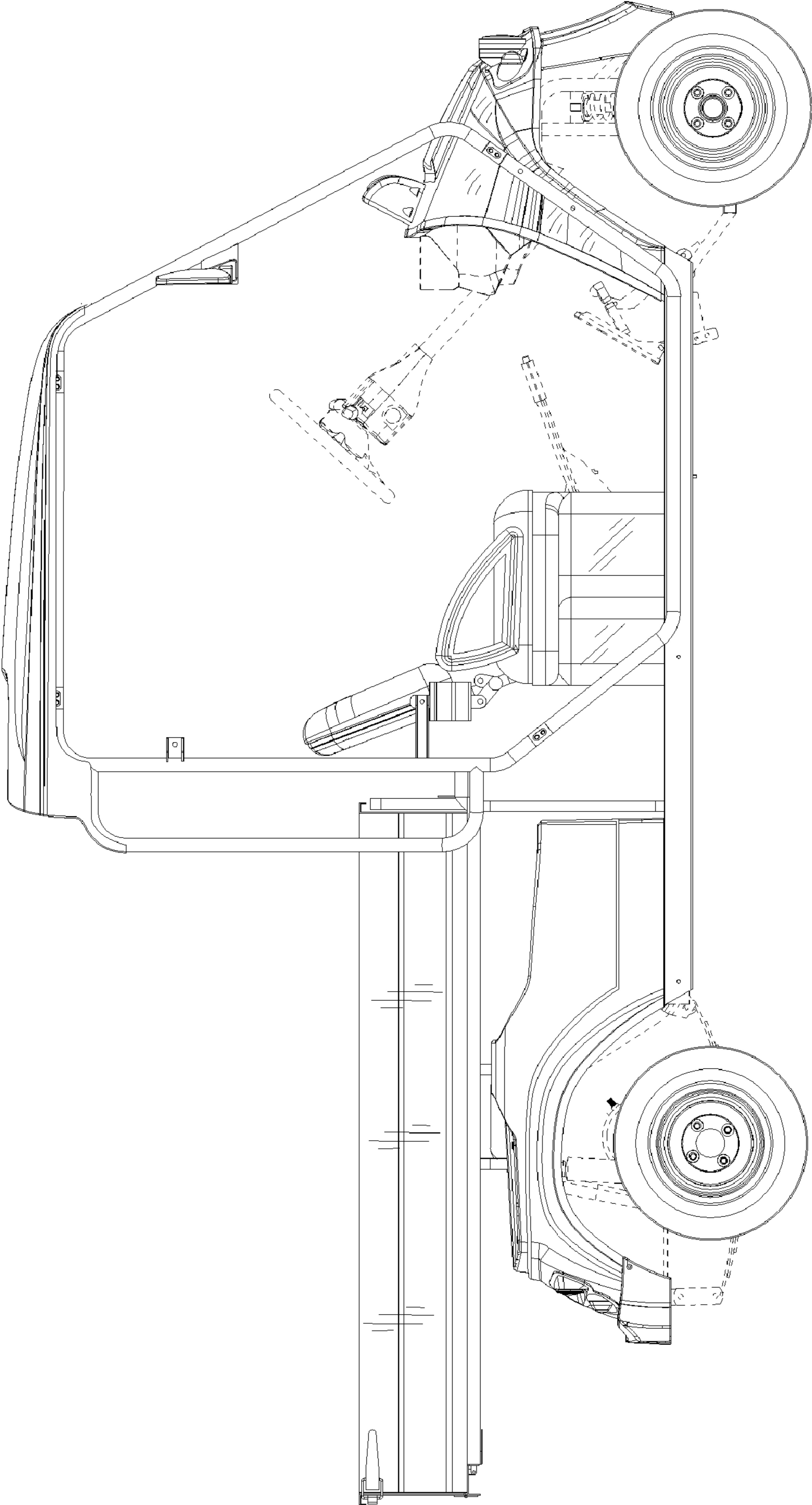


FIG.4

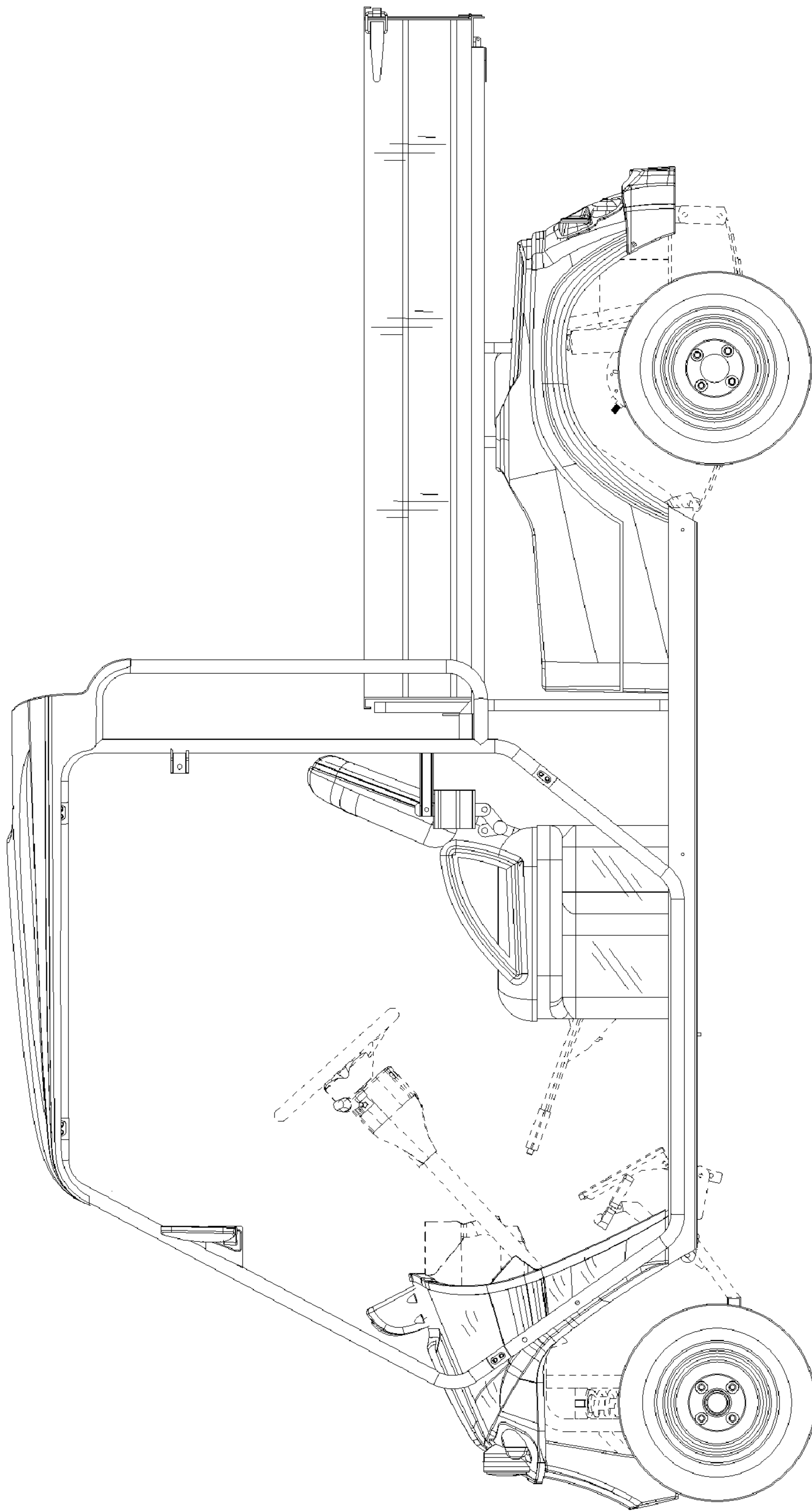


FIG.5

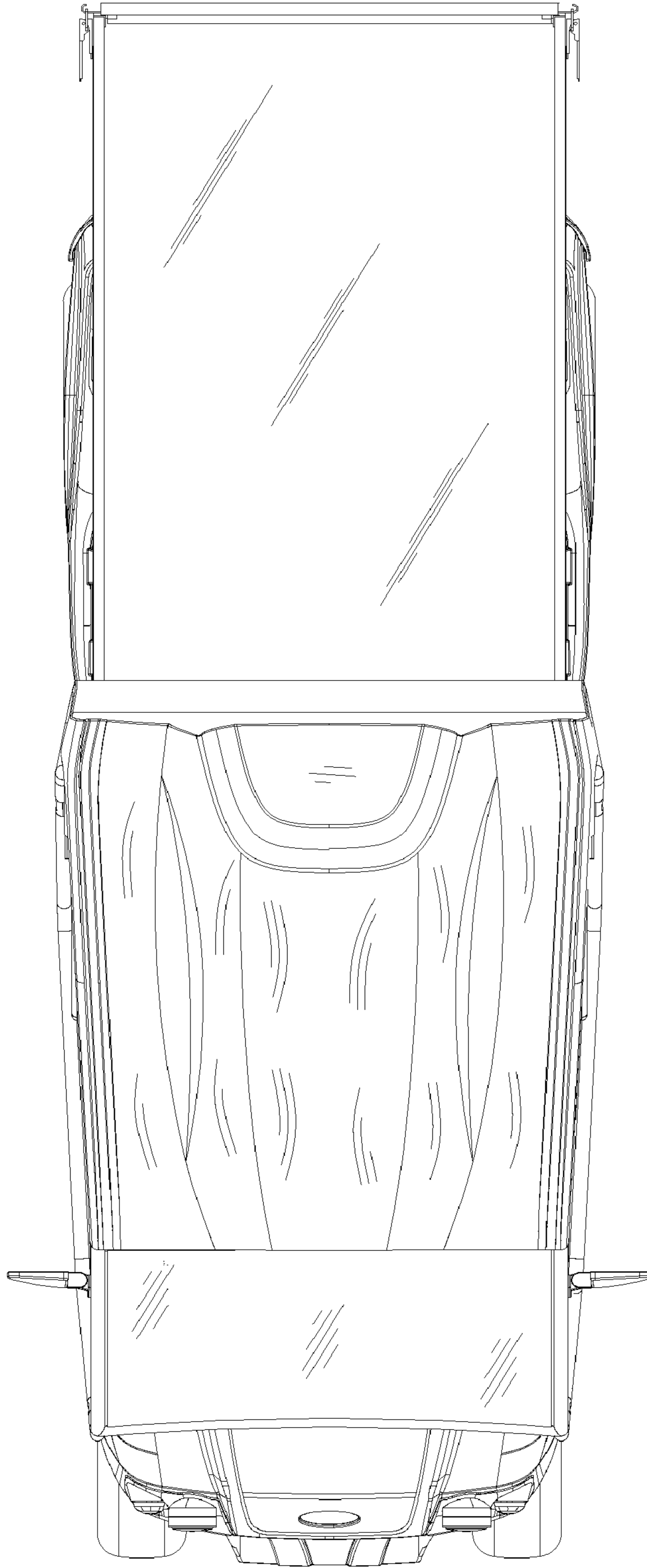


FIG.6

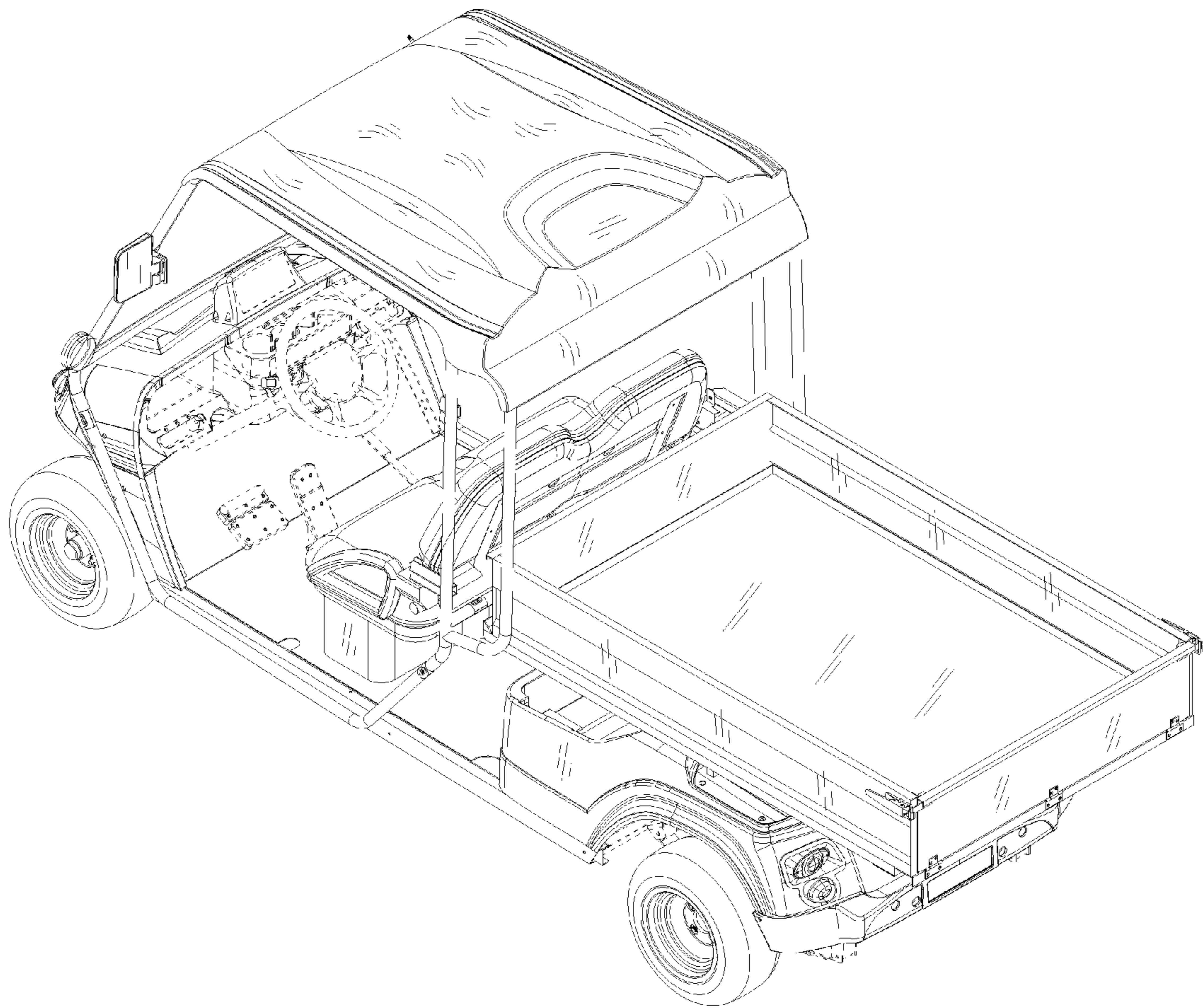


FIG.7