



US00D646599S

(12) **United States Design Patent**  
**Chen et al.**

(10) **Patent No.:** **US D646,599 S**  
(45) **Date of Patent:** **\*\* Oct. 11, 2011**

(54) **SCAN TOOL**

(76) Inventors: **Ieon Chen**, Laguna Hills, CA (US);  
**John Protti**, Long Beach, CA (US)

(\*\*) Term: **14 Years**

(21) Appl. No.: **29/379,319**

(22) Filed: **Nov. 17, 2010**

(51) **LOC (9) Cl.** ..... **10-04**

(52) **U.S. Cl.** ..... **D10/78**

(58) **Field of Classification Search** ..... D10/78;  
D14/203.3, 203.7, 341, 346, 347, 138 AA,  
D14/507, 426; 324/76.12, 426, 500; 340/438,  
340/439; 701/24, 29-35; 702/119, 123,  
702/182, 183; 714/E11.207; 717/136, 142,  
717/143

See application file for complete search history.

6,988,053	B2	1/2006	Namaky	
7,073,714	B2	7/2006	Namaky et al.	
7,085,680	B2	8/2006	Huang	
RE39,619	E	5/2007	Andreasen et al.	
D558,621	S	1/2008	Rich et al.	
D559,137	S	1/2008	Protti	
D560,129	S	1/2008	Rich et al.	
D560,527	S	1/2008	Rich et al.	
D563,249	S	3/2008	Chen	
D571,241	S	6/2008	Andreasen et al.	
7,437,227	B2	10/2008	Andreasen et al.	
7,464,000	B2	12/2008	Huang	
D585,315	S *	1/2009	Chang	..... D10/78
D610,586	S	2/2010	Chen	
2003/0060953	A1	3/2003	Chen	
2003/0125851	A1	7/2003	Andreasen et al.	
2004/0016804	A1	1/2004	Namaky et al.	

\* cited by examiner

*Primary Examiner* — Antoine D Davis

(74) *Attorney, Agent, or Firm* — Stetina Brunda Garred & Brucker

(56) **References Cited**

**U.S. PATENT DOCUMENTS**

D359,040	S	6/1995	Nakamura et al.	
5,541,840	A	7/1996	Gurne et al.	
5,875,413	A	2/1999	Vinci	
D433,017	S	10/2000	Martinez	
6,181,992	B1	1/2001	Gurne et al.	
D439,898	S	4/2001	Ober et al.	
D467,918	S	12/2002	Fitch et al.	
D469,367	S	1/2003	Mirabelli et al.	
D475,033	S	5/2003	Lehtonen	
D476,911	S *	7/2003	Chen	..... D10/78
D478,016	S *	8/2003	Chen	..... D10/78
6,687,584	B2	2/2004	Andreasen et al.	
D498,475	S	11/2004	Byun	
D501,145	S *	1/2005	Bras et al.	..... D10/78
6,940,270	B2	9/2005	Chen	
D510,287	S	10/2005	Chen et al.	

(57) **CLAIM**

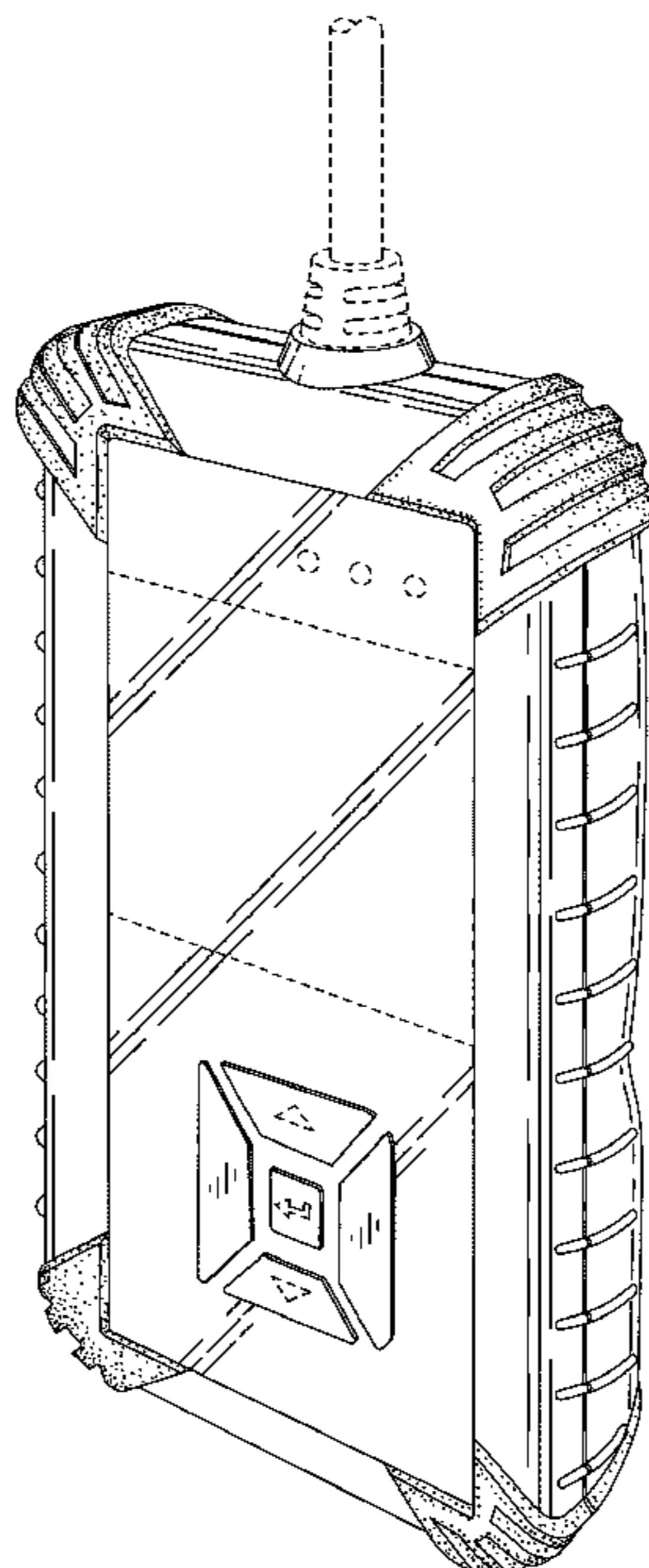
The ornamental design for a scan tool, as shown and described.

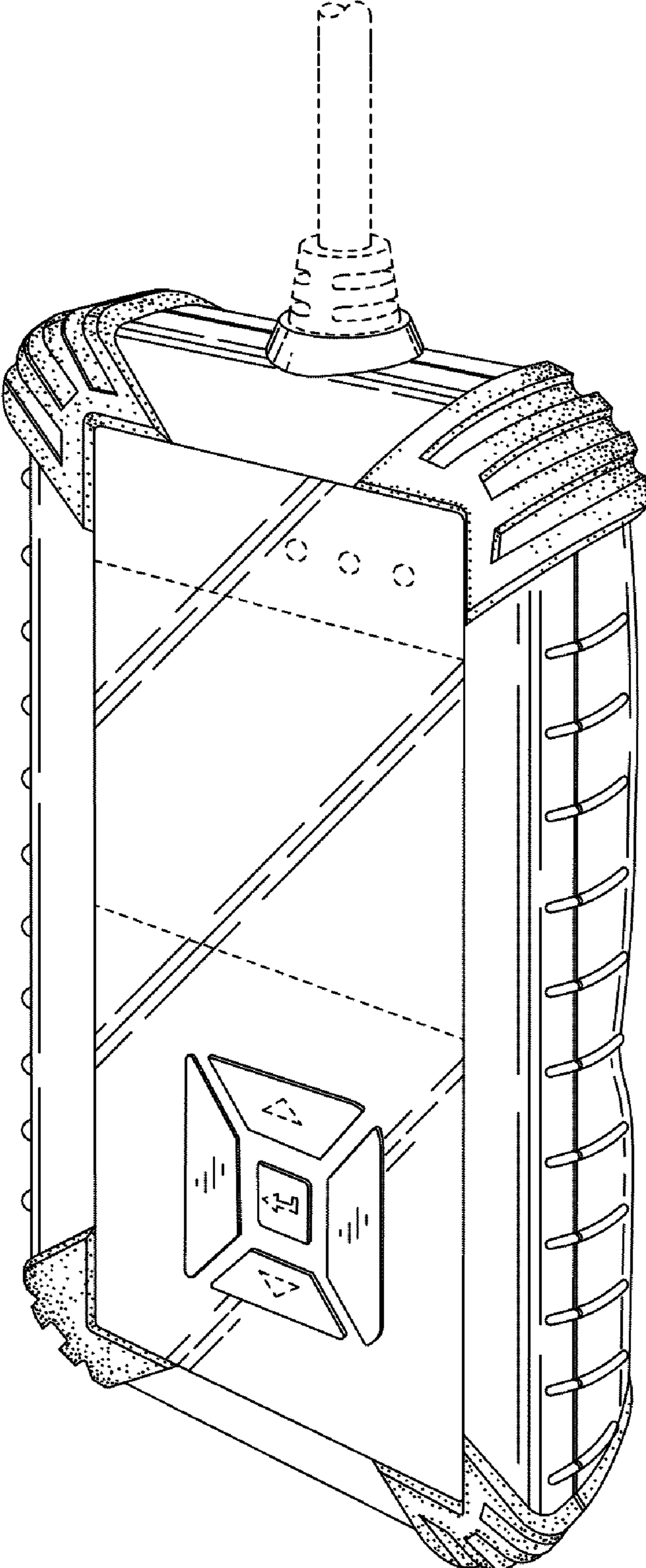
**DESCRIPTION**

FIG. 1 is a front perspective view of the invention;  
FIG. 2 is a top view of the invention;  
FIG. 3 is a side view of the invention;  
FIG. 4 is a front view of the invention;  
FIG. 5 is a rear view of the invention; and,  
FIG. 6 is a bottom view of the invention.

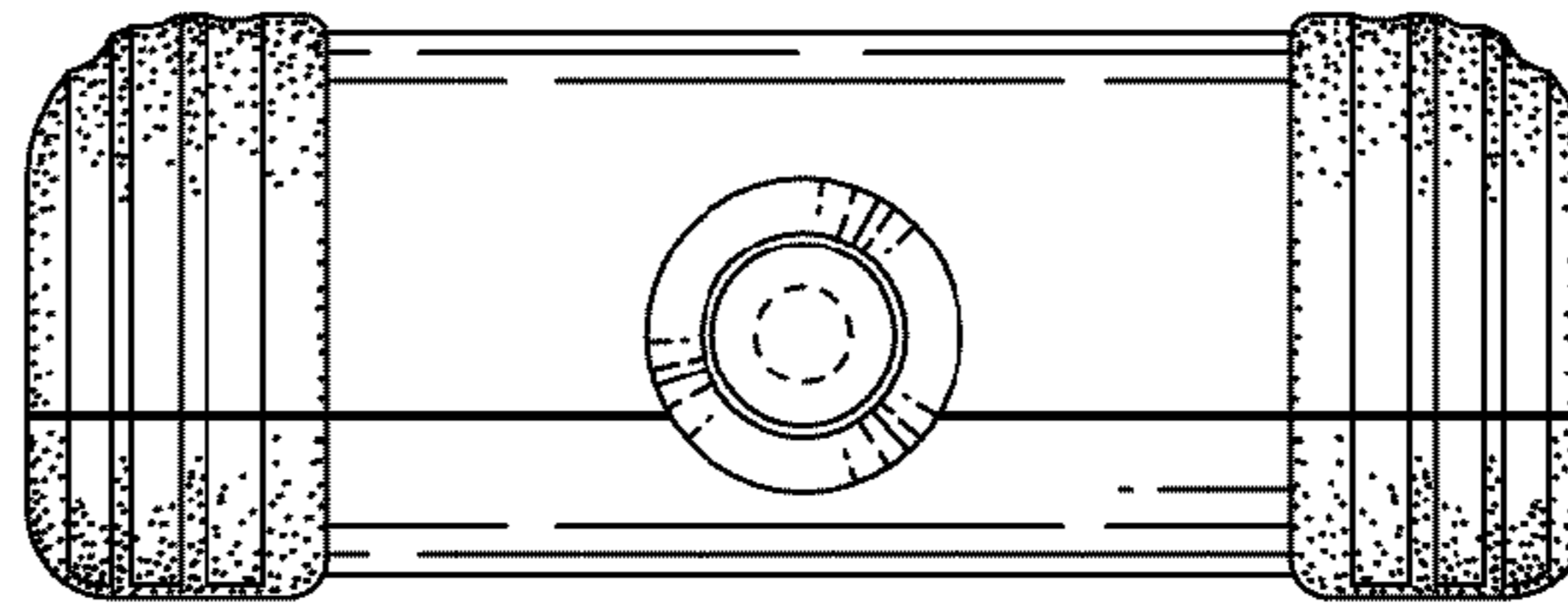
The broken line showing of structural feature is included for the purpose of illustrating non-claimed subject matter and forms no part of the claimed design.

**1 Claim, 3 Drawing Sheets**

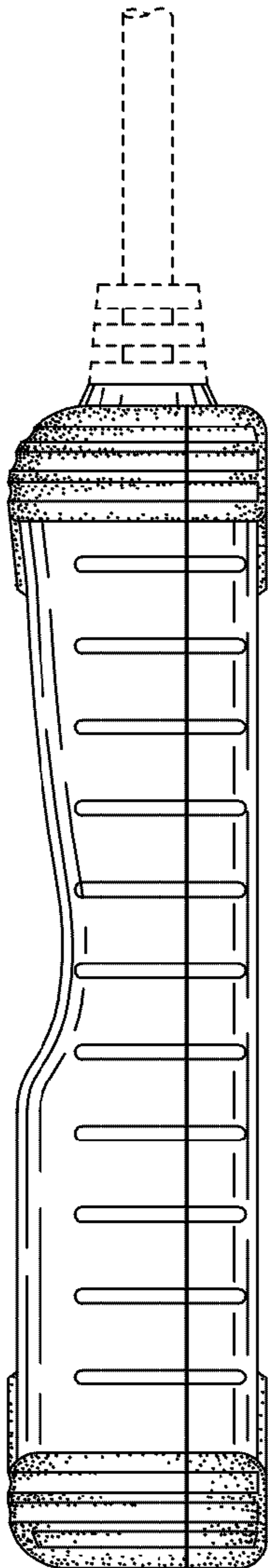




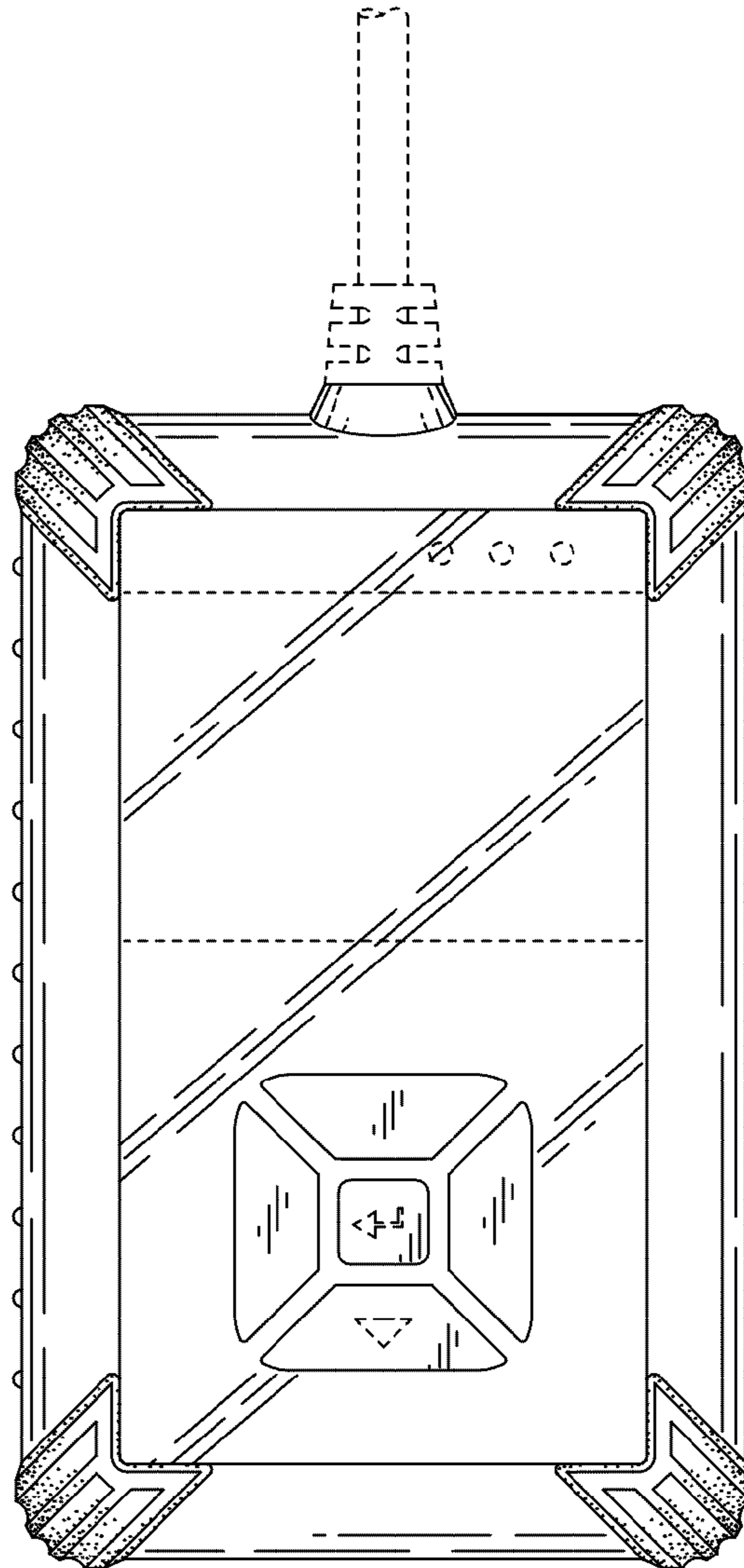
*Fig. 1*



*Fig. 2*

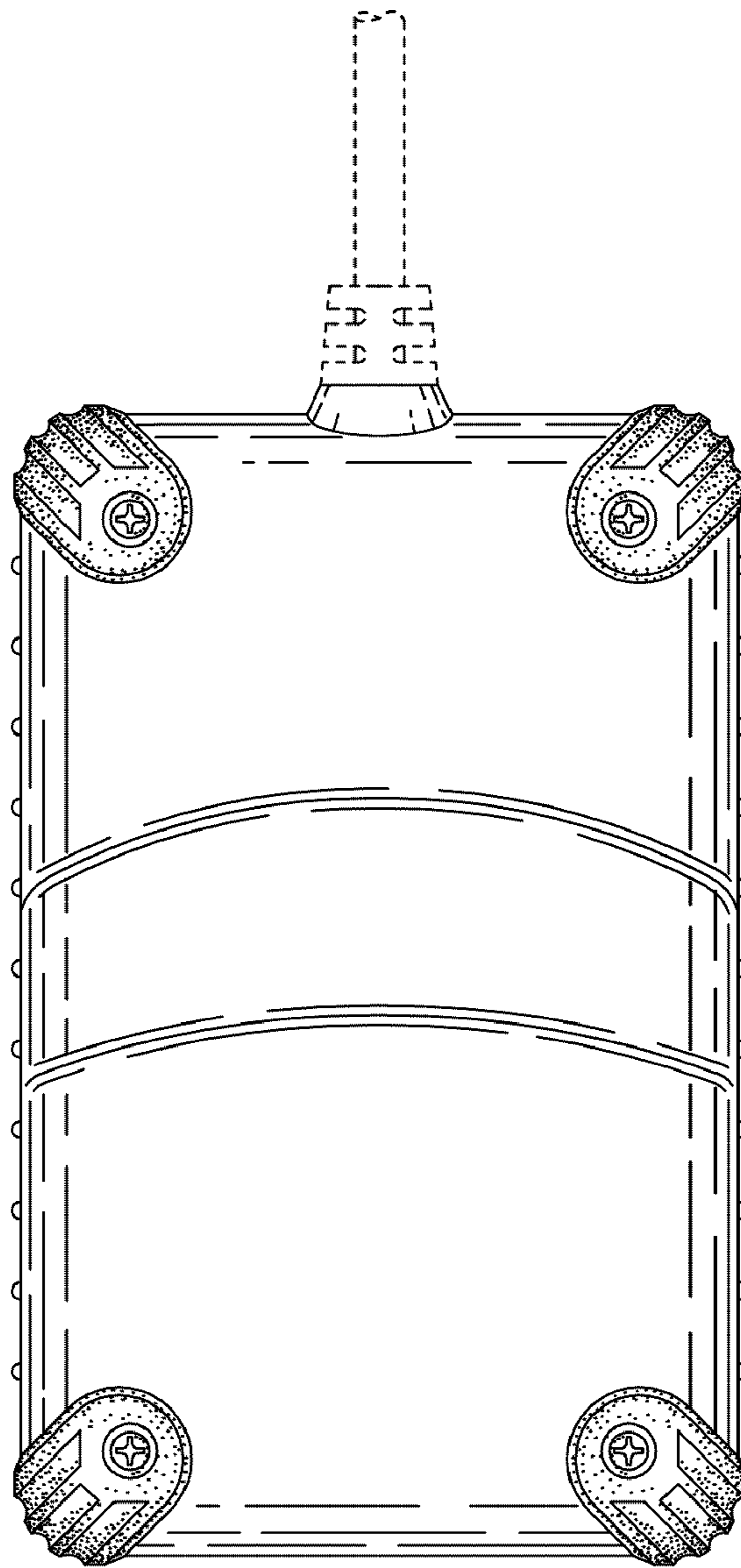


*Fig. 3*

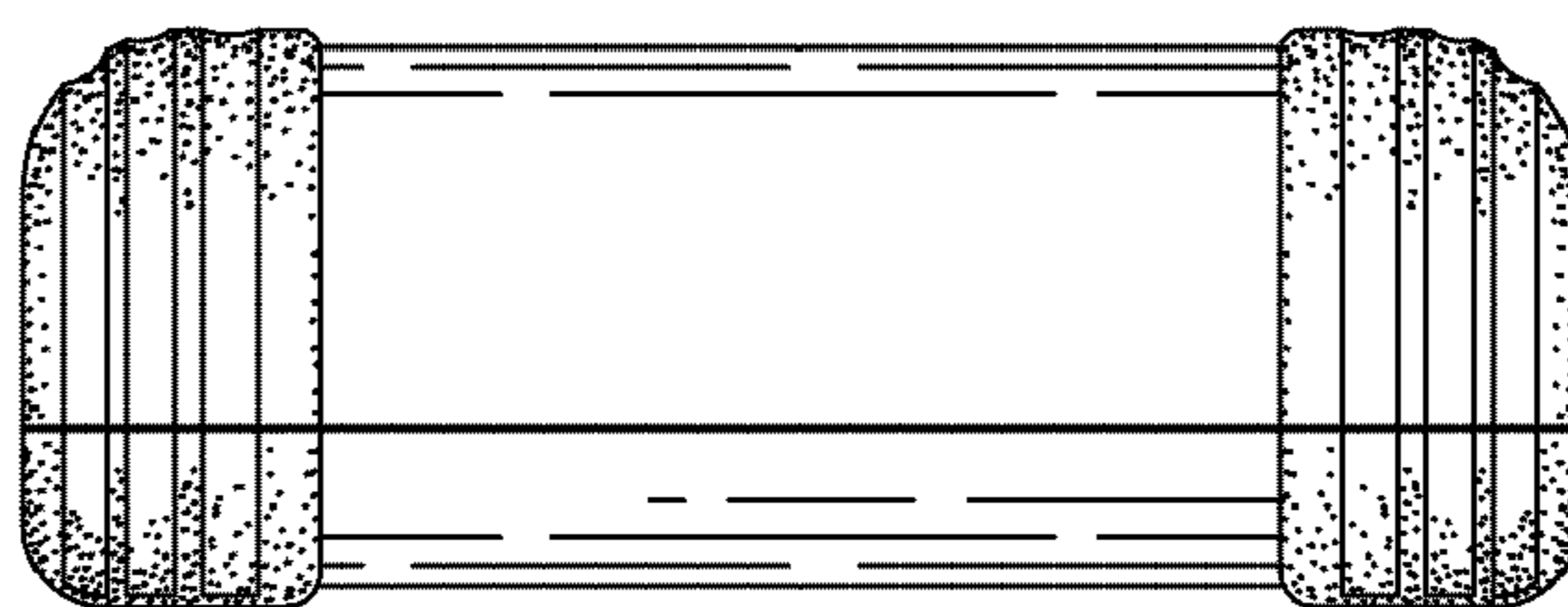


*Fig. 4*





*Fig. 5*



*Fig. 6*