



US00D646597S

(12) **United States Design Patent**
Allemand

(10) **Patent No.:** **US D646,597 S**

(45) **Date of Patent:** **** Oct. 11, 2011**

(54) **LEVEL TOOL**

(75) Inventor: **James S. Allemand**, Mokena, IL (US)

(73) Assignee: **Swanson Tool Company, Inc.**,
Frankfort, IL (US)

(**) Term: **14 Years**

(21) Appl. No.: **29/364,968**

(22) Filed: **Jun. 30, 2010**

(51) **LOC (9) Cl.** **10-04**

(52) **U.S. Cl.** **D10/69**

(58) **Field of Classification Search** D10/69;
33/365, 366.11-366.27, 367-391

See application file for complete search history.

(56) **References Cited**

U.S. PATENT DOCUMENTS

D628,914 S * 12/2010 Kim et al. D10/69

* cited by examiner

Primary Examiner — Antoine D Davis

(74) *Attorney, Agent, or Firm* — Brinks Hofer Gilson & Lione

(57) **CLAIM**

The ornamental design for a level tool, as shown and described.

DESCRIPTION

FIG. 1 is a top front perspective view of my new, original and ornamental design for a level tool;

FIG. 2 is a front elevation view thereof;

FIG. 3 is a rear elevation view thereof;

FIG. 4 is a front end view thereof; and

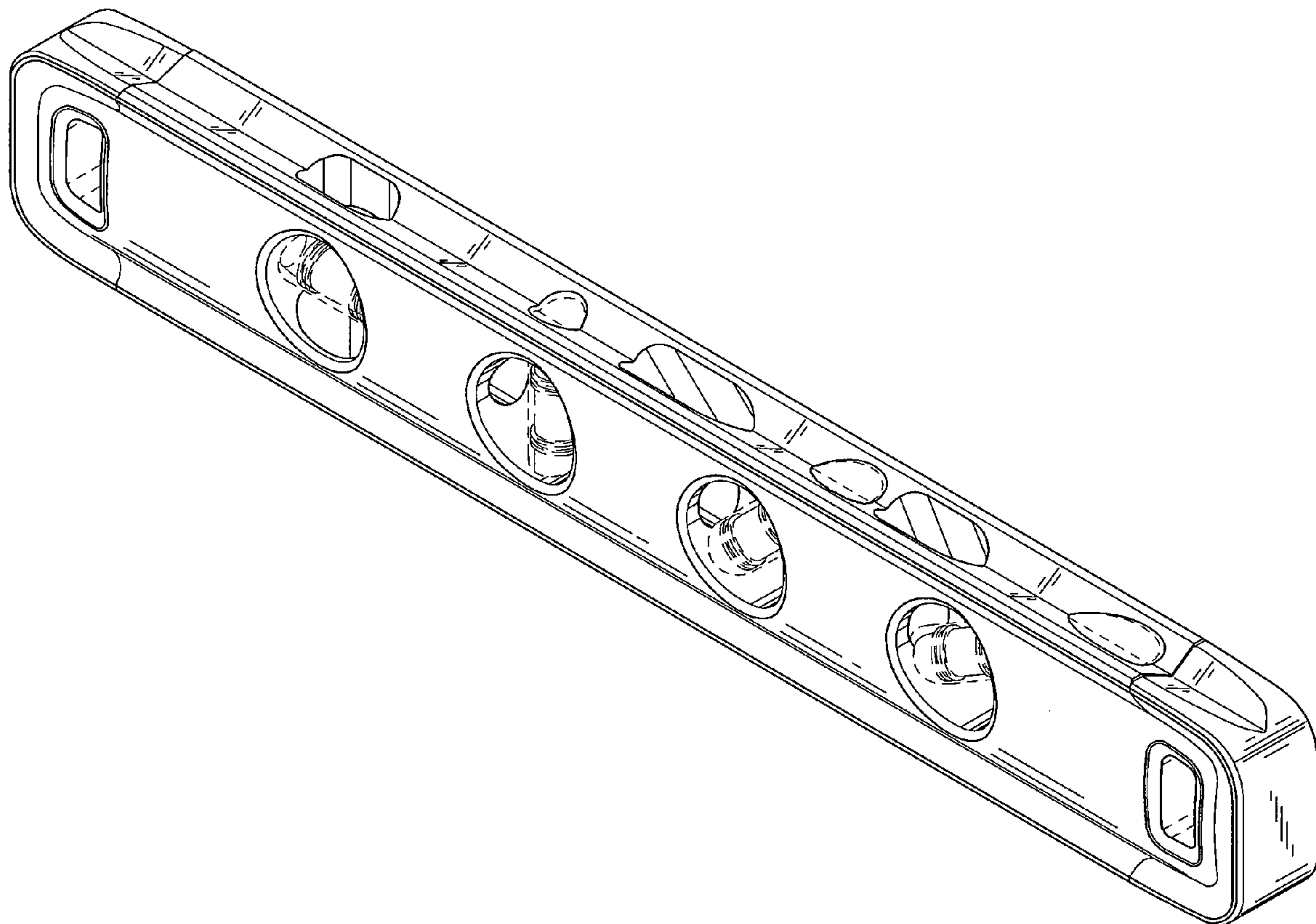
FIG. 5 is a rear end view thereof.

FIG. 6 is a top plan view thereof; and,

FIG. 7 is a bottom plan view thereof.

The broken lines in the drawings are for illustrative purposes only and form no part of the claimed design. The shading lines in the drawings show contour and are not intended to indicate surface ornamentation.

1 Claim, 4 Drawing Sheets



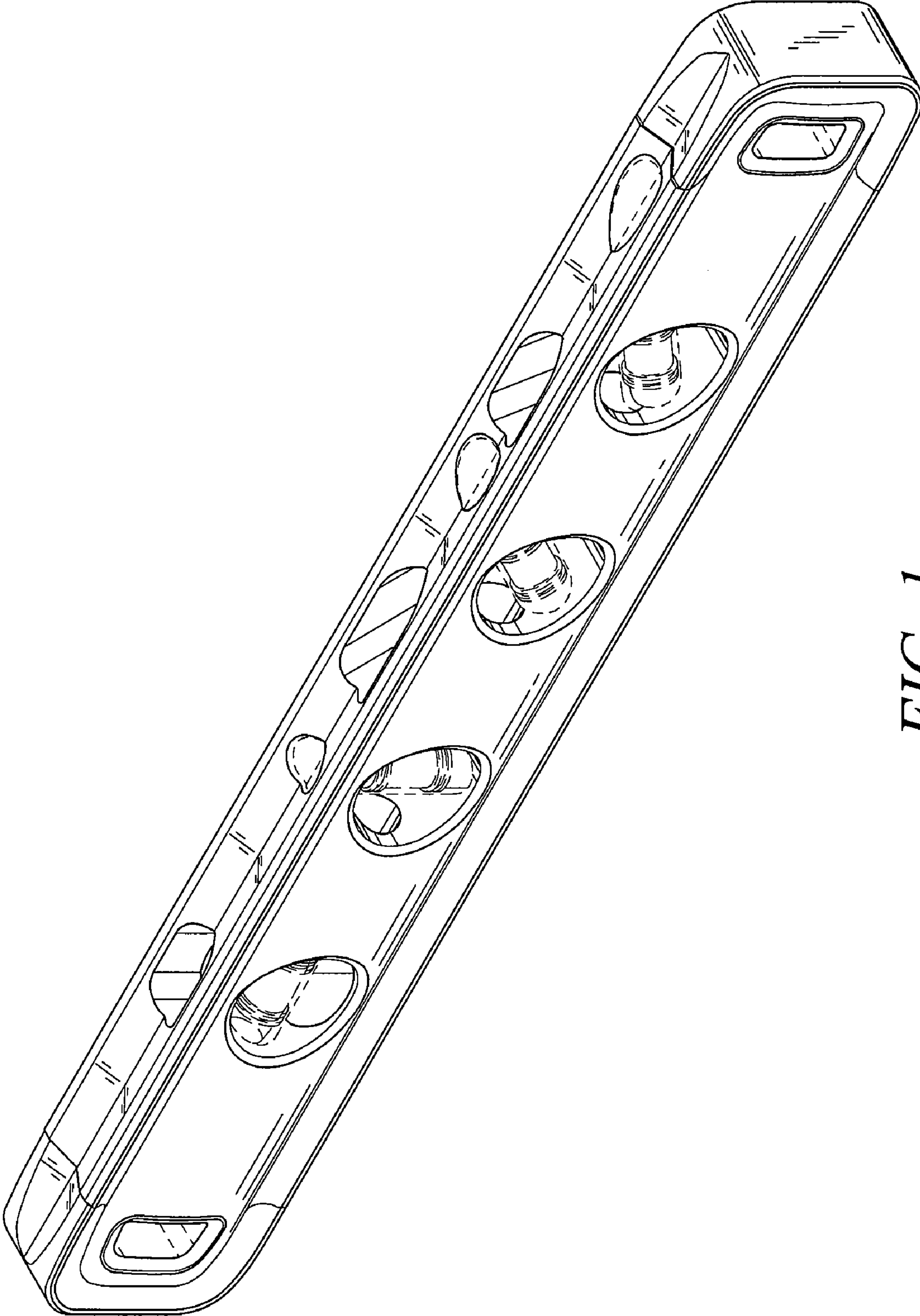


FIG. 1

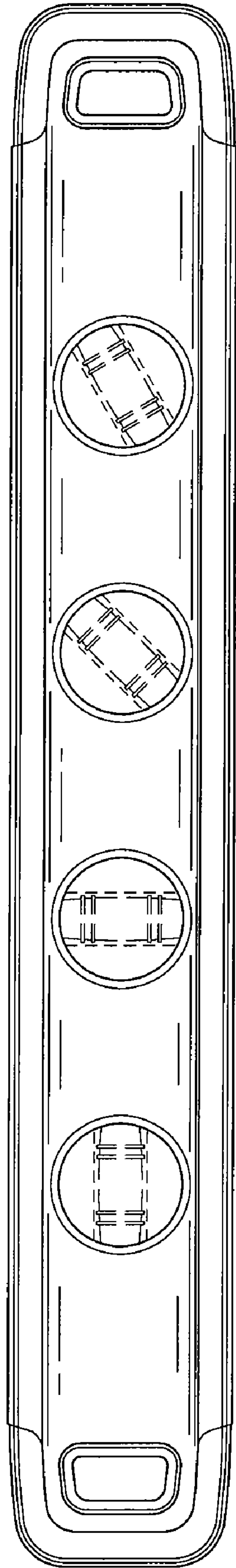


FIG. 2

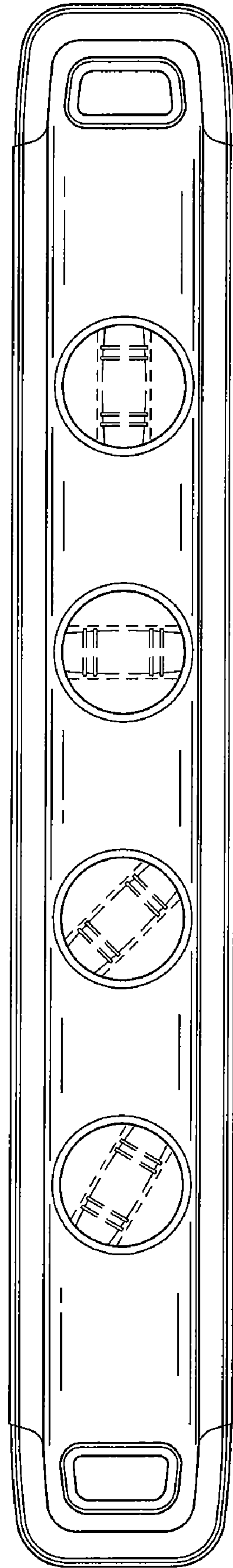


FIG. 3

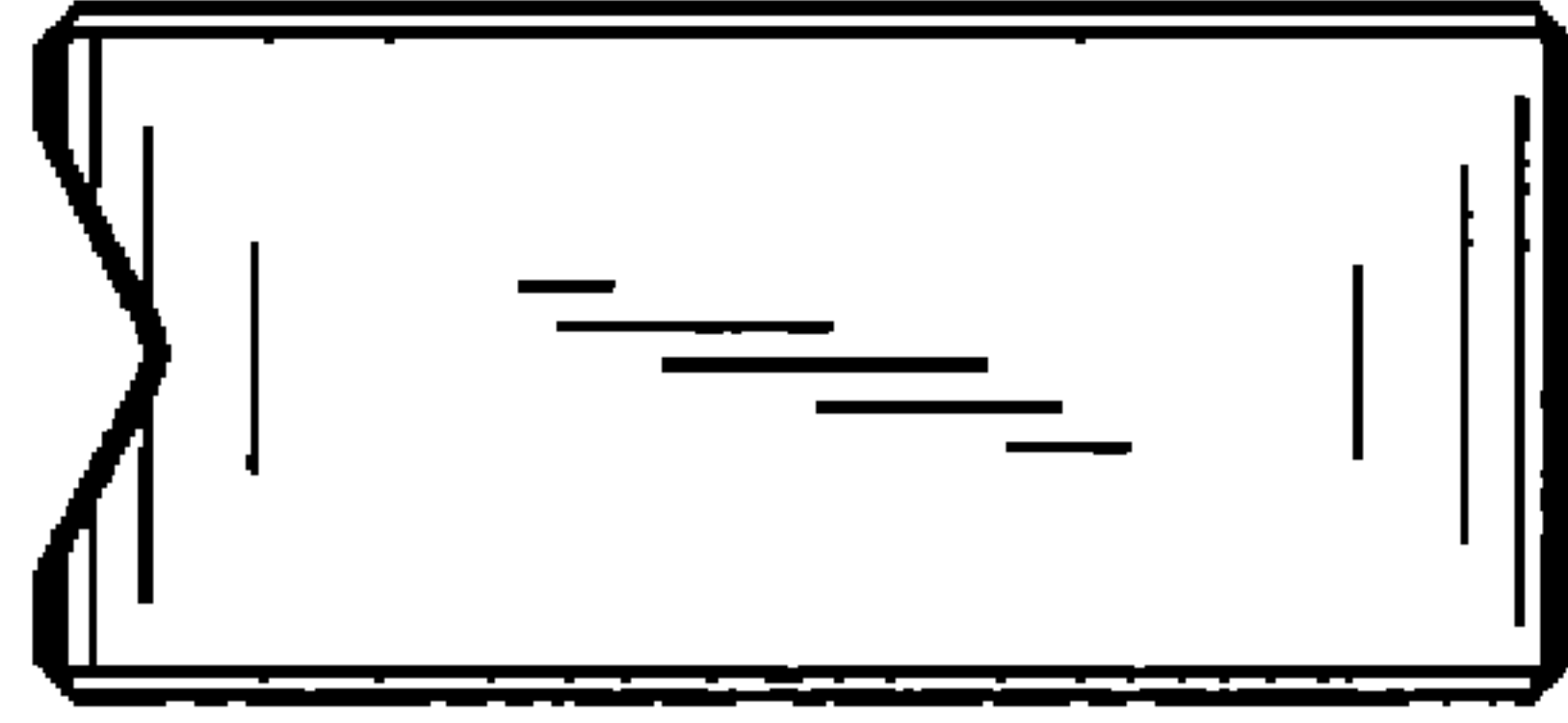


FIG. 4

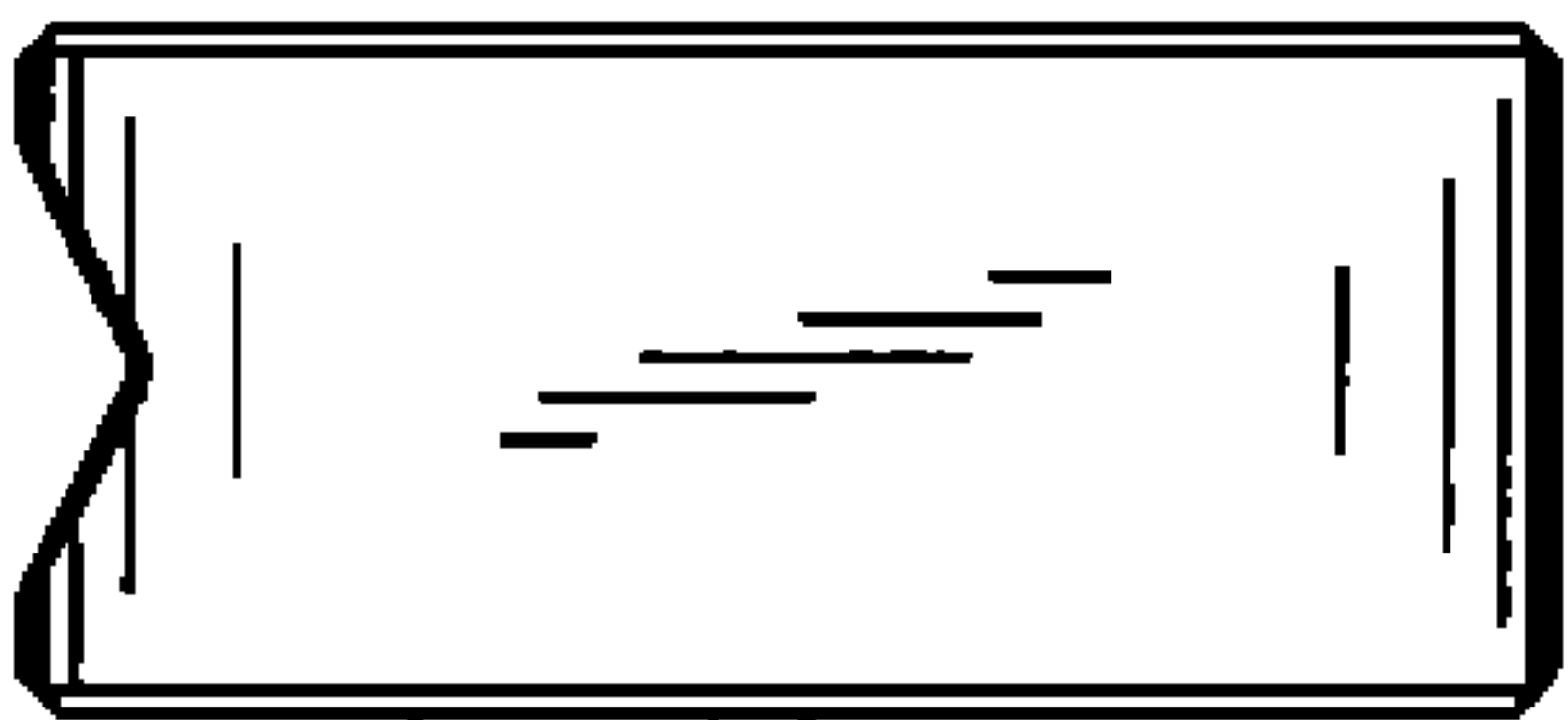


FIG. 5

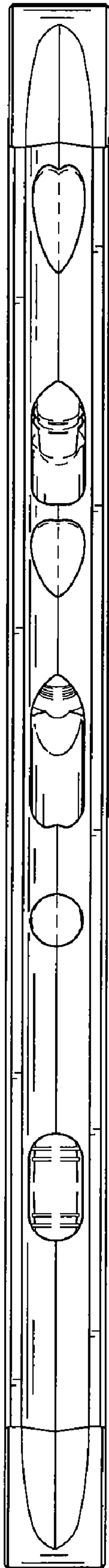


FIG. 6

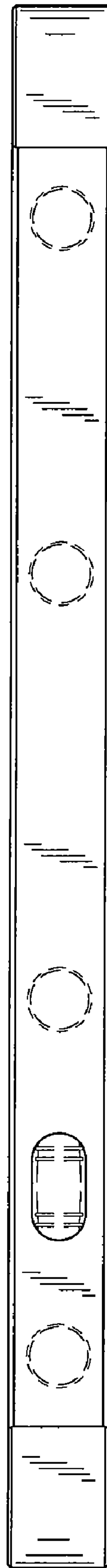


FIG. 7