



US00D646594S

(12) **United States Design Patent**
Allemand

(10) **Patent No.:** **US D646,594 S**

(45) **Date of Patent:** **** Oct. 11, 2011**

(54) **LEVEL TOOL**

(75) Inventor: **James S. Allemand**, Mokena, IL (US)

(73) Assignee: **Swanson Tool Company, Inc.**,
Frankfort, IL (US)

(**) Term: **14 Years**

(21) Appl. No.: **29/364,965**

(22) Filed: **Jun. 30, 2010**

(51) **LOC (9) Cl.** **10-04**

(52) **U.S. Cl.** **D10/69**

(58) **Field of Classification Search** D10/69;
33/365, 366.11-366.27, 367-391

See application file for complete search history.

(56) **References Cited**

U.S. PATENT DOCUMENTS

D479,139 S *	9/2003	Kallabis et al.	D10/69
D503,636 S *	4/2005	Kim	D10/69
D582,808 S *	12/2008	Cook	D10/69
7,509,749 B1 *	3/2009	Stefanko	33/451

D598,308 S *	8/2009	Gofer	D10/69
7,770,298 B1 *	8/2010	Wojciechowski et al.	33/365
D623,544 S *	9/2010	Kim et al.	D10/69

* cited by examiner

Primary Examiner — Antoine D Davis

(74) *Attorney, Agent, or Firm* — Brinks Hofer Gilson & Lione

(57) **CLAIM**

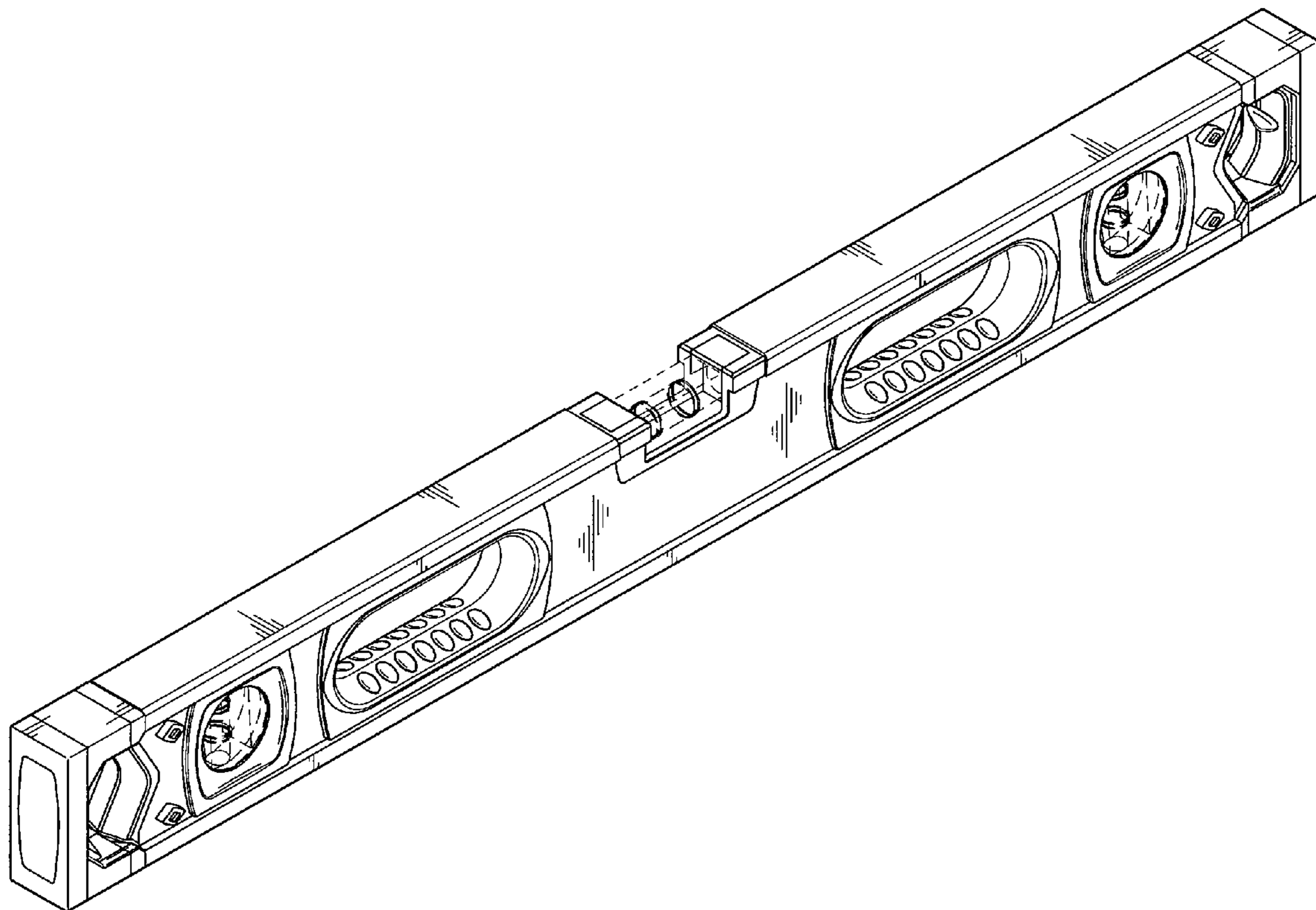
The ornamental design for a level tool, as shown and described.

DESCRIPTION

FIG. 1 is a top front perspective view of my new, original and ornamental design for a level tool;
FIG. 2 is a front elevation view thereof;
FIG. 3 is a rear elevation view thereof;
FIG. 4 is a front end view thereof; and
FIG. 5 is a rear end view thereof.
FIG. 6 is a top plan view thereof; and,
FIG. 7 is a bottom plan view thereof.

The broken lines in the drawings are for illustrative purposes only and form no part of the claimed design. The shading lines in the drawings show contour and are not intended to indicate surface ornamentation.

1 Claim, 4 Drawing Sheets



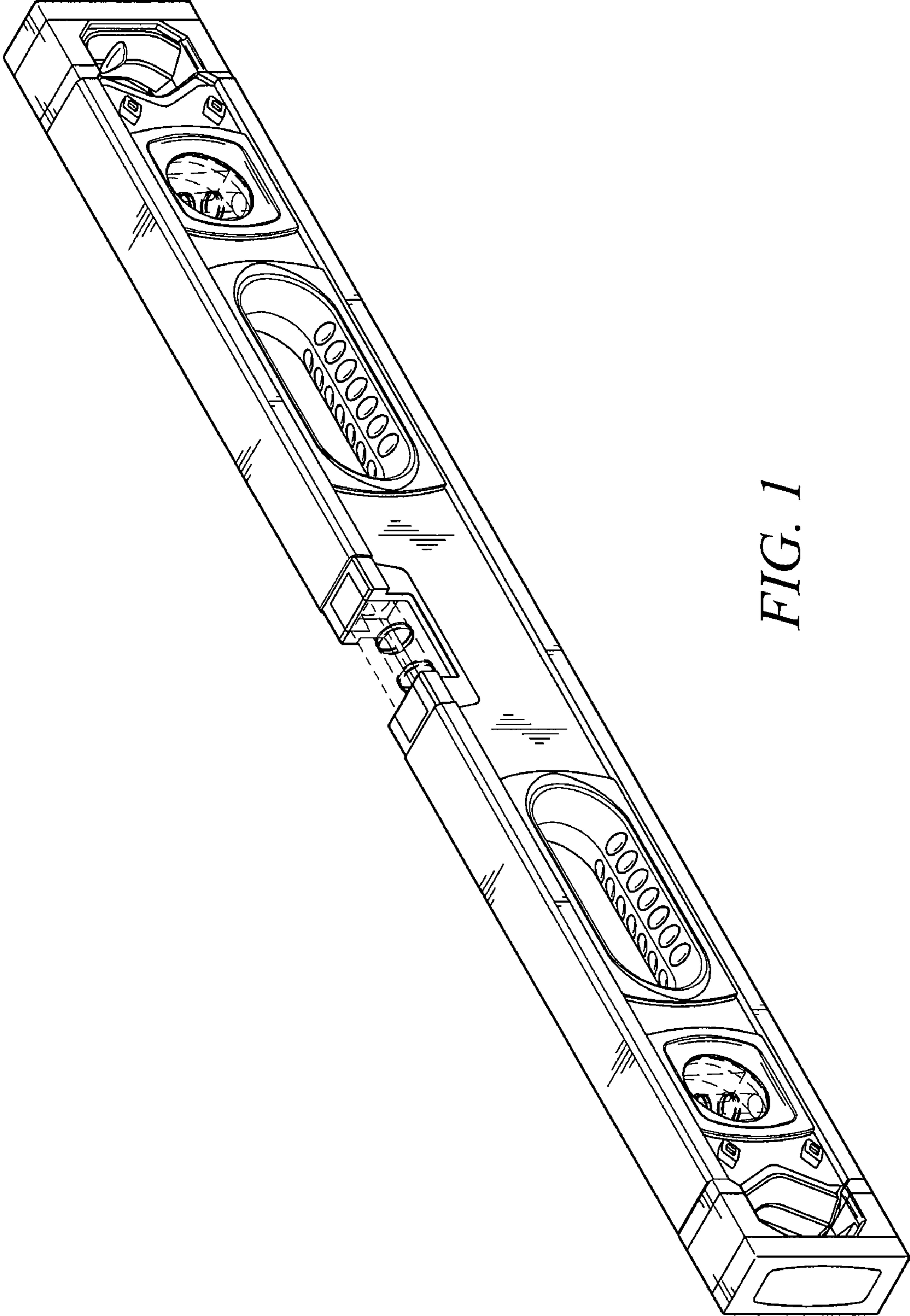


FIG. 1

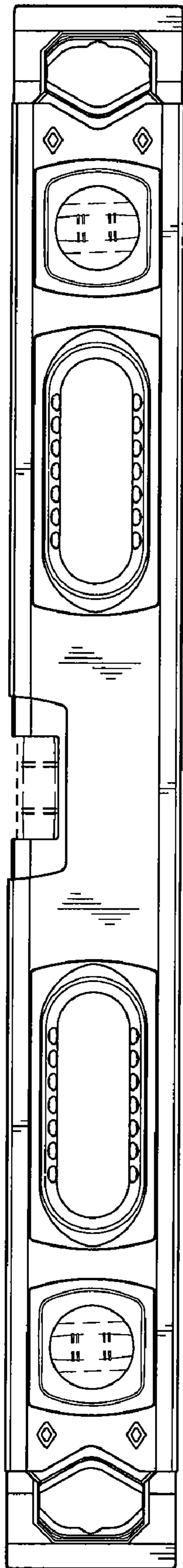


FIG. 2

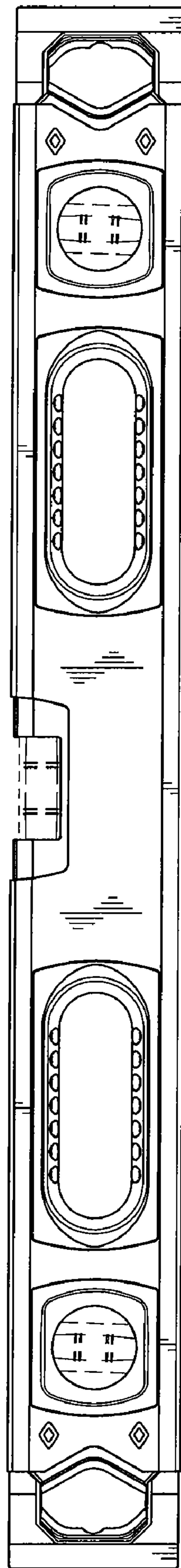


FIG. 3

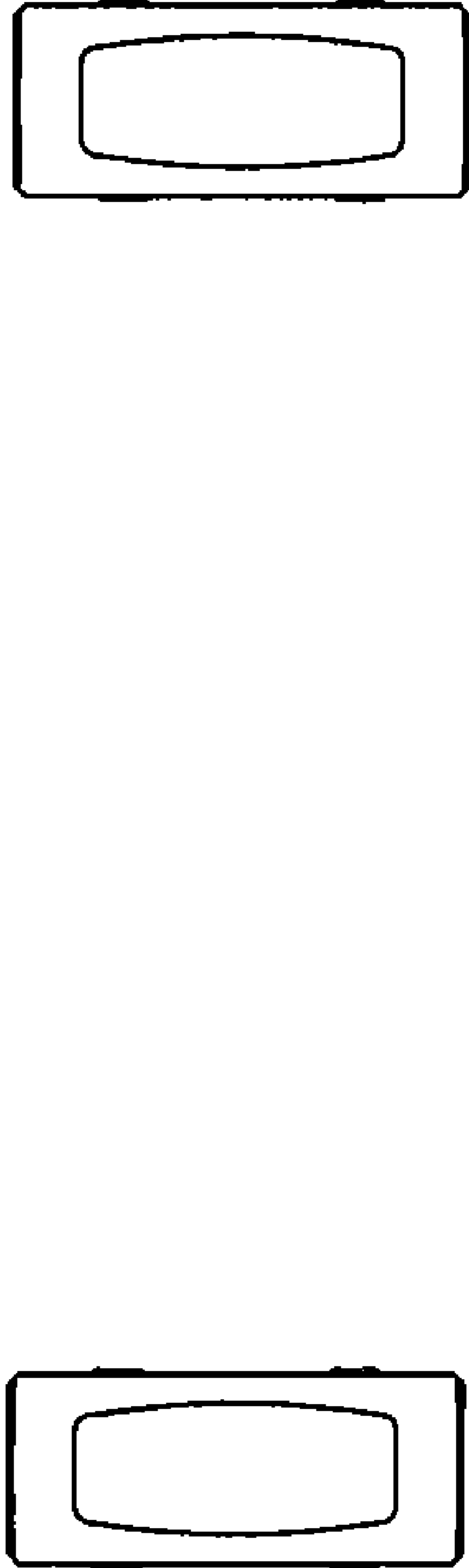


FIG. 4

FIG. 5

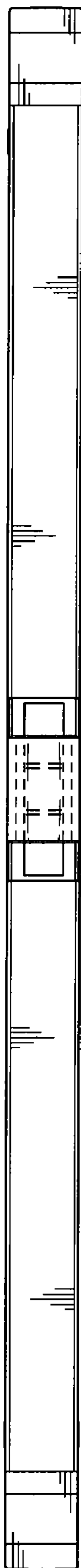


FIG. 6

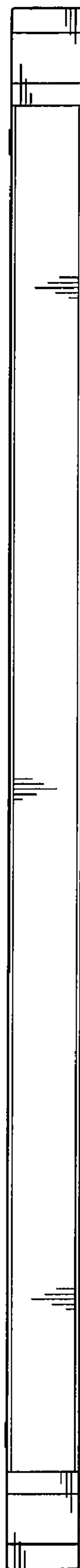


FIG. 7