



US00D646589S

(12) **United States Design Patent**  
**Mille**

(10) **Patent No.:** **US D646,589 S**

(45) **Date of Patent:** **\*\* Oct. 11, 2011**

(54) **WATCH**

(75) **Inventor:** **Richard Mille, Moulins (FR)**

(73) **Assignee:** **Turlen Holding SA, Delemont (CH)**

(\*\*) **Term:** **14 Years**

(21) **Appl. No.:** **29/391,044**

(22) **Filed:** **May 3, 2011**

(30) **Foreign Application Priority Data**

Nov. 3, 2010 (WO) ..... DM/074 668

(51) **LOC (9) Cl.** ..... **10-02**

(52) **U.S. Cl.** ..... **D10/39**

(58) **Field of Classification Search** ..... D10/30-39,  
D10/122-132; 368/276, 281, 282, 285, 223,  
368/232, 80, 228

See application file for complete search history.

(56) **References Cited**

**U.S. PATENT DOCUMENTS**

D78,044 S *	3/1929	Streng	.....	D10/126
D297,125 S *	8/1988	Grinberg	.....	D10/39
D339,751 S *	9/1993	Besson	.....	D10/39
D438,473 S *	3/2001	Dumas	.....	D10/39
D457,818 S *	5/2002	Avranches	.....	D10/39
D477,236 S *	7/2003	Robert-Tissot	.....	D10/39
D505,342 S *	5/2005	Hayek	.....	D10/39
D519,390 S *	4/2006	Lovegrove	.....	D10/39
D528,443 S *	9/2006	Bedat	.....	D10/39
D530,628 S *	10/2006	Raffy	.....	D10/32

D538,182 S *	3/2007	Lalo	.....	D10/32
D538,184 S *	3/2007	Scheufele	.....	D10/39
D549,113 S *	8/2007	Duong	.....	D10/32
D560,515 S *	1/2008	Finazzi	.....	D10/39
D562,156 S *	2/2008	Pozzan	.....	D10/39
D568,180 S *	5/2008	Laucella	.....	D10/39
D570,230 S *	6/2008	Monachon	.....	D10/32
D570,231 S *	6/2008	Actis-Datta	.....	D10/38
D573,488 S *	7/2008	Sanz	.....	D10/39
D574,736 S *	8/2008	Actis-Datta	.....	D10/38
D579,793 S *	11/2008	Hayek	.....	D10/39
D585,310 S *	1/2009	Allison	.....	D10/39
D614,523 S *	4/2010	Rabassa et al.	.....	D10/126
D618,565 S *	6/2010	Dolce et al.	.....	D10/38
D623,542 S *	9/2010	Fontana	.....	D10/39
D624,440 S *	9/2010	Wunderman	.....	D10/32
D624,443 S *	9/2010	Cerrato	.....	D10/38
D637,092 S *	5/2011	Mille	.....	D10/32

\* cited by examiner

*Primary Examiner* — Lucy Lieberman

(74) *Attorney, Agent, or Firm* — Collen IP; Donald J. Ranft

(57) **CLAIM**

The ornamental design for a watch, as shown.

**DESCRIPTION**

FIG. 1 is a front view of a watch showing our new design;  
FIG. 2 is a rear view thereof;  
FIG. 3 is a right side view thereof;  
FIG. 4 is left side view thereof;  
FIG. 5 is a bottom view thereof;  
FIG. 6 is a front perspective view thereof; and,  
FIG. 7 is a rear perspective view thereof.

**1 Claim, 7 Drawing Sheets**





Fig. 1



Fig. 2

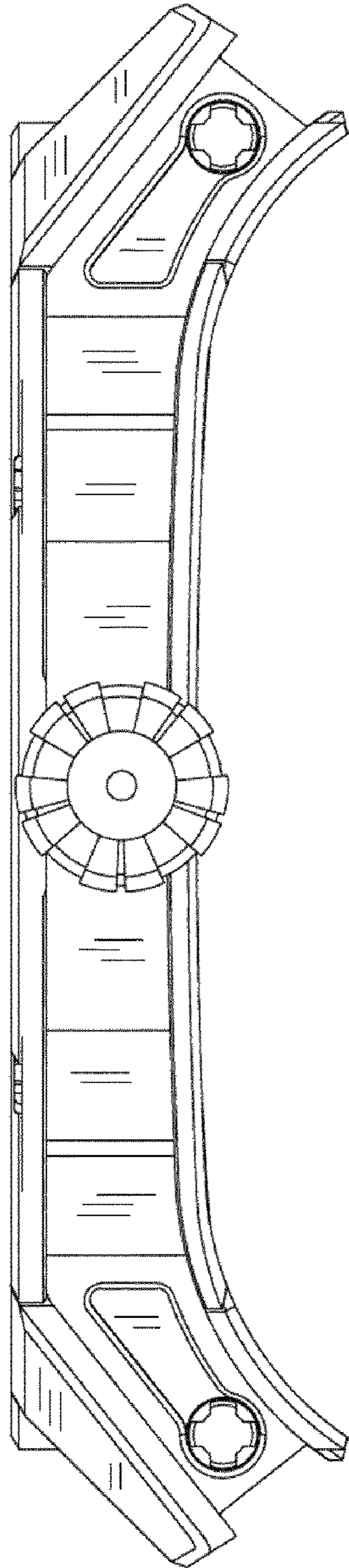


Fig. 3

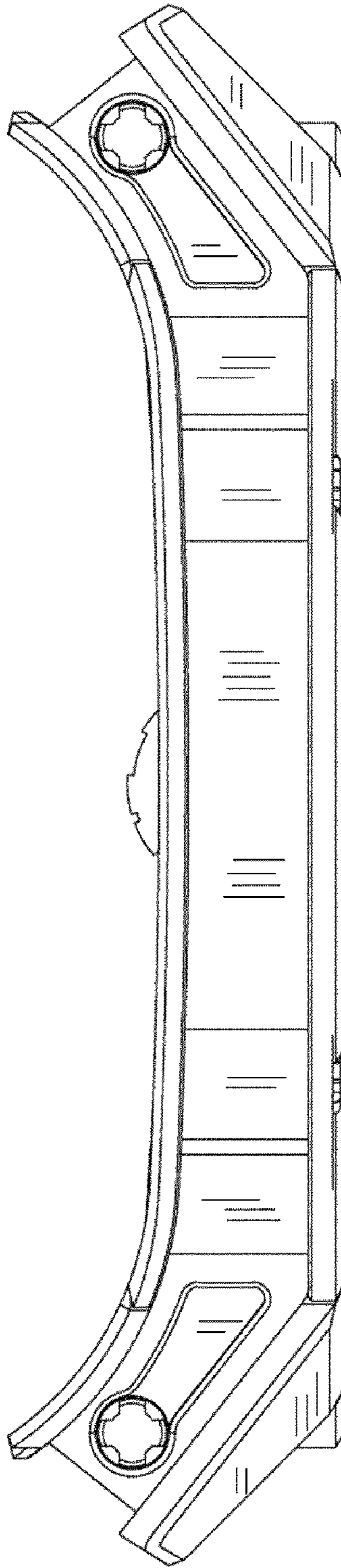


Fig. 4

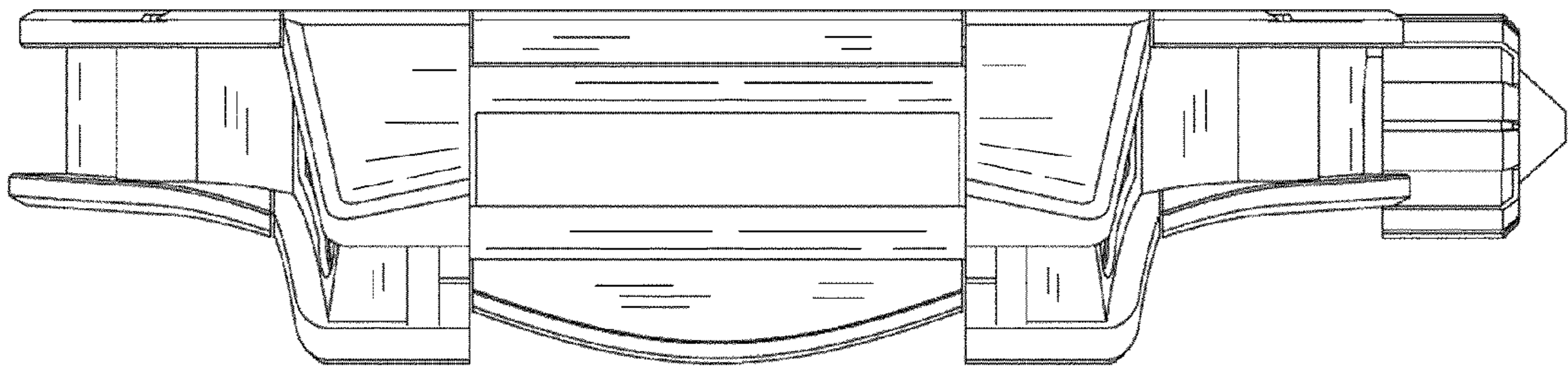


Fig. 5



Fig. 6



Fig. 7