



US00D646588S

(12) **United States Design Patent**  
**Lalo**

(10) **Patent No.:** **US D646,588 S**

(45) **Date of Patent:** **\*\* Oct. 11, 2011**

(54) **WATCH**

(75) **Inventor:** **Eyal Lalo, Hallandale, FL (US)**

(73) **Assignee:** **Invicta Watch Company of America, Inc., Hollywood, FL (US)**

(\*\*) **Term:** **14 Years**

(21) **Appl. No.:** **29/390,683**

(22) **Filed:** **Apr. 28, 2011**

(51) **LOC (9) Cl.** ..... **10-02**

(52) **U.S. Cl.** ..... **D10/38**

(58) **Field of Classification Search** ..... D10/30-39;  
368/276, 278, 281, 282, 285

See application file for complete search history.

(56) **References Cited**

**U.S. PATENT DOCUMENTS**

D295,841 S *	5/1988	Kano	.....	D10/39
D316,228 S *	4/1991	Frommherz	.....	D10/30
D356,266 S *	3/1995	Hosokawa et al.	.....	D9/903
D371,307 S *	7/1996	Tomita et al.	.....	D10/38
D386,421 S *	11/1997	Kennedy	.....	D10/30
D409,501 S *	5/1999	Riley	.....	D10/30
D412,854 S *	8/1999	Oshita	.....	D10/30
D526,574 S *	8/2006	Plange	.....	D10/32
D531,917 S *	11/2006	Jordi	.....	D10/38
D535,198 S *	1/2007	Maeder	.....	D10/32
D547,208 S *	7/2007	Tao	.....	D10/38
D551,101 S *	9/2007	Nataf	.....	D10/38

D566,586 S *	4/2008	Lalo	.....	D10/39
D590,277 S *	4/2009	Wei	.....	D10/38
D590,727 S *	4/2009	Wei	.....	D10/38
D592,080 S *	5/2009	Mijatovic	.....	D10/39
D618,565 S *	6/2010	Dolce et al.	.....	D10/38
D623,541 S *	9/2010	Loth	.....	D10/32
D623,542 S *	9/2010	Fontana	.....	D10/39

\* cited by examiner

*Primary Examiner* — Lucy Lieberman

(74) *Attorney, Agent, or Firm* — Howard Natter; Natter & Natter

(57) **CLAIM**

The ornamental design for a watch, as shown and described.

**DESCRIPTION**

FIG. 1 is a front right side perspective view of a watch showing my new design;

FIG. 2 is a right side elevational view thereof;

FIG. 3 is a top plan view thereof;

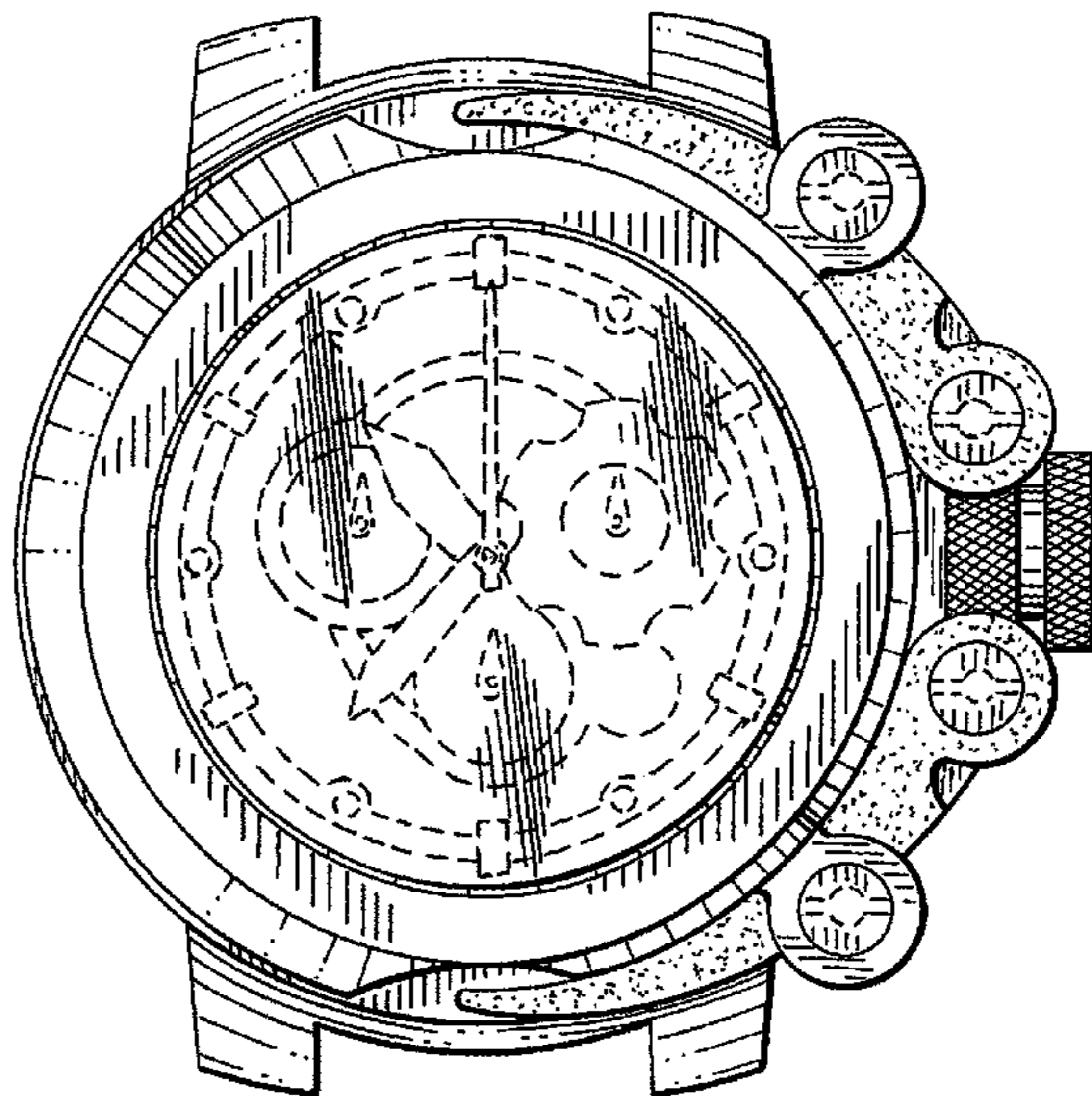
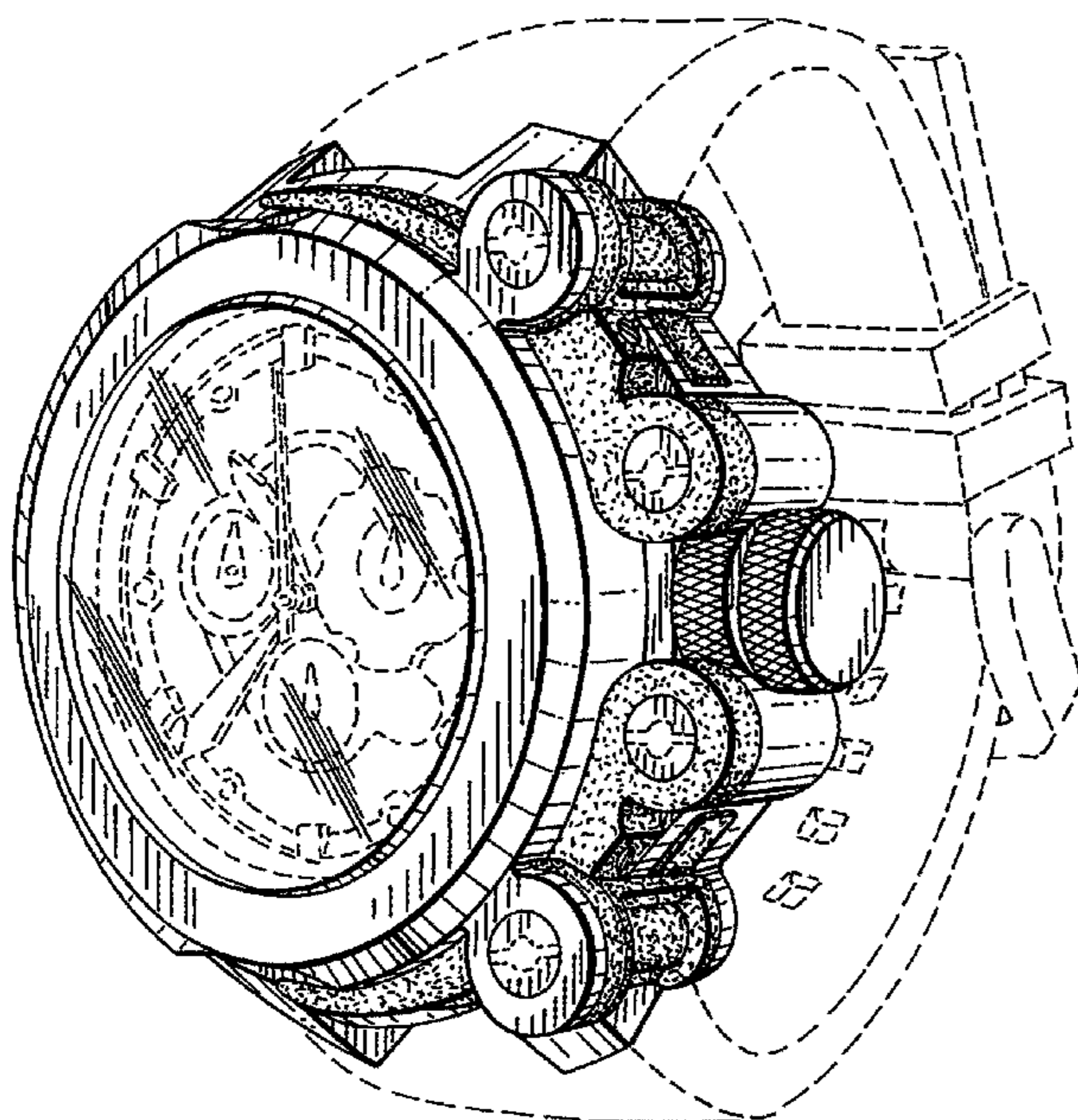
FIG. 4 is a front elevational view thereof;

FIG. 5 is a left side elevational view thereof; and,

FIG. 6 is a rear elevational view thereof.

The bottom plan view is a mirror image of the top plan view. The broken lines in the drawings are used to show unclaimed portions of the watch and an unclaimed watch band.

**1 Claim, 3 Drawing Sheets**



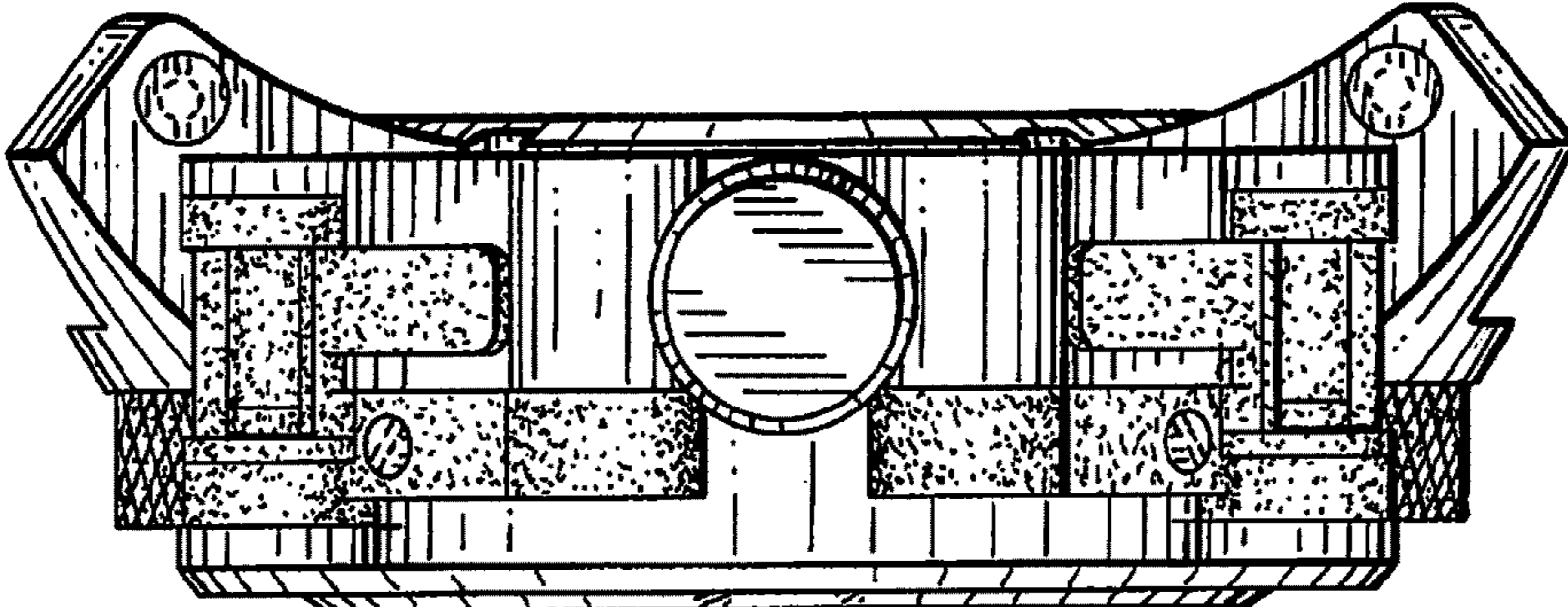


FIG. 2

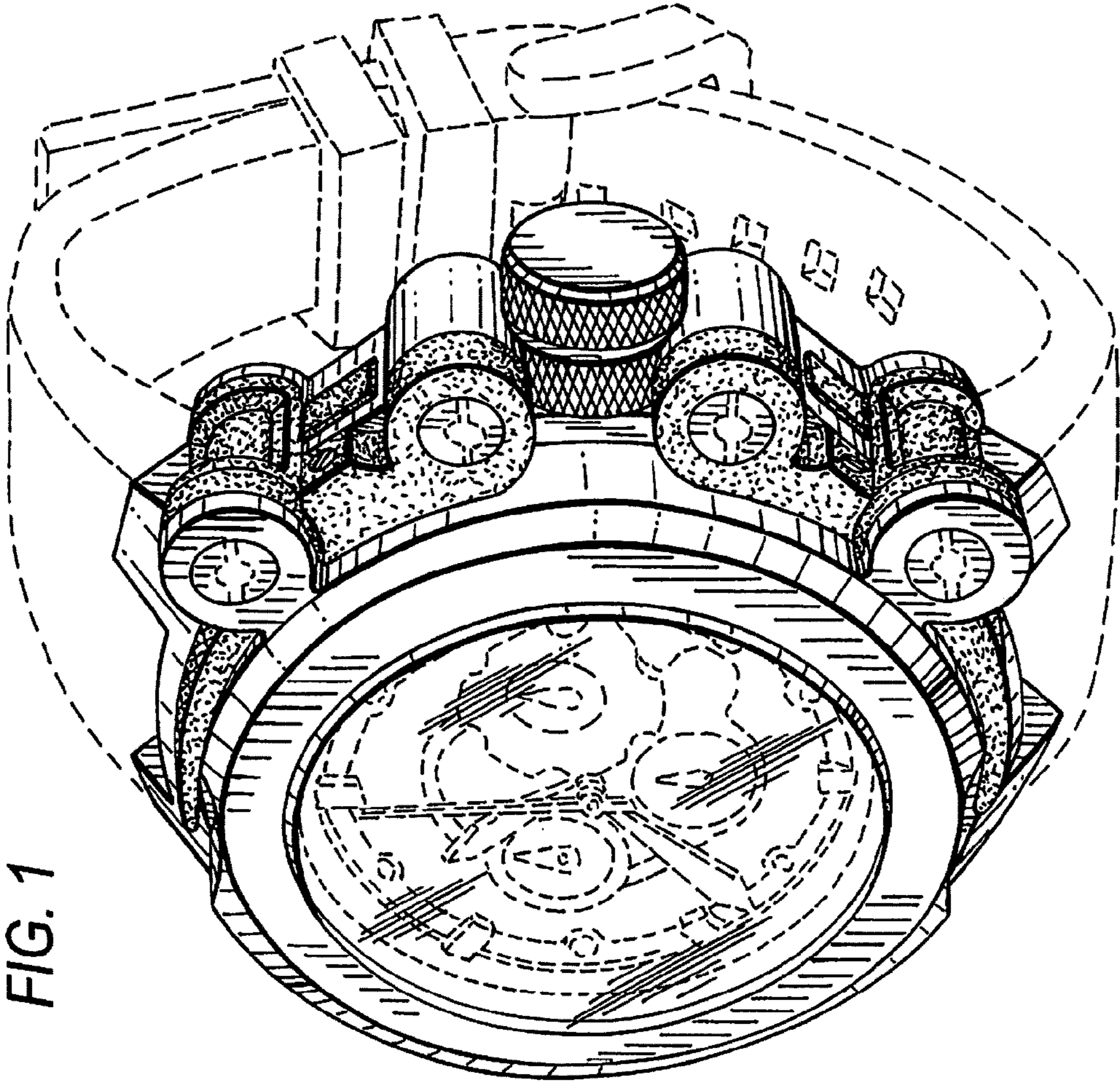


FIG. 1

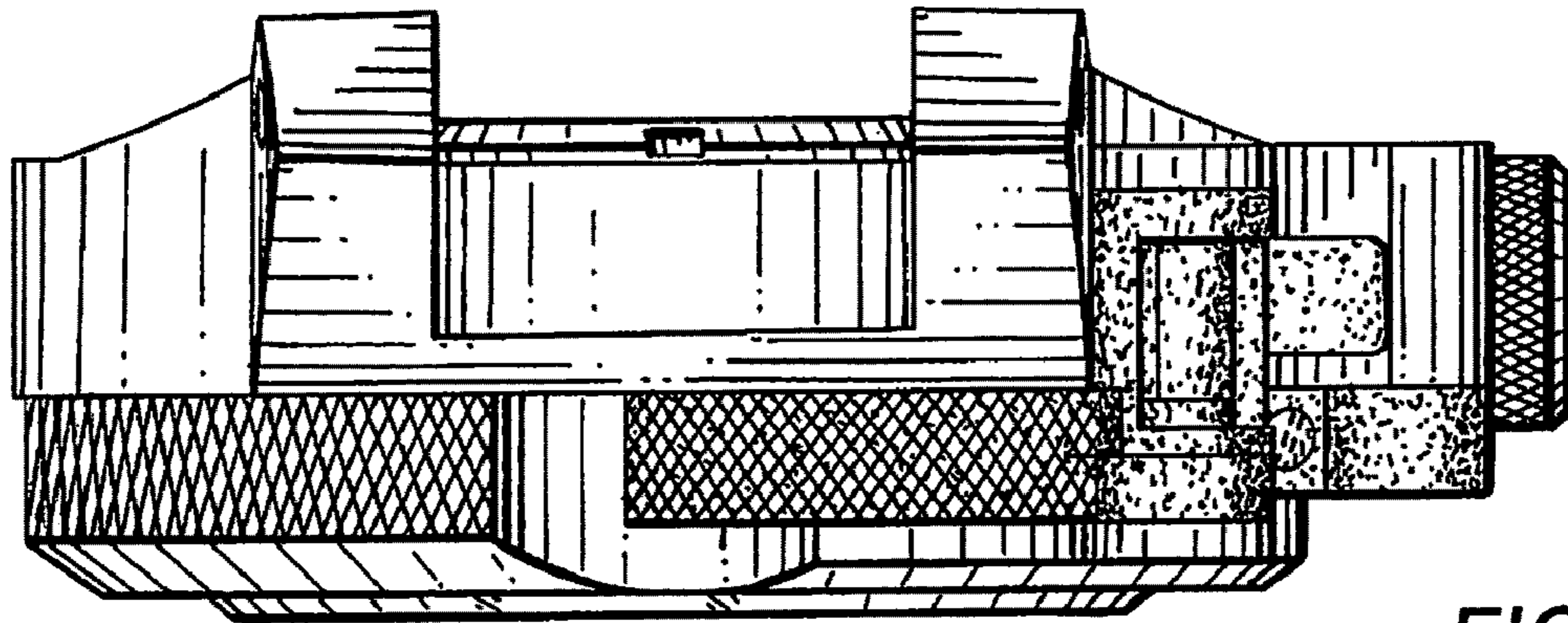


FIG. 3

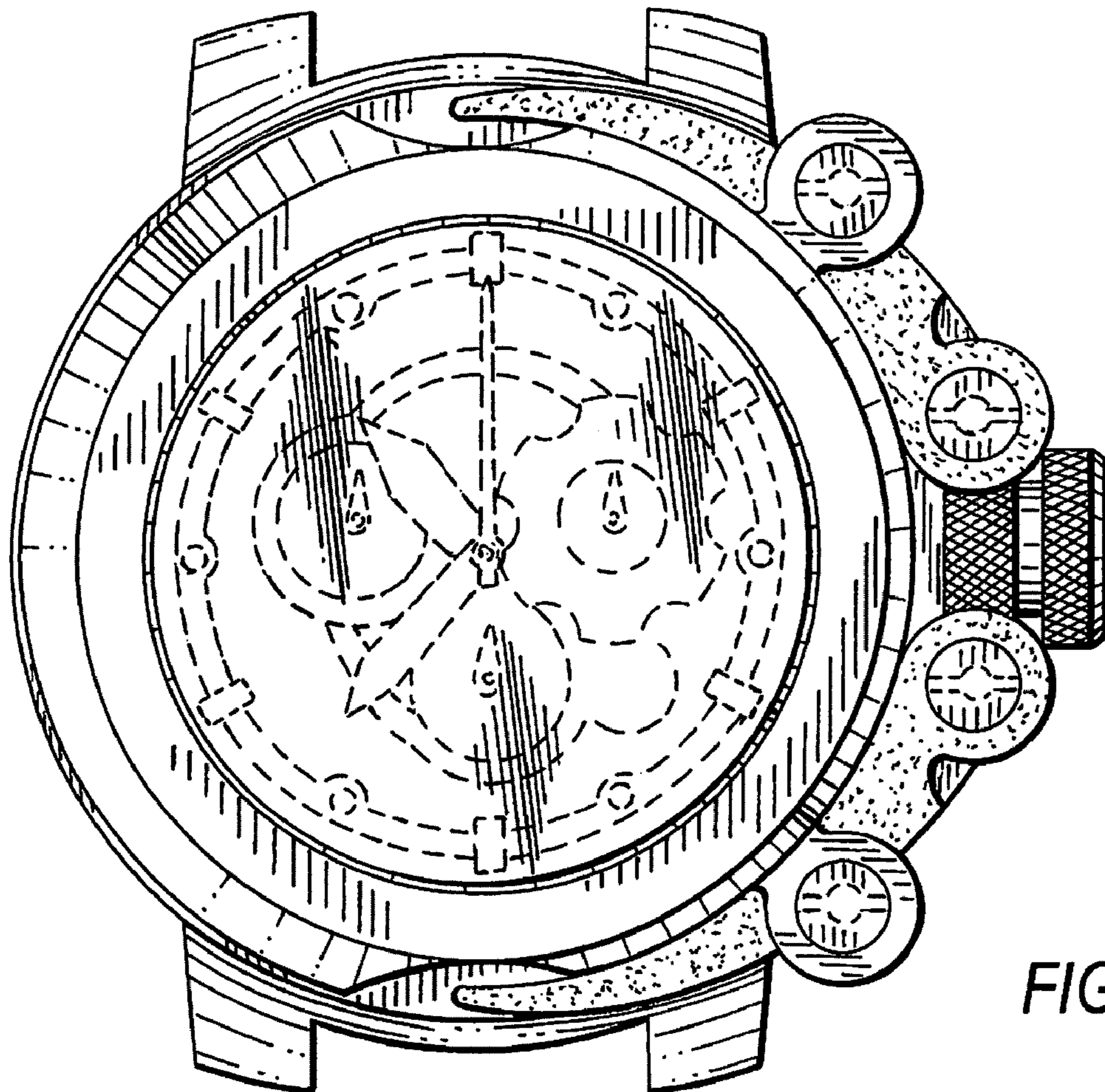


FIG. 4

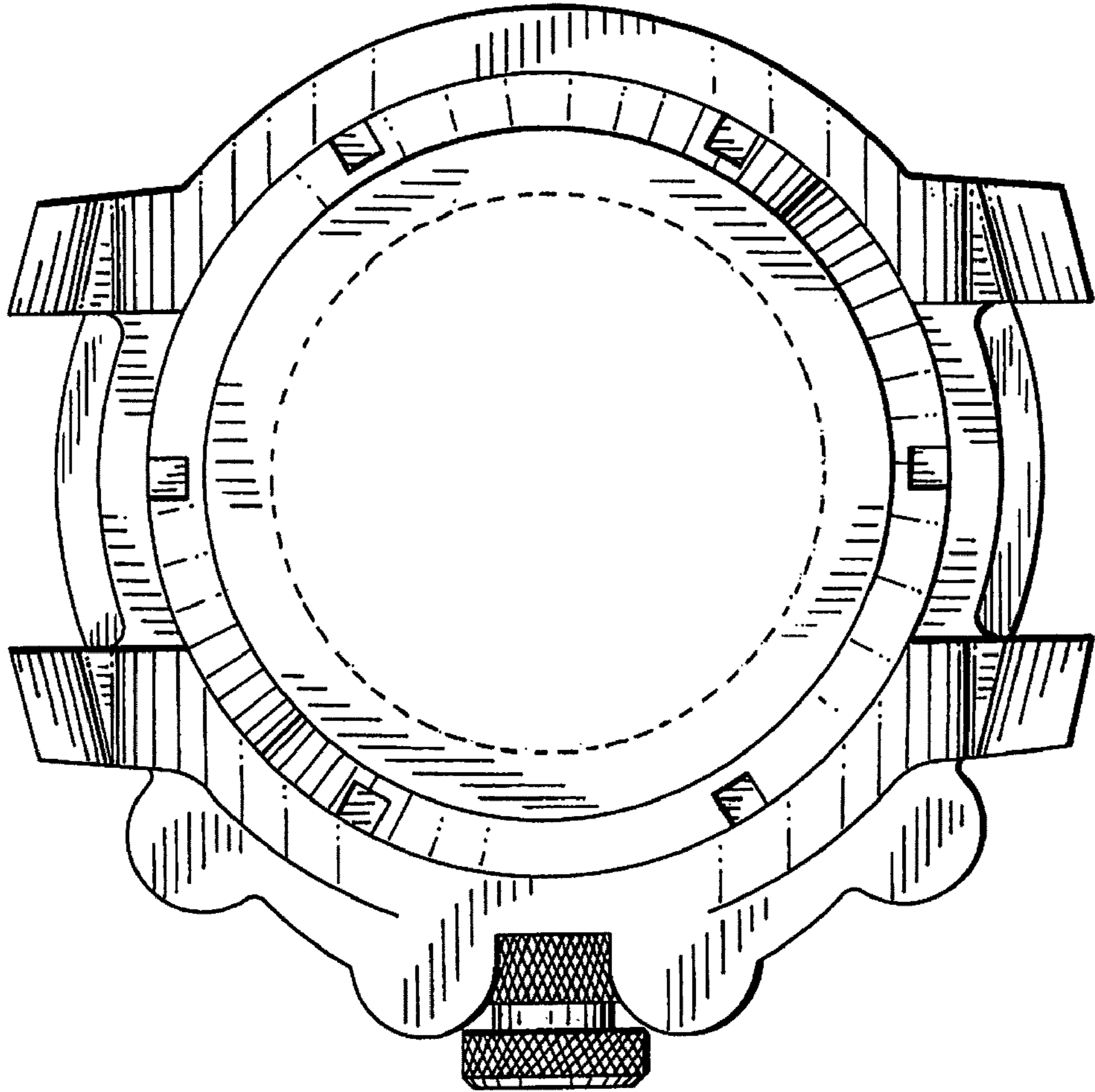


FIG. 5

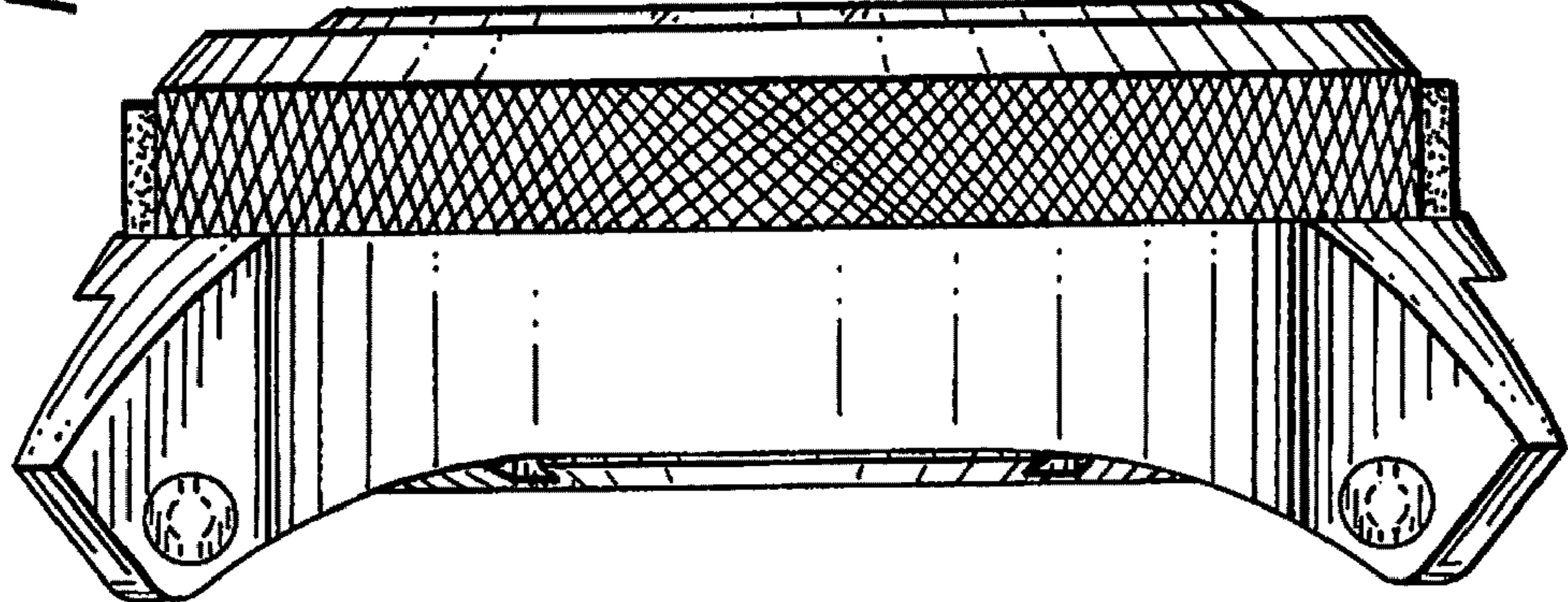


FIG. 6