



US00D646585S

(12) **United States Design Patent**  
**Henkel et al.**

(10) **Patent No.:** **US D646,585 S**  
(45) **Date of Patent:** **\*\* Oct. 11, 2011**

(54) **COMBINED GLASSWARE AND DISPLAY CONTAINER**

(75) Inventors: **Paige Henkel**, Atlanta, GA (US);  
**Marcia Miller**, Atlanta, GA (US); **Fred Pannek**, Decatur, GA (US)

(73) Assignee: **Mud Pie, LLC**, Stone Mountain, GA (US)

(\*\*) Term: **14 Years**

(21) Appl. No.: **29/314,910**

(22) Filed: **May 8, 2009**

(51) **LOC (9) Cl.** ..... **09-03**

(52) **U.S. Cl.** ..... **D9/716**

(58) **Field of Classification Search** ..... D9/414,  
D9/418, 424, 428, 430, 432, 500, 501, 503,  
D9/504, 715, 716, 718, 719, 721, 763, 772,  
D9/780; D7/213, 300, 387, 398, 400, 521-524,  
D7/601, 602, 609, 610, 612; 206/216, 524.1,  
206/527; 220/592.16, 592.17, 600, 660,  
220/675, 890; 229/400

See application file for complete search history.

(56) **References Cited**

U.S. PATENT DOCUMENTS

D259,768 S \* 7/1981 Banasiak, Jr. .... D9/780  
D315,095 S \* 3/1991 Wright ..... D9/503  
D400,005 S \* 10/1998 Wolff ..... D7/612

D424,932 S \* 5/2000 Seidler ..... D9/715  
D429,148 S \* 8/2000 Seidler ..... D9/418  
D538,640 S \* 3/2007 Limber ..... D9/428  
D538,641 S \* 3/2007 Limber ..... D9/428  
D543,411 S \* 5/2007 Rittberg ..... D7/354  
D547,201 S \* 7/2007 Zeller ..... D9/716  
D547,202 S \* 7/2007 Herzog et al. .... D9/716  
D547,203 S \* 7/2007 Herzog et al. .... D9/716  
D547,650 S \* 7/2007 Limber ..... D9/428  
D593,871 S \* 6/2009 Schmidt ..... D9/721

\* cited by examiner

*Primary Examiner* — Stella Reid

*Assistant Examiner* — Derrick Holland

(74) *Attorney, Agent, or Firm* — Friend, Hudak & Harris, LLP; Jon C. Martin

(57) **CLAIM**

The ornamental design for a combined glassware and display container, as shown and described.

**DESCRIPTION**

FIG. 1 is an exploded right, front, top perspective view of a combined glassware and display container showing our design;

FIG. 2 is perspective view thereof, in assembled condition;

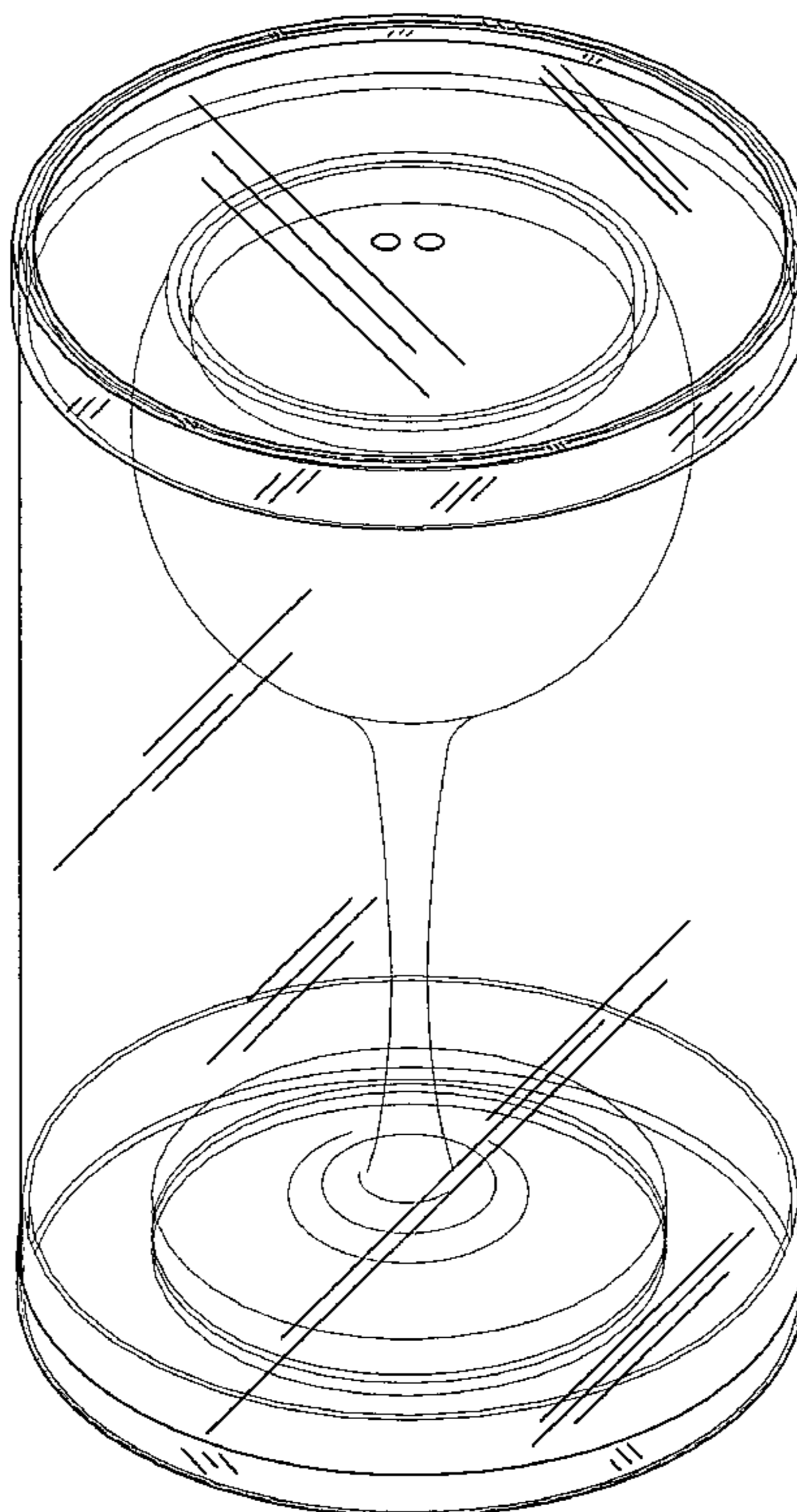
FIG. 3 is a top plan view thereof;

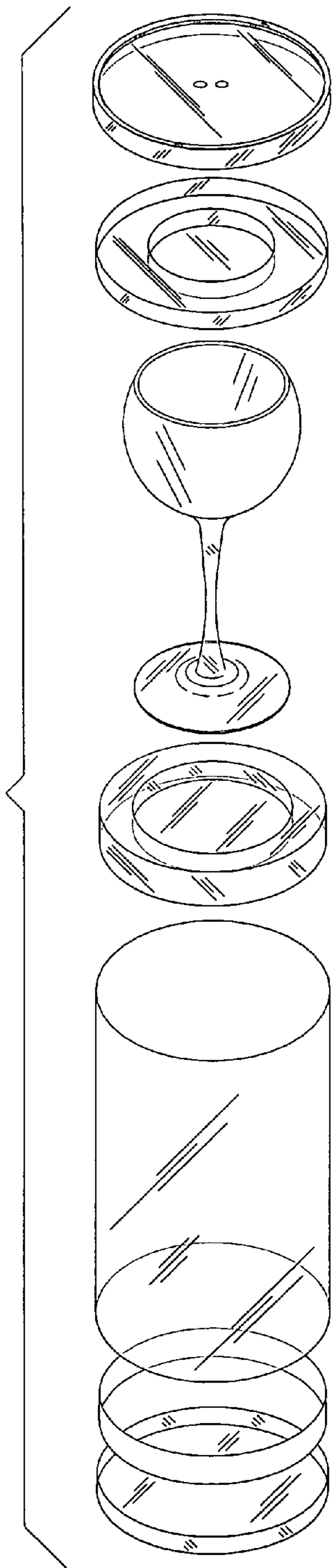
FIG. 4 is a left side elevation view thereof;

FIG. 5 is a bottom plan view thereof; and,

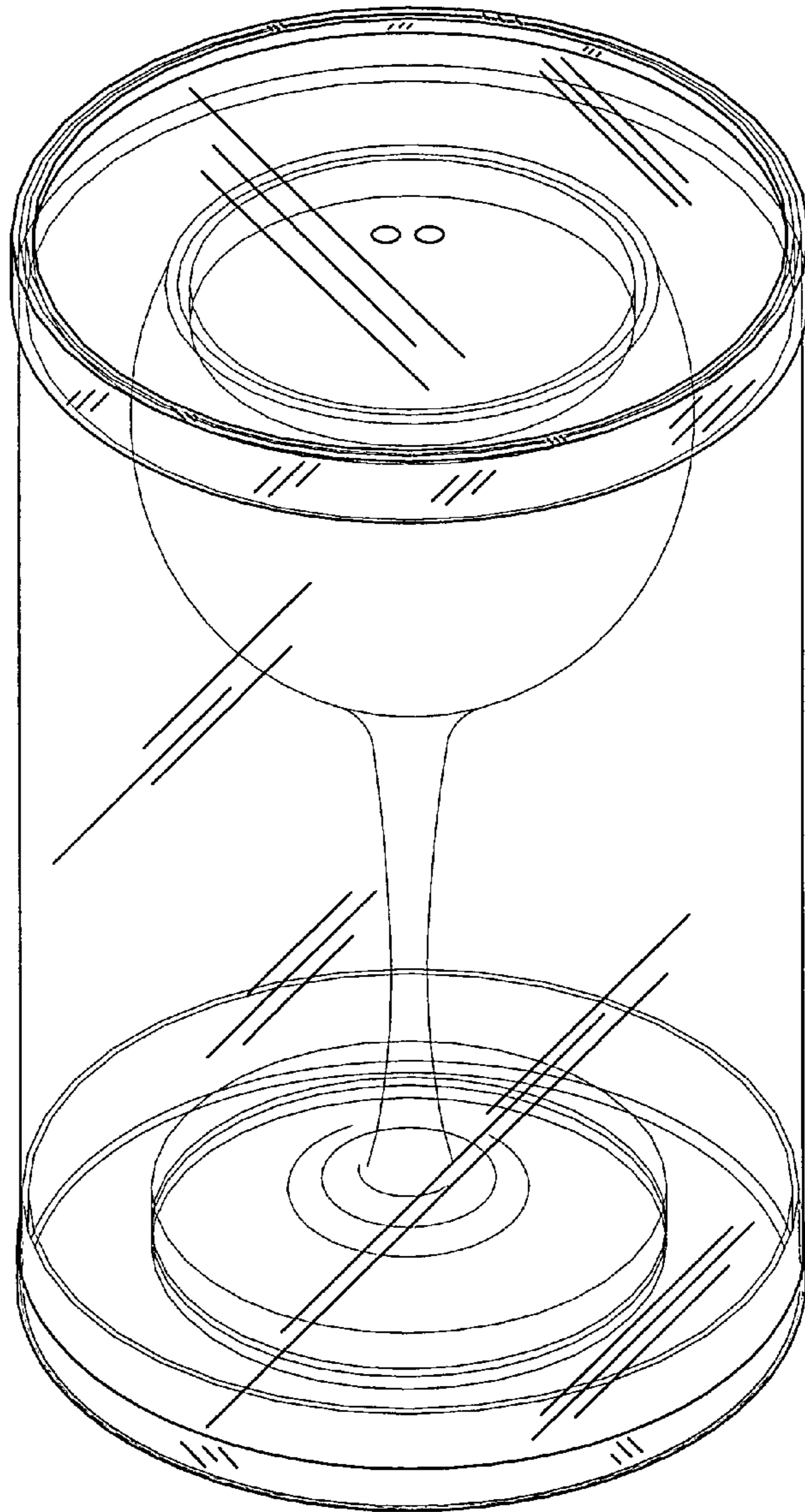
FIG. 6 is a partially exploded perspective view thereof.

**1 Claim, 3 Drawing Sheets**



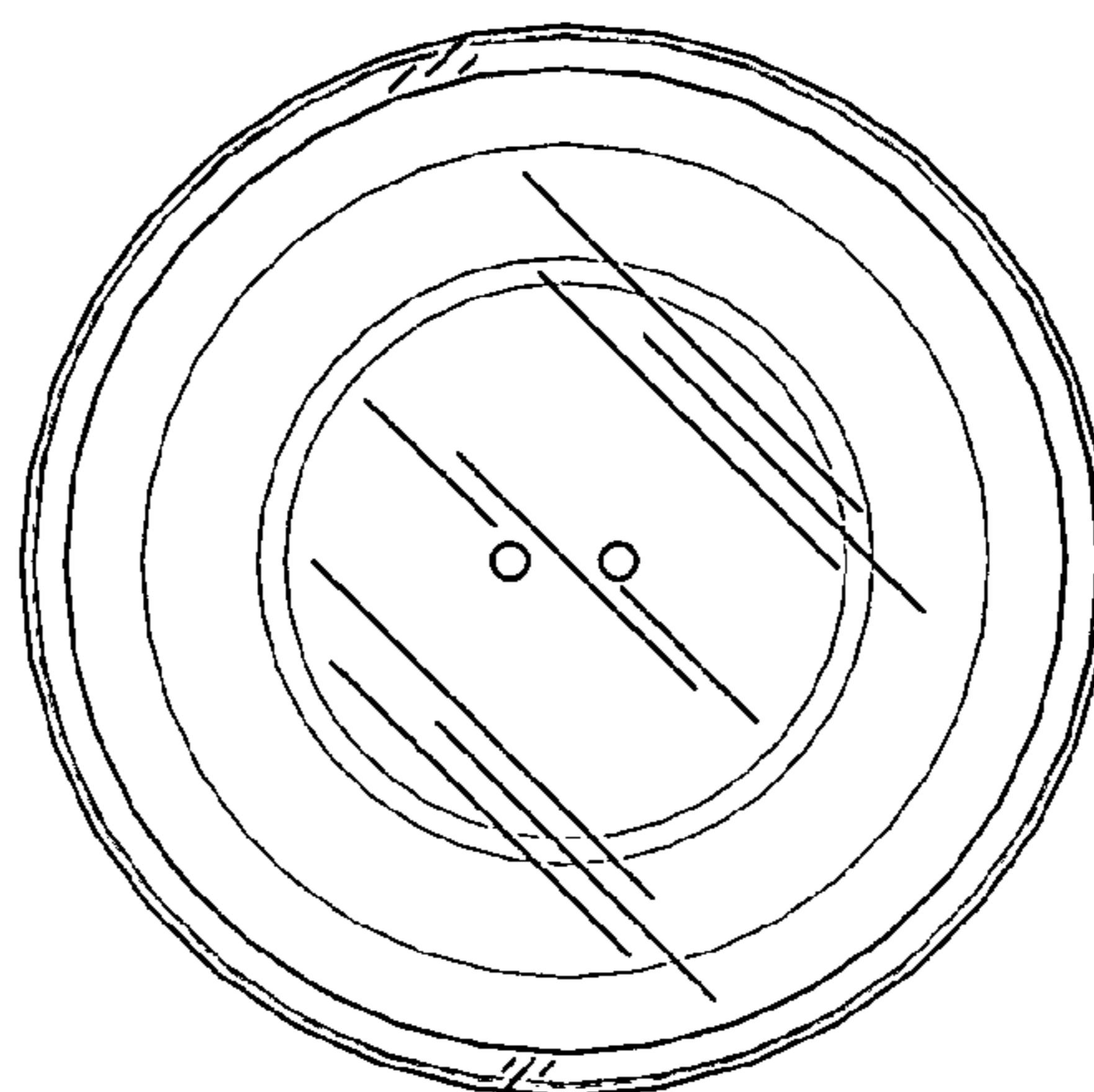


**FIG. 1**

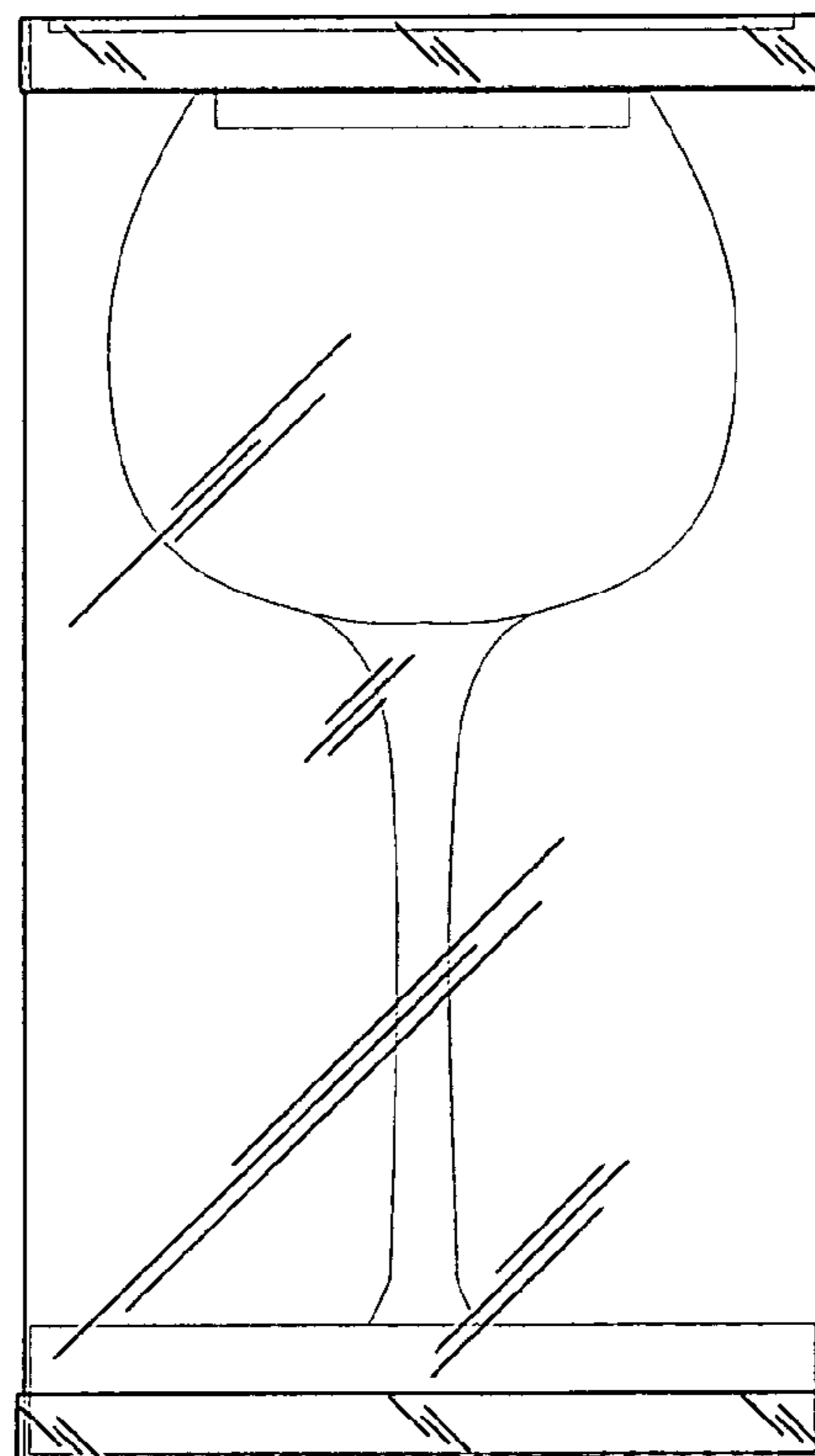


**FIG. 2**

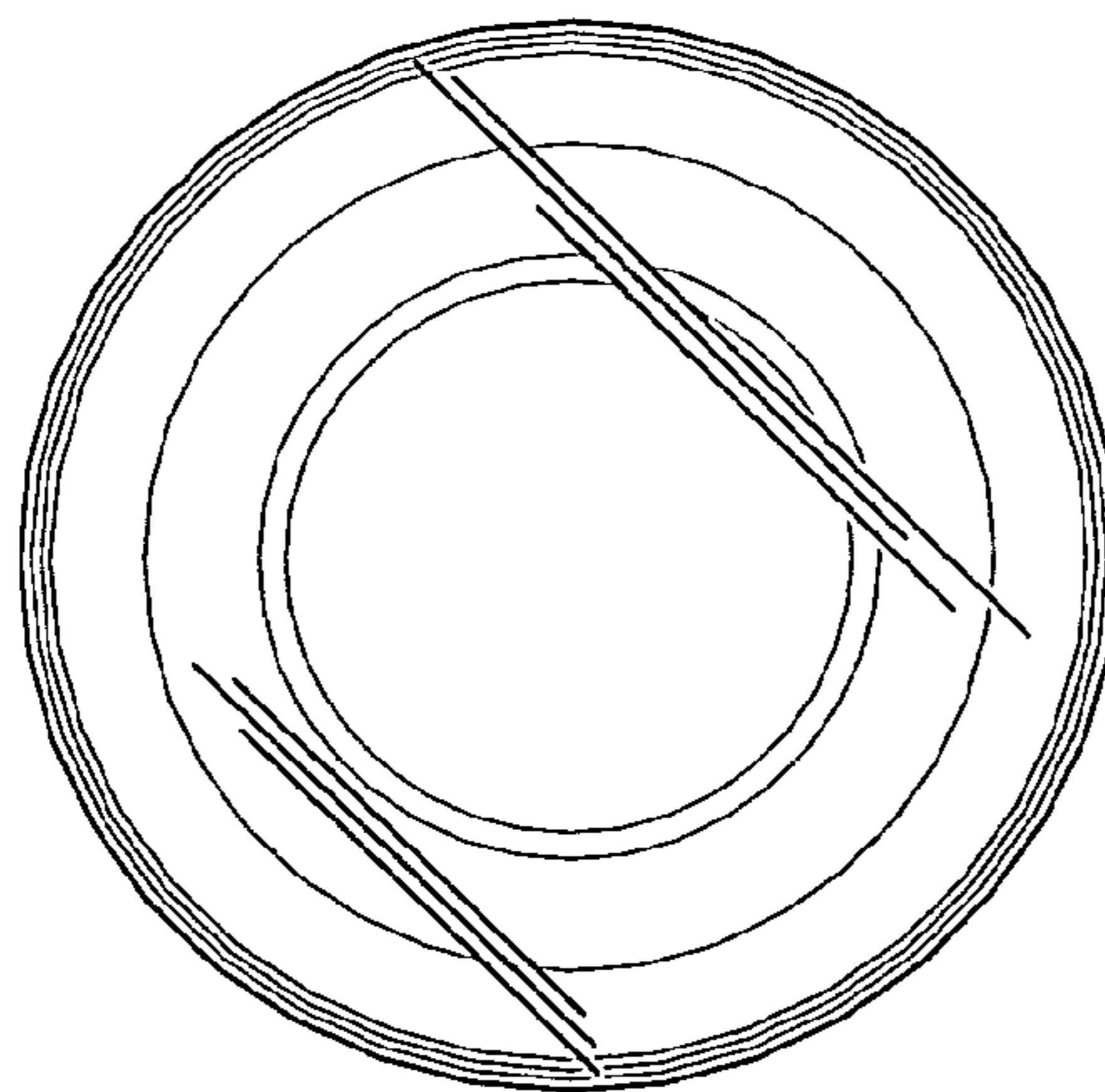
*FIG. 3*

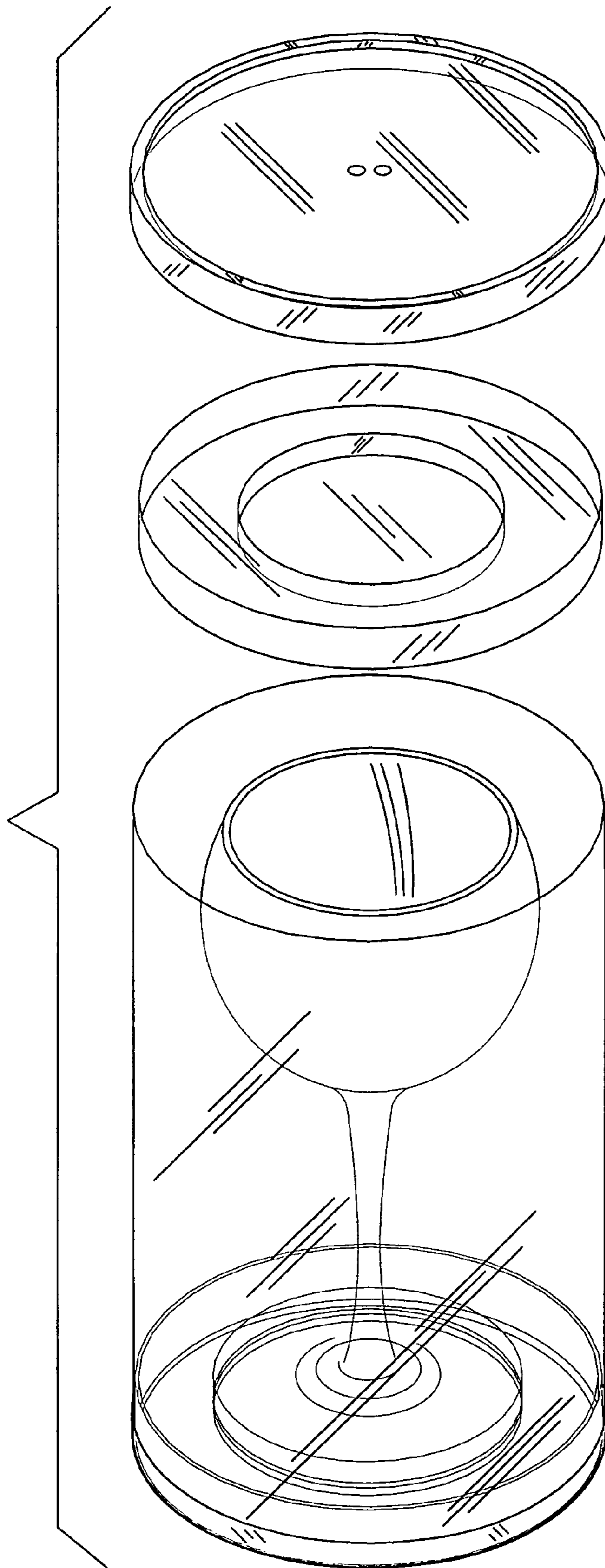


*FIG. 4*



*FIG. 5*





**FIG. 6**