



US00D646584S

(12) **United States Design Patent**
Henkel et al.

(10) **Patent No.:** **US D646,584 S**
(45) **Date of Patent:** **** Oct. 11, 2011**

(54) **COMBINED GLASSWARE AND DISPLAY CONTAINER**

(75) Inventors: **Paige Henkel**, Atlanta, GA (US);
Marcia Miller, Atlanta, GA (US); **Fred Pannek**, Decatur, GA (US)

(73) Assignee: **Mud Pie, LLC**, Stone Mountain, GA (US)

(**) Term: **14 Years**

(21) Appl. No.: **29/314,908**

(22) Filed: **May 8, 2009**

(51) **LOC (9) Cl.** **09-03**

(52) **U.S. Cl.** **D9/716**

(58) **Field of Classification Search** D9/414,
D9/418, 424, 428, 430, 432, 500, 501, 503,
D9/504, 715, 716, 718, 719, 721, 763, 772,
D9/780; D7/213, 300, 387, 398, 400, 521-524,
D7/601, 602, 609, 610, 612; 206/216, 524.1,
206/527; 220/592.16, 592.17, 600, 660,
220/675, 890; 229/400

See application file for complete search history.

(56) **References Cited**

U.S. PATENT DOCUMENTS

D259,768 S * 7/1981 Banasiak, Jr. D9/780
D315,095 S * 3/1991 Wright D9/503
D400,005 S * 10/1998 Wolff D7/612

D424,932 S * 5/2000 Seidler D9/715
D429,148 S * 8/2000 Seidler D9/418
D538,640 S * 3/2007 Limber D9/428
D538,641 S * 3/2007 Limber D9/428
D543,411 S * 5/2007 Rittberg D7/354
D547,201 S * 7/2007 Zeller D9/716
D547,202 S * 7/2007 Herzog et al. D9/716
D547,203 S * 7/2007 Herzog et al. D9/716
D547,650 S * 7/2007 Limber D9/428
D593,871 S * 6/2009 Schmidt D9/721

* cited by examiner

Primary Examiner — Stella Reid

Assistant Examiner — Derrick Holland

(74) *Attorney, Agent, or Firm* — Friend, Hudak & Harris, LLP; Jon C. Martin

(57) **CLAIM**

The ornamental design for a combined glassware and display container, as shown and described.

DESCRIPTION

FIG. 1 is an exploded right, front, top perspective view of a combined glassware and display container showing our design;

FIG. 2 is perspective view thereof, in assembled condition;

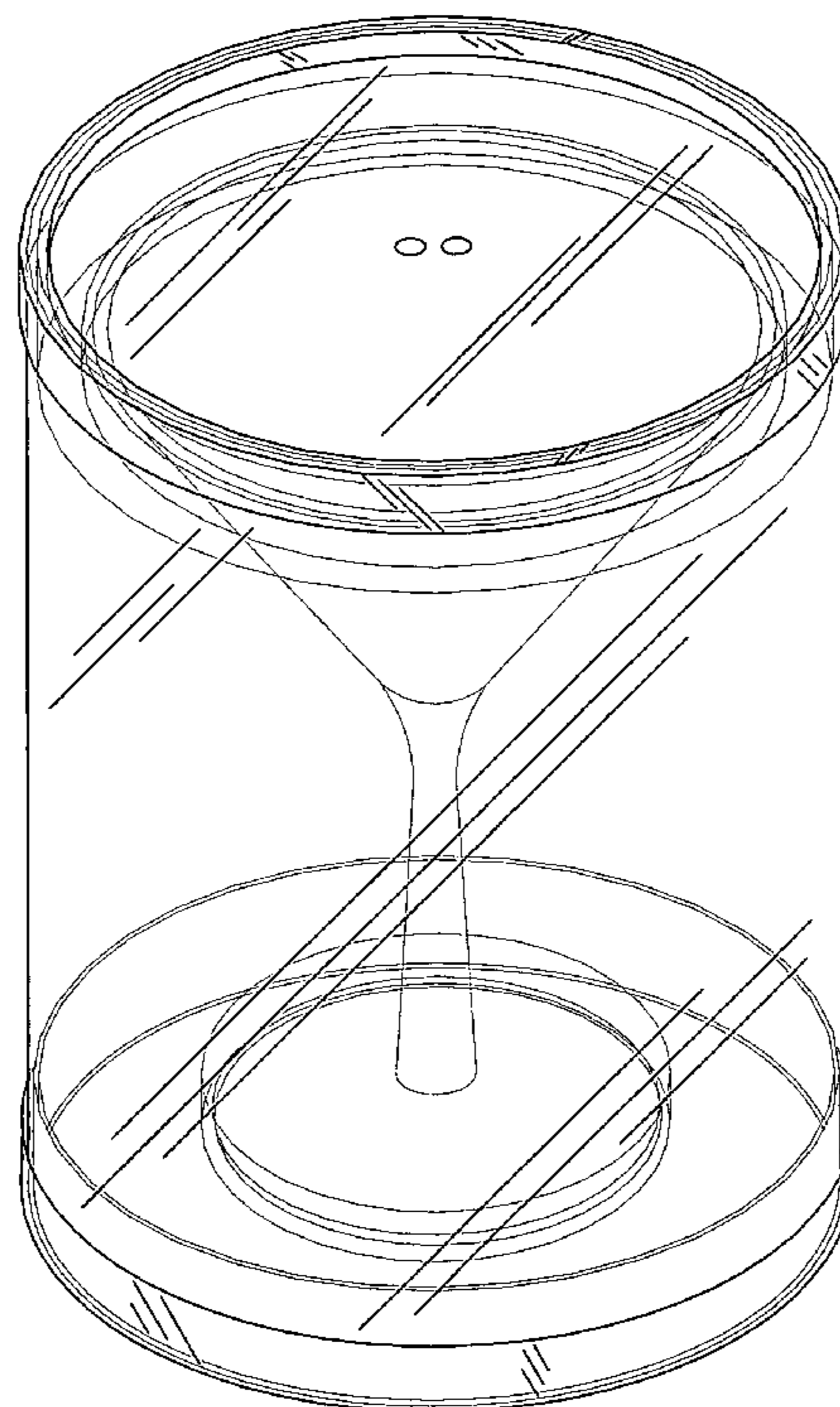
FIG. 3 is a top plan view thereof;

FIG. 4 is a left side elevation view thereof;

FIG. 5 is a bottom plan view thereof; and,

FIG. 6 is a partially exploded perspective view thereof.

1 Claim, 3 Drawing Sheets



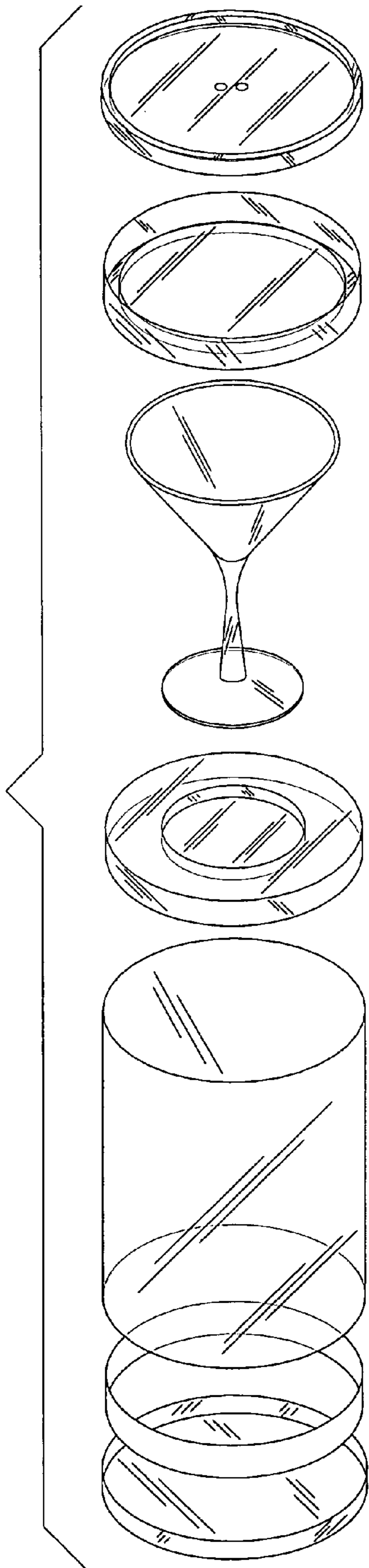


FIG. 1

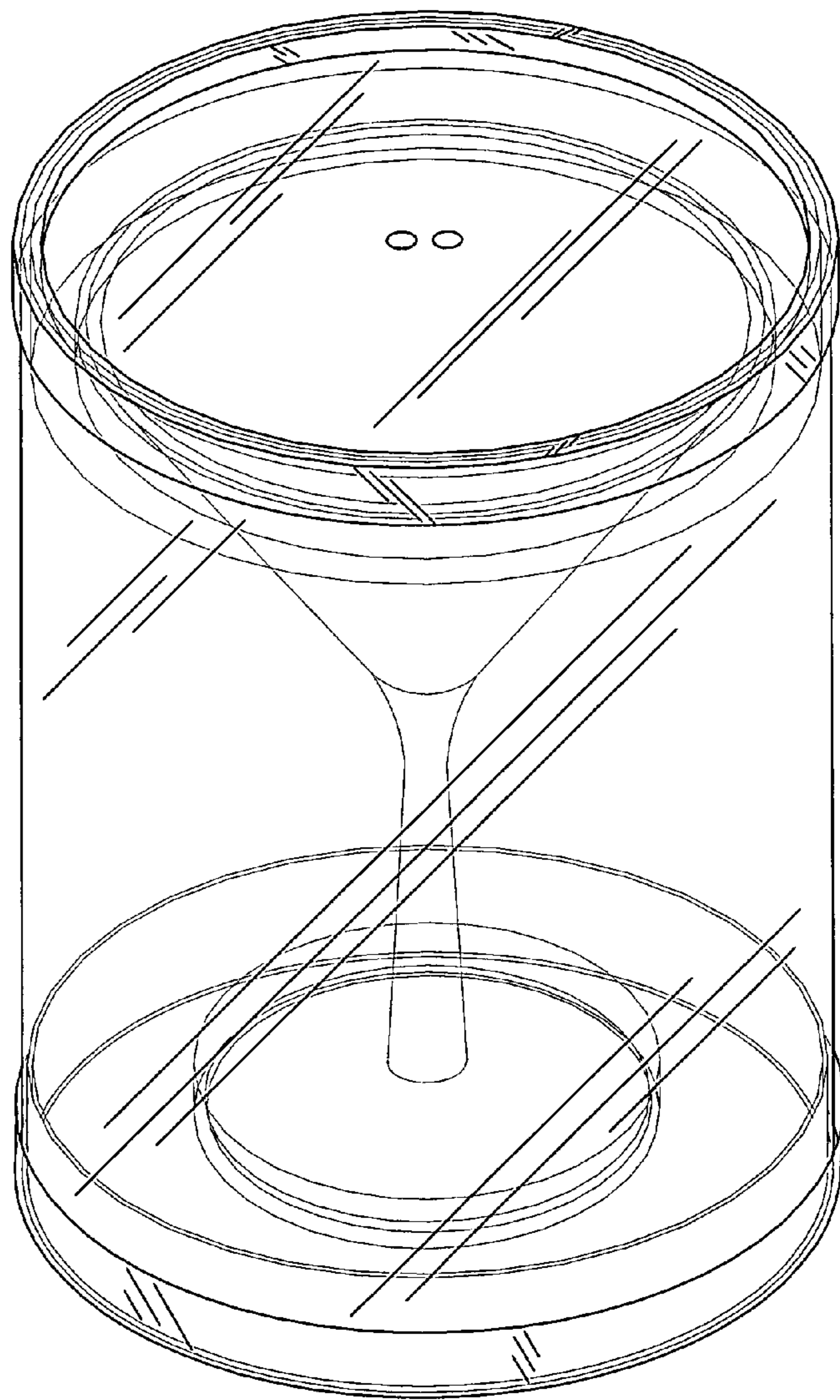


FIG. 2

FIG. 3

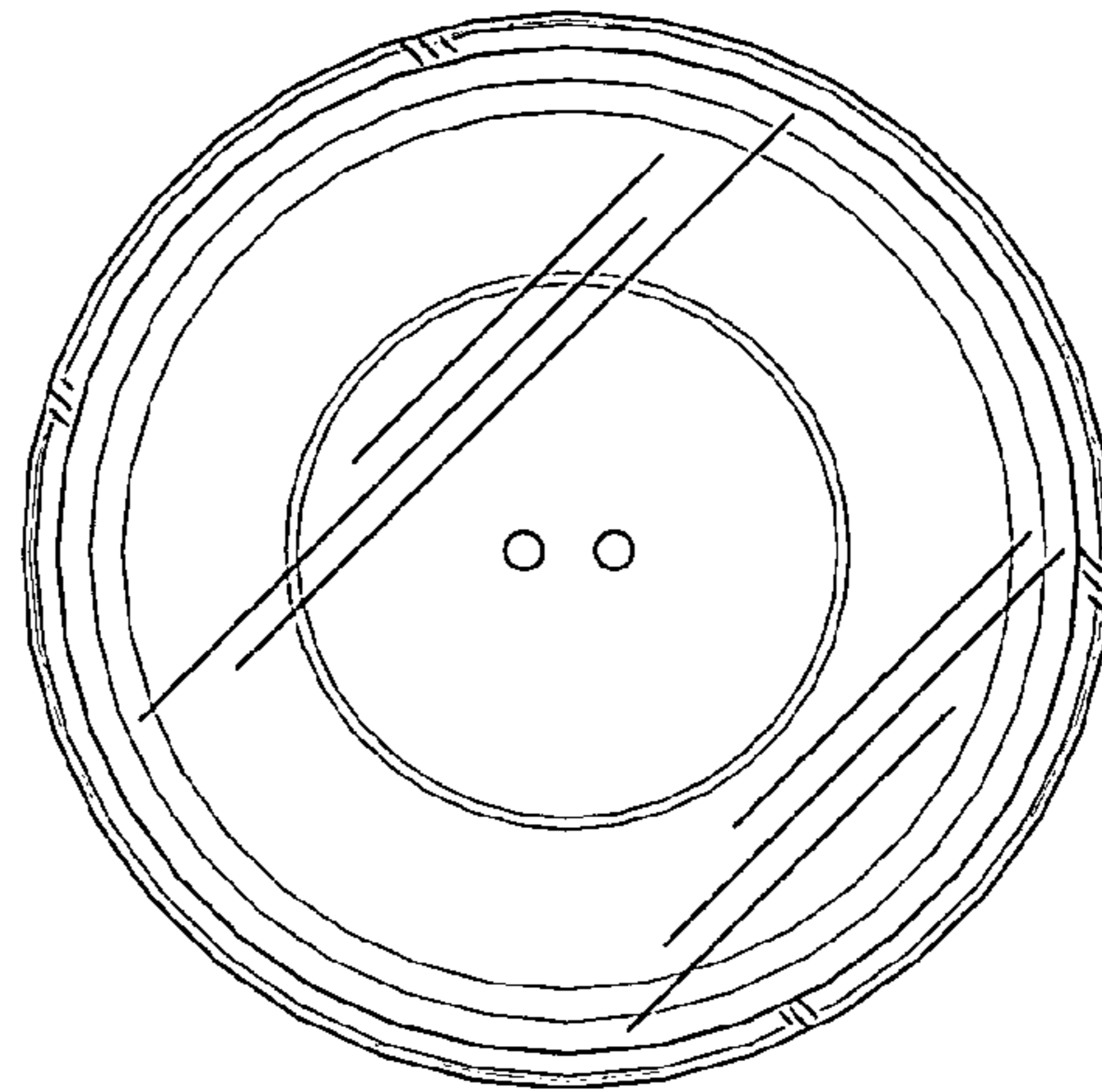


FIG. 4

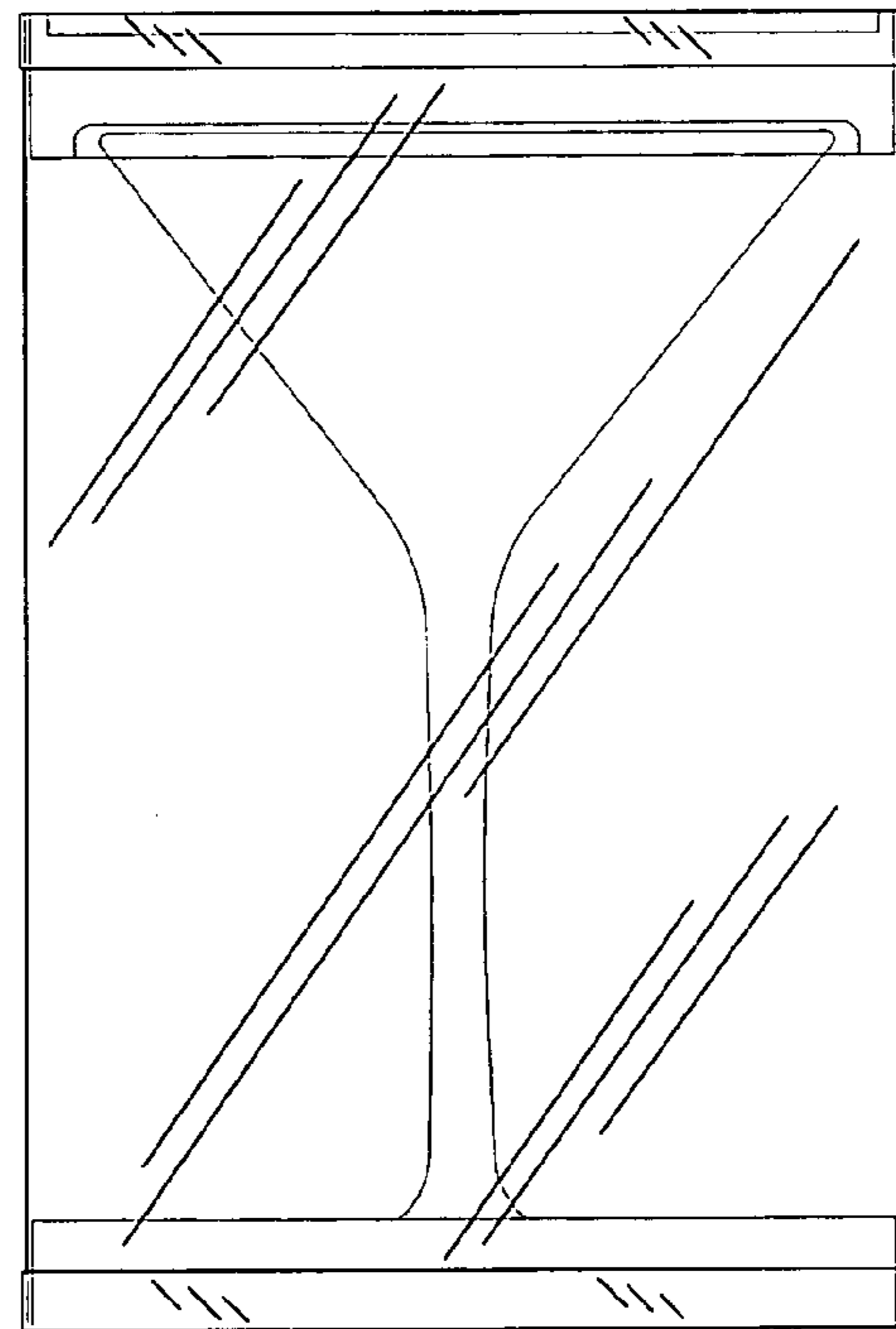
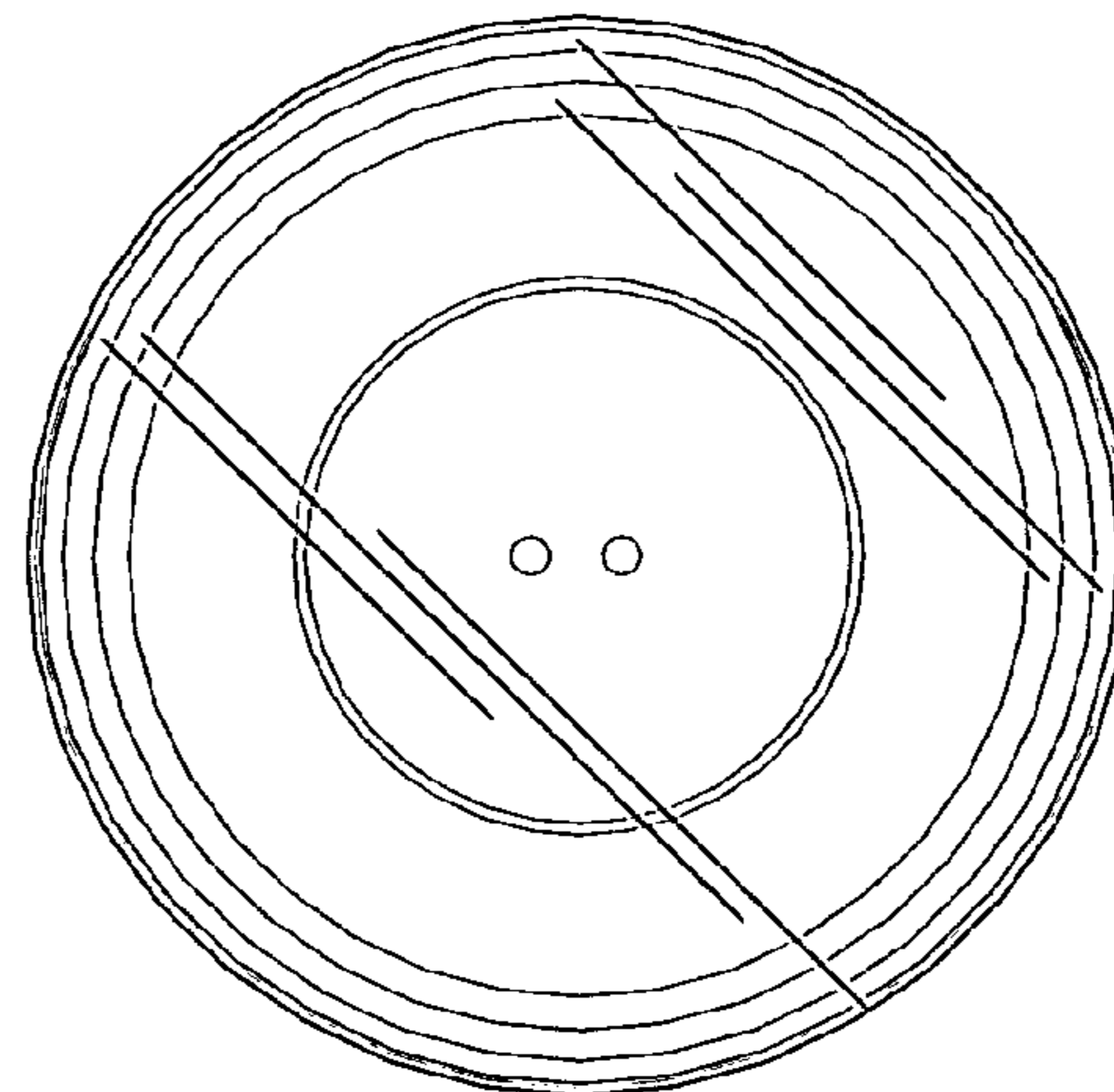


FIG. 5



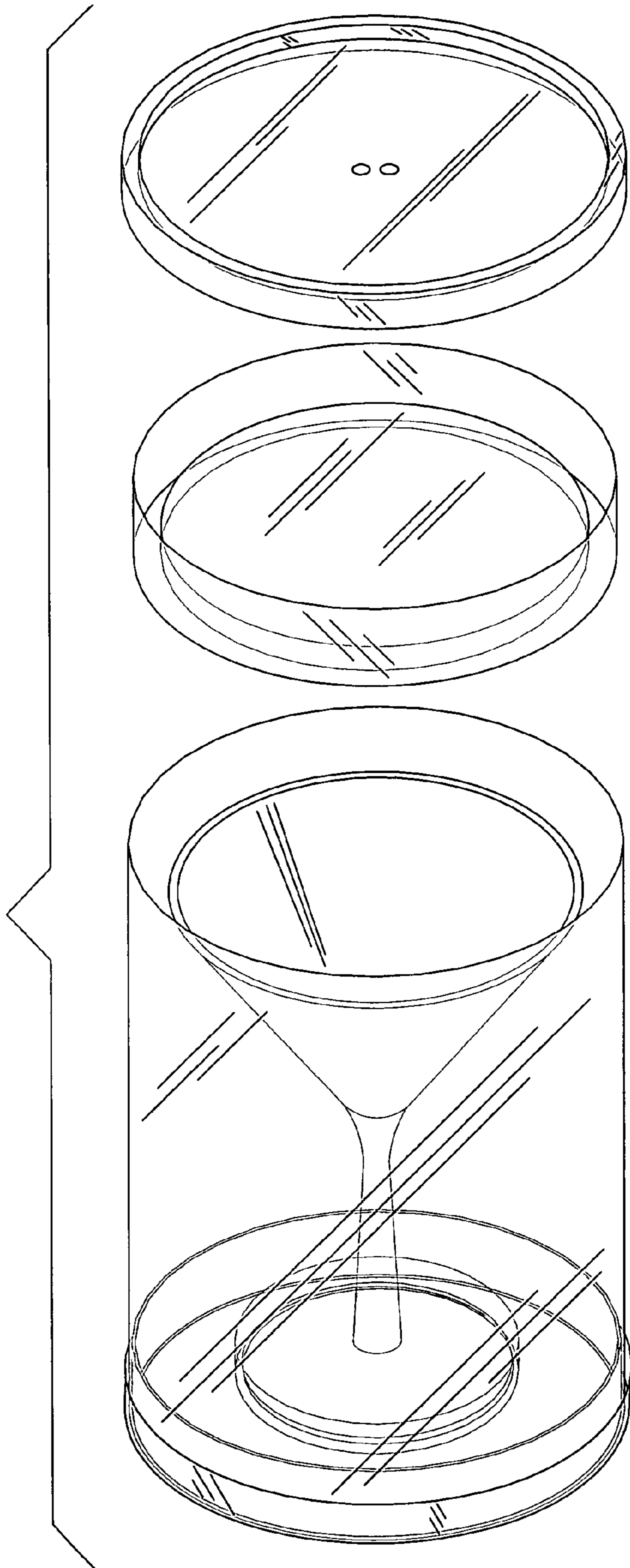


FIG. 6