



US00D646581S

(12) **United States Design Patent**
Baron

(10) **Patent No.:** **US D646,581 S**

(45) **Date of Patent:** **** Oct. 11, 2011**

(54) **FLASK FOR PERFUMERY PRODUCT**

(75) Inventor: **Fabien Baron**, New York, NY (US)

(73) Assignee: **Parfums Givenchy**, Levallois Perret (FR)

(**) Term: **14 Years**

(21) Appl. No.: **29/357,384**

(22) Filed: **Mar. 11, 2010**

(30) **Foreign Application Priority Data**

Sep. 14, 2009 (FR) 09 4328

(51) **LOC (9) Cl.** **09-01**

(52) **U.S. Cl.** **D9/573; D9/435; D9/574**

(58) **Field of Classification Search** D9/682,
D9/686, 687, 694, 516, 520, 544, 559, 560,
D9/572, 573, 574, 434, 435; 215/200, 316,
215/318, 379, 381-385; 220/200, 360, 377,
220/600, 602, 662, 663, 604, 608, 609, 610,
220/660, 669, 670, 674, 675

See application file for complete search history.

(56) **References Cited**

U.S. PATENT DOCUMENTS

D45,375 S *	3/1914	Dunnock	D9/658
D81,633 S *	7/1930	De Wagner	D9/520
D90,558 S *	8/1933	Tricard	D9/560
D94,199 S *	1/1935	Fuerst	D9/566
D94,786 S *	3/1935	Stein	D9/566
D121,286 S *	7/1940	Robert	D9/544
D220,798 S *	5/1971	Leonard	D9/567
3,620,409 A *	11/1971	Rosenbaum	220/745
D235,735 S *	7/1975	Dinand	D9/544
D272,603 S *	2/1984	Dinand	D9/544
D280,295 S *	8/1985	de Mouy et al.	D9/573
D310,330 S *	9/1990	Cassini	D9/569
D324,820 S *	3/1992	Hayman et al.	D9/544
D333,269 S *	2/1993	Albright et al.	D9/544
D339,528 S *	9/1993	Rueppel	D9/549

D430,037 S *	8/2000	Granai	D9/544
D459,209 S *	6/2002	Yamamoto	D9/687
D474,693 S *	5/2003	Gruosi-Scheufele	D9/544
D480,299 S *	10/2003	Sgariboldi	D9/694
D484,789 S *	1/2004	Sgariboldi	D9/694
D484,790 S *	1/2004	Sgariboldi	D9/694
D484,792 S *	1/2004	Sgariboldi	D9/694
D485,165 S *	1/2004	Sgariboldi	D9/694
D525,142 S *	7/2006	Baron	D9/682
D526,212 S *	8/2006	Faillant-Dumas	D9/694
D536,259 S *	2/2007	Herrmann	D9/573
D537,725 S *	3/2007	Varlet	D9/544
D542,144 S *	5/2007	Herrmann	D9/560
D542,670 S *	5/2007	Herrmann	D9/560
D546,192 S *	7/2007	Faillant Dumas	D9/571
D574,257 S *	8/2008	Zeidan	D9/694
D576,052 S *	9/2008	Lloyd et al.	D9/694
D579,343 S *	10/2008	Calvo	D9/694
D587,596 S *	3/2009	Lloyd	D9/694
D600,133 S *	9/2009	Friedman et al.	D9/560
D604,629 S *	11/2009	Aebi	D9/544

(Continued)

Primary Examiner — Elizabeth J Oswecki

(74) *Attorney, Agent, or Firm* — Stites & Harbison PLLC;
Douglas E. Jackson

(57) **CLAIM**

The ornamental design for a flask for perfumery product, as shown and described.

DESCRIPTION

FIG. 1 is a front, top and left side perspective view of a flask for perfumery product showing my new design.

FIG. 2 is front view thereof, the back view being a mirror image.

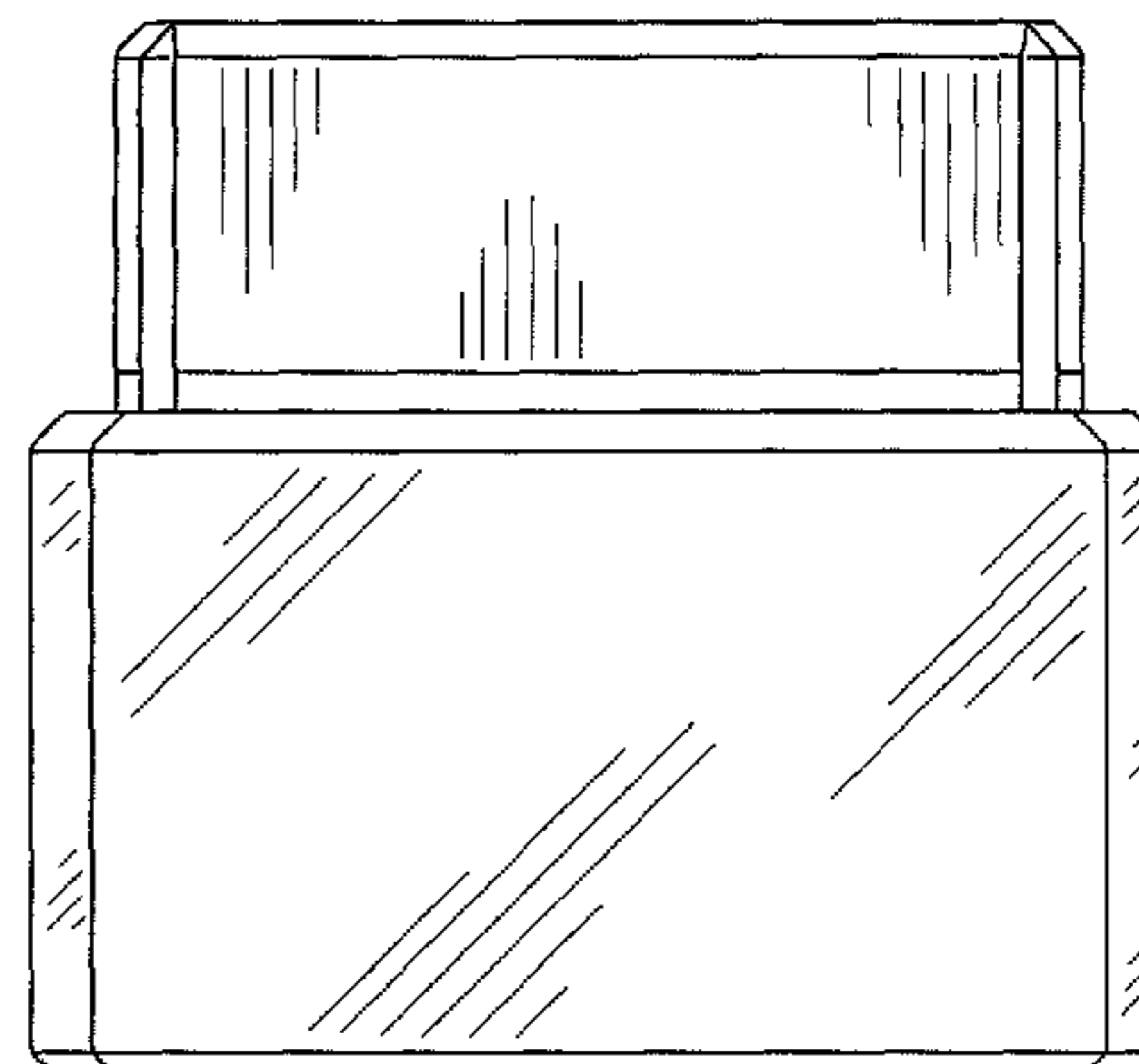
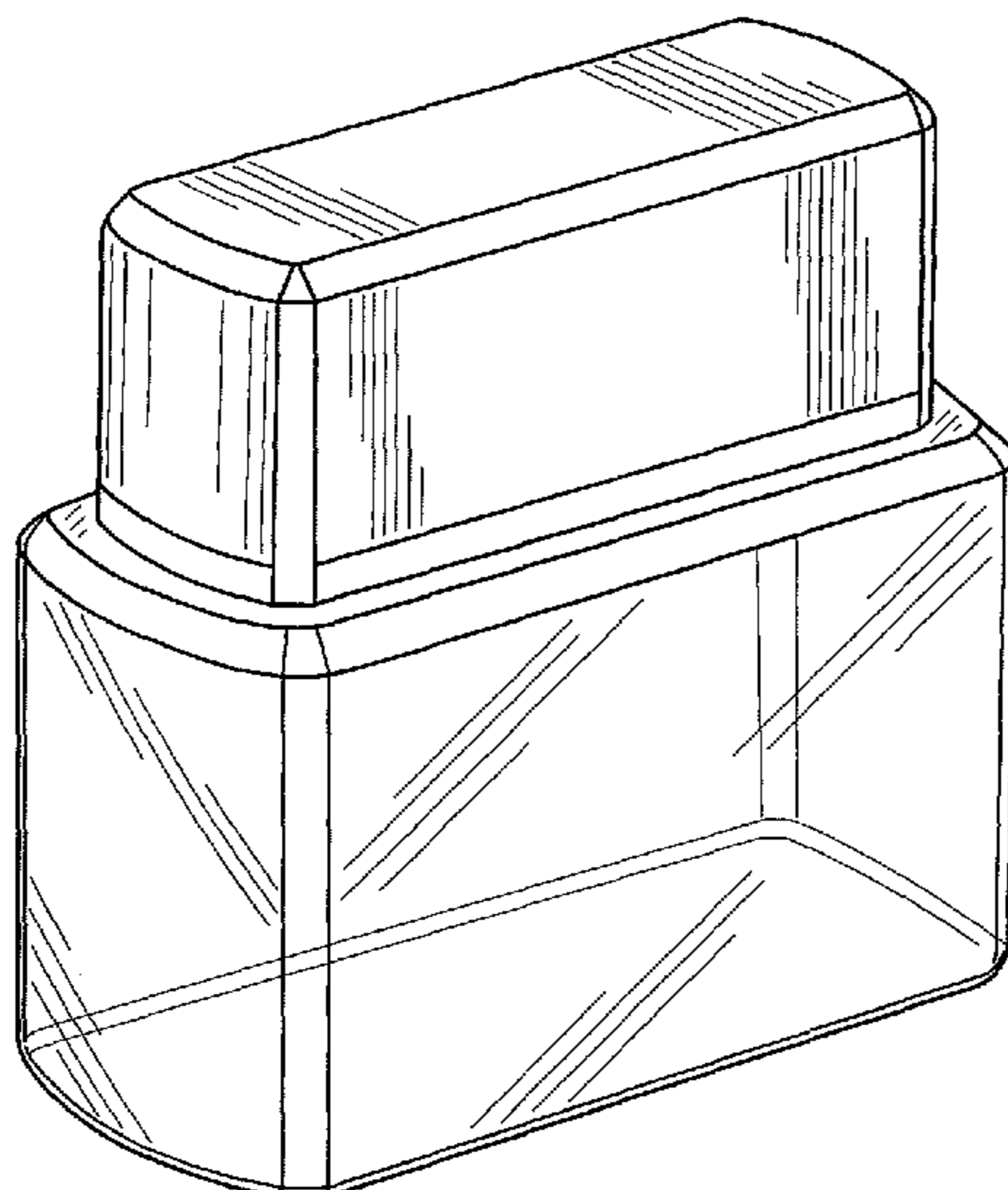
FIG. 3 is a right side view thereof, the left side view being a mirror image.

FIG. 4 is a top view thereof; and,

FIG. 5 is a bottom view thereof.

The diagonal lines of FIGS. 1-5 are provided to show the transparency of the base member.

1 Claim, 2 Drawing Sheets



US D646,581 S

Page 2

U.S. PATENT DOCUMENTS

D609,574 S *	2/2010	Holmes et al.	D9/542	D619,470 S *	7/2010	Zeidan	D9/544
D614,040 S *	4/2010	Holmes et al.	D9/542	D620,804 S *	8/2010	Bogert et al.	D9/544

* cited by examiner

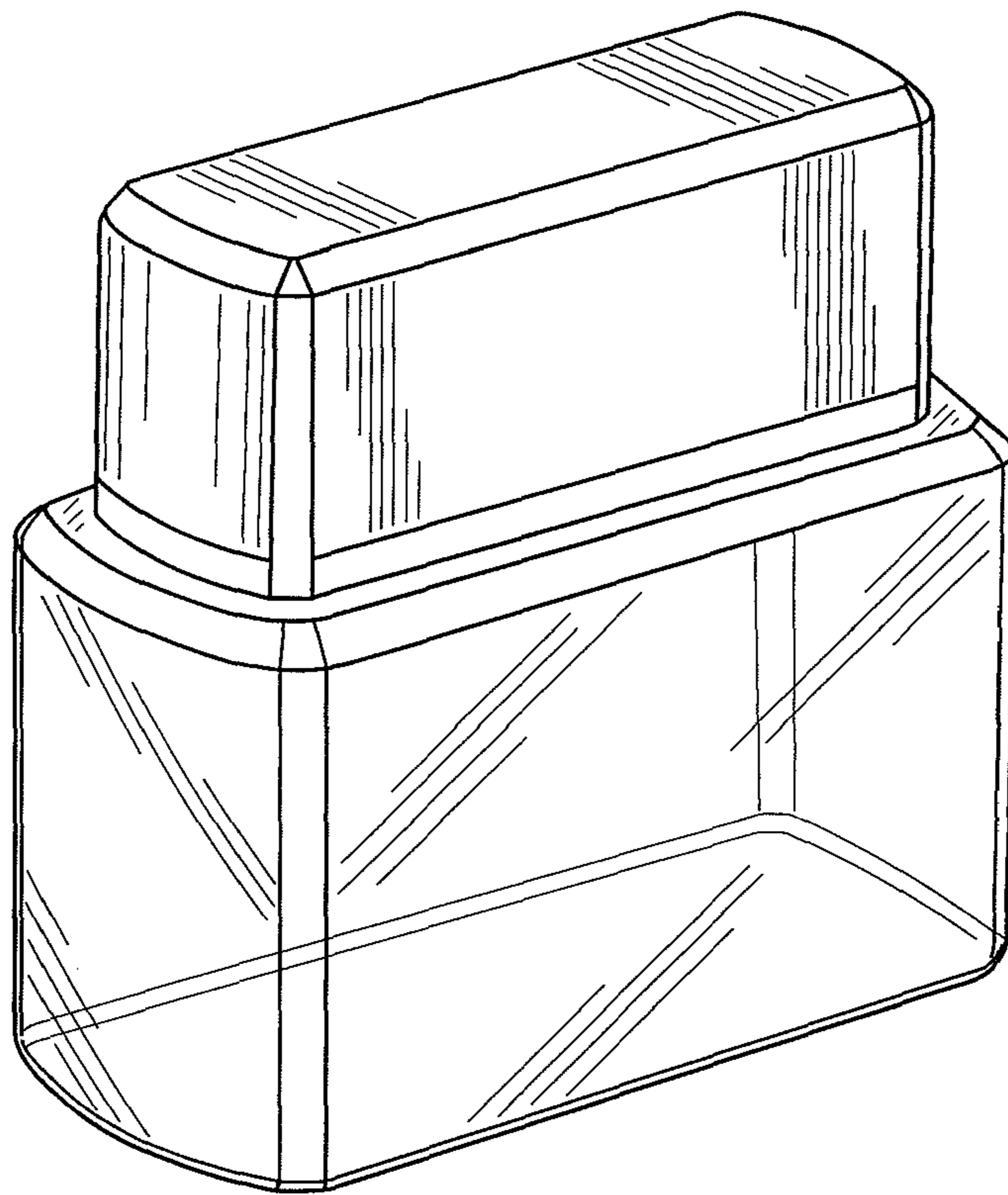


FIG. 1

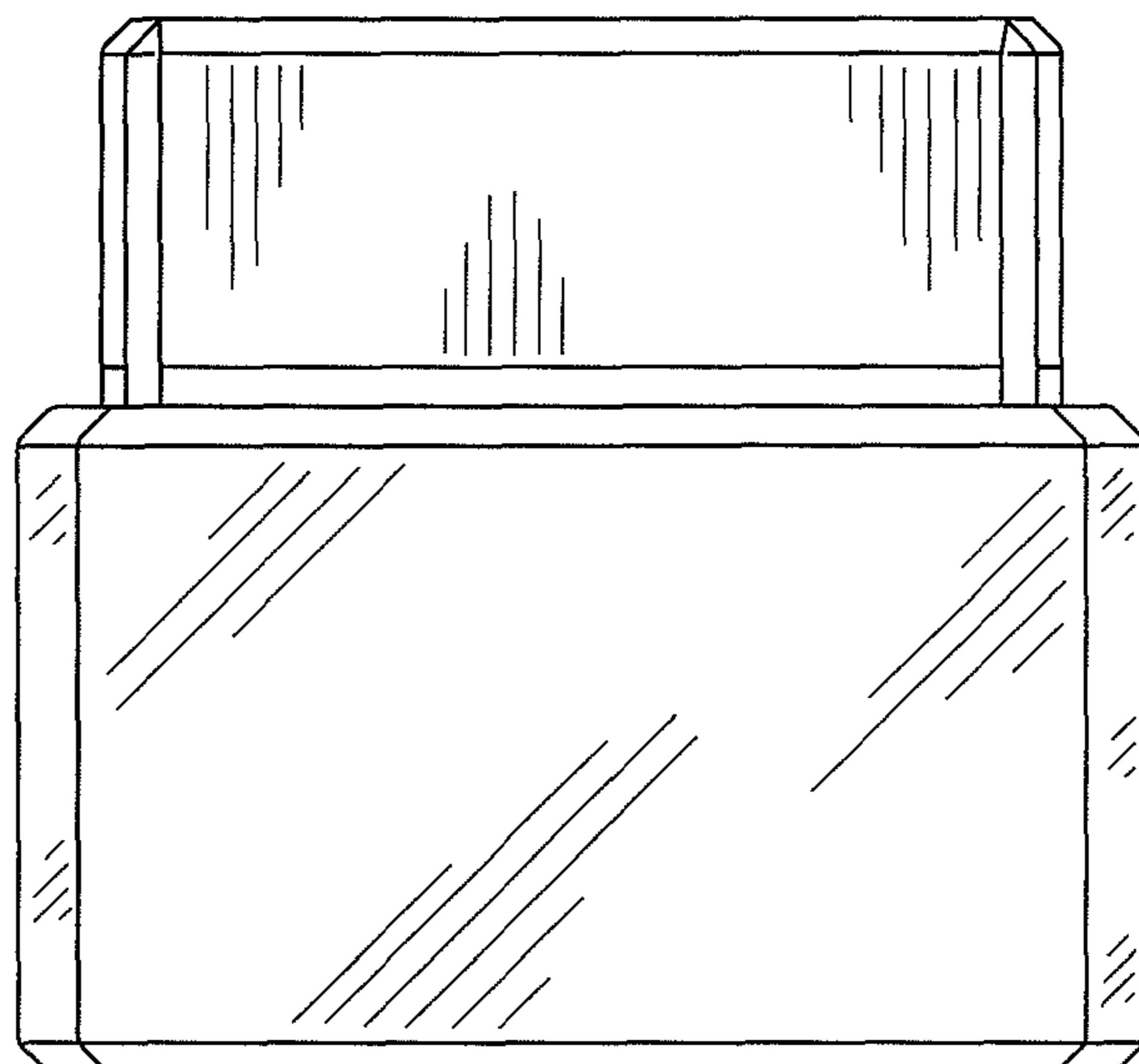


FIG. 2

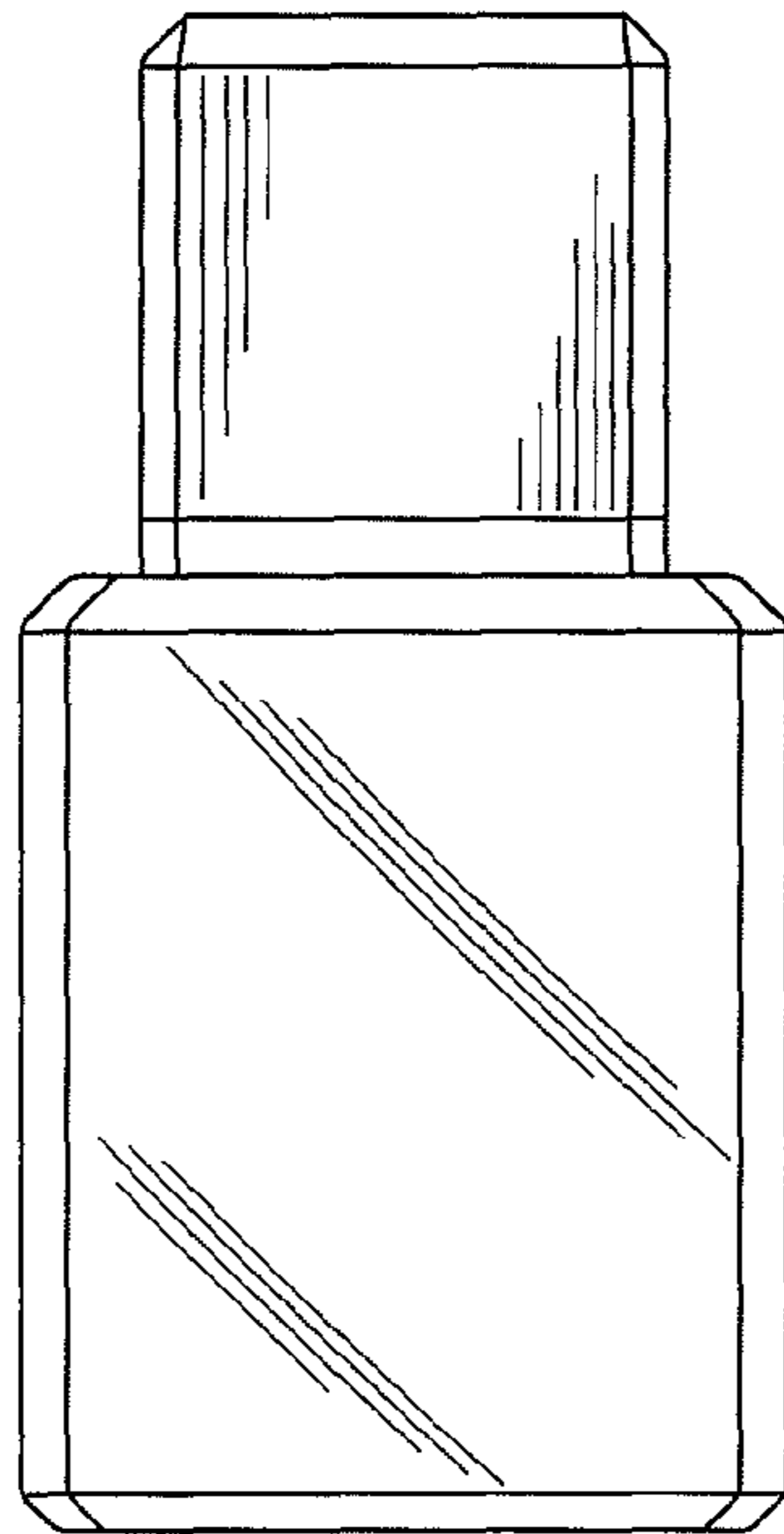


FIG. 3

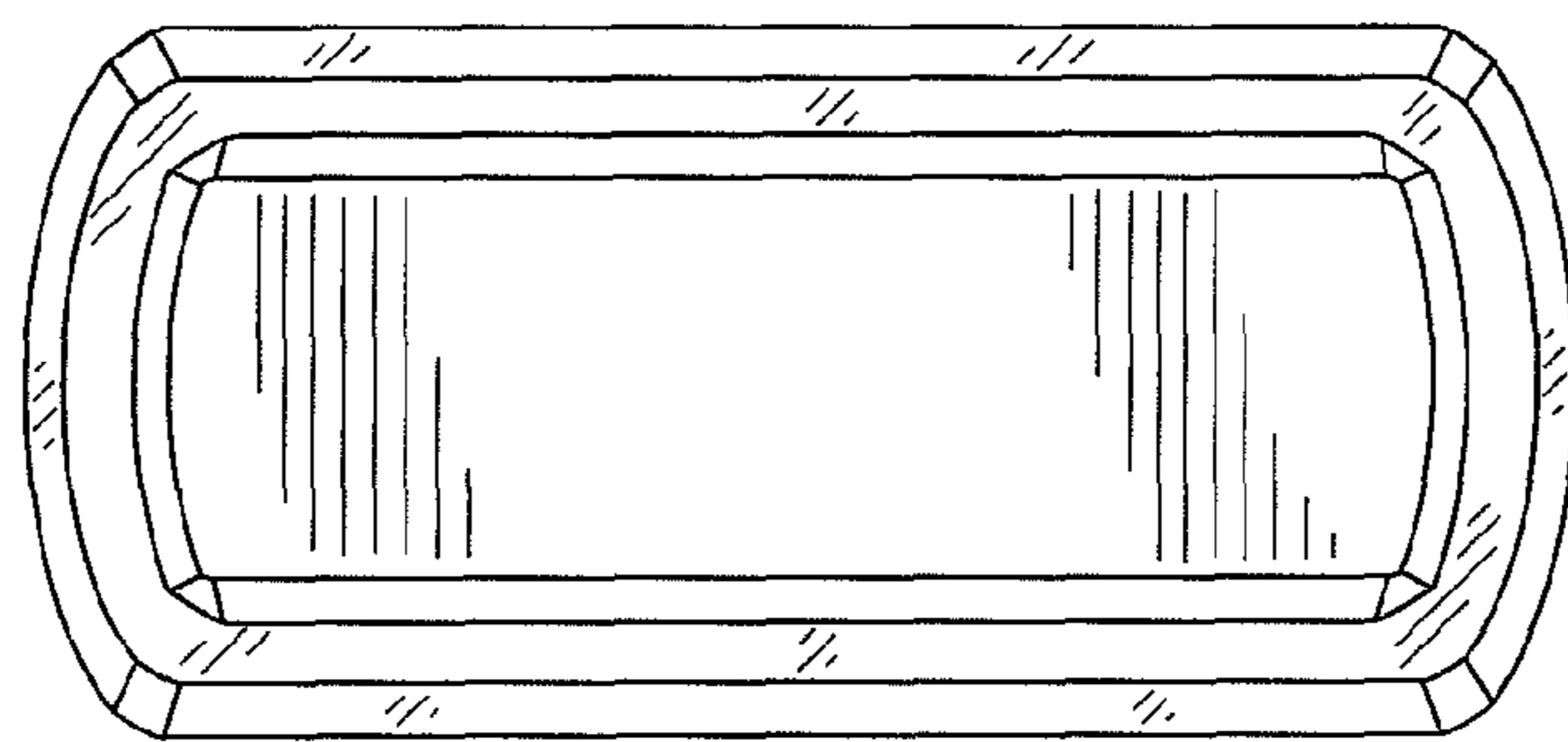


FIG. 4

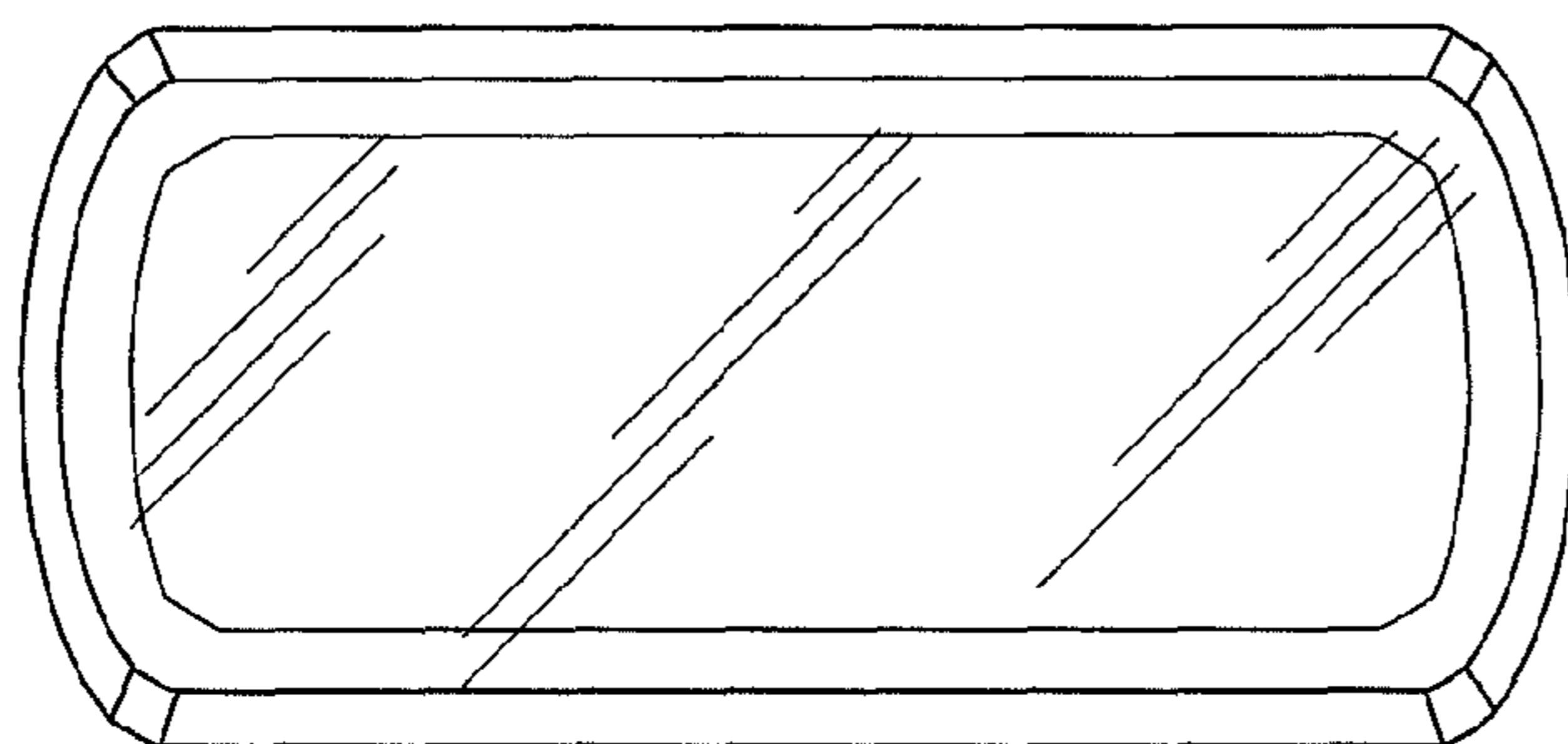


FIG. 5