



US00D646579S

(12) **United States Design Patent**  
**Rahe**

(10) **Patent No.:** **US D646,579 S**

(45) **Date of Patent:** **\*\* Oct. 11, 2011**

(54) **CONTAINER**

(75) Inventor: **Ulrike Rahe**, Kullavik (SE)

(73) Assignee: **Nolato Cerbo AB**, Trollhattan (SE)

(\*\*) Term: **14 Years**

(21) Appl. No.: **29/359,202**

(22) Filed: **Apr. 7, 2010**

(30) **Foreign Application Priority Data**

Oct. 9, 2009 (EM) ..... 001169973-0004

(51) **LOC (9) Cl.** ..... **09-01**

(52) **U.S. Cl.** ..... **D9/560**

(58) **Field of Classification Search** ..... D9/500,  
D9/503, 504, 516, 529, 559, 560, 563, 575,  
D9/434, 435, 444, 445; 215/381-385; 220/600,  
220/602, 608, 660, 662, 668, 675  
See application file for complete search history.

(56) **References Cited**

**U.S. PATENT DOCUMENTS**

D308,636 S \* 6/1990 Dinand ..... D9/529  
D334,143 S \* 3/1993 Rothfos ..... D9/529  
D418,676 S \* 1/2000 Marshall ..... D3/257

D419,073 S \* 1/2000 Jauffret ..... D9/520  
D511,688 S \* 11/2005 Baron ..... D9/560  
D564,898 S \* 3/2008 McGuinness ..... D9/687  
D577,599 S \* 9/2008 Moretti ..... D9/560  
D593,875 S \* 6/2009 Gaultier ..... D9/743  
D633,806 S \* 3/2011 Lecoule ..... D9/559

\* cited by examiner

*Primary Examiner* — Stella Reid

*Assistant Examiner* — Keli L Hill

(74) *Attorney, Agent, or Firm* — Ladas & Parry LLP

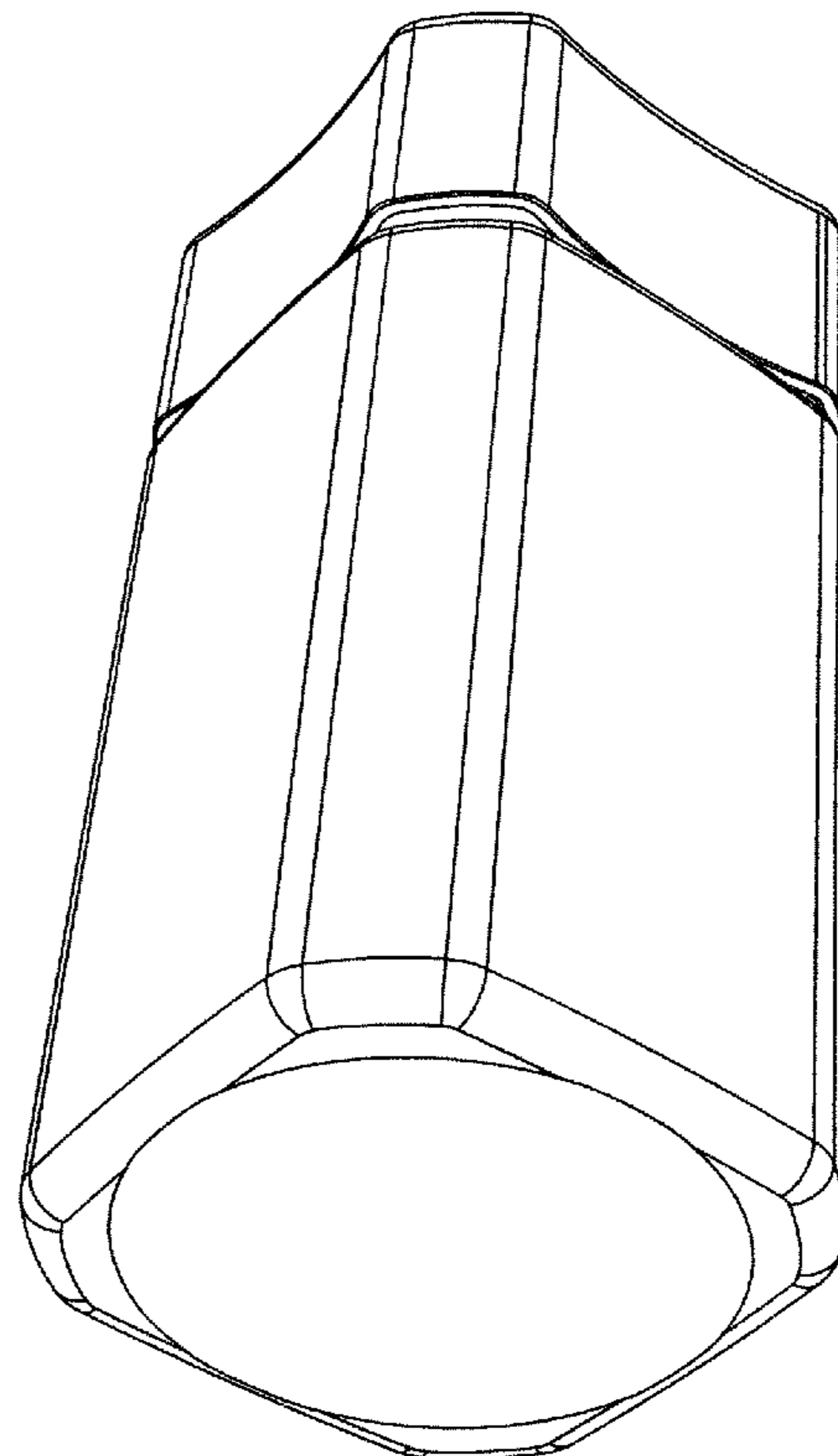
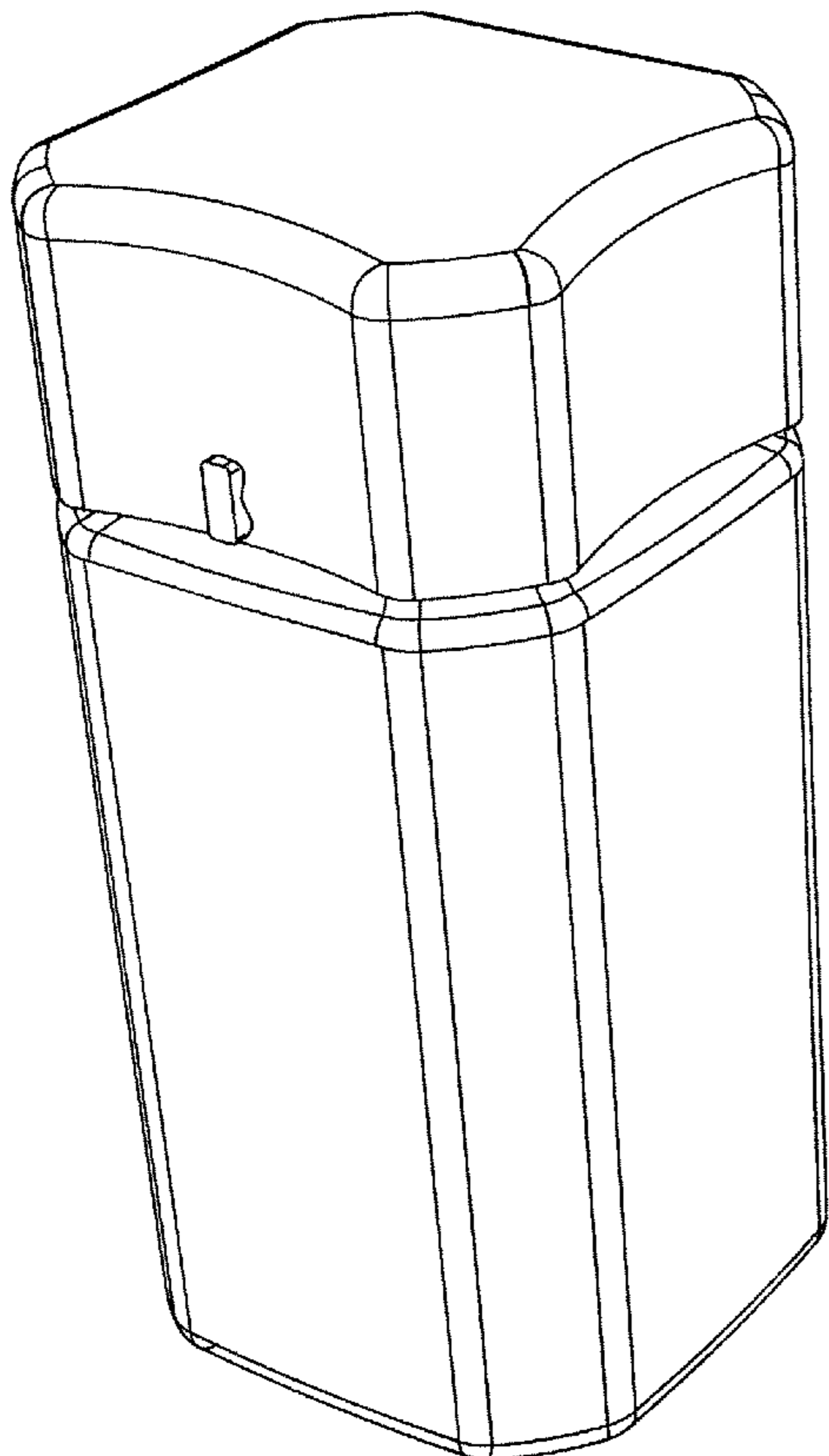
(57) **CLAIM**

The ornamental design for a container, as shown and described.

**DESCRIPTION**

FIG. 1 is a perspective view from above and to the right of the container which is the subject of the present design;  
FIG. 2 is a perspective view from below and to the rear of the container;  
FIG. 3 is a right side elevational view thereof; the left side elevational view appearing the same as the right side elevational view;  
FIG. 4 is a rear elevational view thereof;  
FIG. 5 is front elevational view thereof; and,  
FIG. 6 is a top plan view thereof.

**1 Claim, 6 Drawing Sheets**



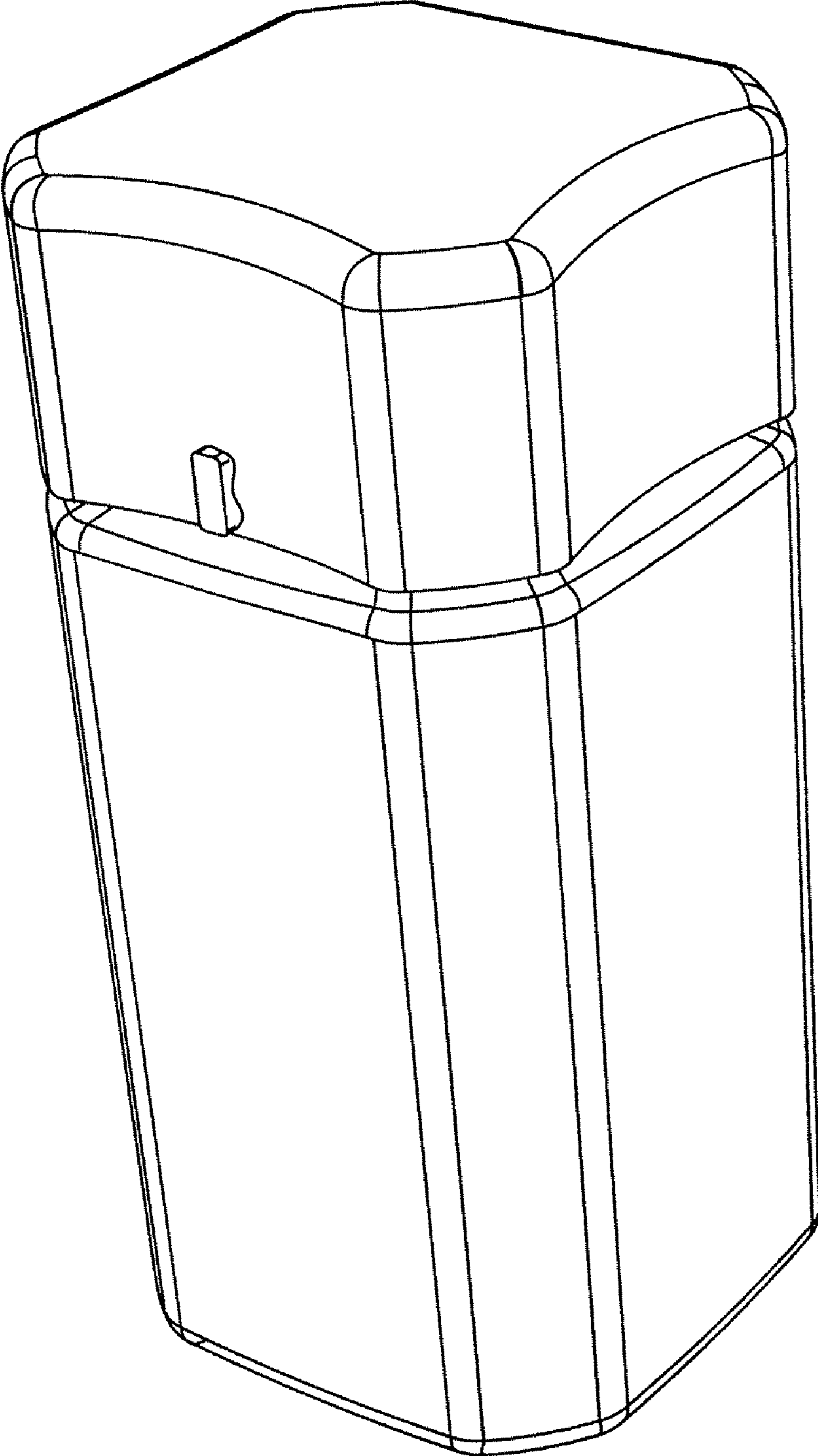


Fig. 1

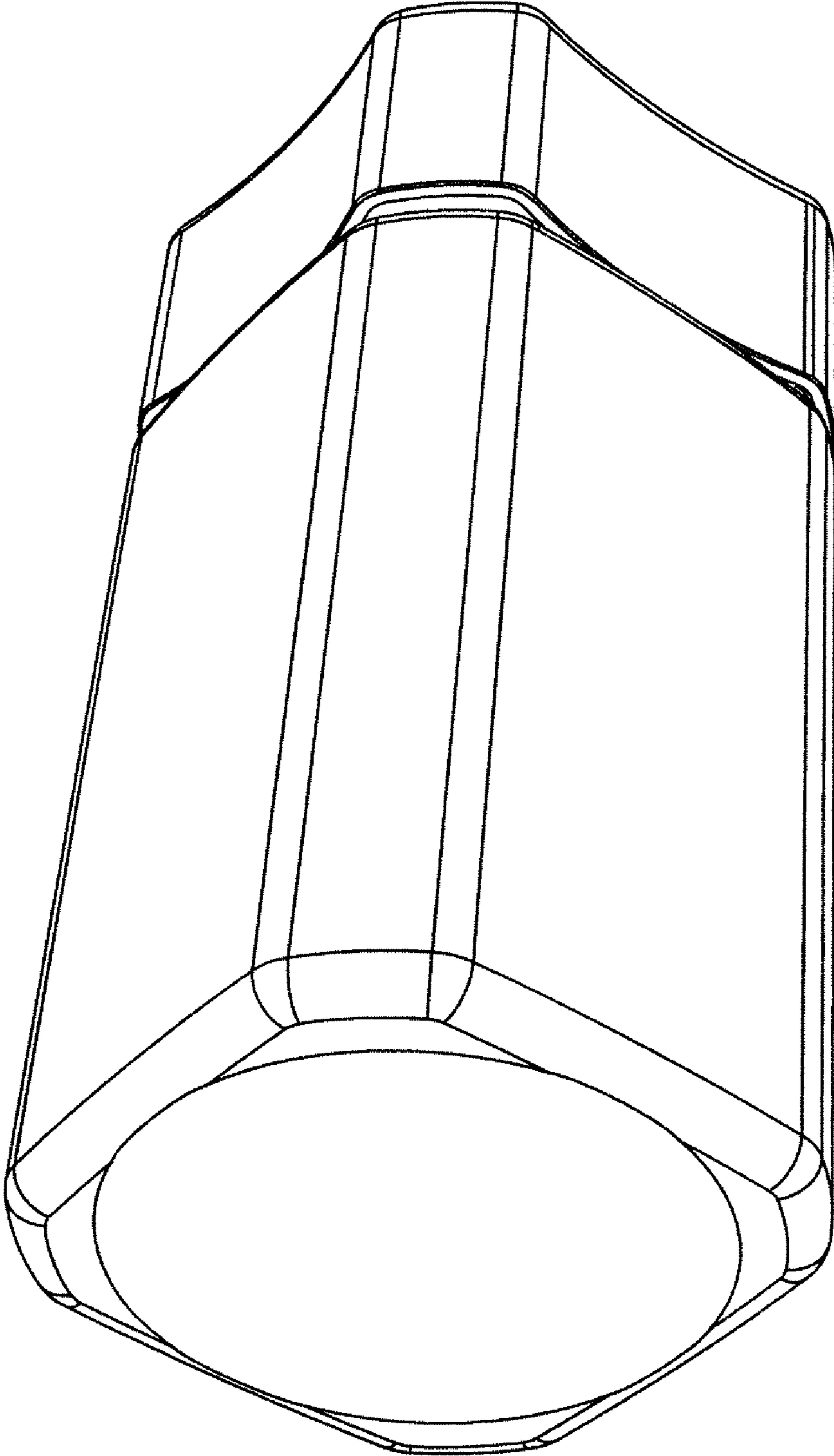


Fig. 2

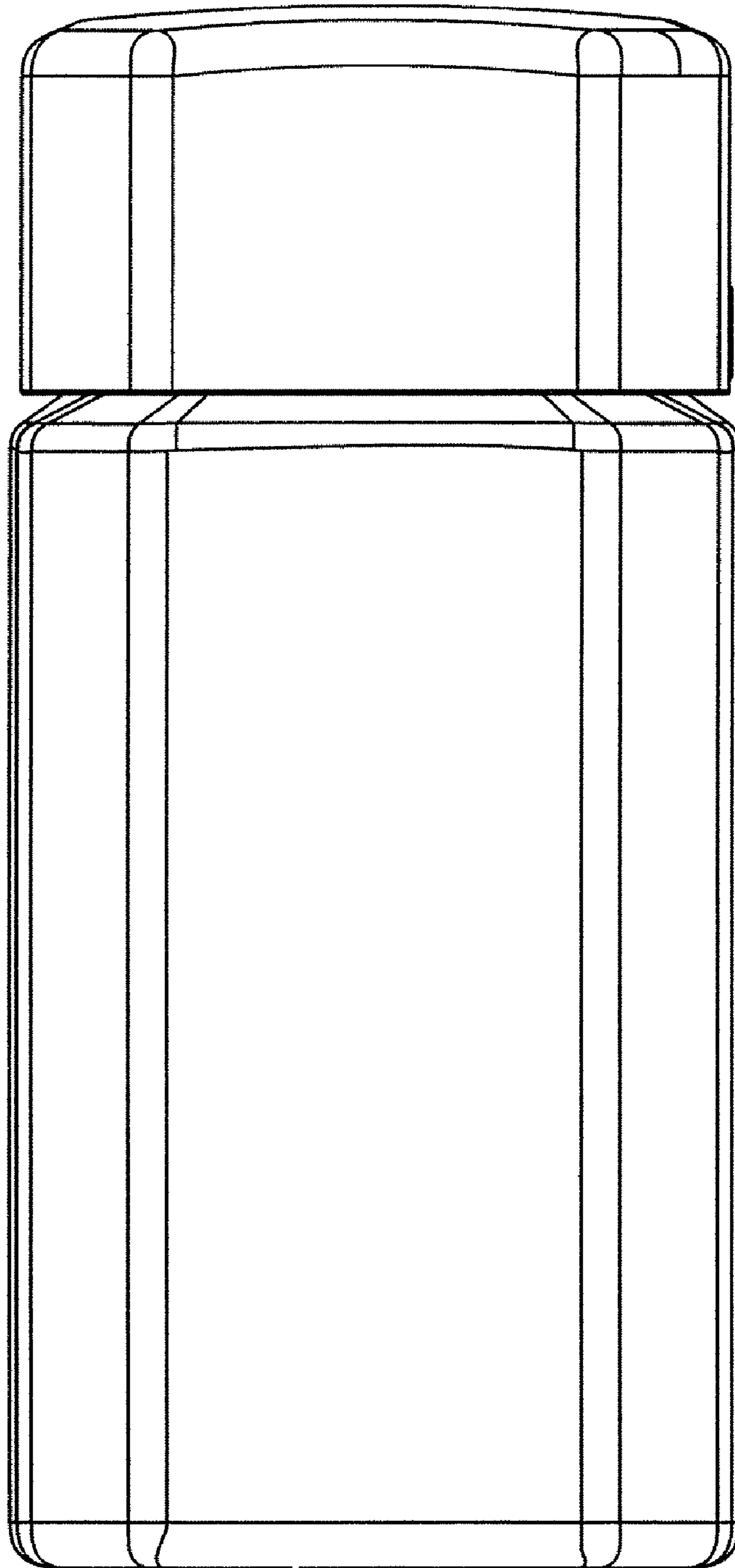


Fig. 3

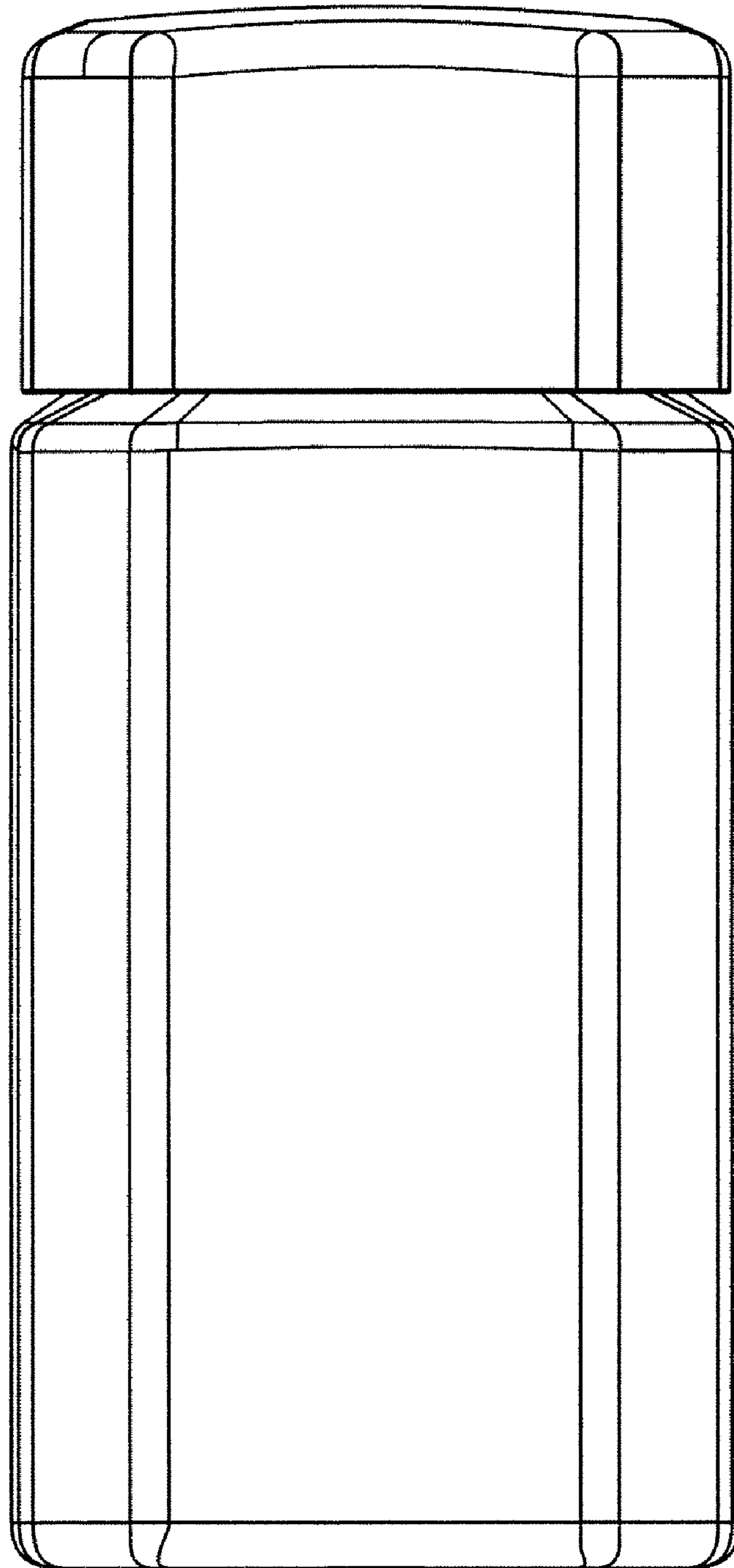


Fig. 4

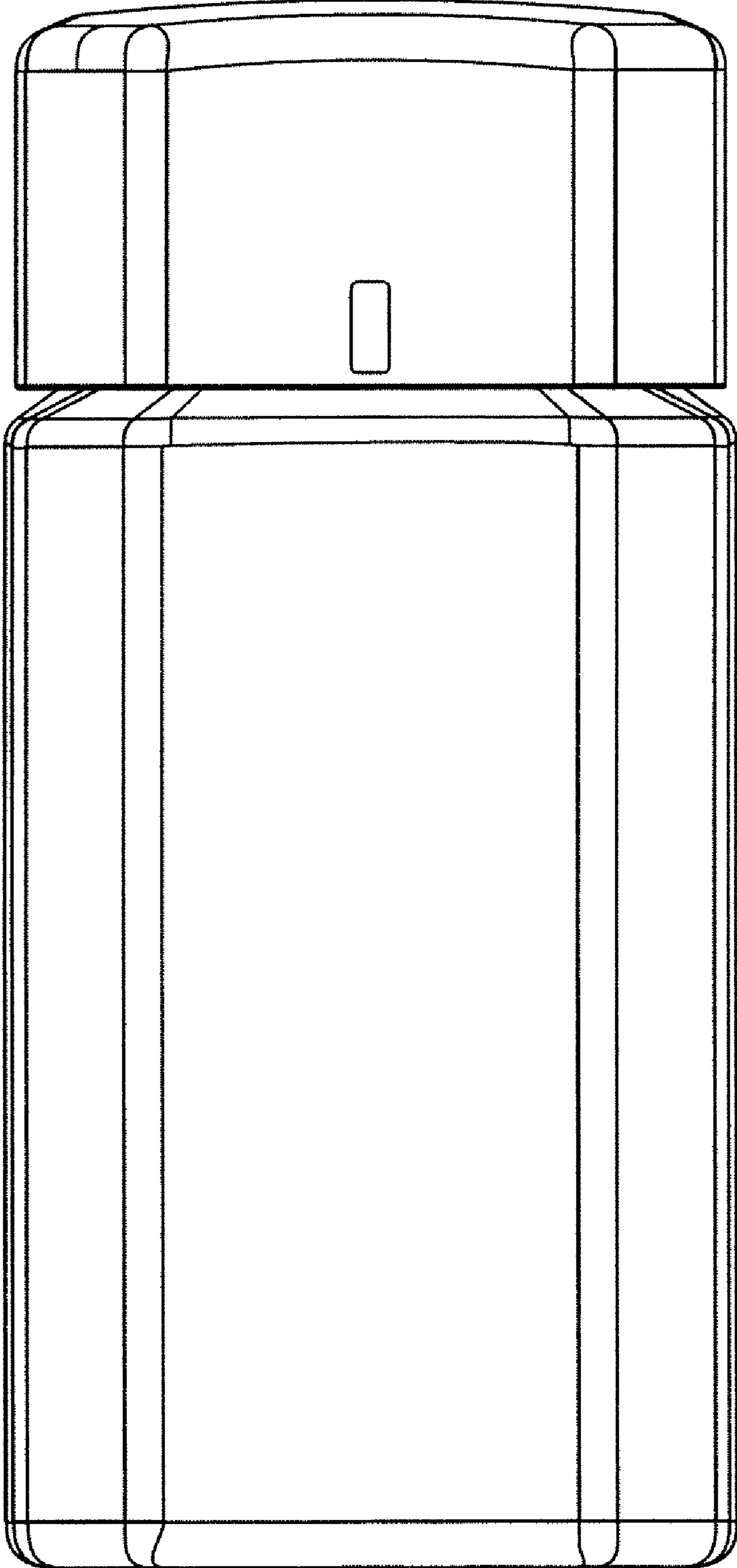


Fig. 5

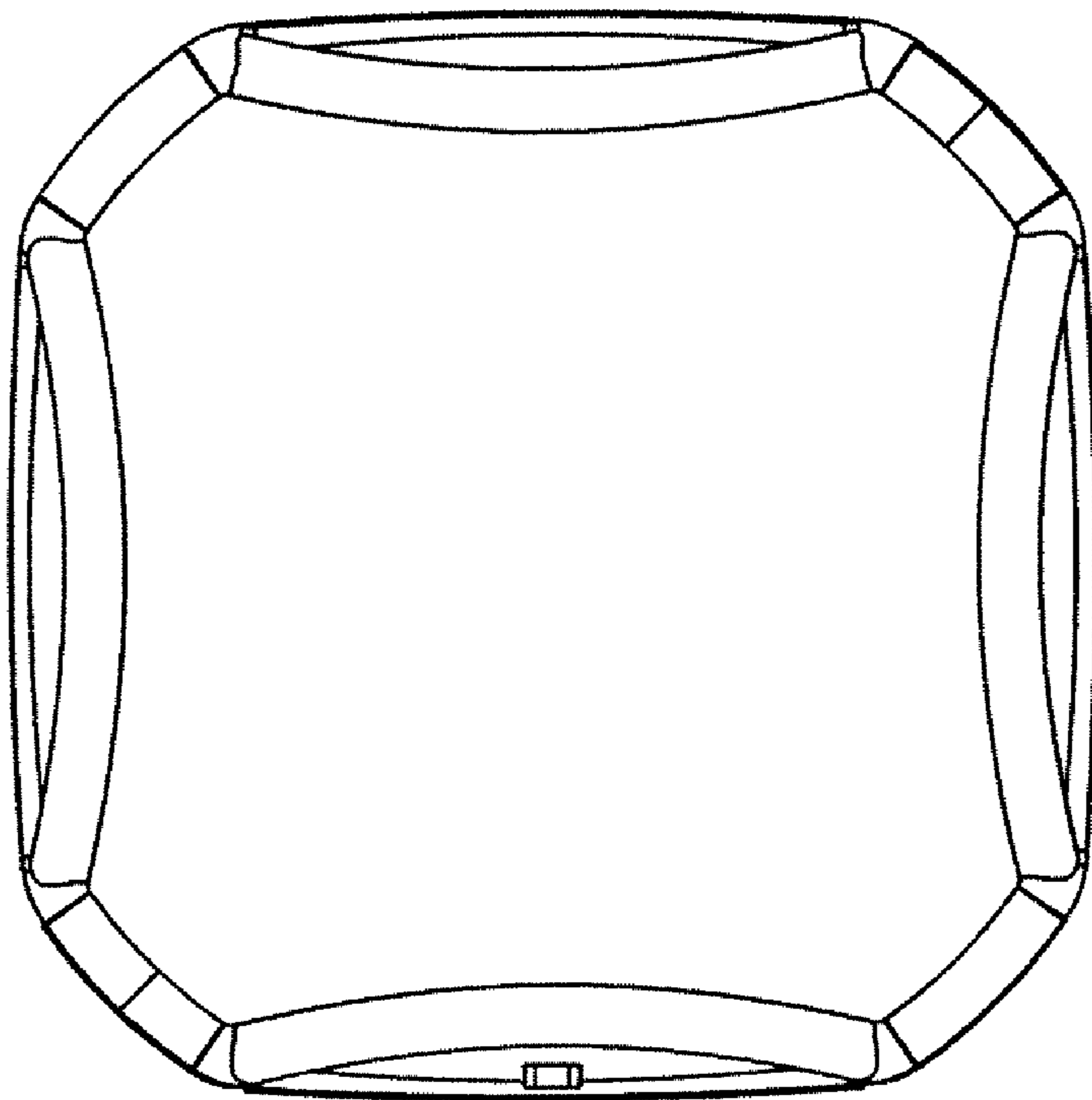


Fig. 6