



US00D646574S

(12) **United States Design Patent**  
**Boré**

(10) **Patent No.:** **US D646,574 S**

(45) **Date of Patent:** **\*\* Oct. 11, 2011**

(54) **COSMETIC BOTTLE**

(75) Inventor: **Olivier Boré**, Parmain (FR)

(73) Assignee: **Henkel AG & Co. KGaA**, Duesseldorf (DE)

(\*\*) Term: **14 Years**

(21) Appl. No.: **29/385,186**

(22) Filed: **Feb. 10, 2011**

(51) **LOC (9) Cl.** ..... **09-01**

(52) **U.S. Cl.** ..... **D9/529; D9/549; D9/574**

(58) **Field of Classification Search** ..... D9/434,  
D9/435, 444, 516, 529, 549, 574, 575, 682,  
D9/686, 688, 690, 691; 215/381-385, 355,  
215/396-398; 220/660, 662, 669

See application file for complete search history.

(56) **References Cited**

**U.S. PATENT DOCUMENTS**

D310,480 S *	9/1990	Geiger .....	D9/689
D350,836 S *	9/1994	Chevassus .....	D28/76
D355,029 S *	1/1995	Kinneir et al. ....	D24/110
D374,817 S *	10/1996	Bertolini et al. ....	D9/727
D411,749 S *	6/1999	Nahum-Albright .....	D9/529
D453,106 S *	1/2002	Peltrault .....	D9/687
D493,257 S *	7/2004	McCorkindale .....	D28/66
D505,865 S *	6/2005	Seizer et al. ....	D9/688
D538,668 S *	3/2007	Campbell et al. ....	D9/529
D555,012 S *	11/2007	Yamauchi et al. ....	D9/724
D558,060 S *	12/2007	Šir .....	D9/687
D624,829 S *	10/2010	Ramsey et al. ....	D9/687
D628,490 S *	12/2010	Sato et al. ....	D9/529
D638,715 S *	5/2011	Albaum et al. ....	D9/529

\* cited by examiner

*Primary Examiner* — Stella Reid

*Assistant Examiner* — Keli L Hill

(74) *Attorney, Agent, or Firm* — David P. LeCroy

(57) **CLAIM**

The ornamental design for a cosmetic bottle, as shown and described.

**DESCRIPTION**

FIG. 1 is a front perspective view of the cosmetic bottle showing my new design;

FIG. 2 is a front side elevational view thereof;

FIG. 3 is a rear side elevational view thereof;

FIG. 4 is a side elevational view thereof;

FIG. 5 is a top plan view thereof;

FIG. 6 is a bottom plan view thereof;

FIG. 7 is a front perspective view thereof, shown with the cap removed;

FIG. 8 is a front elevational view thereof;

FIG. 9 is a rear elevational view thereof;

FIG. 10 is a side elevational view thereof;

FIG. 11 is a top plan view thereof;

FIG. 12 is a bottom plan view thereof;

FIG. 13 is a front perspective view of a second embodiment of a cosmetic bottle, showing my new design with a transparent cap;

FIG. 14 is a front elevational view thereof;

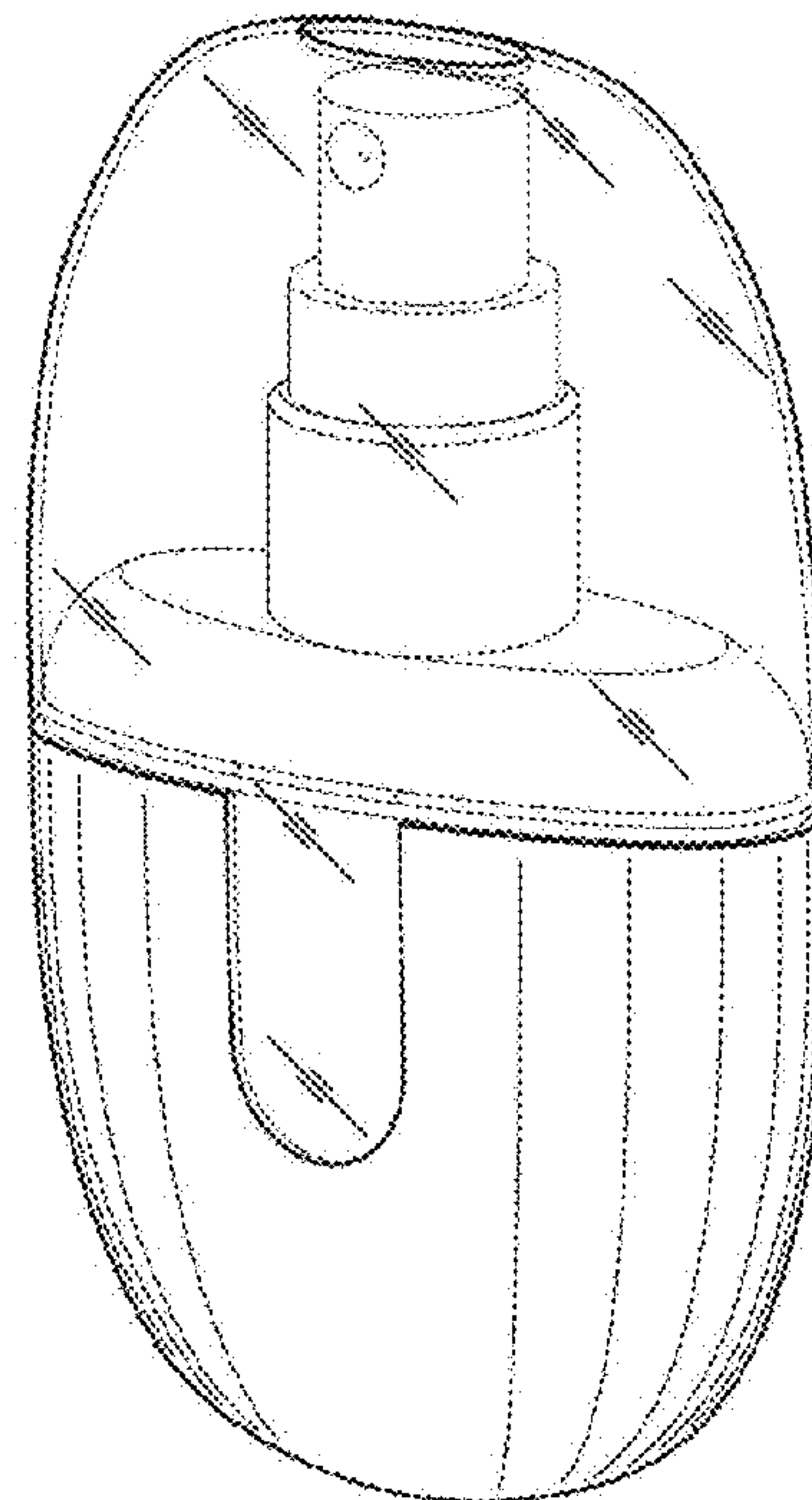
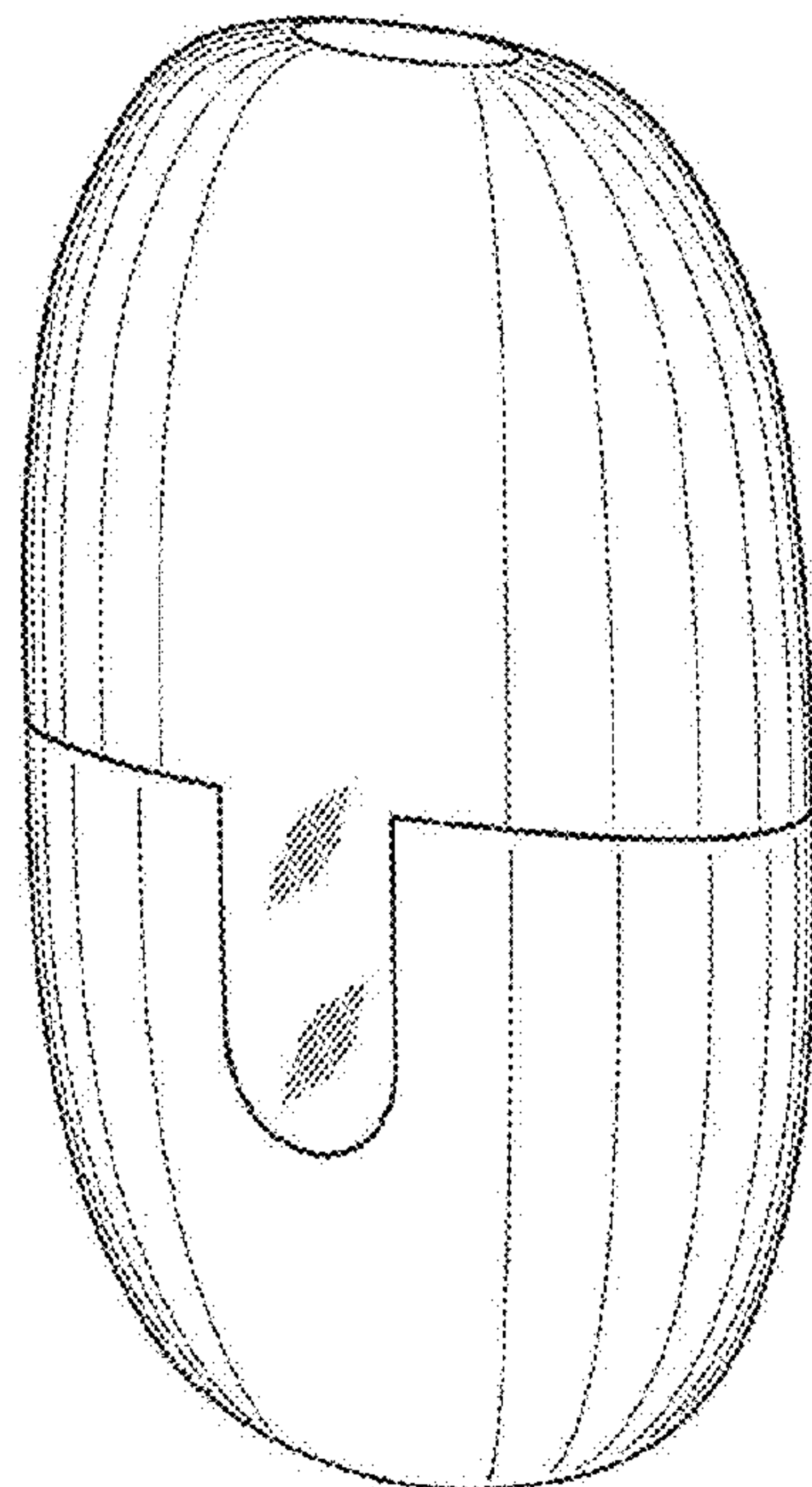
FIG. 15 is a rear elevational view thereof;

FIG. 16 is a side elevational view thereof;

FIG. 17 is a top plan view thereof; and,

FIG. 18 is a bottom plan view thereof.

**1 Claim, 18 Drawing Sheets**



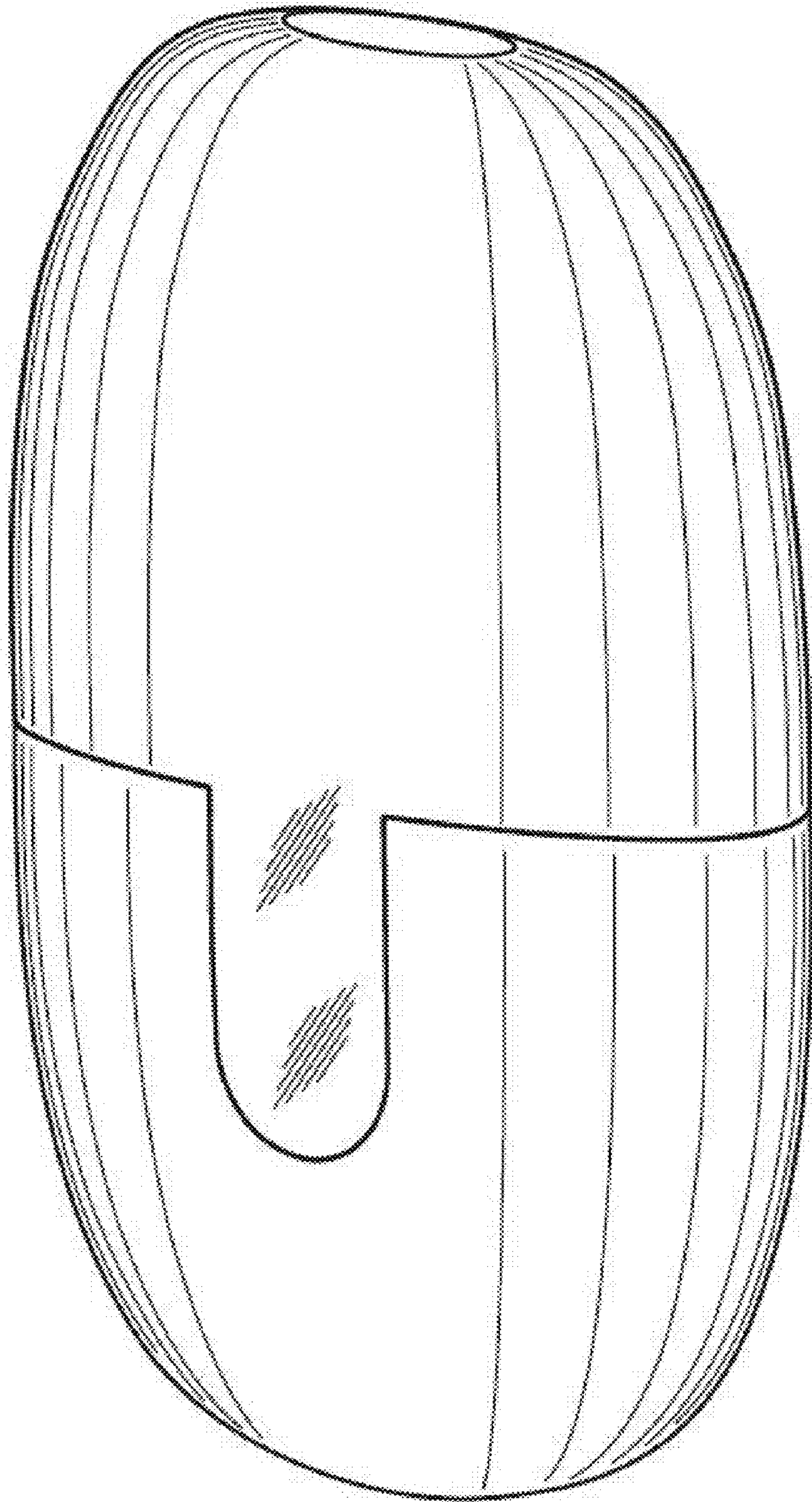


Figure 1



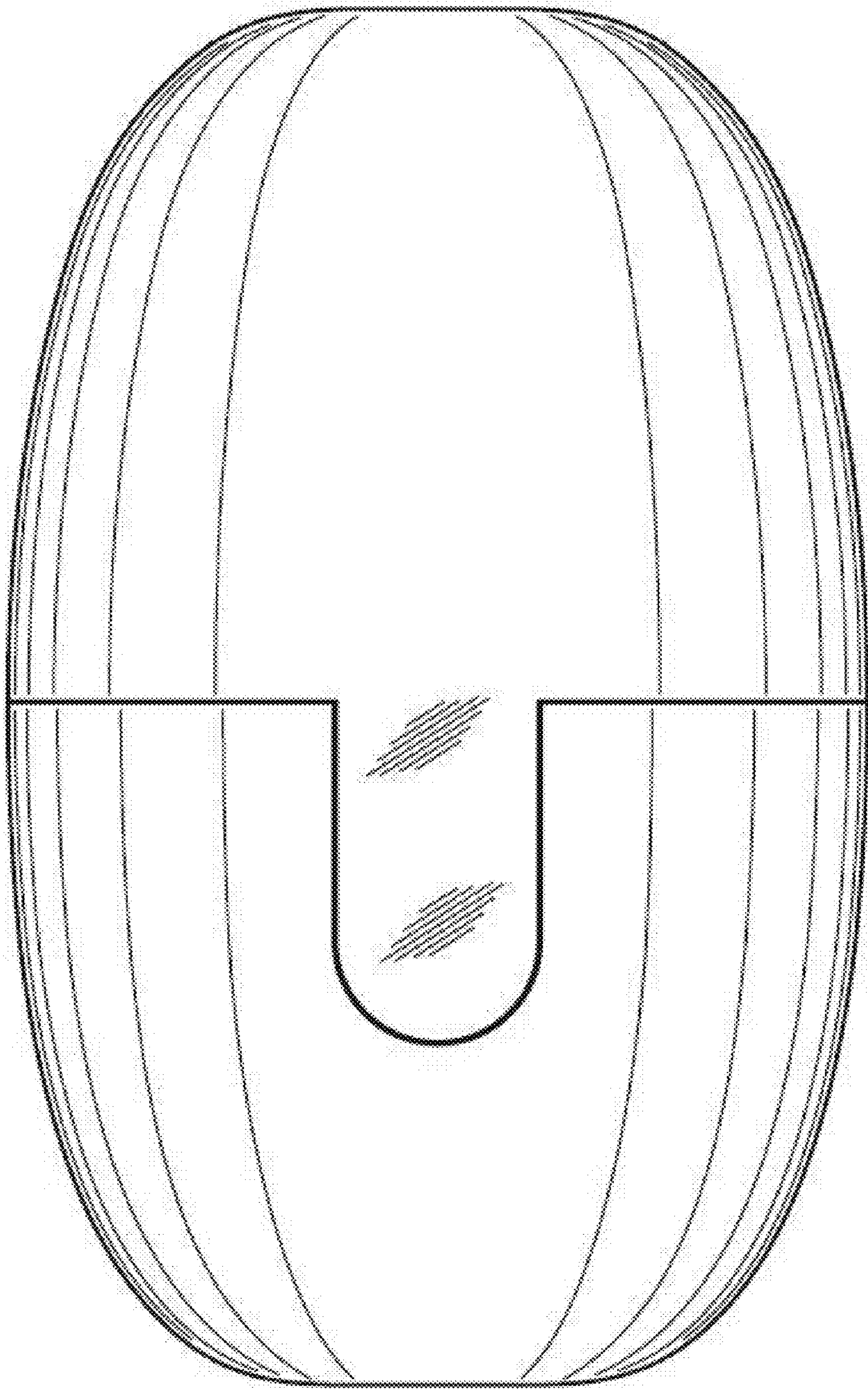


Figure 2

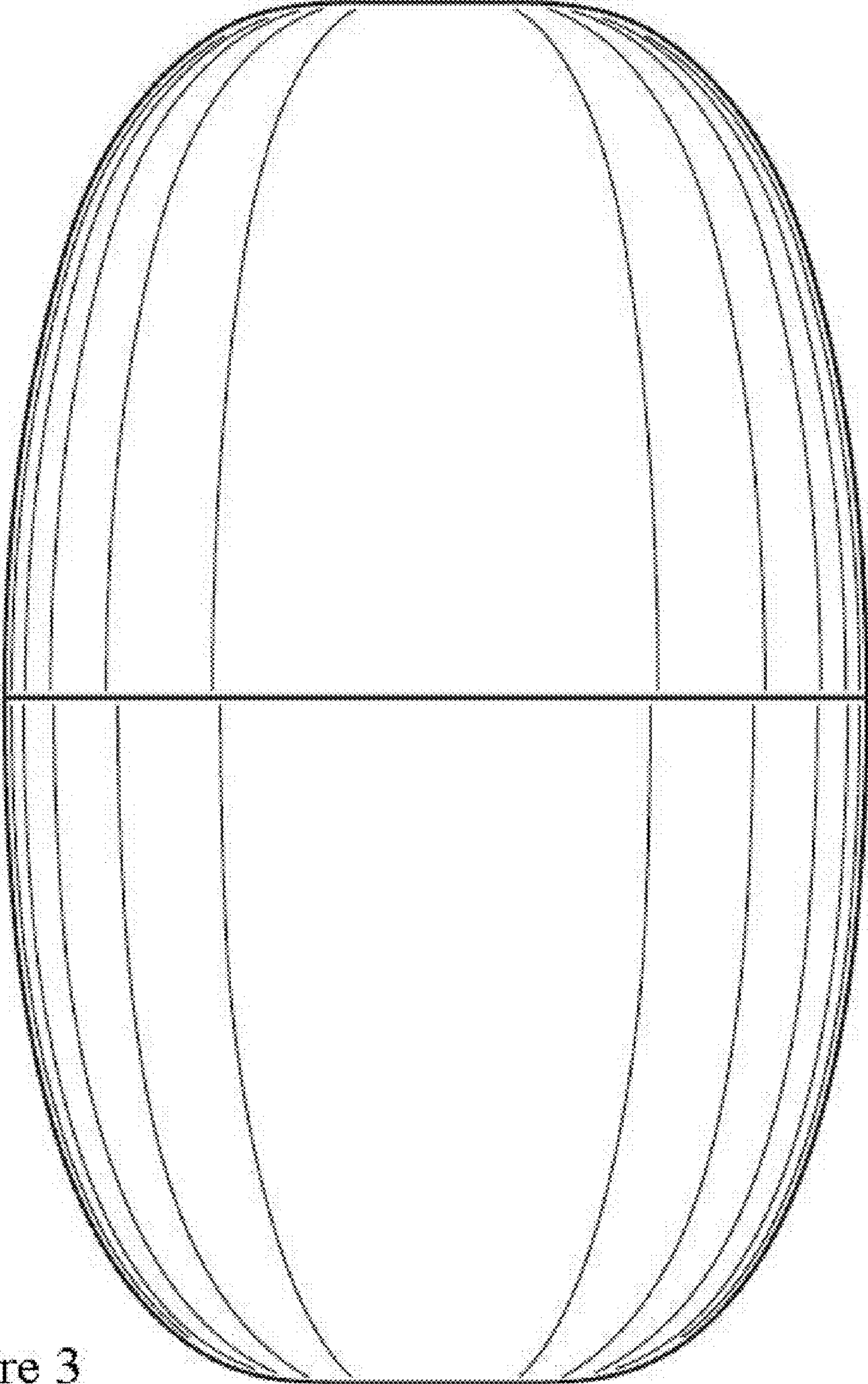


Figure 3



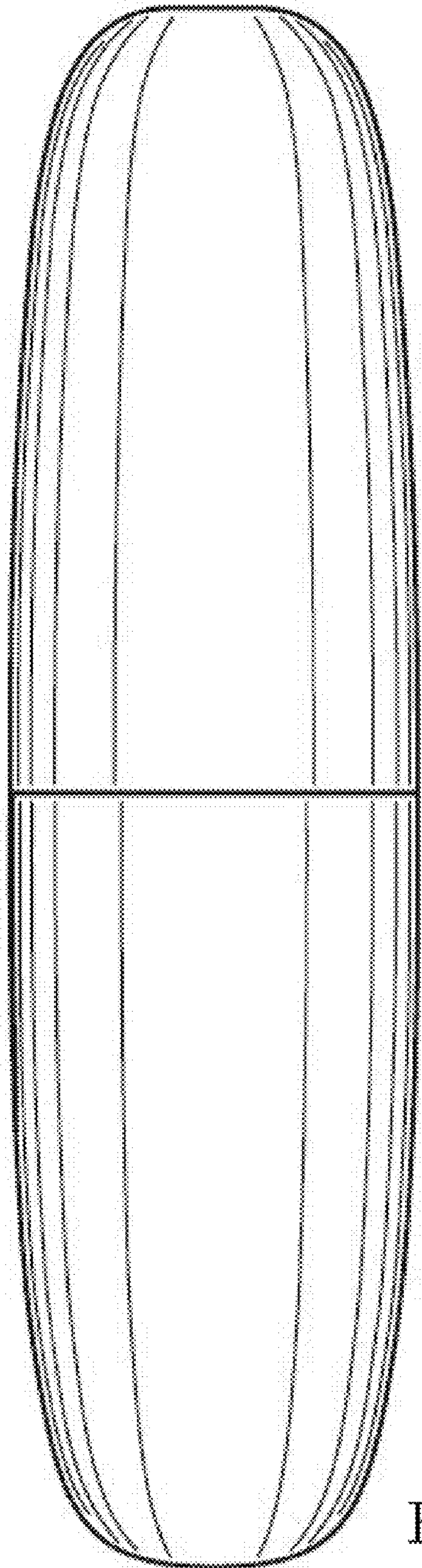


Figure 4

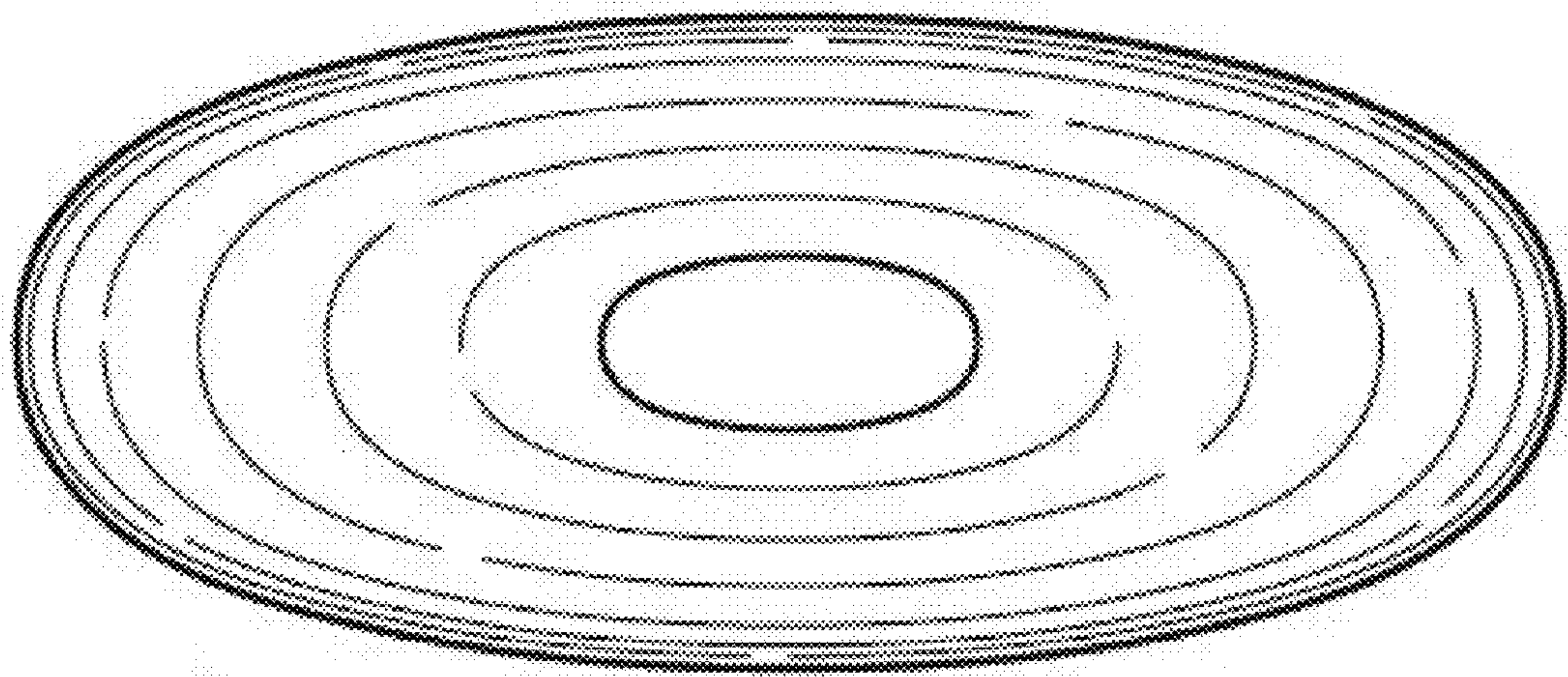


Figure 5

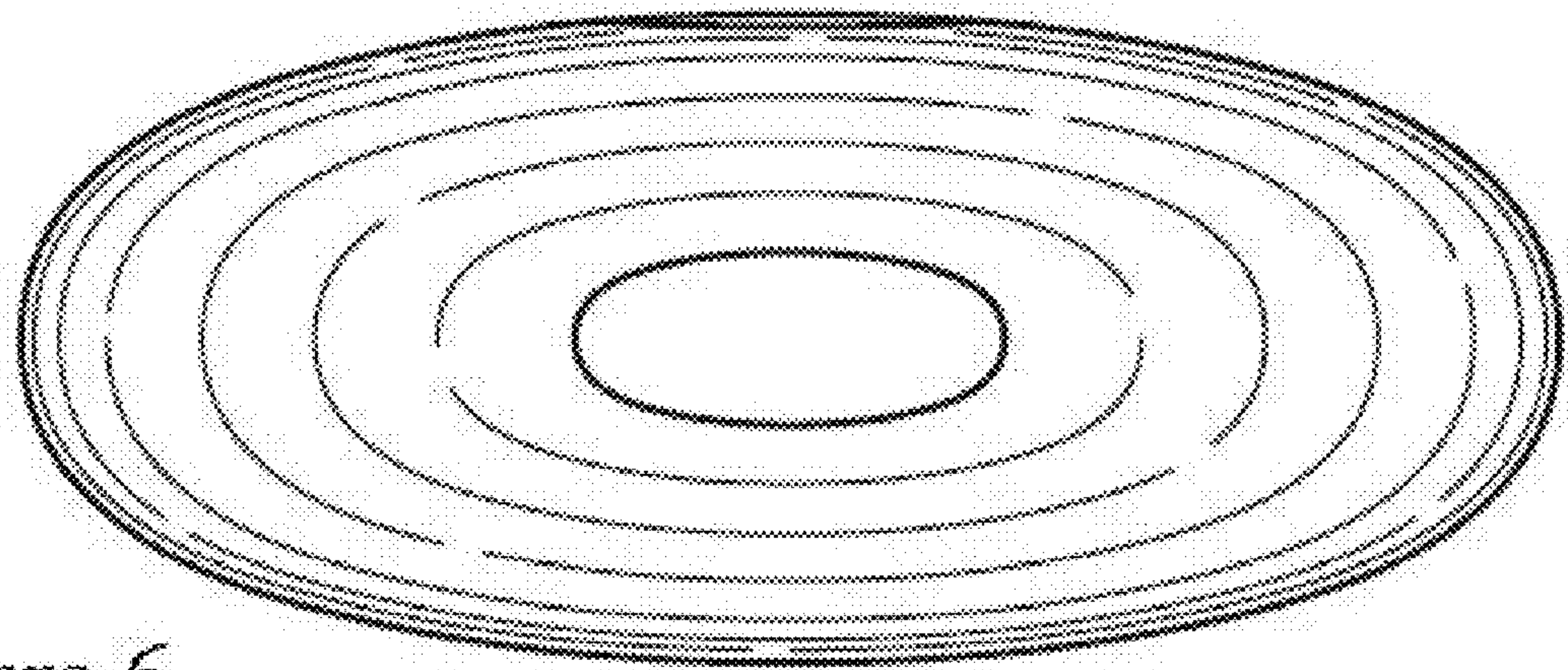


Figure 6



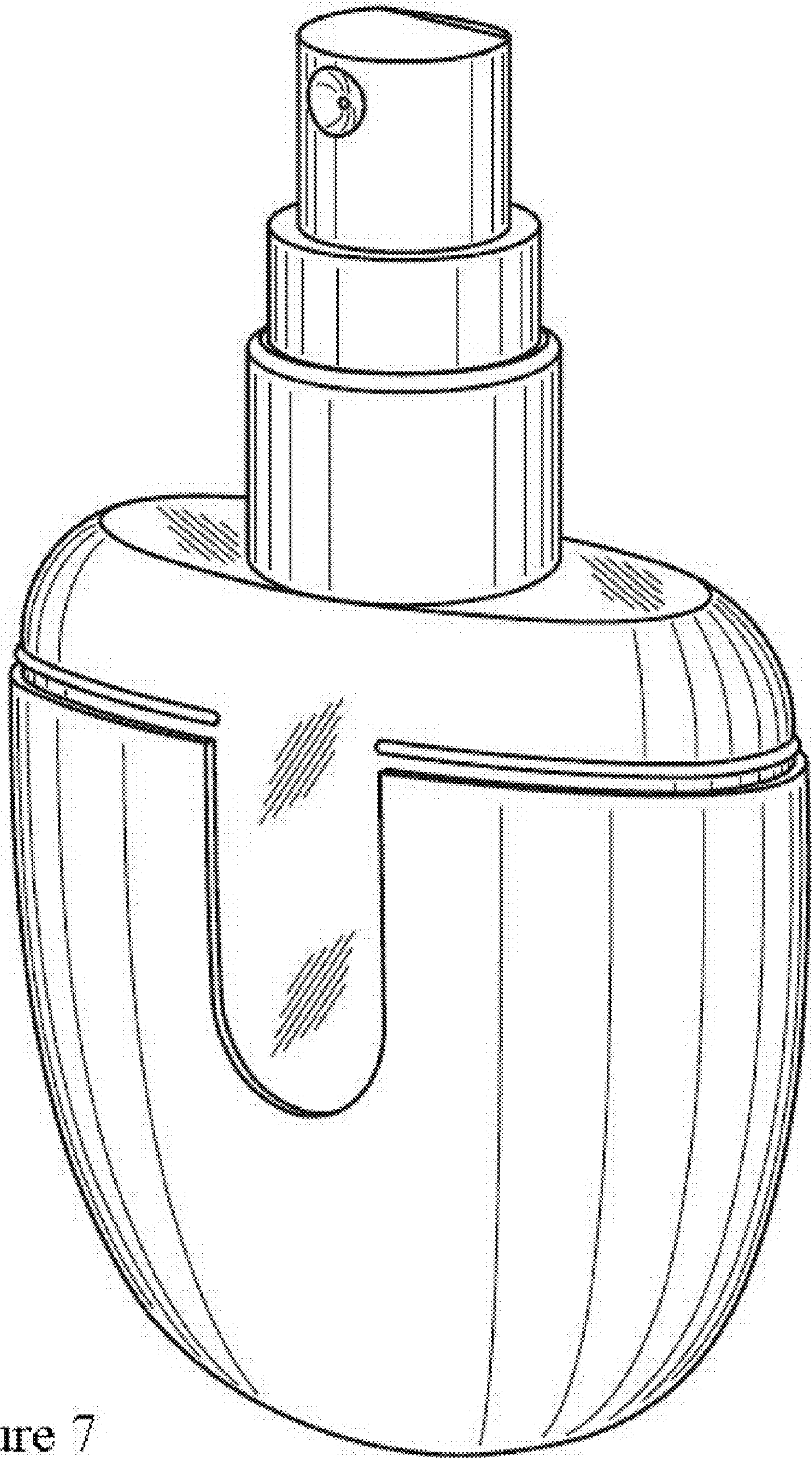


Figure 7



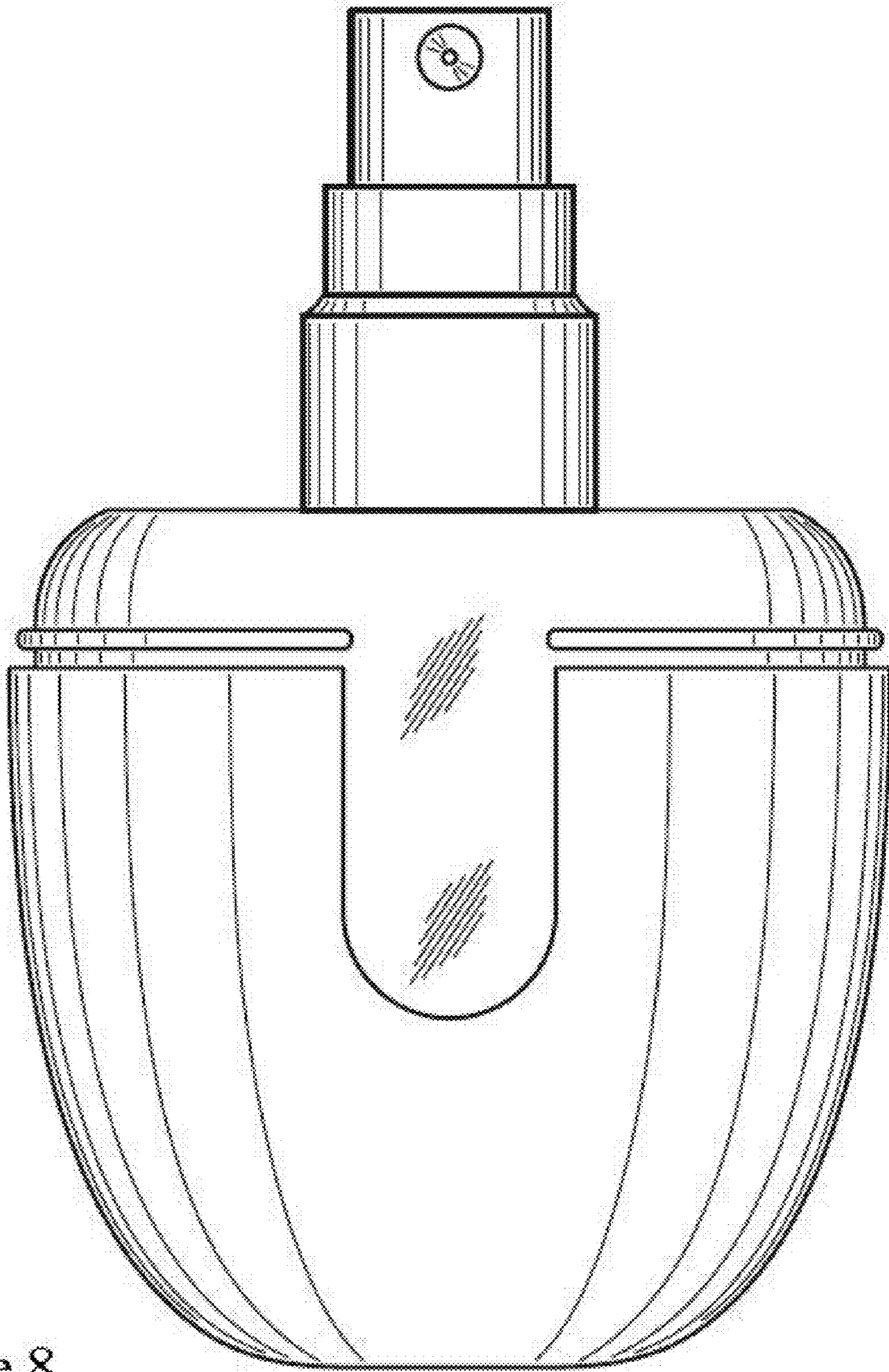


Figure 8

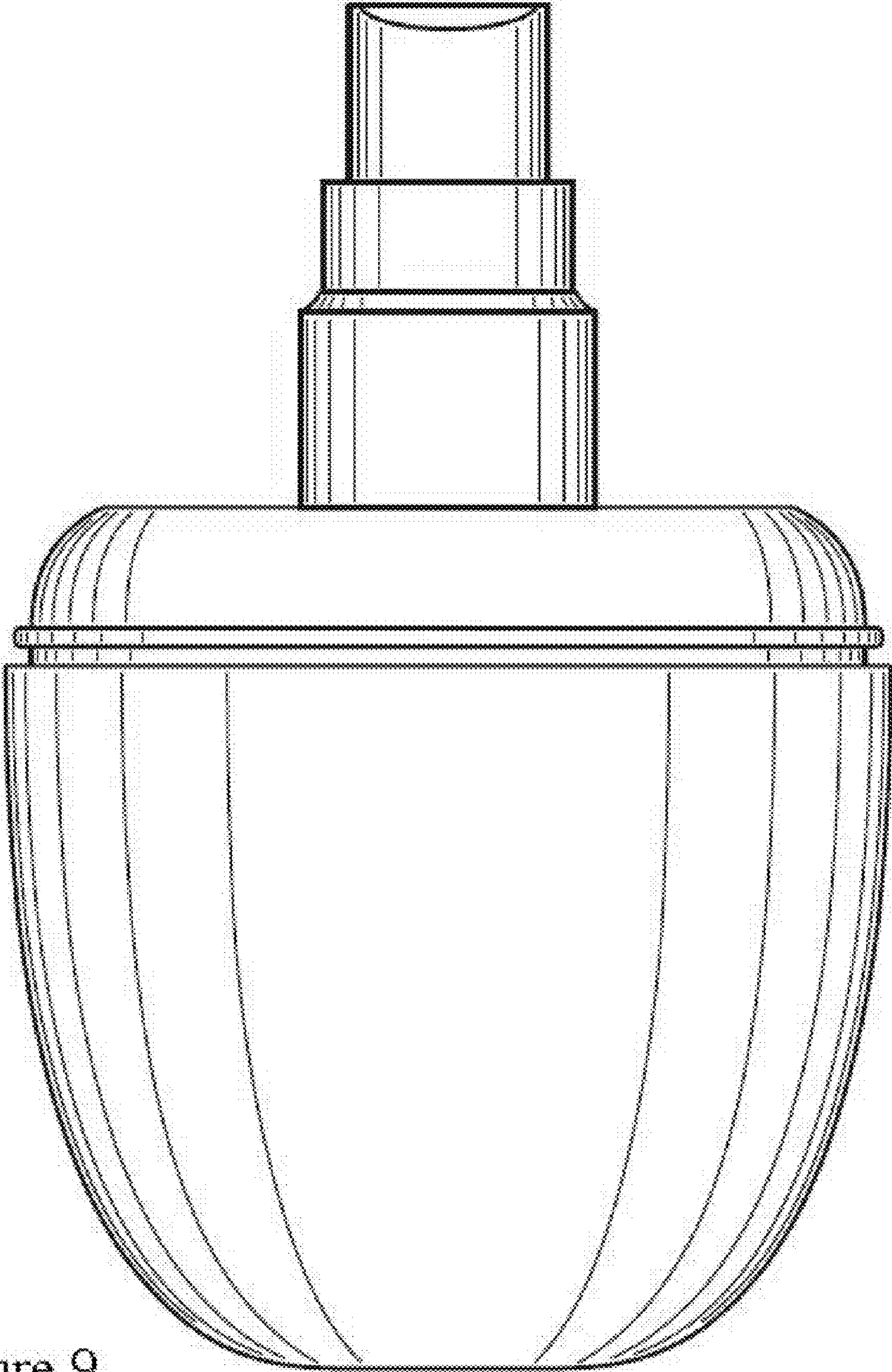


Figure 9



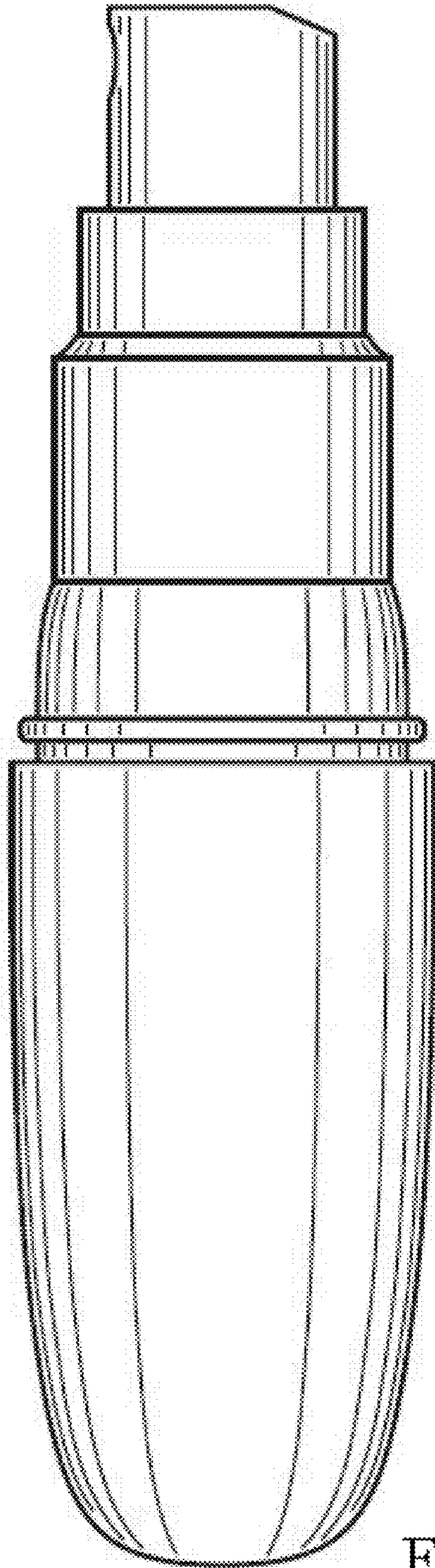


Figure 10

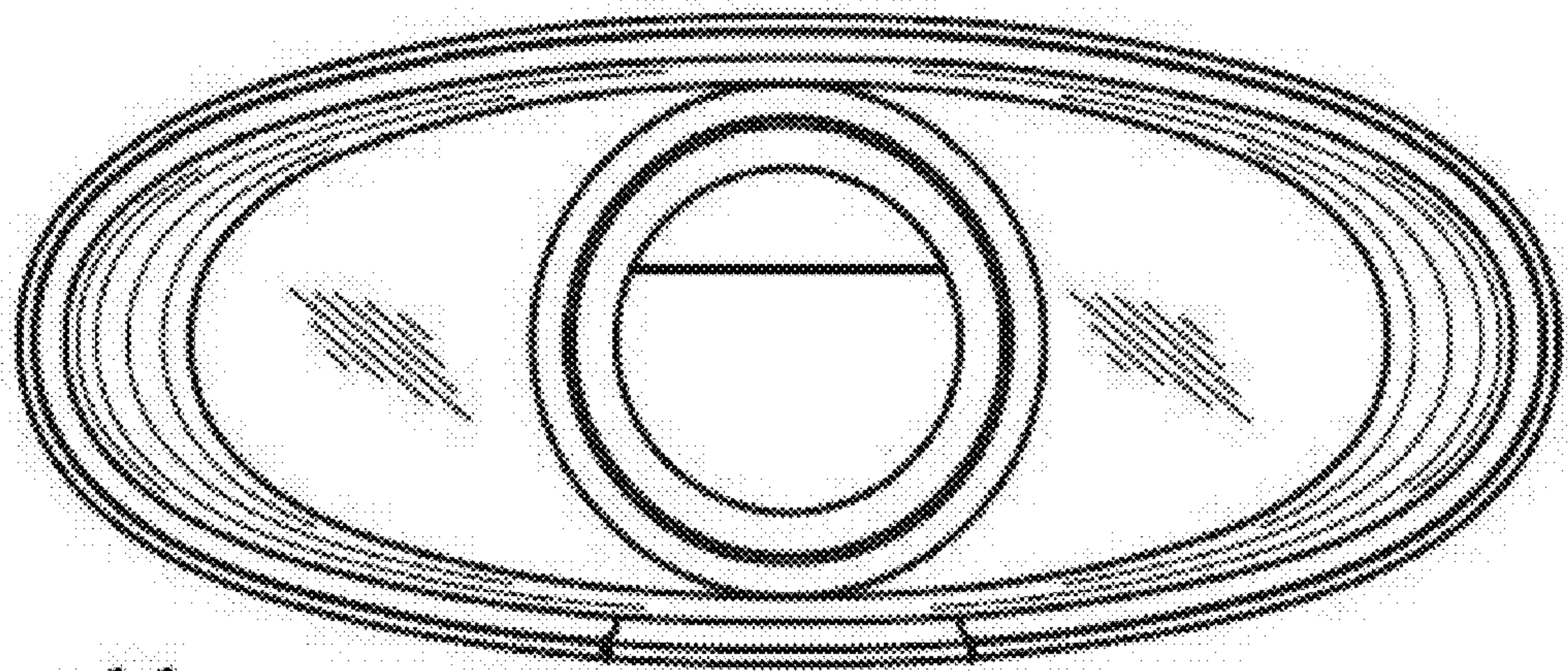


Figure 11



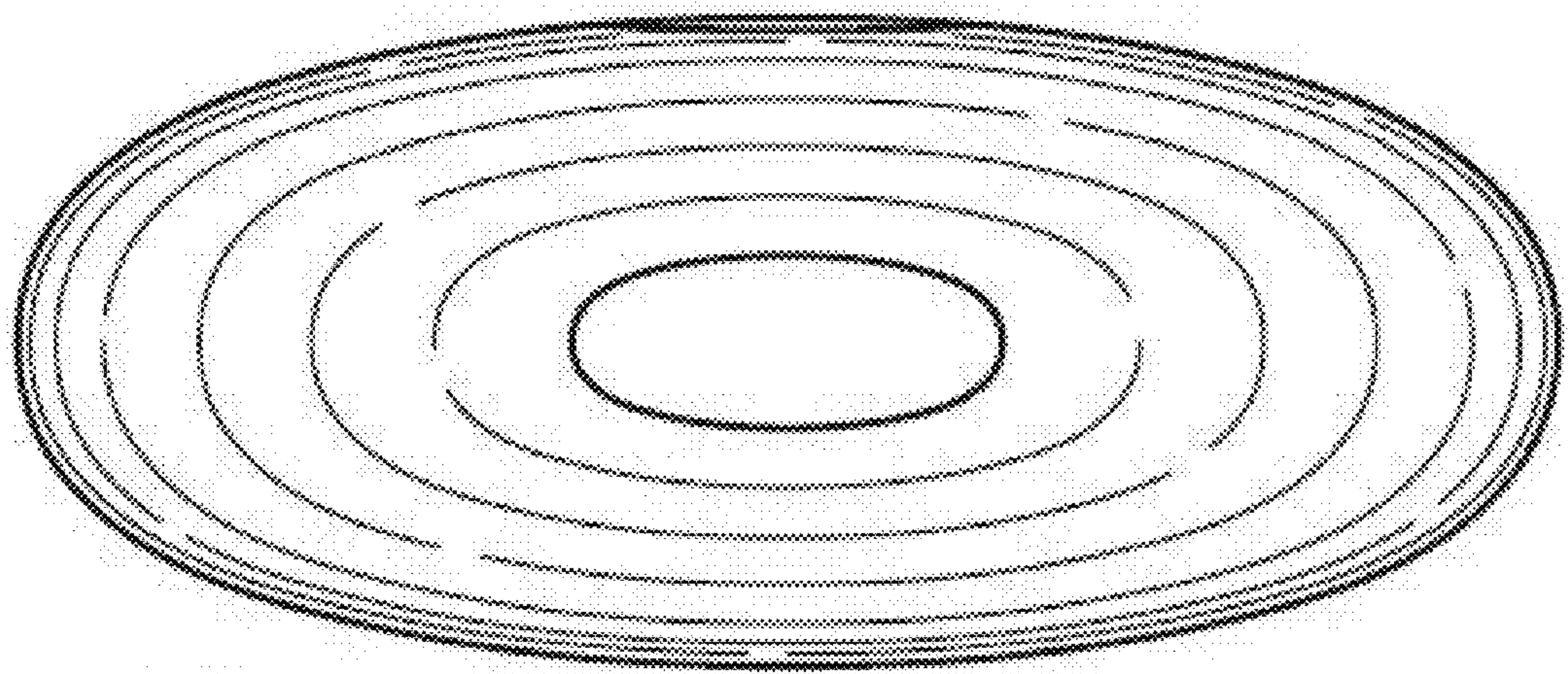


Figure 12

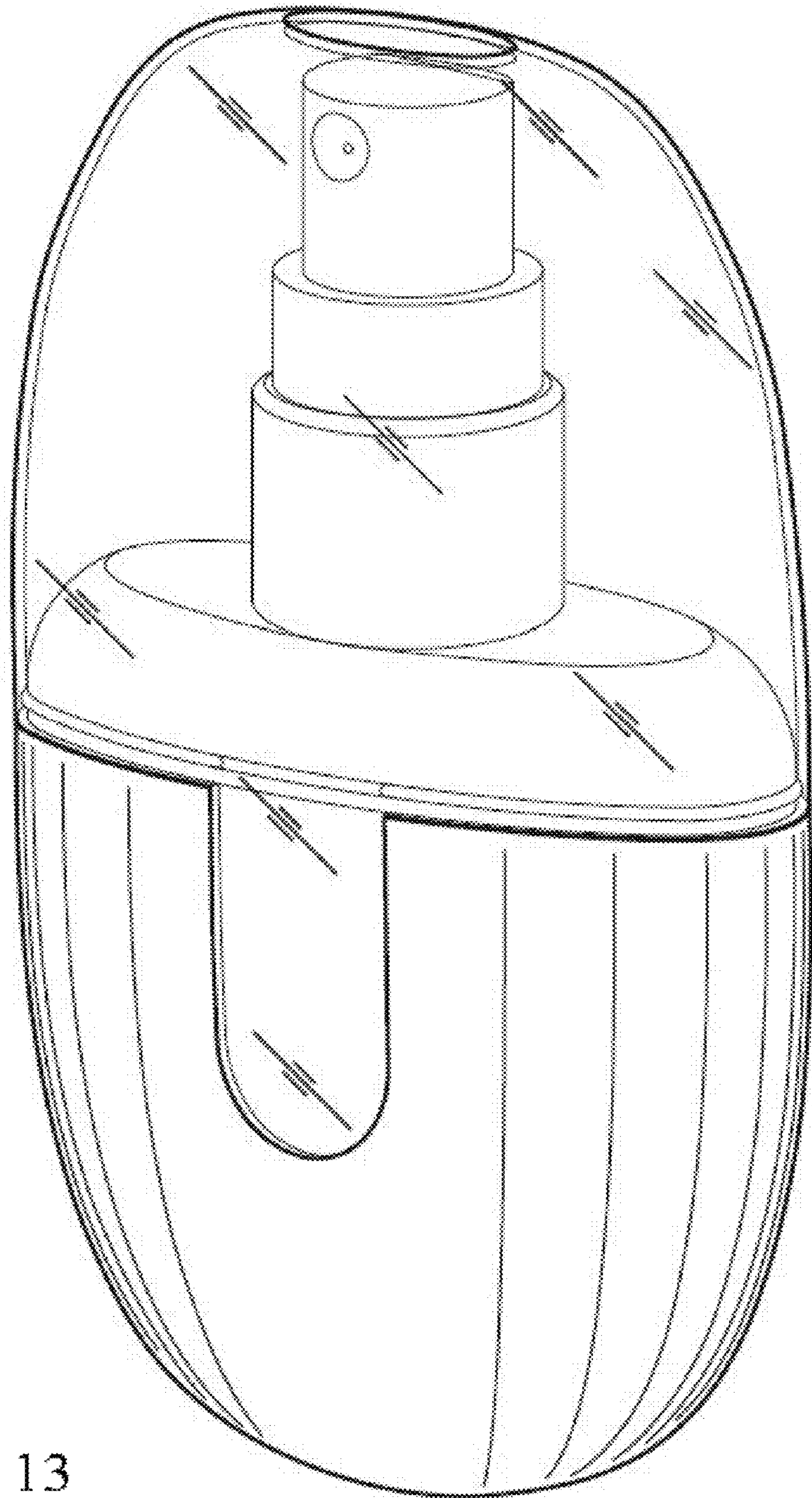


Figure 13



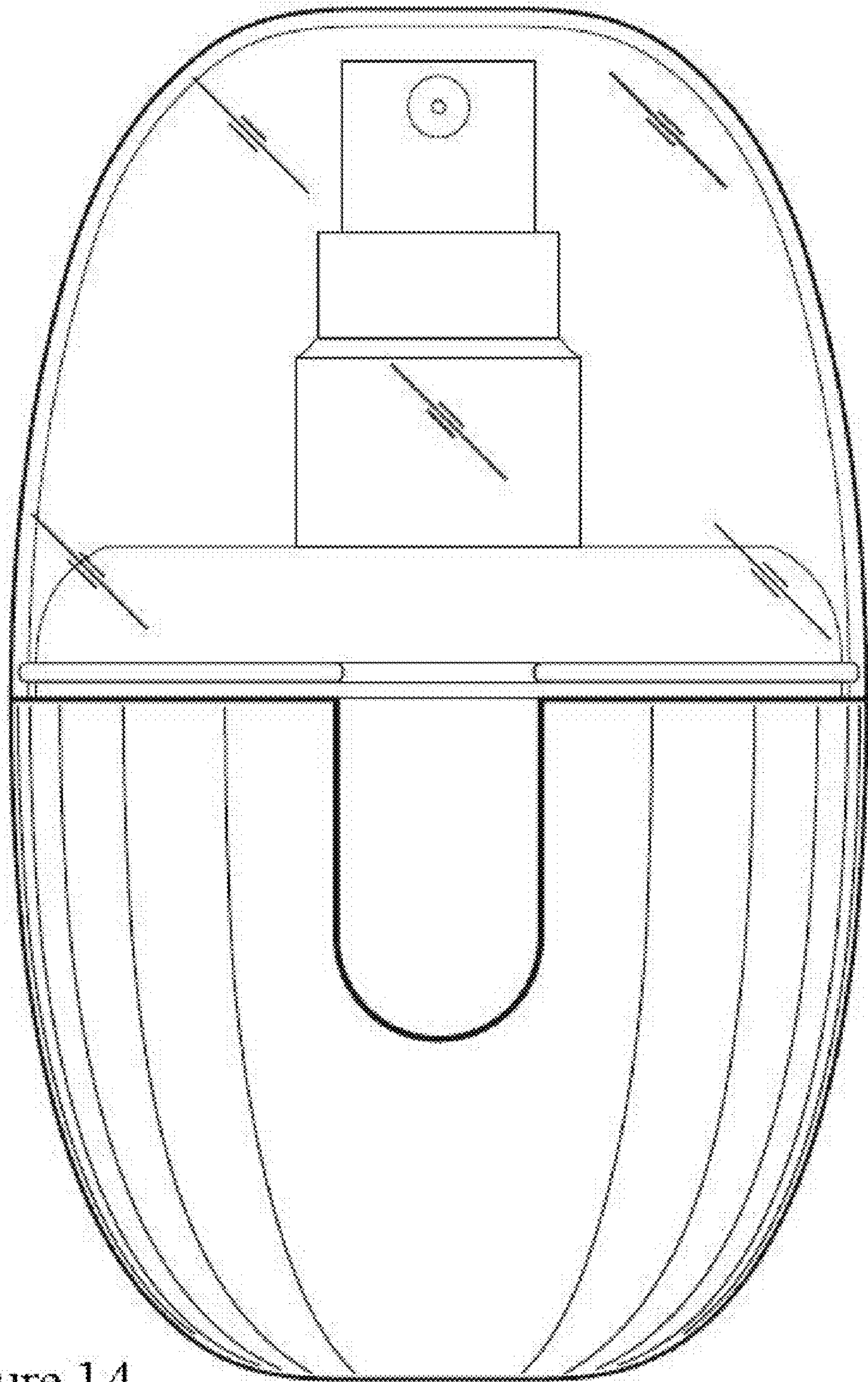


Figure 14

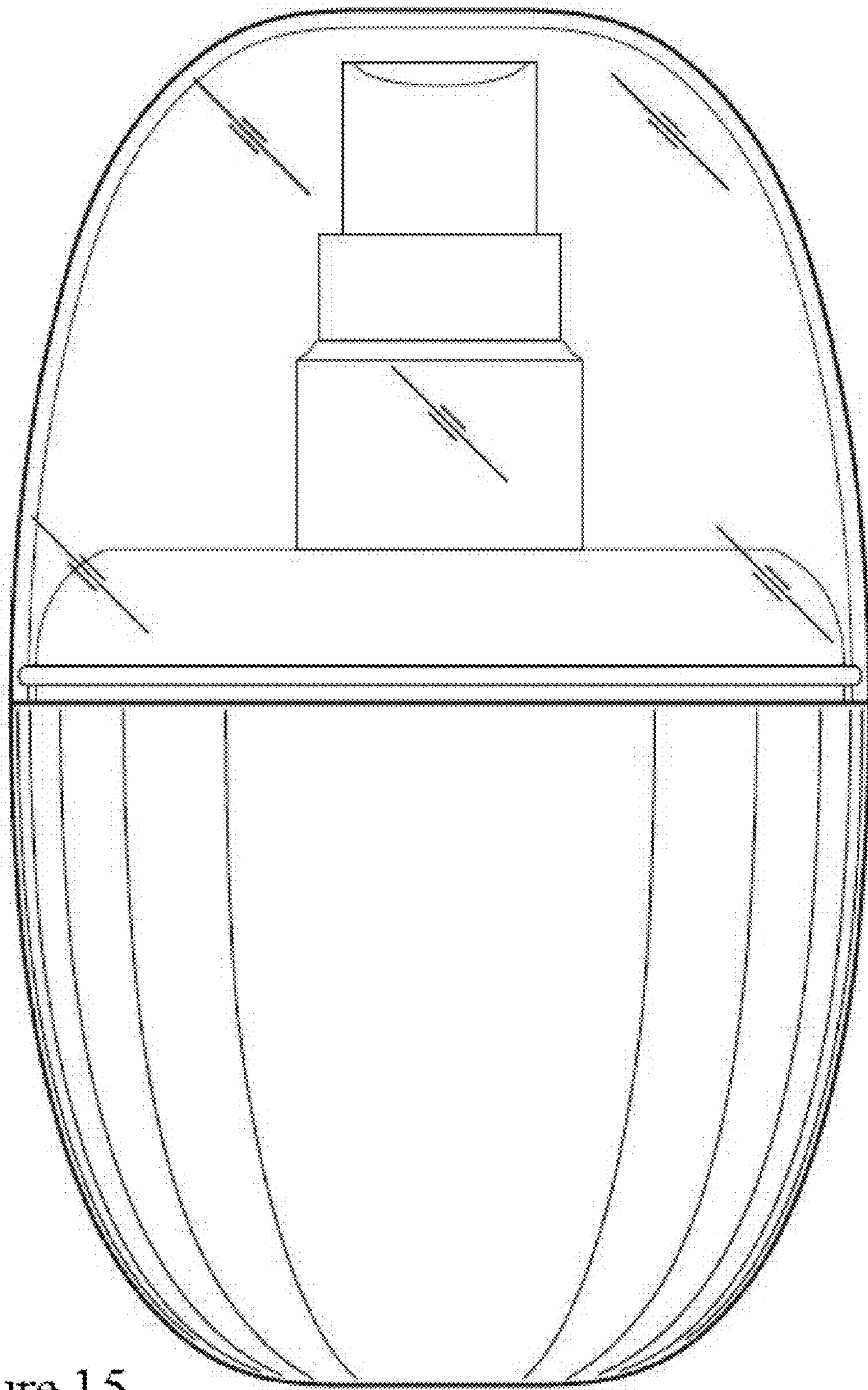


Figure 15



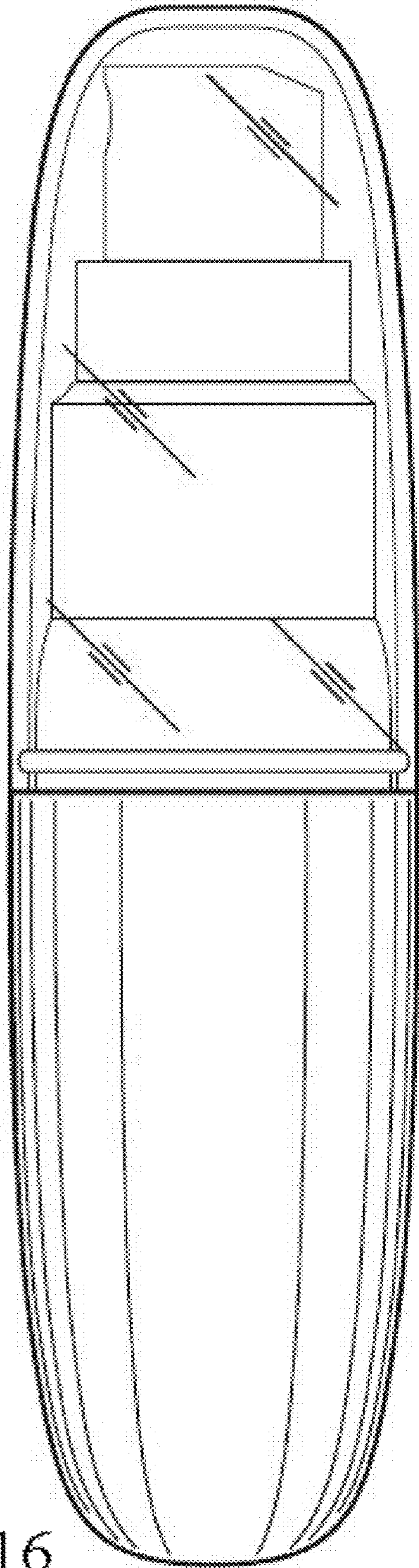


Figure 16

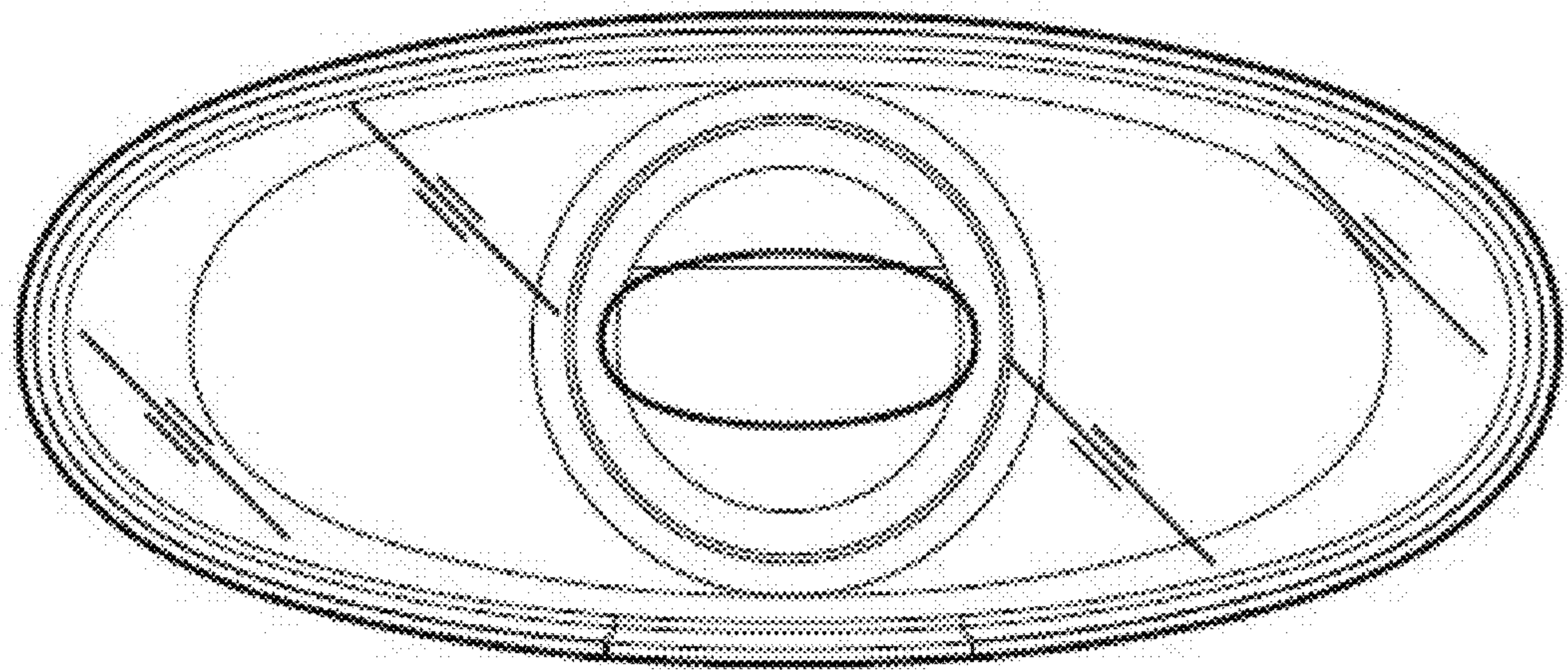


Figure 17



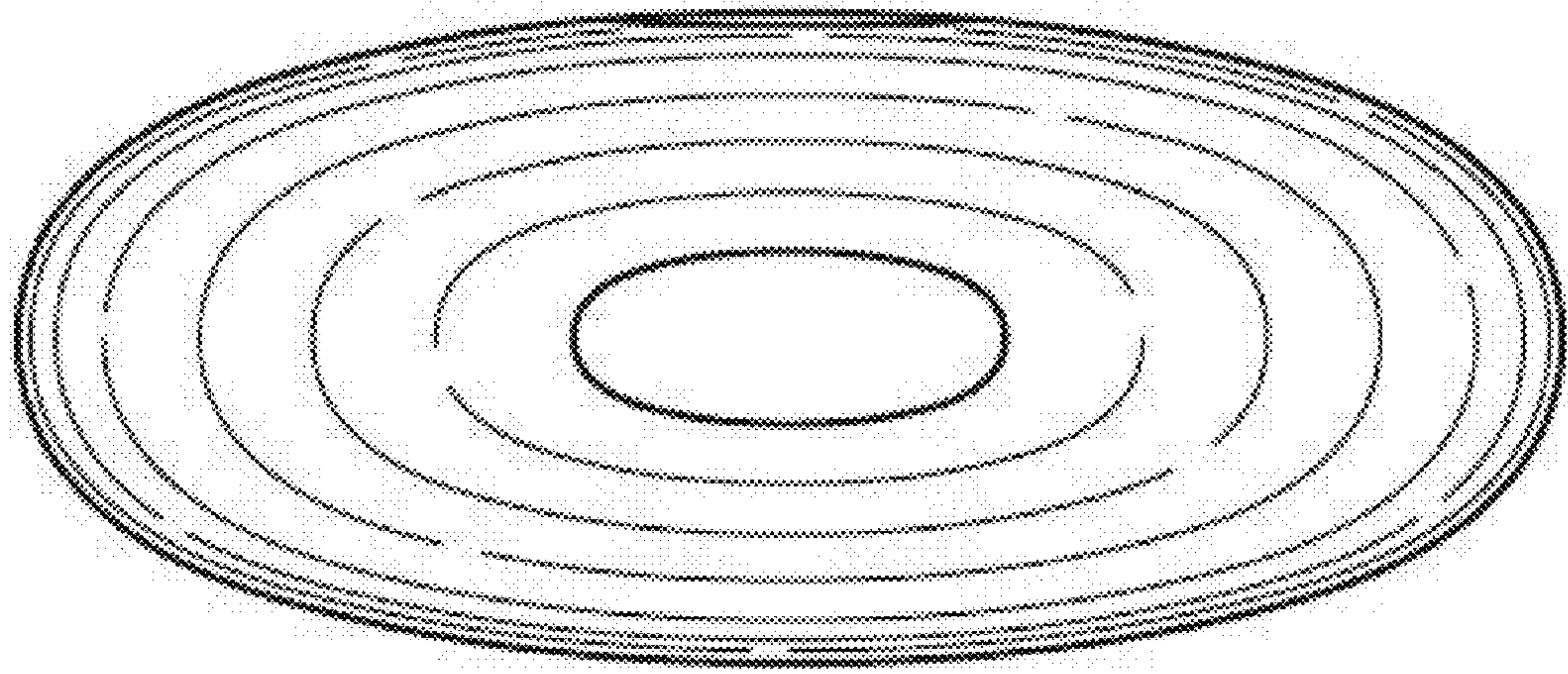


Figure 18