



US00D646571S

(12) **United States Design Patent**
Heidel et al.

(10) **Patent No.:** **US D646,571 S**
(45) **Date of Patent:** **** Oct. 11, 2011**

- (54) **CAP**
- (75) Inventors: **Andrew Peter Heidel**, Cincinnati, OH (US); **Ian Andrew Carnduff**, New York, NY (US); **Paul Frank Diehl**, Brooklyn, NY (US)
- (73) Assignee: **The Procter & Gamble Company**, Cincinnati, OH (US)
- (**) Term: **14 Years**
- (21) Appl. No.: **29/389,448**
- (22) Filed: **Apr. 12, 2011**

- D535,879 S 1/2007 Crawford et al.
- D542,654 S 5/2007 Szczesniak
- D544,348 S 6/2007 Szczesniak
- D546,684 S 7/2007 Crawford et al.
- D573,031 S 7/2008 Hestehave
- D577,593 S 9/2008 Hestehave
- D589,810 S 4/2009 van der Krogt et al.
- D590,711 S 4/2009 Floyd et al.
- D592,054 S 5/2009 Floyd et al.
- D598,284 S 8/2009 Floyd et al.
- D600,121 S 9/2009 Marotti et al.
- D604,612 S 11/2009 Germann
- D608,195 S 1/2010 Germann
- D609,565 S 2/2010 Floyd et al.
- D612,239 S 3/2010 Marotti et al.

Related U.S. Application Data

- (62) Division of application No. 29/358,599, filed on Mar. 30, 2010, now Pat. No. Des. 638,295.
- (51) **LOC (9) Cl.** **09-07**
- (52) **U.S. Cl.** **D9/454**
- (58) **Field of Classification Search** D9/651, D9/453, 452, 450, 449, 446, 443, 435; 222/83; 220/277; 215/252, 216, 206, 222, 219
See application file for complete search history.

References Cited

U.S. PATENT DOCUMENTS

- D96,926 S 9/1935 Lindemann
- D101,623 S 10/1936 Fleish
- D264,054 S 4/1982 Kieber
- D352,906 S 11/1994 Gobe
- D443,513 S 6/2001 Goettner
- D512,911 S 12/2005 Floyd et al.
- D534,427 S 1/2007 Crawford

FOREIGN PATENT DOCUMENTS

CA 100987 4/2005

Primary Examiner — Susan Bennett Hattan

(74) *Attorney, Agent, or Firm* — James F. McBride; Leonard W. Lewis; Steven W. Miller

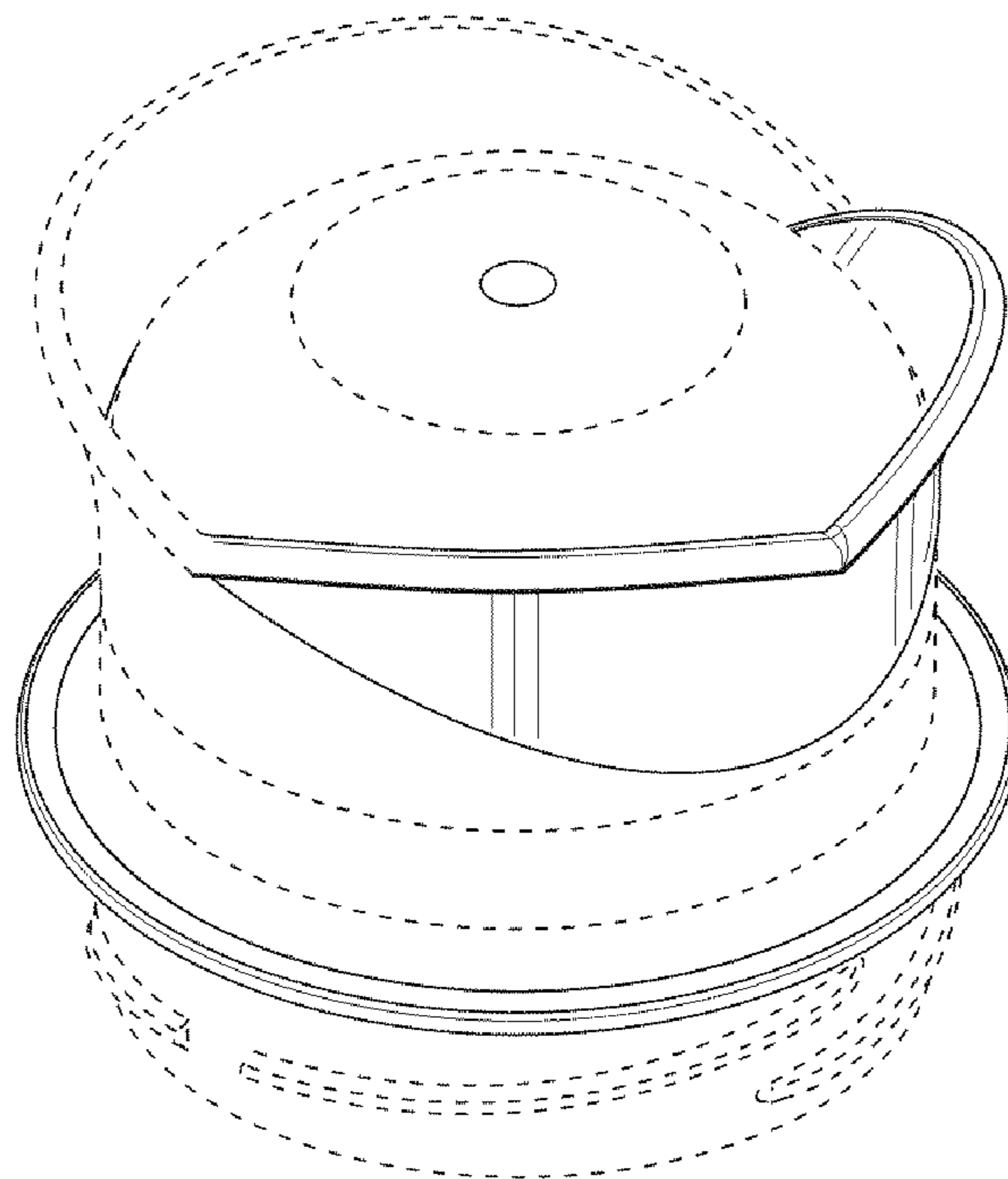
(57) **CLAIM**

The ornamental design for a cap, as shown and described.

DESCRIPTION

FIG. 1 is a perspective view of a cap;
 FIG. 2 is a front view thereof;
 FIG. 3 is a back view thereof;
 FIG. 4 is a right view thereof;
 FIG. 5 is a left view thereof;
 FIG. 6 is a top view thereof; and,
 FIG. 7 is a bottom view thereof.
 The broken lines in the drawings depict environmental subject matter only and form no part of the claimed design.

1 Claim, 3 Drawing Sheets



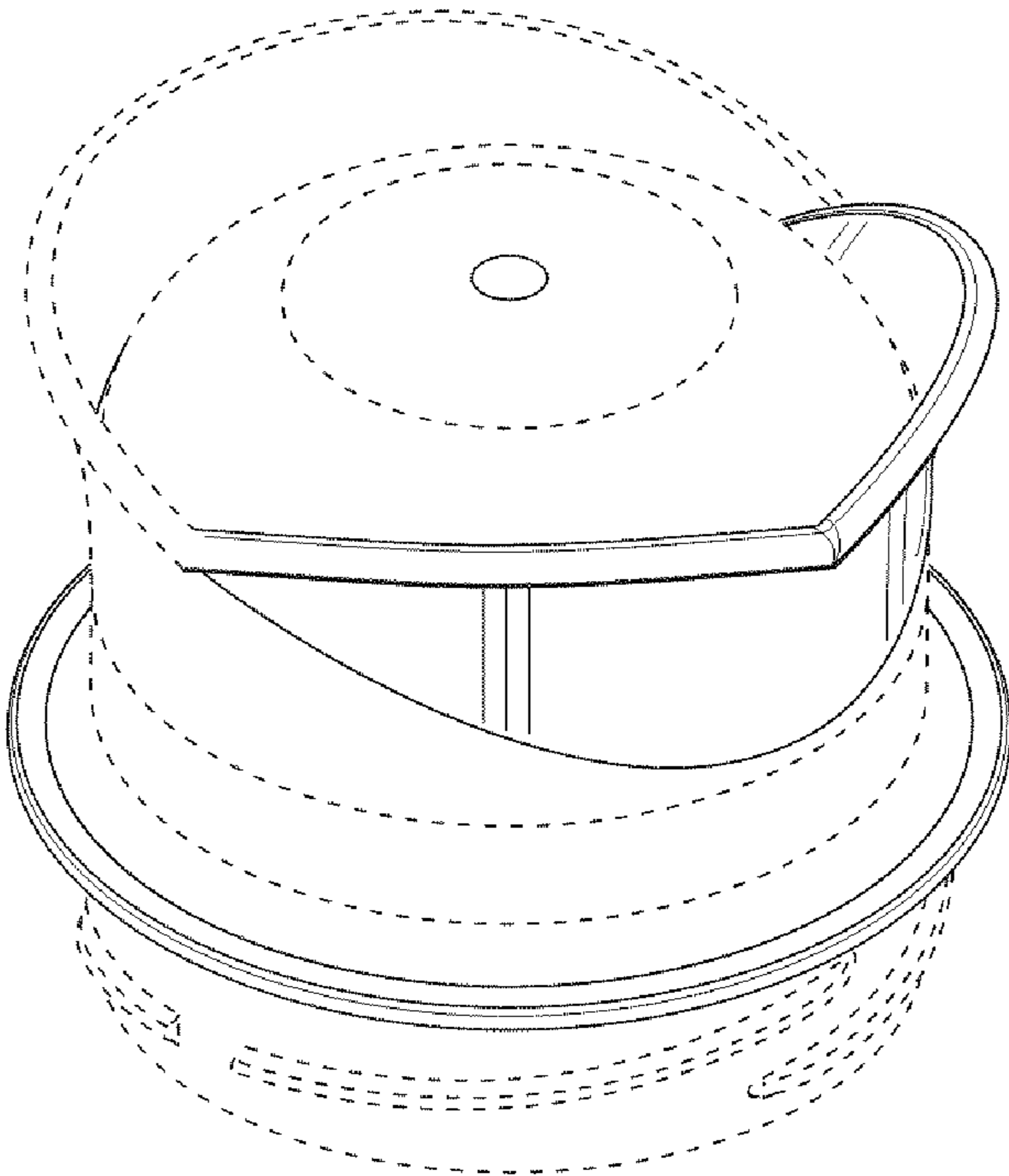


Fig. 1

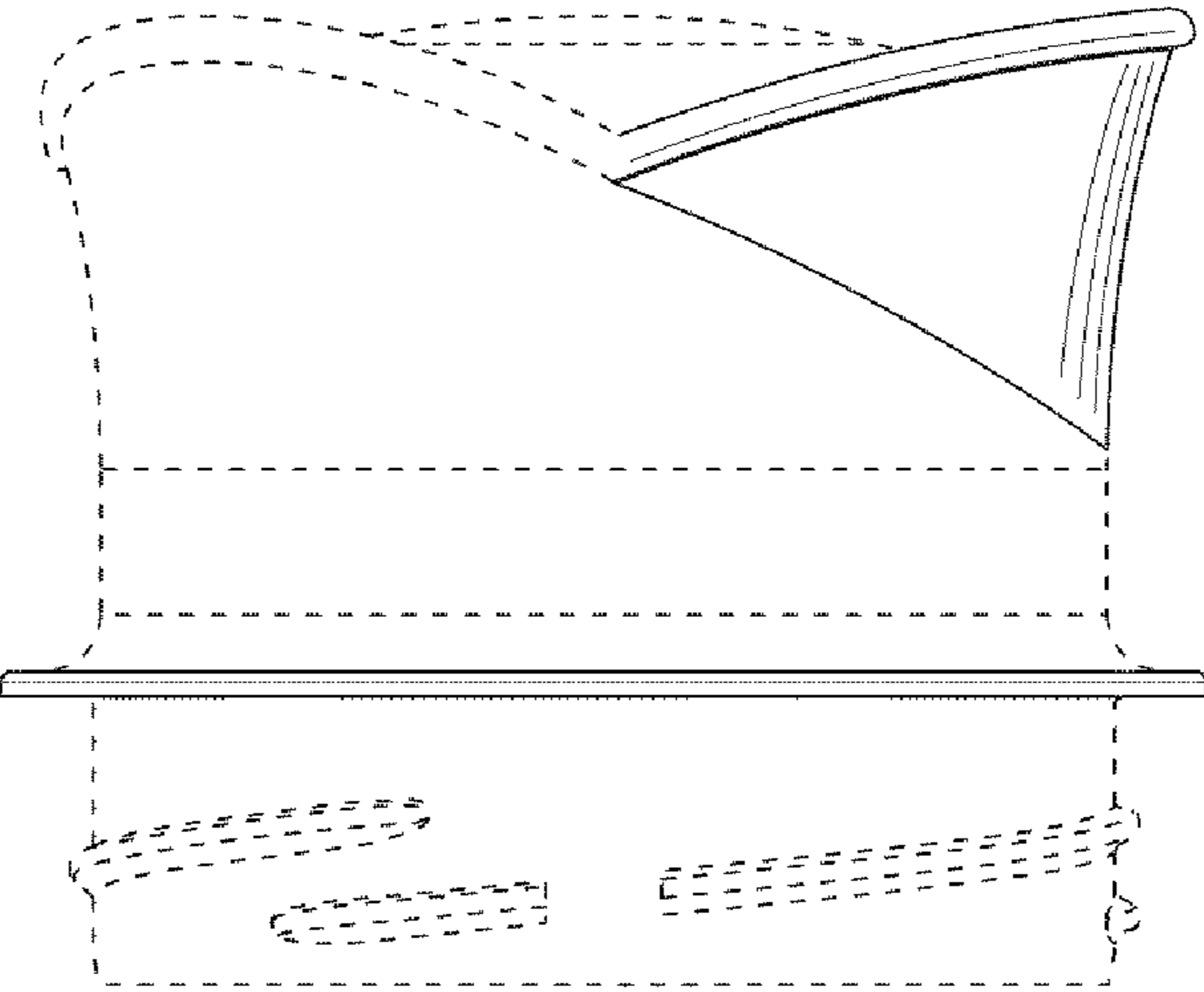


Fig. 2

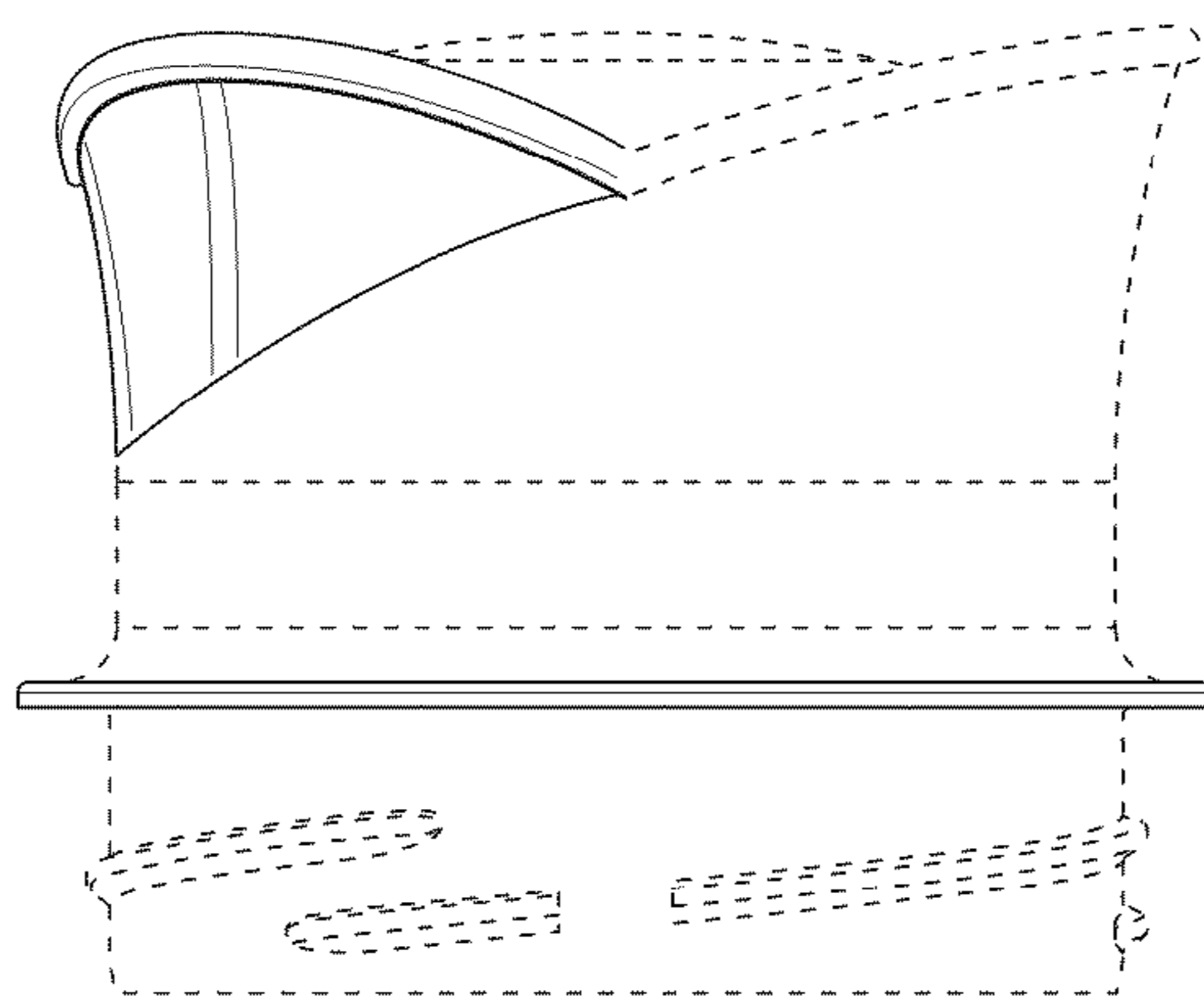


Fig. 3

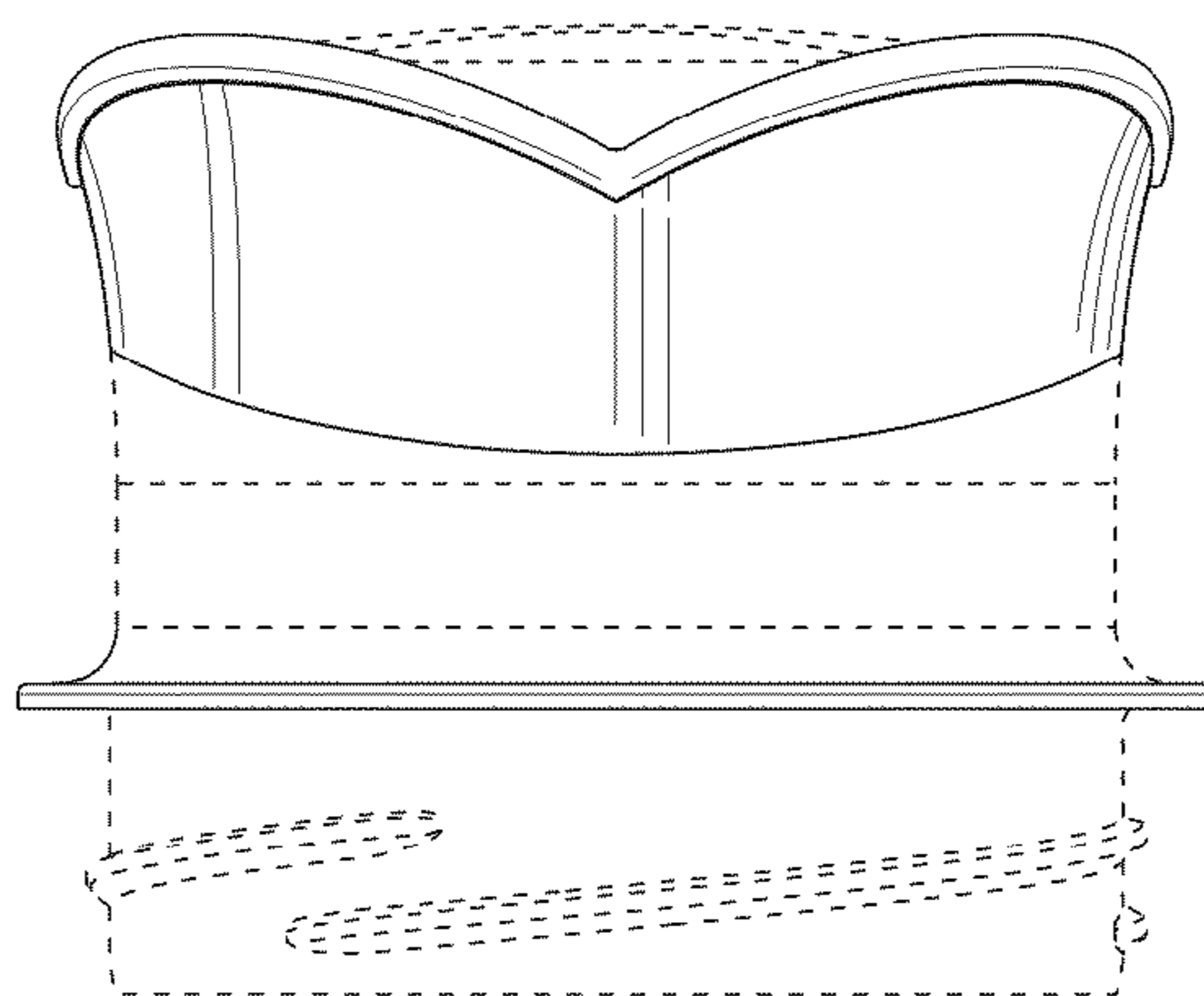


Fig. 4

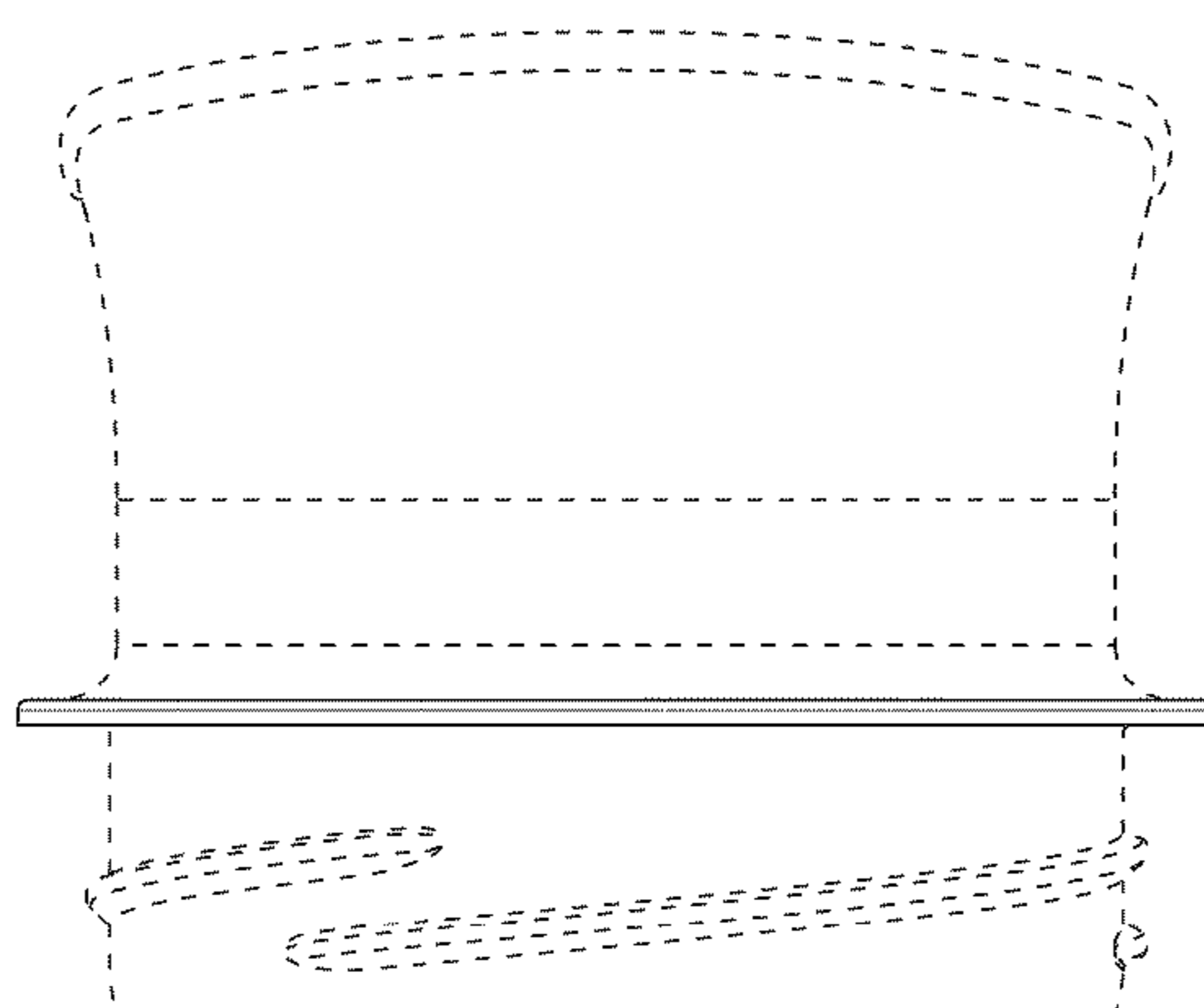


Fig. 5

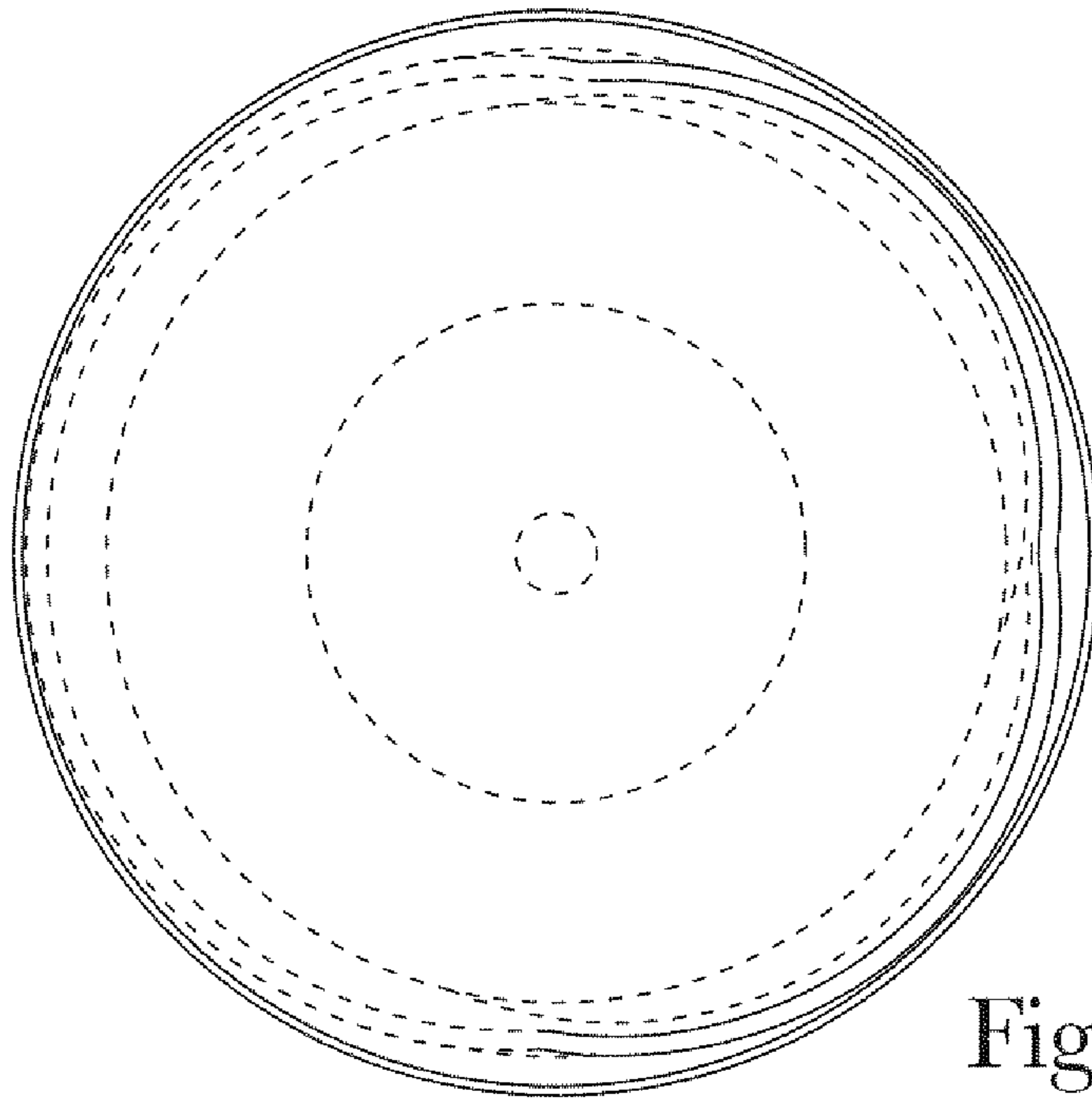


Fig. 6

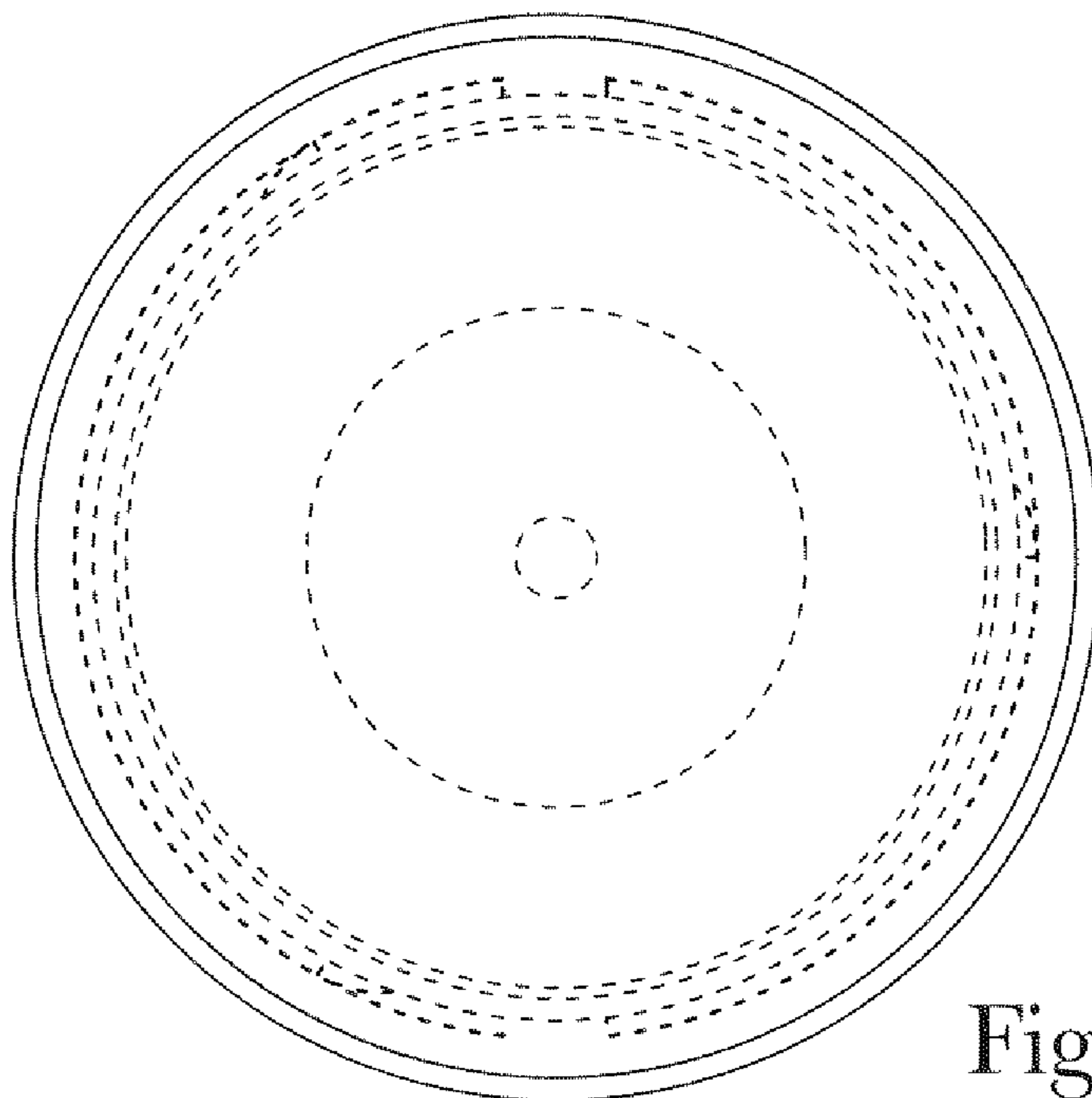


Fig. 7

UNITED STATES PATENT AND TRADEMARK OFFICE
CERTIFICATE OF CORRECTION

PATENT NO. : D646,571 S
APPLICATION NO. : 29/389448
DATED : October 11, 2011
INVENTOR(S) : Heidel et al.

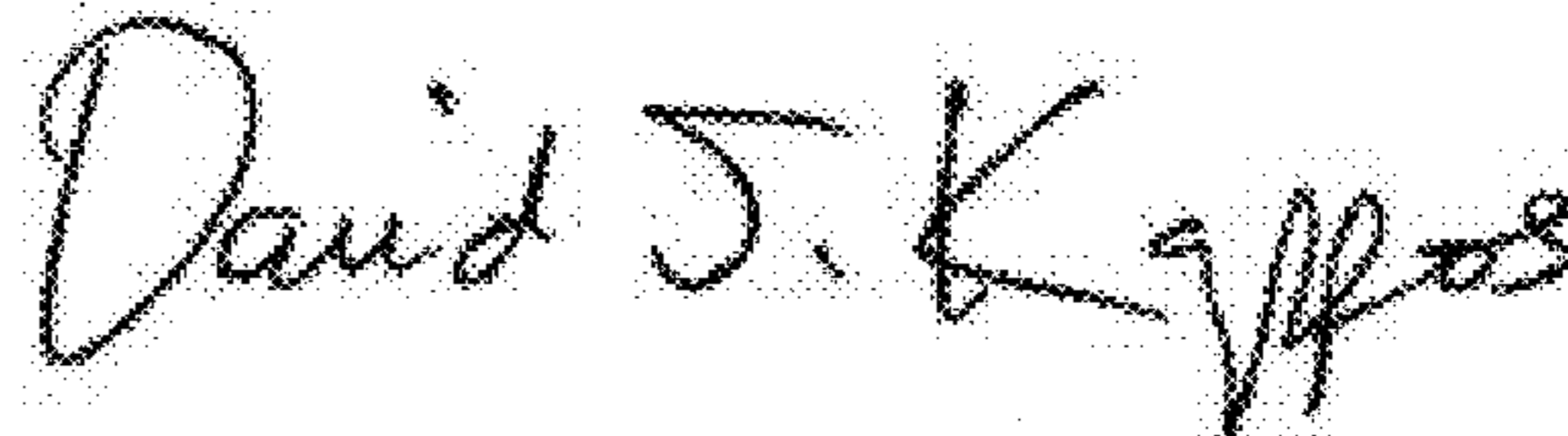
Page 1 of 1

It is certified that error appears in the above-identified patent and that said Letters Patent is hereby corrected as shown below:

Cover Page

Item [75] Inventors, delete "Brooklin" and insert --Brooklyn--

Signed and Sealed this
Twenty-ninth Day of November, 2011

A handwritten signature in black ink that reads "David J. Kappos". The signature is written in a cursive style with a large initial 'D' and 'K'.

David J. Kappos
Director of the United States Patent and Trademark Office