



US00D646570S

(12) **United States Design Patent**
Heidel et al.

(10) **Patent No.:** **US D646,570 S**
(45) **Date of Patent:** **** Oct. 11, 2011**

(54) **CAP**
(75) Inventors: **Andrew Peter Heidel**, Cincinnati, OH (US); **Ian Andrew Carnduff**, New York, NY (US); **Paul Frank Diehl**, Brooklyn, NY (US)
(73) Assignee: **The Procter & Gamble Company**, Cincinnati, OH (US)
(**) Term: **14 Years**

D544,348 S 6/2007 Szczesniak
D546,684 S 7/2007 Crawford et al.
D573,031 S 7/2008 Hestehave
D577,593 S 9/2008 Hestehave
D589,810 S 4/2009 van der Krogt et al.
D590,711 S 4/2009 Floyd et al.
D592,054 S 5/2009 Floyd et al.
D598,284 S 8/2009 Floyd et al.
D600,121 S 9/2009 Marotti et al.
D604,612 S 11/2009 Germann
D608,195 S 1/2010 Germann
D609,565 S 2/2010 Floyd et al.
D612,239 S 3/2010 Marotti et al.

(21) Appl. No.: **29/389,444**

(22) Filed: **Apr. 12, 2011**

Related U.S. Application Data

(62) Division of application No. 29/358,599, filed on Mar. 30, 2010, now Pat. No. Des. 638,295.
(51) **LOC (9) Cl.** **09-07**
(52) **U.S. Cl.** **D9/454**
(58) **Field of Classification Search** D9/651, D9/453, 452, 450, 449, 446, 443, 435; 222/83; 220/277; 215/252, 216, 206, 222, 219
See application file for complete search history.

(56) **References Cited**

U.S. PATENT DOCUMENTS

D98,926 S 9/1935 Lindermann
D101,623 S 10/1936 Fleish
D264,054 S 4/1982 Kieber
D352,906 S 11/1994 Gobe
D443,513 S 6/2001 Goettner
D512,911 S 12/2005 Floyd et al.
D534,427 S 1/2007 Crawford
D535,879 S 1/2007 Crawford et al.
D542,654 S 5/2007 Szczesniak

FOREIGN PATENT DOCUMENTS

CA 100987 4/2005

OTHER PUBLICATIONS

U.S. Appl. No. 29/389,448, filed Apr. 12, 2011, Heidel, et al.

Primary Examiner — Susan Bennett Hattan
(74) *Attorney, Agent, or Firm* — James F. McBride; Leonard W. Lewis; Steven W. Miller

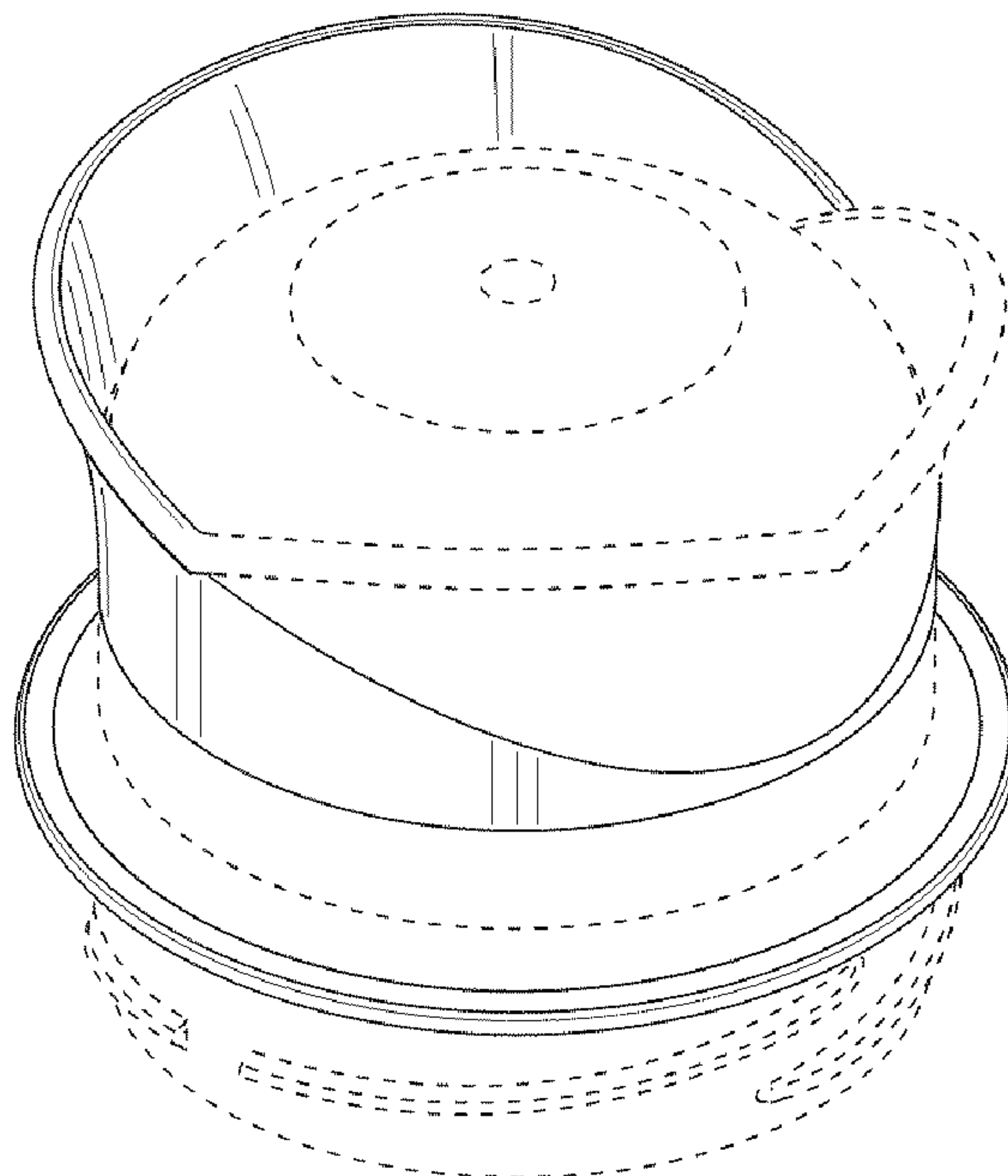
(57) **CLAIM**

The ornamental design for a cap, as shown and described.

DESCRIPTION

FIG. 1 is a perspective view of a cap;
FIG. 2 is a front view thereof;
FIG. 3 is a back view thereof;
FIG. 4 is a right view thereof;
FIG. 5 is a left view thereof;
FIG. 6 is a top view thereof; and,
FIG. 7 is a bottom view thereof.
The broken lines in the drawings depict environmental subject matter only and form no part of the claimed design.

1 Claim, 3 Drawing Sheets



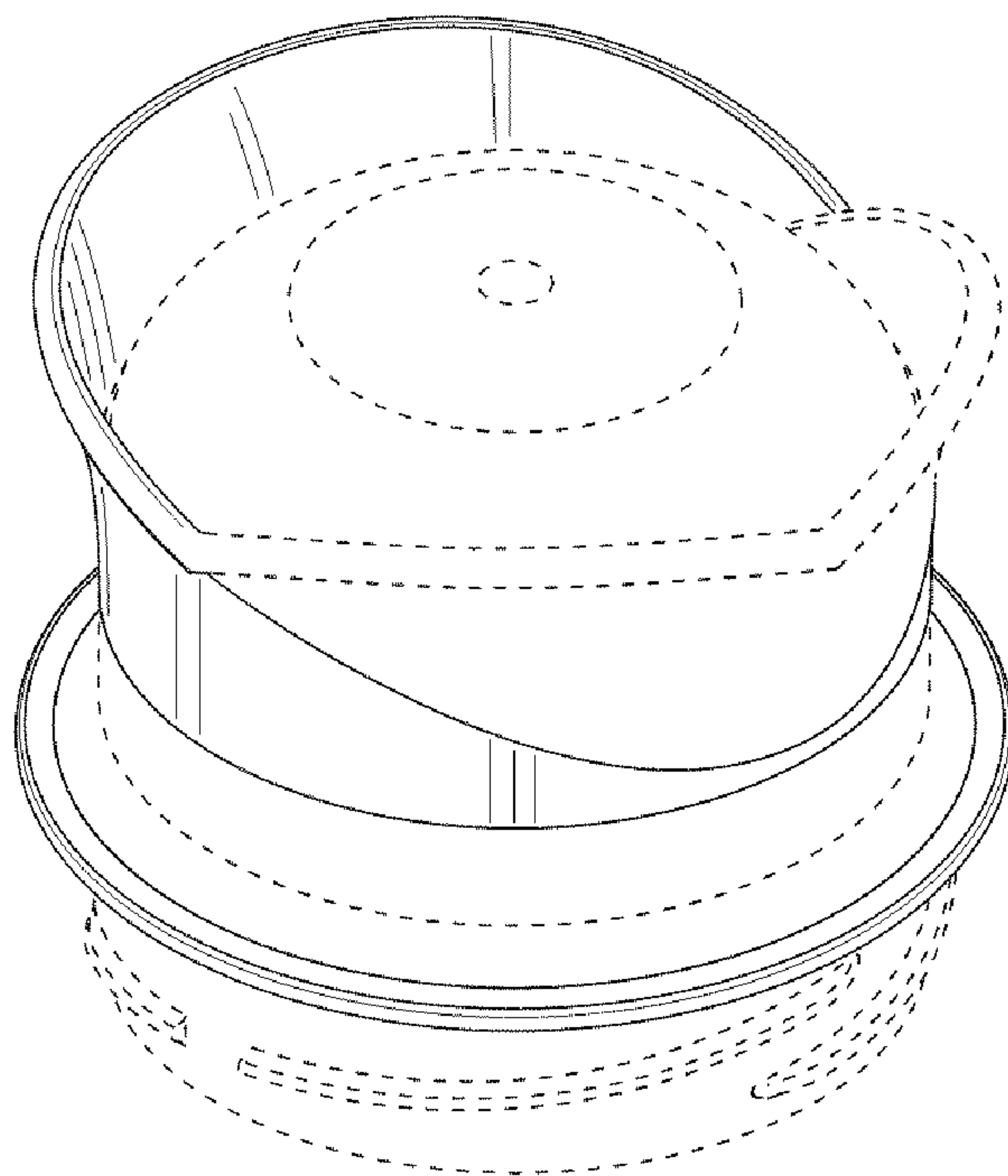


Fig. 1

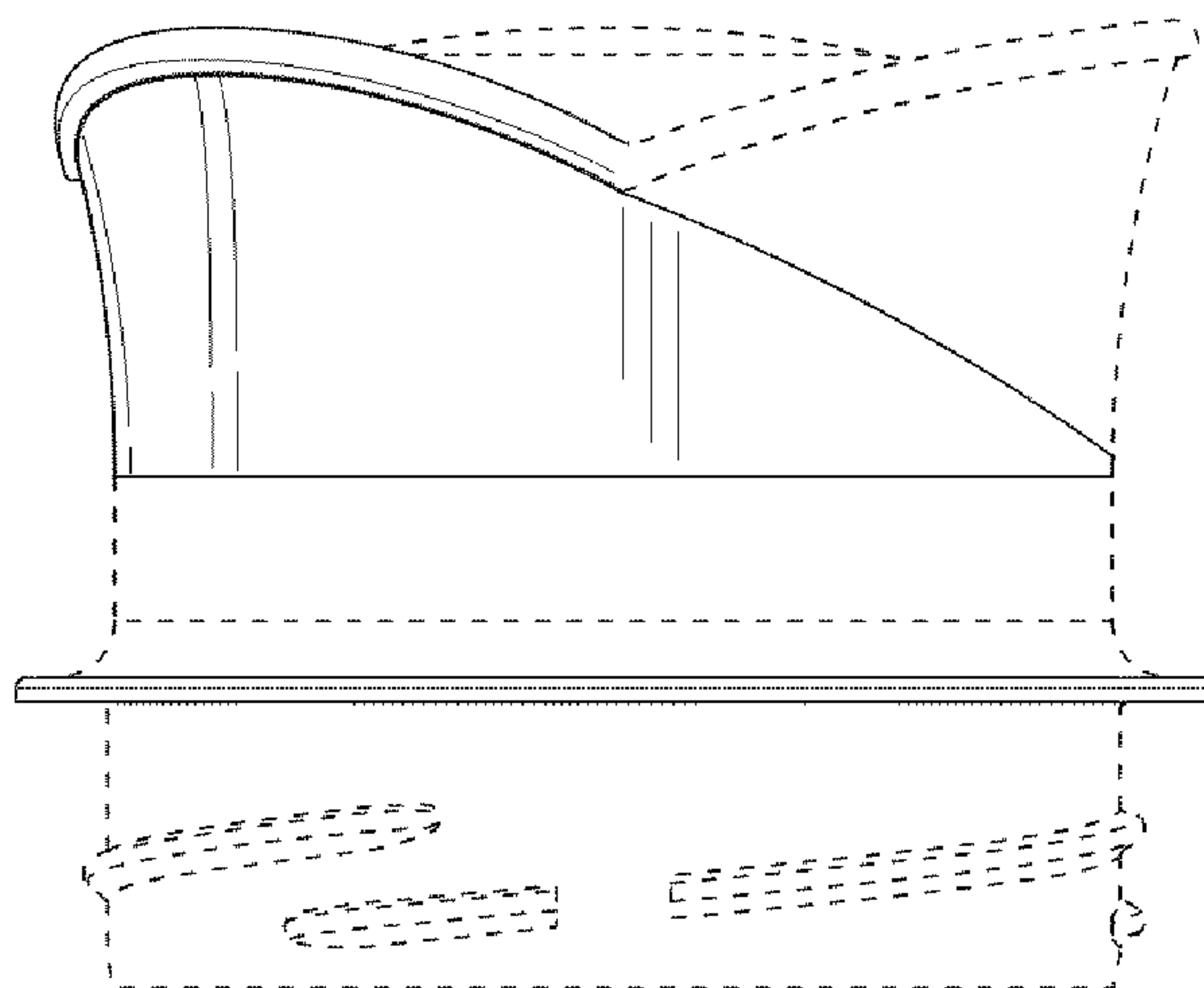


Fig. 2

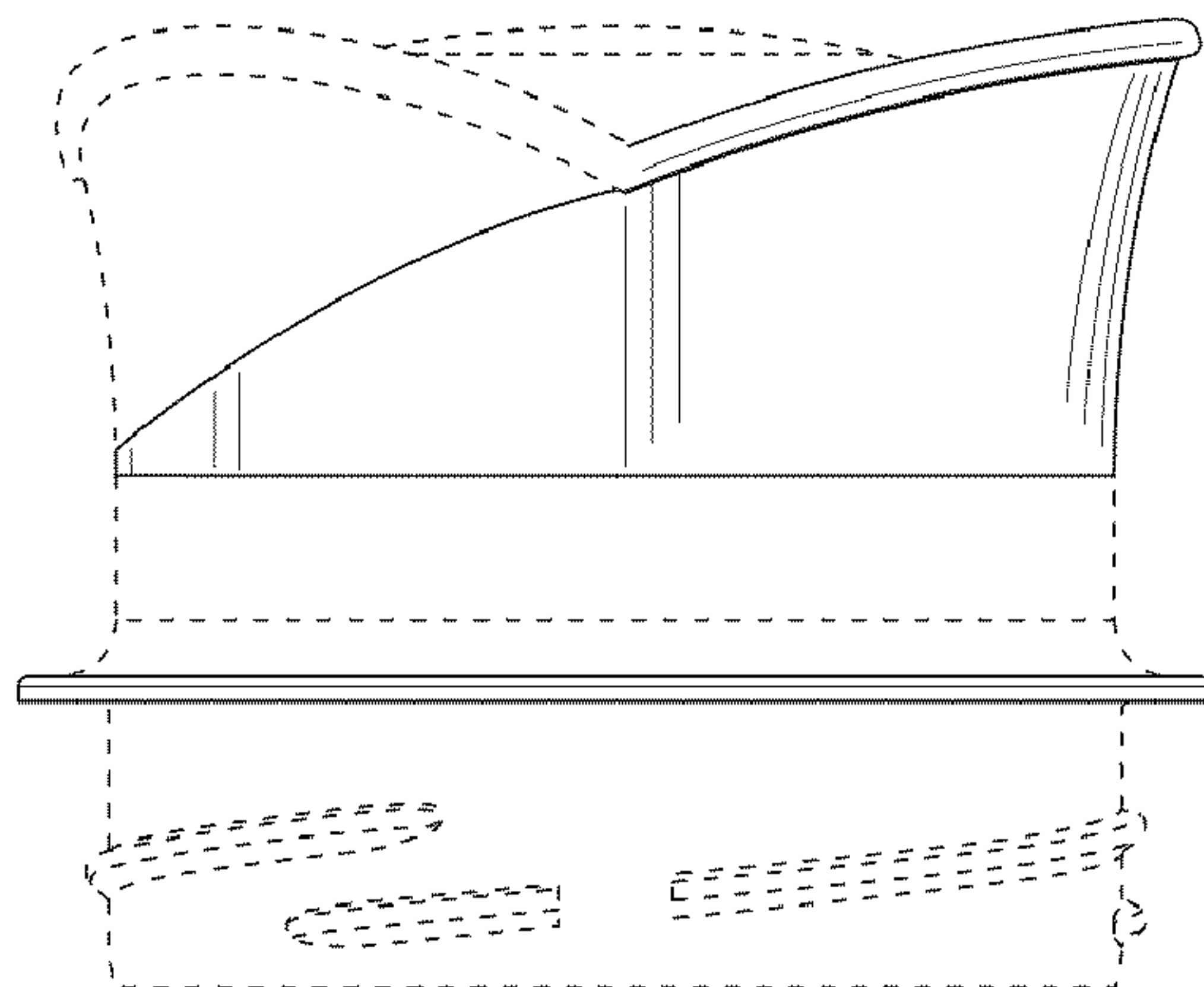


Fig. 3

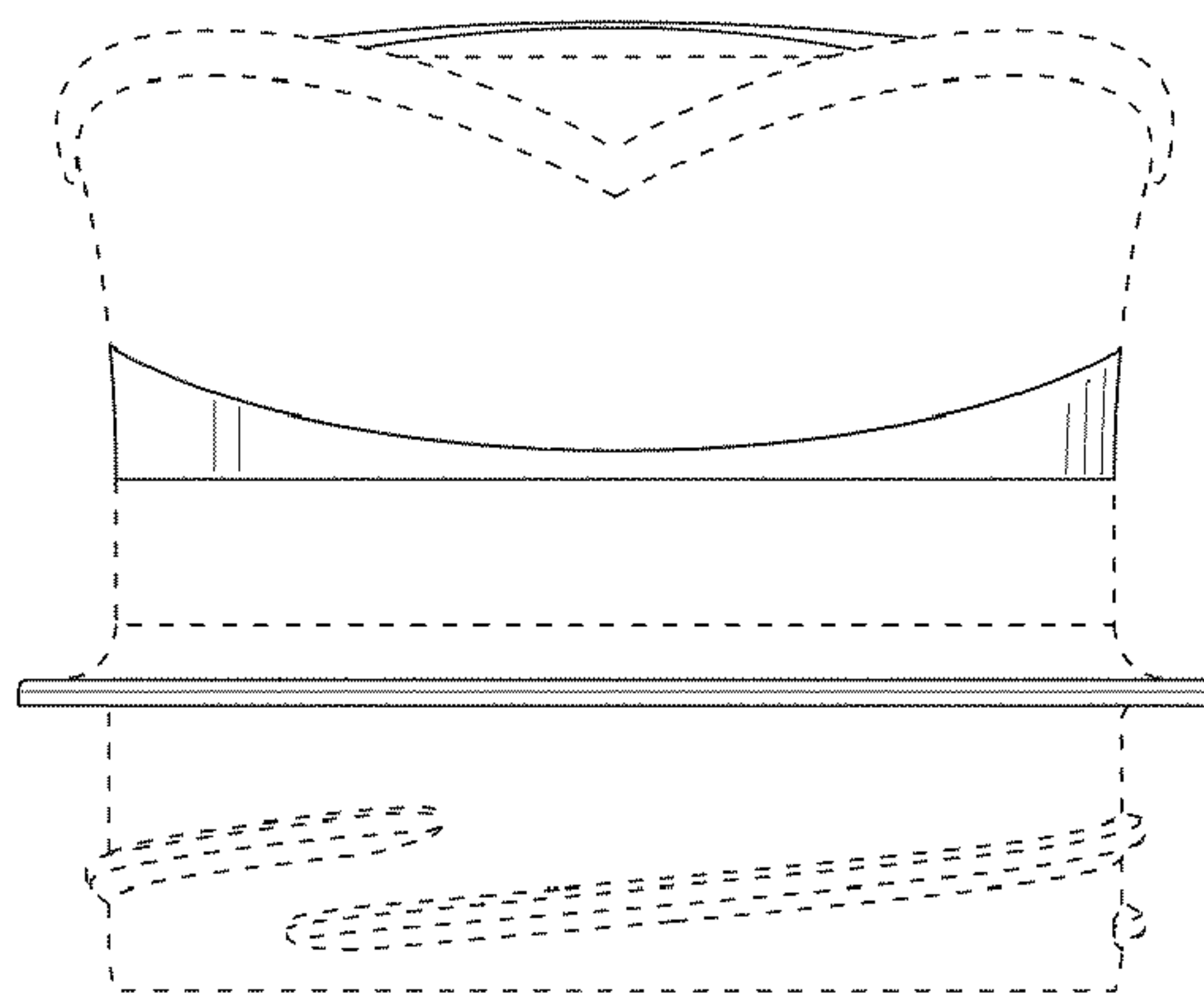


Fig. 4

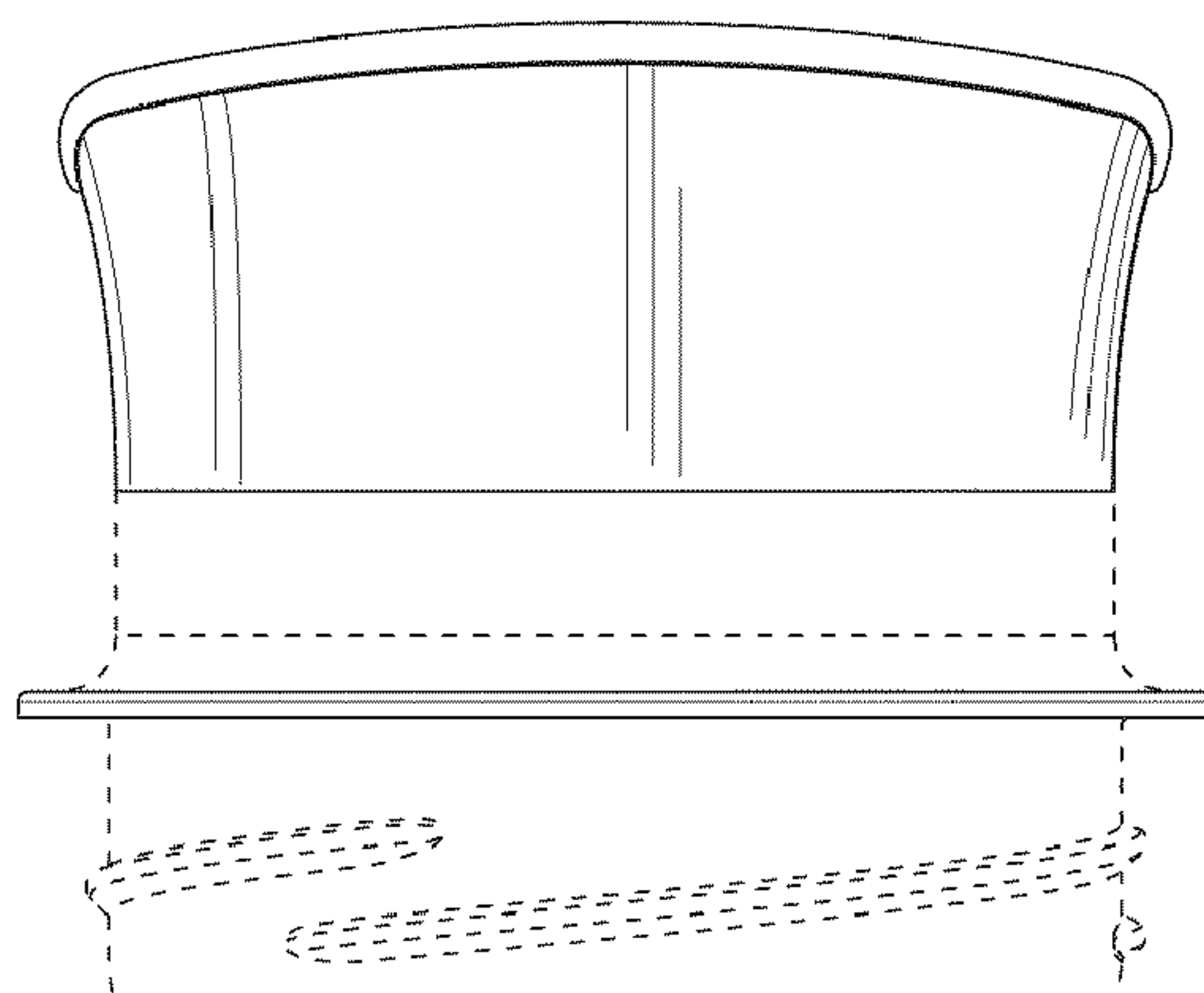


Fig. 5

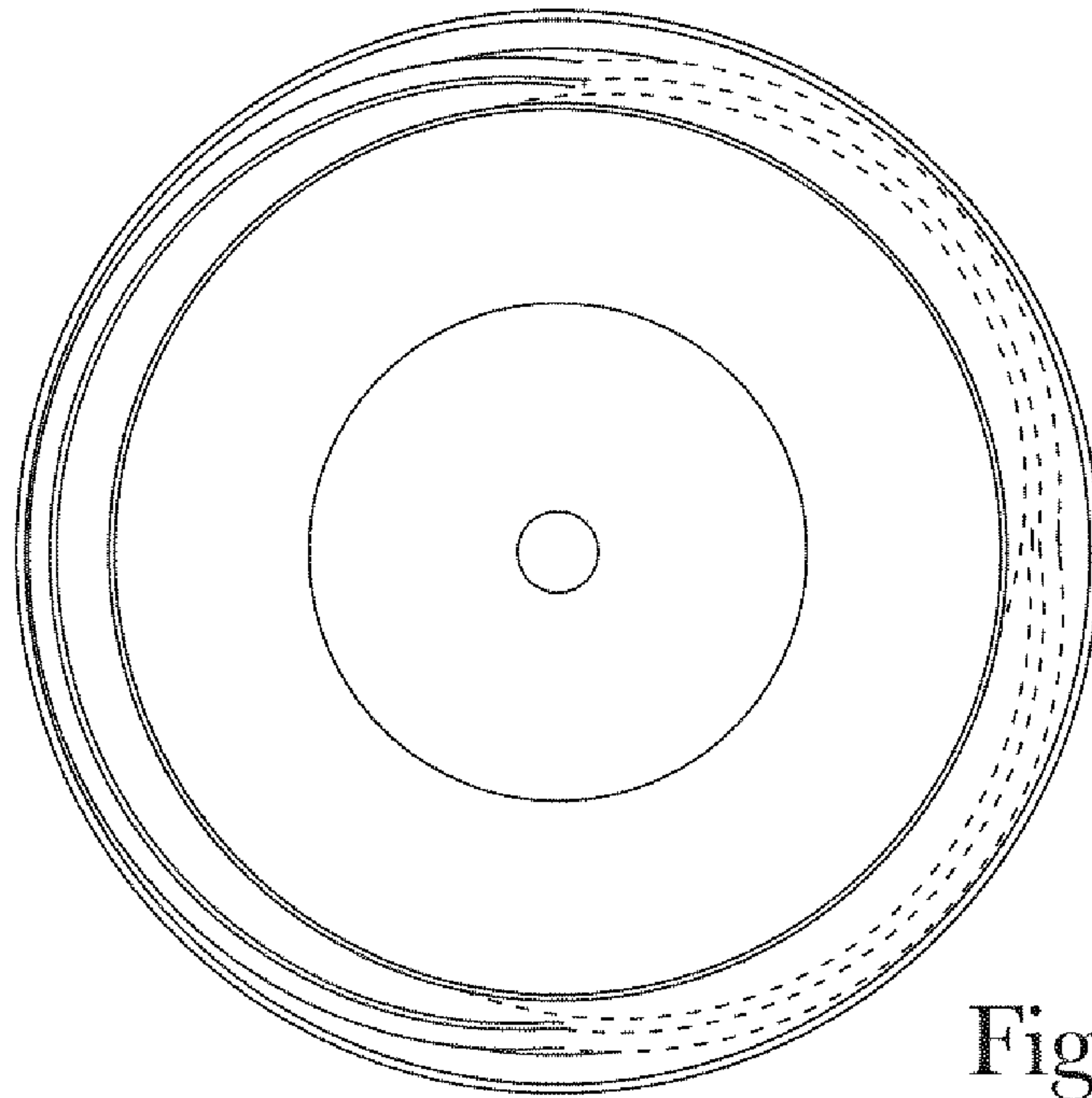


Fig. 6

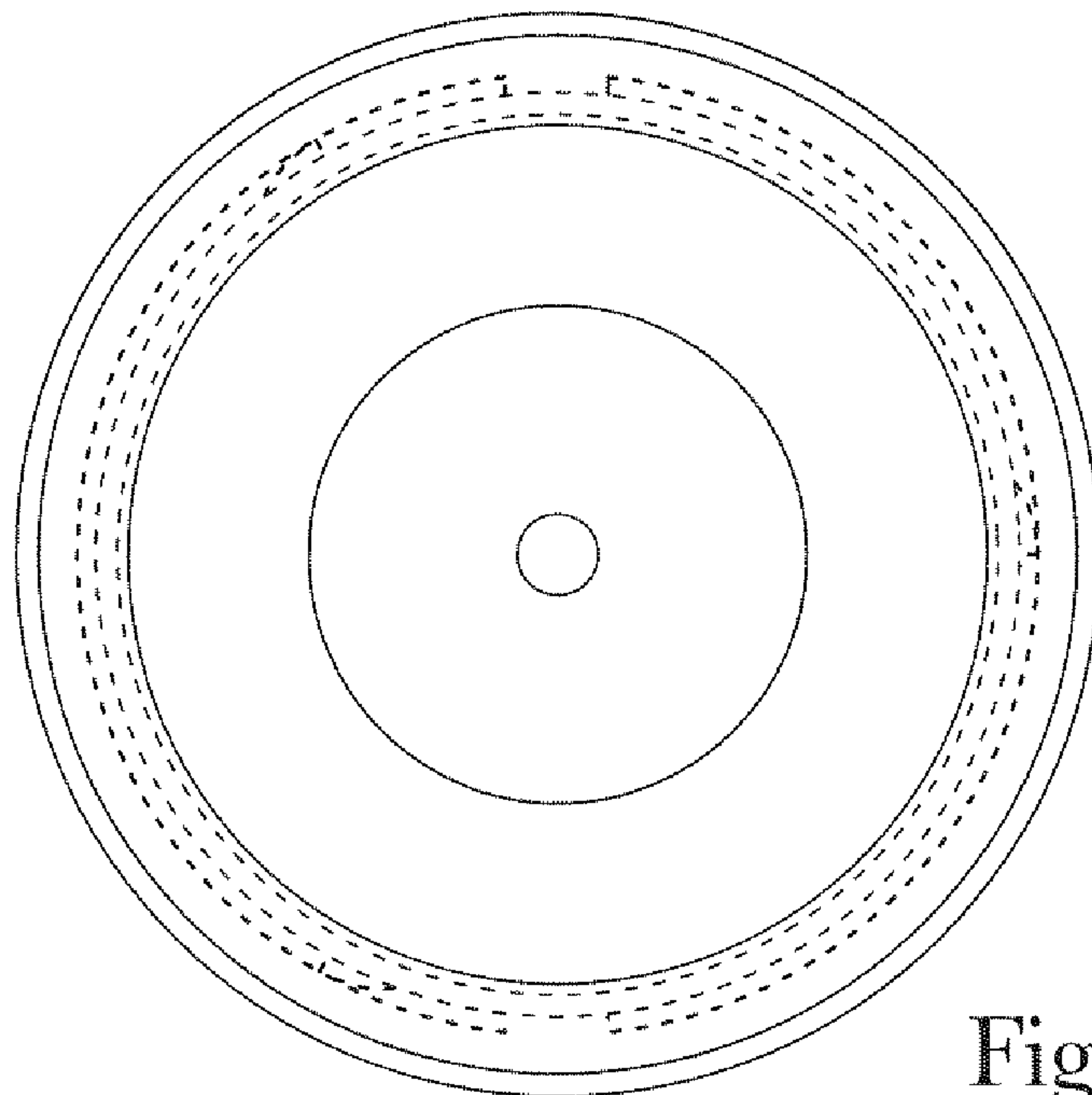


Fig. 7

UNITED STATES PATENT AND TRADEMARK OFFICE
CERTIFICATE OF CORRECTION

PATENT NO. : D646,570 S
APPLICATION NO. : 29/389444
DATED : October 11, 2011
INVENTOR(S) : Heidel et al.

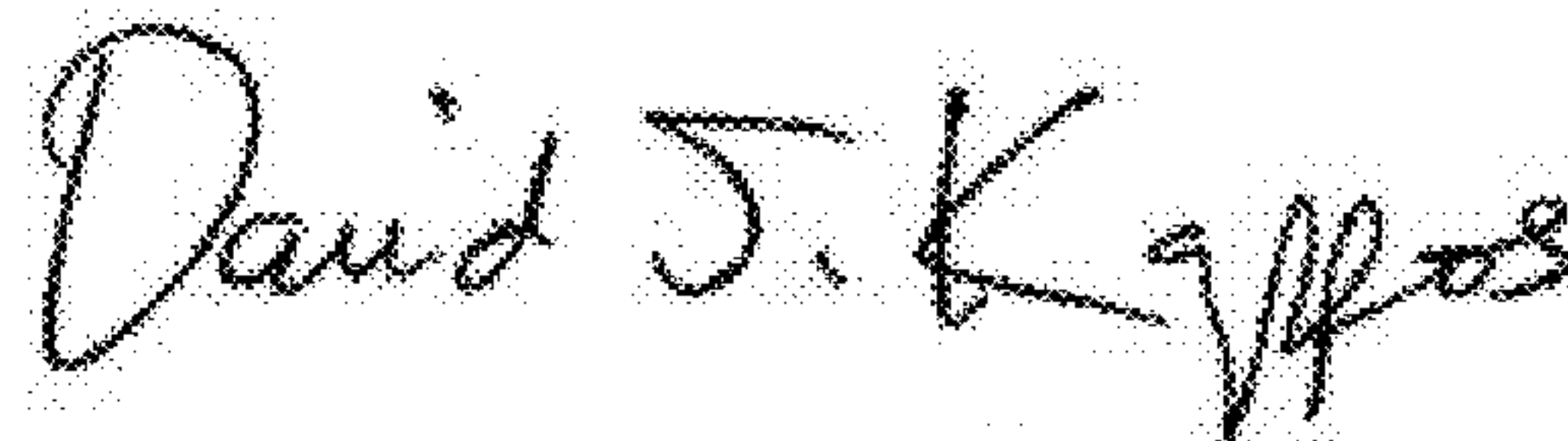
Page 1 of 1

It is certified that error appears in the above-identified patent and that said Letters Patent is hereby corrected as shown below:

Title Page, item (75):

In the list of Inventors, delete "Brooklin" and insert --Brooklyn--.

Signed and Sealed this
Twenty-ninth Day of November, 2011

A handwritten signature in black ink that reads "David J. Kappos". The signature is written in a cursive style with a large initial "D" and "K".

David J. Kappos
Director of the United States Patent and Trademark Office