



US00D646569S

(12) **United States Design Patent**
Heidel et al.

(10) **Patent No.:** **US D646,569 S**
(45) **Date of Patent:** **** Oct. 11, 2011**

- (54) **CAP**
- (75) Inventors: **Andrew Peter Heidel**, Cincinnati, OH (US); **Ian Andrew Carnduff**, New York, NY (US); **Paul Frank Diehl**, Brooklyn, NY (US)
- (73) Assignee: **The Procter & Gamble Company**, Cincinnati, OH (US)
- (**) Term: **14 Years**
- (21) Appl. No.: **29/389,463**
- (22) Filed: **Apr. 12, 2011**

- D503,205 S 3/2005 Edwards
- D542,140 S 5/2007 Garcia-Ruiz
- D542,654 S 5/2007 Szczeniak
- D542,655 S 5/2007 Szczeniak
- D542,656 S 5/2007 Szczeniak
- D544,348 S 6/2007 Szczeniak
- D548,075 S 8/2007 Mavin
- D561,587 S 2/2008 Lin
- D564,355 S 3/2008 Berman
- D566,555 S 4/2008 Berman
- D573,031 S 7/2008 Hestehave
- D574,240 S 8/2008 Szczeniak
- D577,593 S 9/2008 Hestehave
- D578,889 S 10/2008 Sadiq
- D604,612 S 11/2009 Germann
- D606,401 S 12/2009 Kamath
- D608,195 S 1/2010 Germann
- D613,162 S 4/2010 Druitt
- D616,745 S 6/2010 Stull

Related U.S. Application Data

- (62) Division of application No. 29/358,600, filed on Mar. 30, 2010, now Pat. No. Des. 638,294.
- (51) **LOC (9) Cl.** **09-07**
- (52) **U.S. Cl.** **D9/452; D9/454**
- (58) **Field of Classification Search** D9/651, D9/453, 452, 450, 449, 446, 443, 435; 222/83; 220/277; 215/252, 216, 206, 222, 219
See application file for complete search history.

(Continued)

FOREIGN PATENT DOCUMENTS

- CA 85115 11/1998
- CA 99891 9/2004
- CA 124489 1/2008

(Continued)

Primary Examiner — Susan Bennett Hattan
(74) *Attorney, Agent, or Firm* — James F. McBride; Leonard W. Lewis; Steven W. Miller

(56) **References Cited**

U.S. PATENT DOCUMENTS

- D101,623 S 10/1936 Fleisch
- D264,054 S 4/1982 Kieber
- D381,911 S 8/1997 Lathrop et al.
- D382,482 S 8/1997 Lathrop et al.
- D417,397 S 12/1999 Forecast et al.
- D443,513 S 6/2001 Goettner
- D444,065 S 6/2001 Crawford
- D449,783 S 10/2001 Crawford
- D449,784 S 10/2001 Crawford
- D458,138 S 6/2002 Fuchs
- D475,924 S 6/2003 Haffner
- D480,644 S 10/2003 Druitt

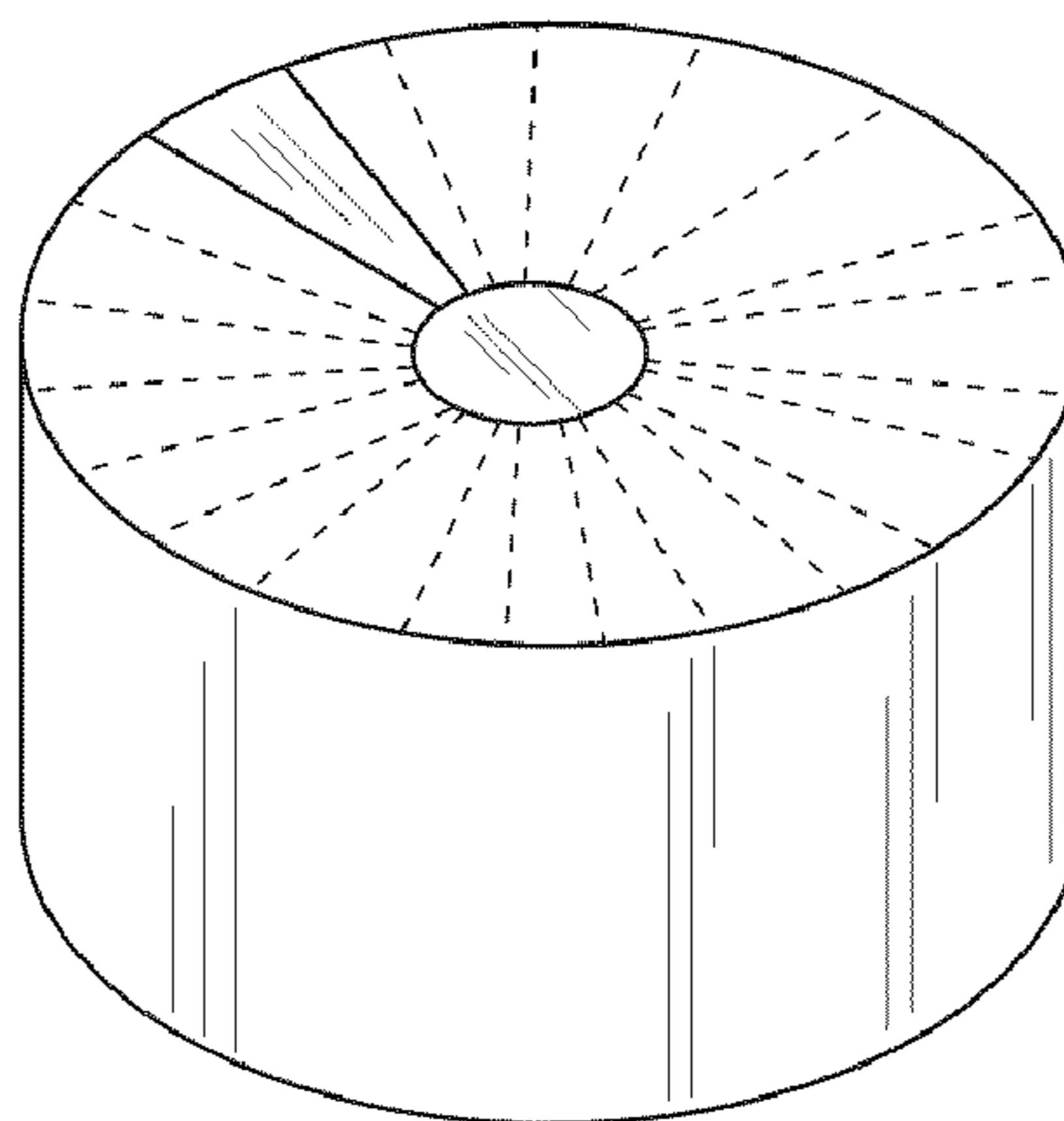
(57) **CLAIM**

The ornamental design for a cap, as shown and described.

DESCRIPTION

FIG. 1 is a perspective view of a cap; FIG. 2 is a front view thereof; and FIG. 3 is a top view thereof; and, FIG. 4 is a bottom view thereof. The broken lines in the drawings depict environmental subject matter only and form no part of the claimed design.

1 Claim, 1 Drawing Sheet



US D646,569 S

Page 2

U.S. PATENT DOCUMENTS

D616,746 S 6/2010 Stull
D617,191 S 6/2010 Stull
D637,080 S * 5/2011 Brooks D9/452
D639,161 S * 6/2011 Webster D9/452

FOREIGN PATENT DOCUMENTS

CA 124487 1/2009
CA 129006 4/2010
* cited by examiner

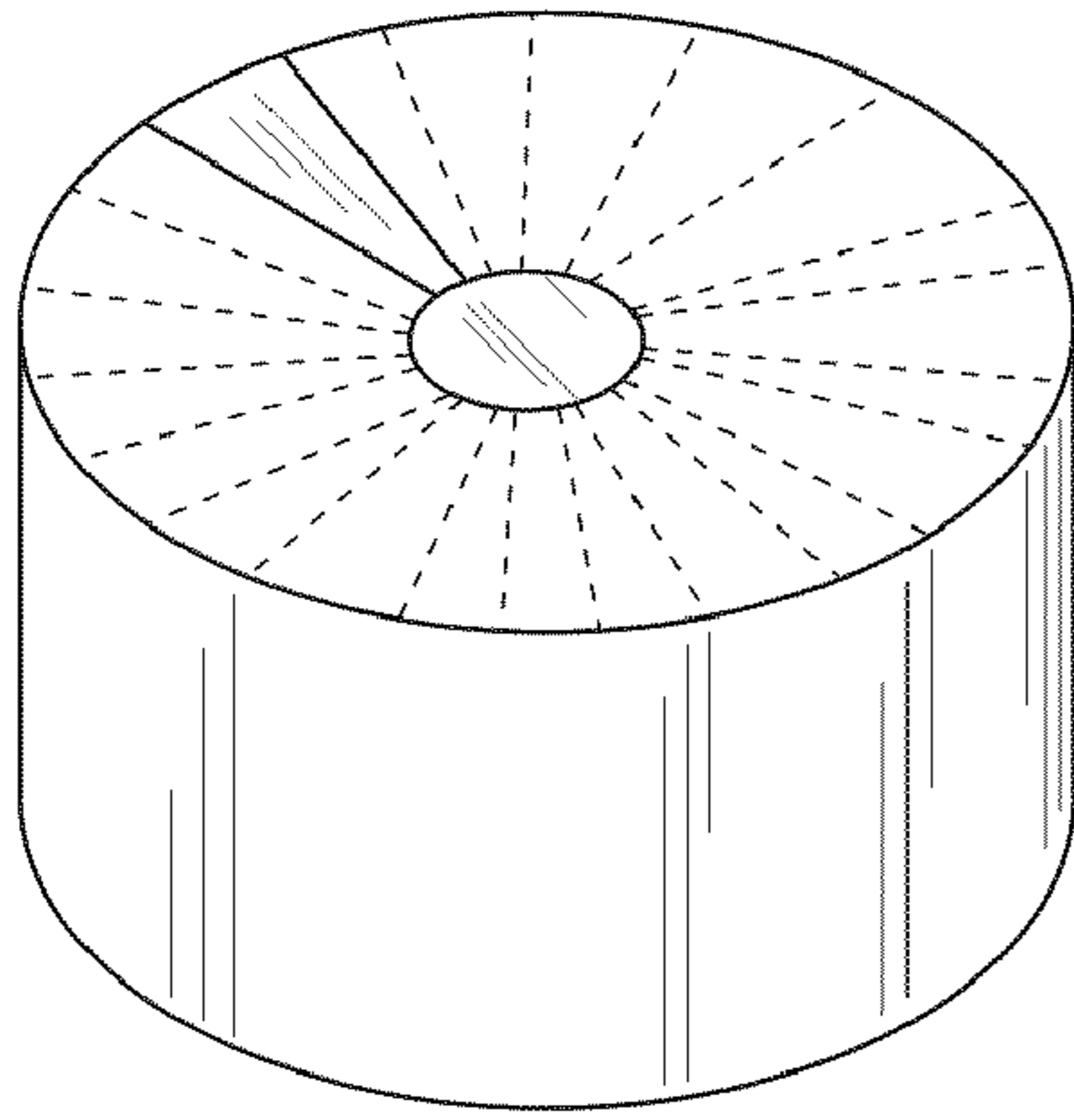


Fig. 1

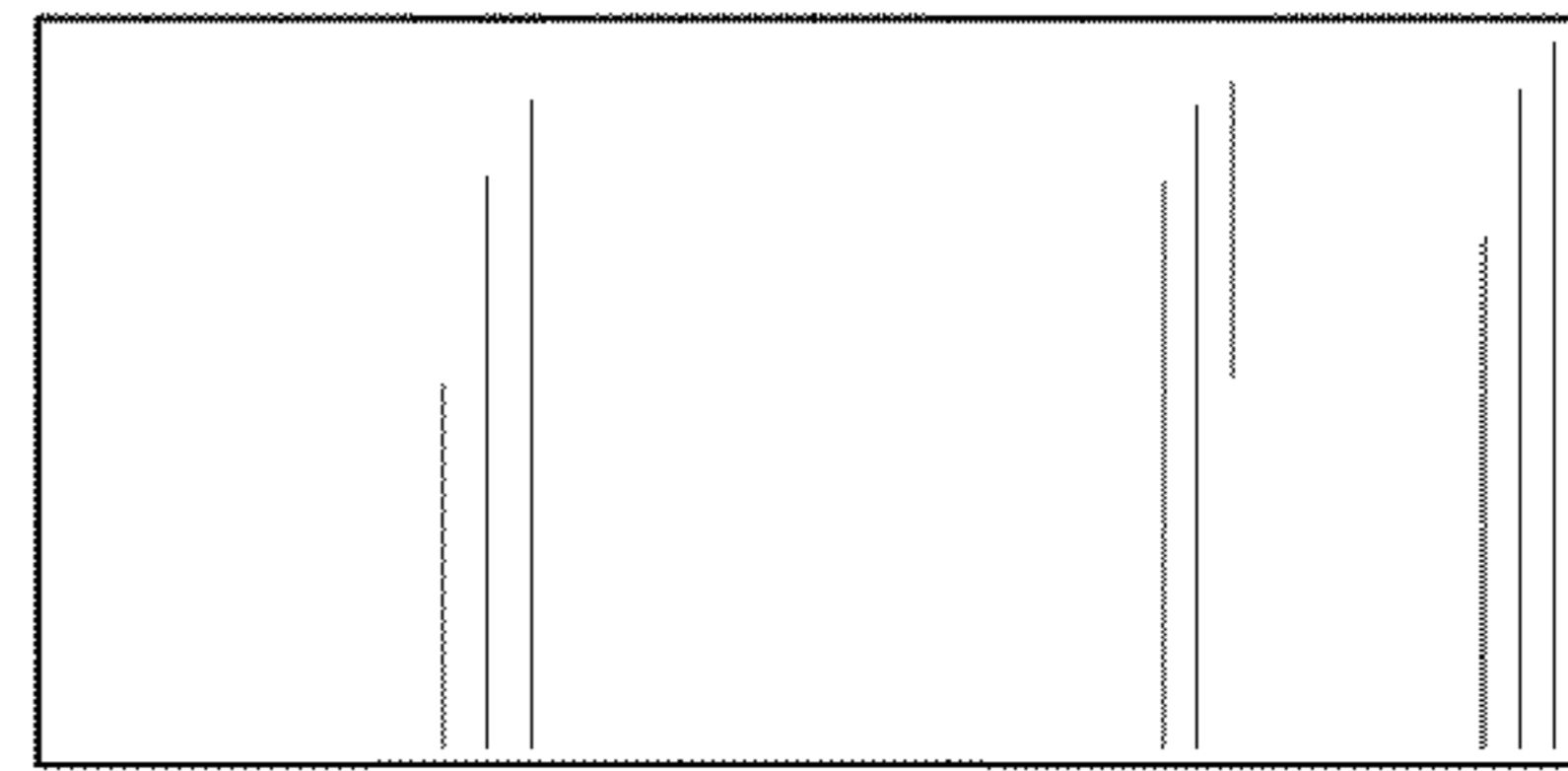


Fig. 2

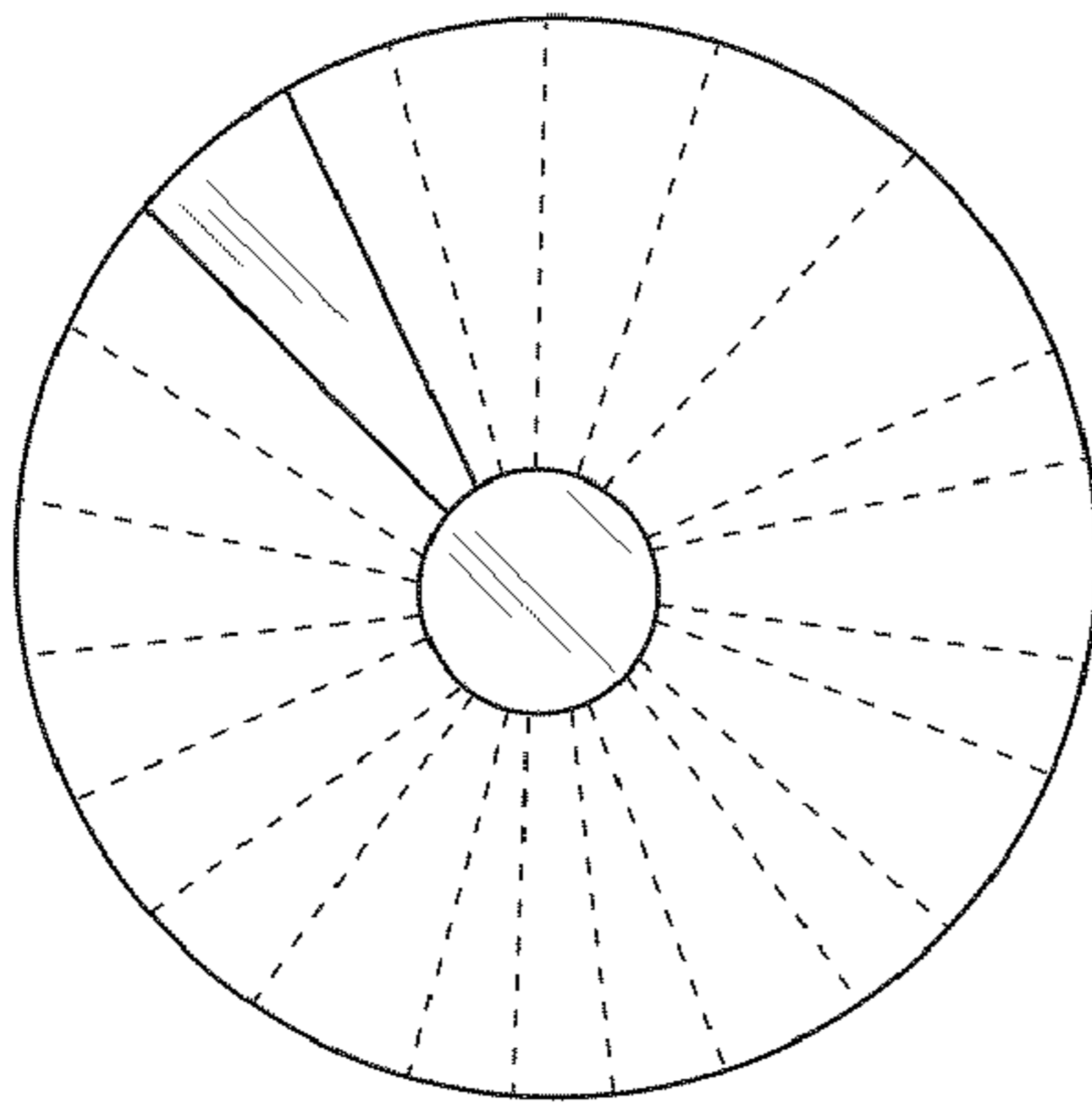


Fig. 3

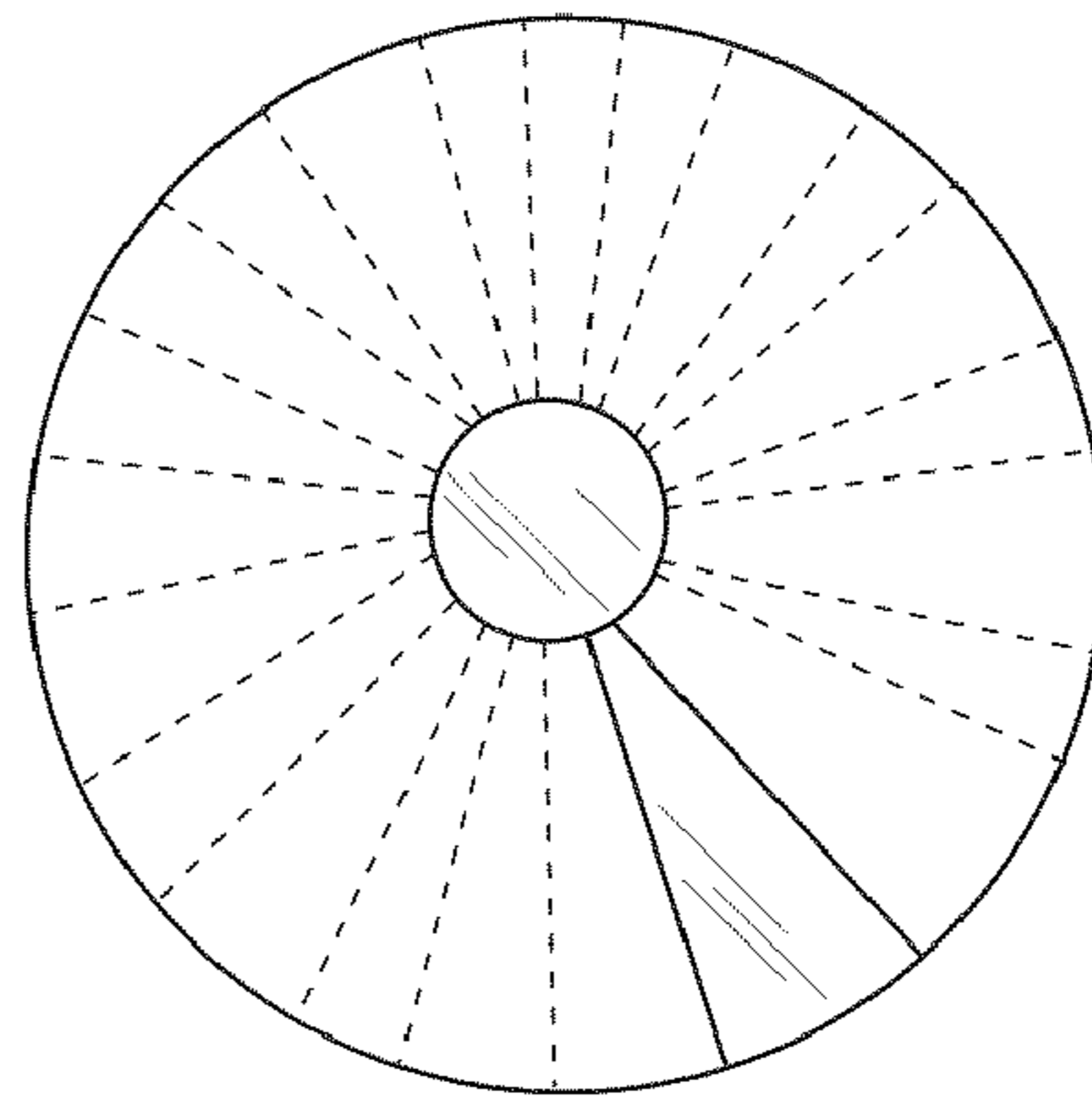


Fig. 4

UNITED STATES PATENT AND TRADEMARK OFFICE
CERTIFICATE OF CORRECTION

PATENT NO. : D646,569 S
APPLICATION NO. : 29/389463
DATED : October 11, 2011
INVENTOR(S) : Heidel et al.

Page 1 of 1

It is certified that error appears in the above-identified patent and that said Letters Patent is hereby corrected as shown below:

Title Page, item (75):

In the list of Inventors, delete "Brooklin" and insert --Brooklyn--.

Signed and Sealed this
Sixth Day of December, 2011

A handwritten signature in black ink that reads "David J. Kappos". The signature is written in a cursive style with a large initial 'D' and 'K'.

David J. Kappos
Director of the United States Patent and Trademark Office