



US00D646563S

(12) **United States Design Patent**  
**Bontrager et al.**

(10) **Patent No.:** **US D646,563 S**

(45) **Date of Patent:** **\*\* Oct. 11, 2011**

(54) **TAMPER EVIDENT CONTAINER**

(75) Inventors: **Richard Louis Bontrager**, Ripon, CA (US); **Randall Glenn Strange**, Manteca, CA (US)

(73) Assignee: **Earthbound Farm Holdings**, San Juan Bautista, CA (US)

(\*\*) Term: **14 Years**

(21) Appl. No.: **29/375,196**

(22) Filed: **Sep. 17, 2010**

(51) **LOC (9) Cl.** ..... **09-03**

(52) **U.S. Cl.** ..... **D9/425**

(58) **Field of Classification Search** ..... D9/414, D9/419, 424, 425, 430, 431, 432, 435, 737, D9/761; D7/538, 549, 550.1, 601-603, 605, D7/629; 229/105, 117.09, 117.26, 189, 406, 229/407, 902, 905, 915.1; 220/23.4, 23.6, 220/266, 281, 315, 318, 500, 659, 669, 674, 220/675, 696, 752, 760, 790, 793, DIG. 12, 220/FOR. 117; 206/508; D3/276

See application file for complete search history.

(56) **References Cited**

**U.S. PATENT DOCUMENTS**

6,554,147	B1	4/2003	Maida, Jr. et al.
6,659,296	B2	12/2003	Browne
D501,403	S	2/2005	Wilcock et al.
D502,096	S	2/2005	Wilcock et al.
D504,281	S	4/2005	Duggan
6,941,726	B2	9/2005	Ausnit
7,002,472	B2	2/2006	Stratmoen et al.
7,073,308	B2	7/2006	Dyke et al.
7,073,680	B2	7/2006	Boback et al.
7,114,309	B2	10/2006	Ausnit

7,118,003	B2	10/2006	Sellari et al.	
7,174,277	B2	2/2007	Vock et al.	
7,185,475	B2	3/2007	Ausnit	
7,267,856	B2	9/2007	Patel et al.	
7,302,782	B2	12/2007	Ausnit	
7,316,641	B2	1/2008	Rehwinkel et al.	
7,472,799	B2	1/2009	Cadiente et al.	
D585,735	S	2/2009	Vovan et al.	
D587,993	S	3/2009	Vovan	
7,537,386	B2	5/2009	Linton et al.	
7,568,589	B2	8/2009	Vovan	
7,631,776	B2	12/2009	Vovan et al.	
7,634,892	B2	12/2009	Ausnit	
7,669,307	B2	3/2010	Patel et al.	
7,712,626	B2	5/2010	Vovan	
7,762,414	B2	7/2010	Uytterhaeghe et al.	
D628,470	S *	12/2010	Golota et al.	D9/425
D636,258	S *	4/2011	Freeman et al.	D9/425
2007/0138180	A1 *	6/2007	Vovan	220/266

\* cited by examiner

*Primary Examiner* — Thomas Johannes

(74) *Attorney, Agent, or Firm* — Fliesler Meyer LLP

(57) **CLAIM**

The ornamental design for a tamper evident container, as shown and described.

**DESCRIPTION**

FIG. 1 is a top perspective view of a tamper evident container showing our new design;

FIG. 2 is a bottom perspective plan view thereof;

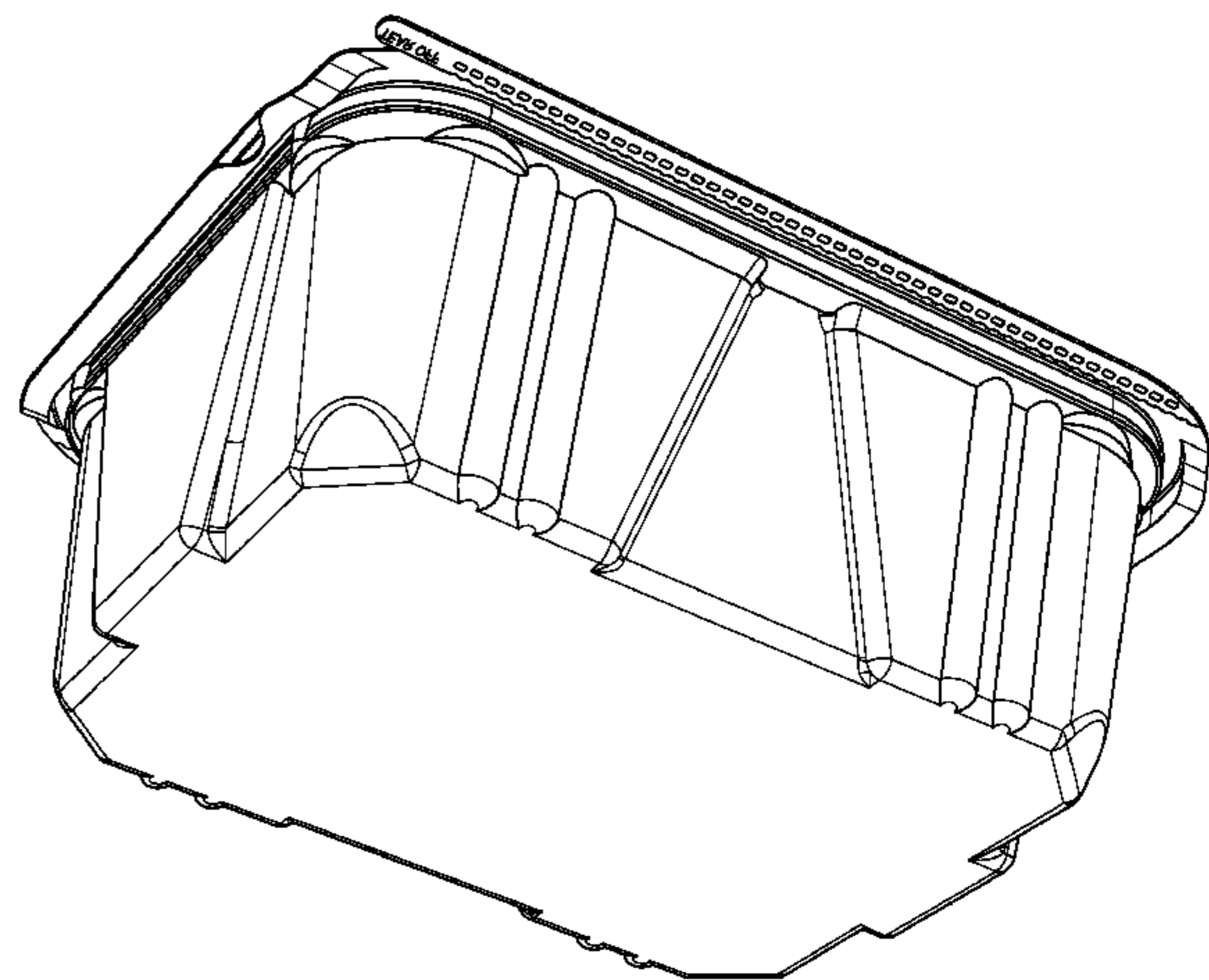
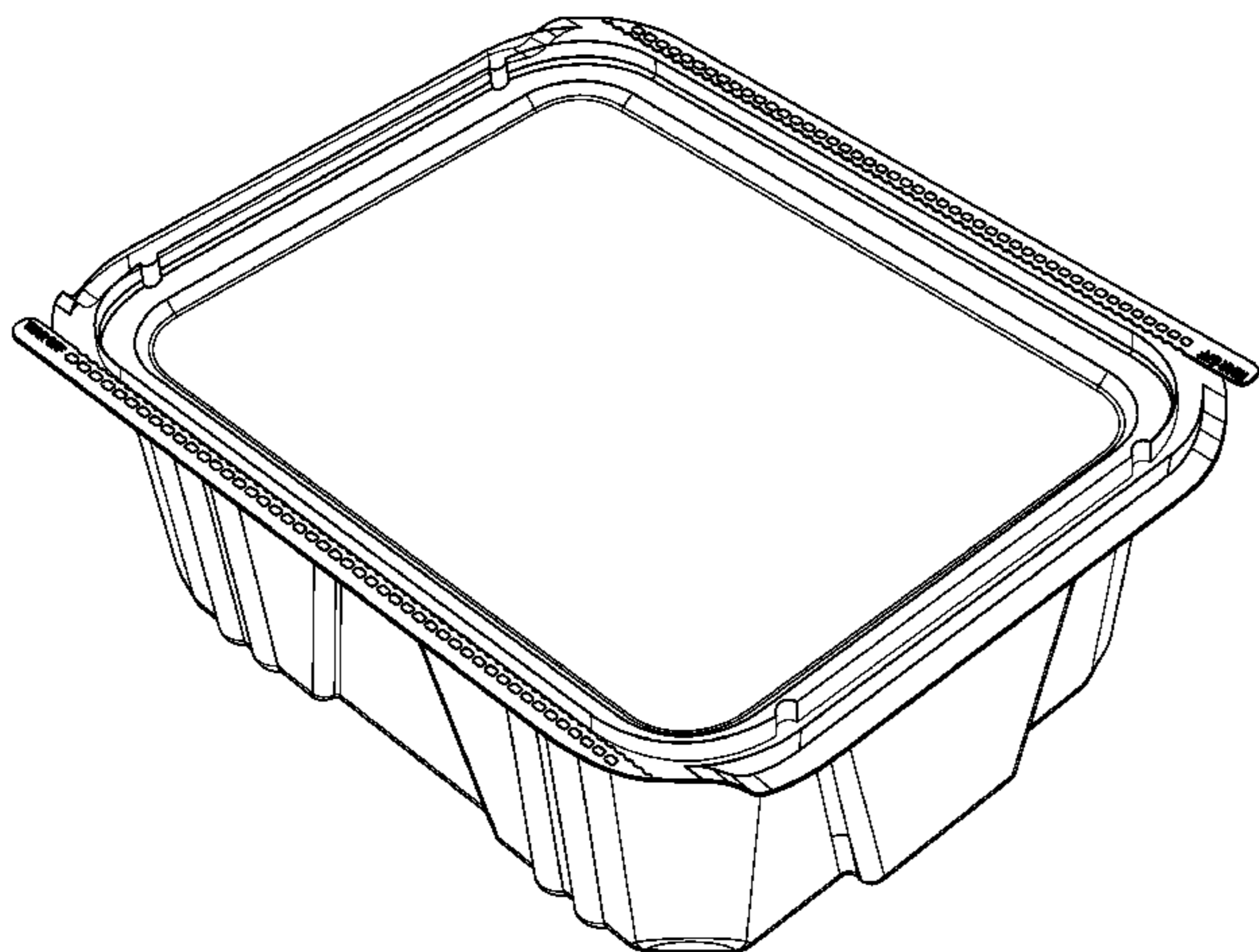
FIG. 3 is a side elevation view thereof, the opposite side being a mirror image;

FIG. 4 is a bottom view thereof;

FIG. 5 is a top plan view thereof; and,

FIG. 6 is an end elevation view thereof; the opposite side being a mirror image.

**1 Claim, 6 Drawing Sheets**



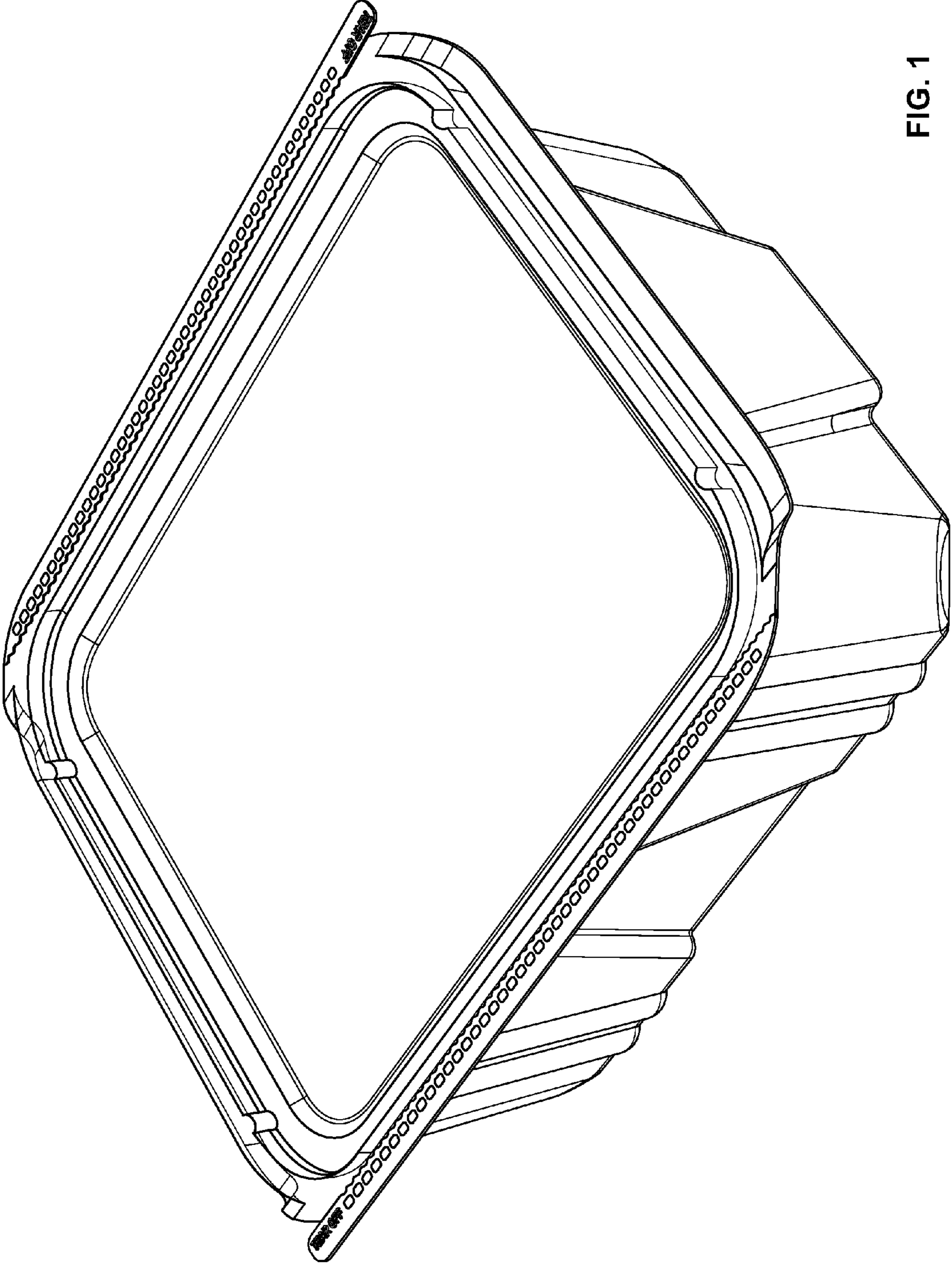


FIG. 1

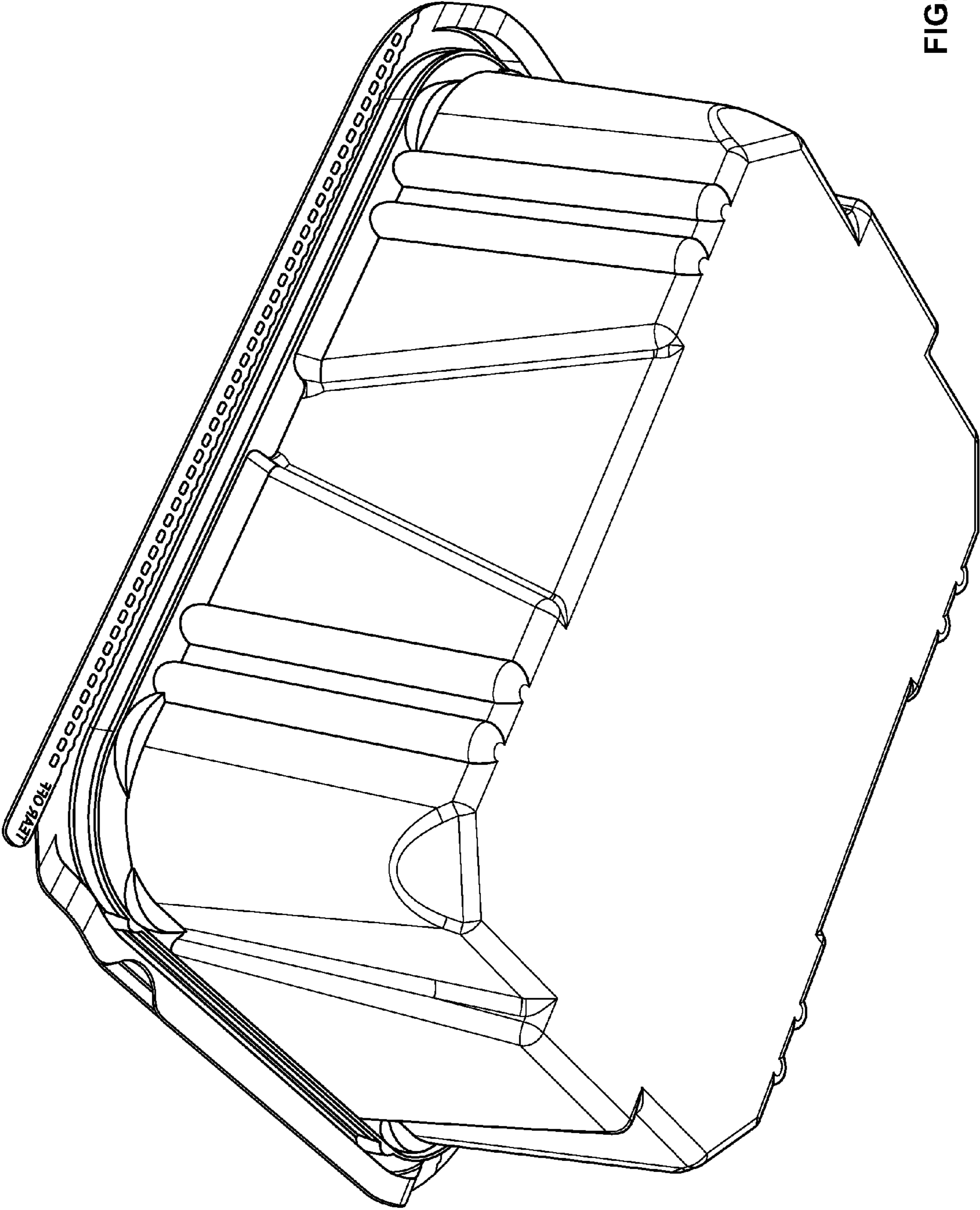


FIG. 2

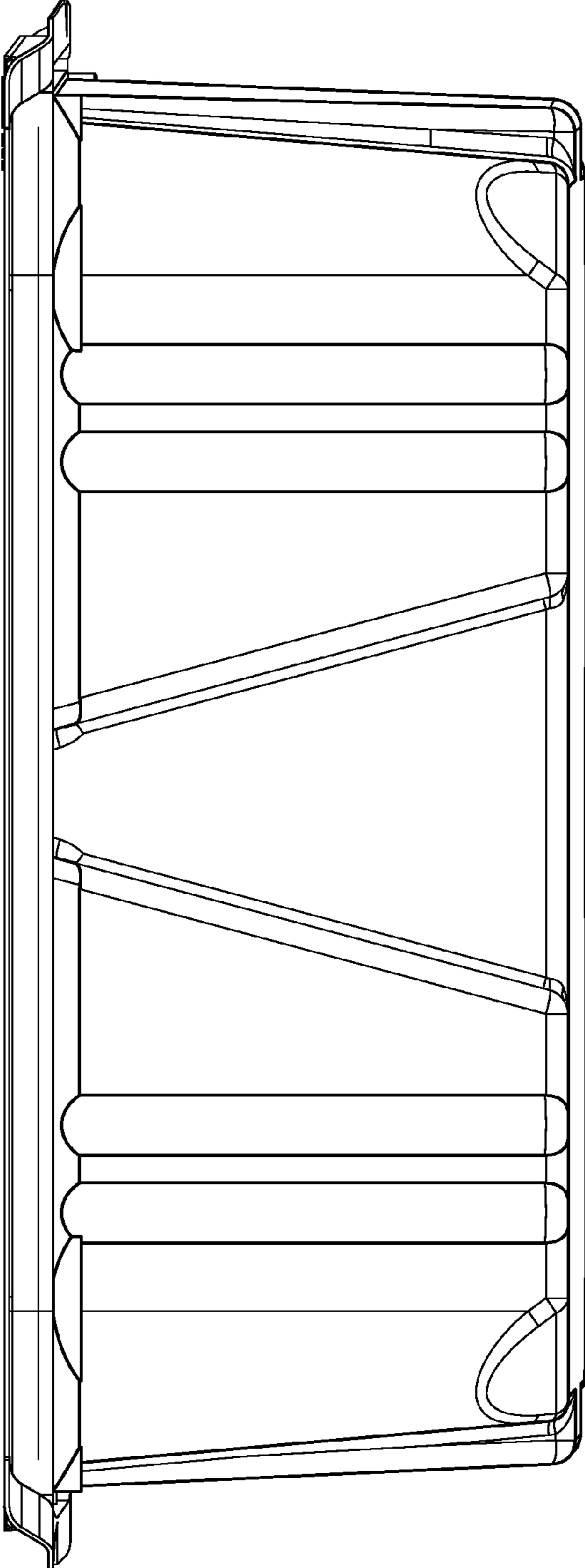


FIG. 3

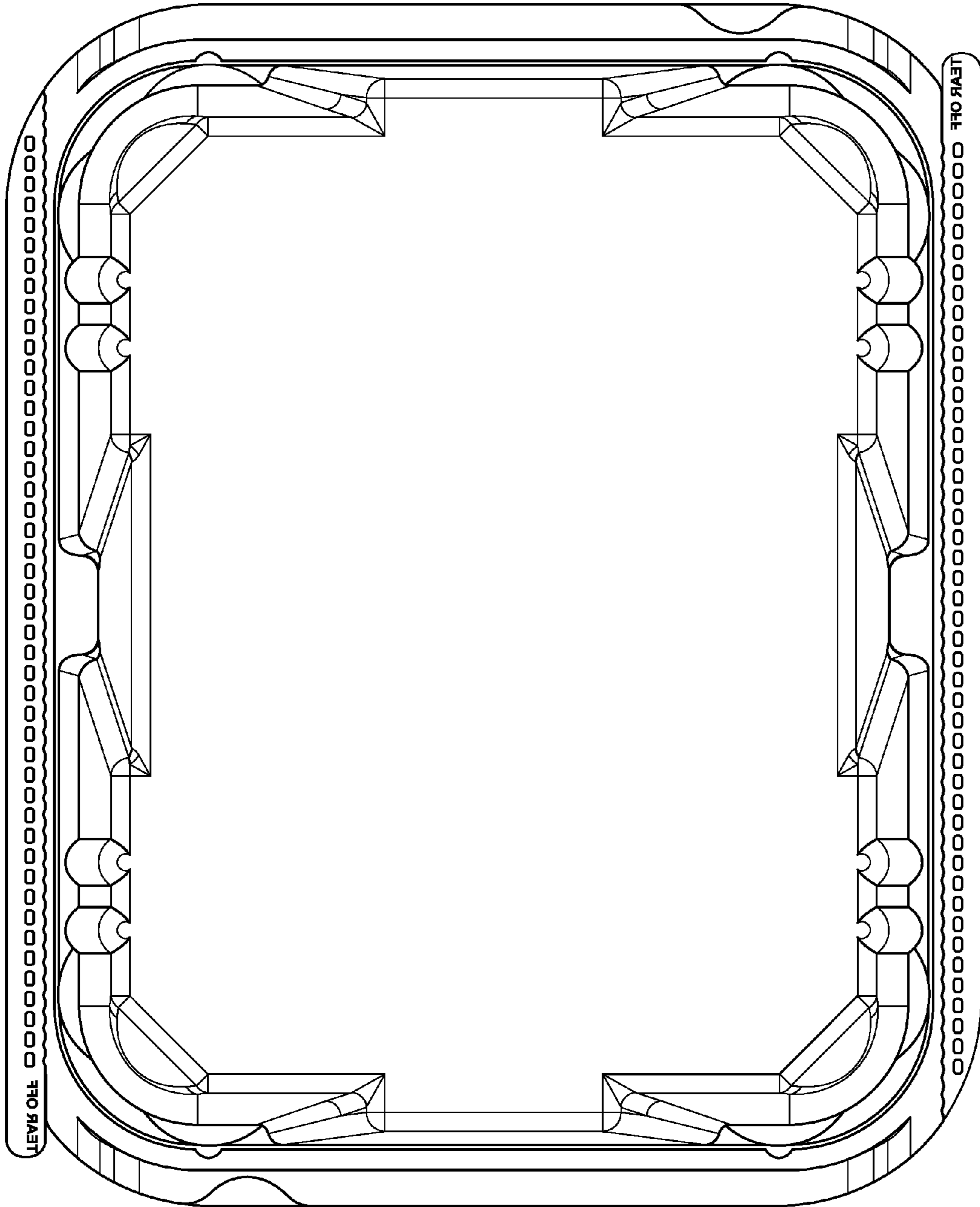


FIG. 4

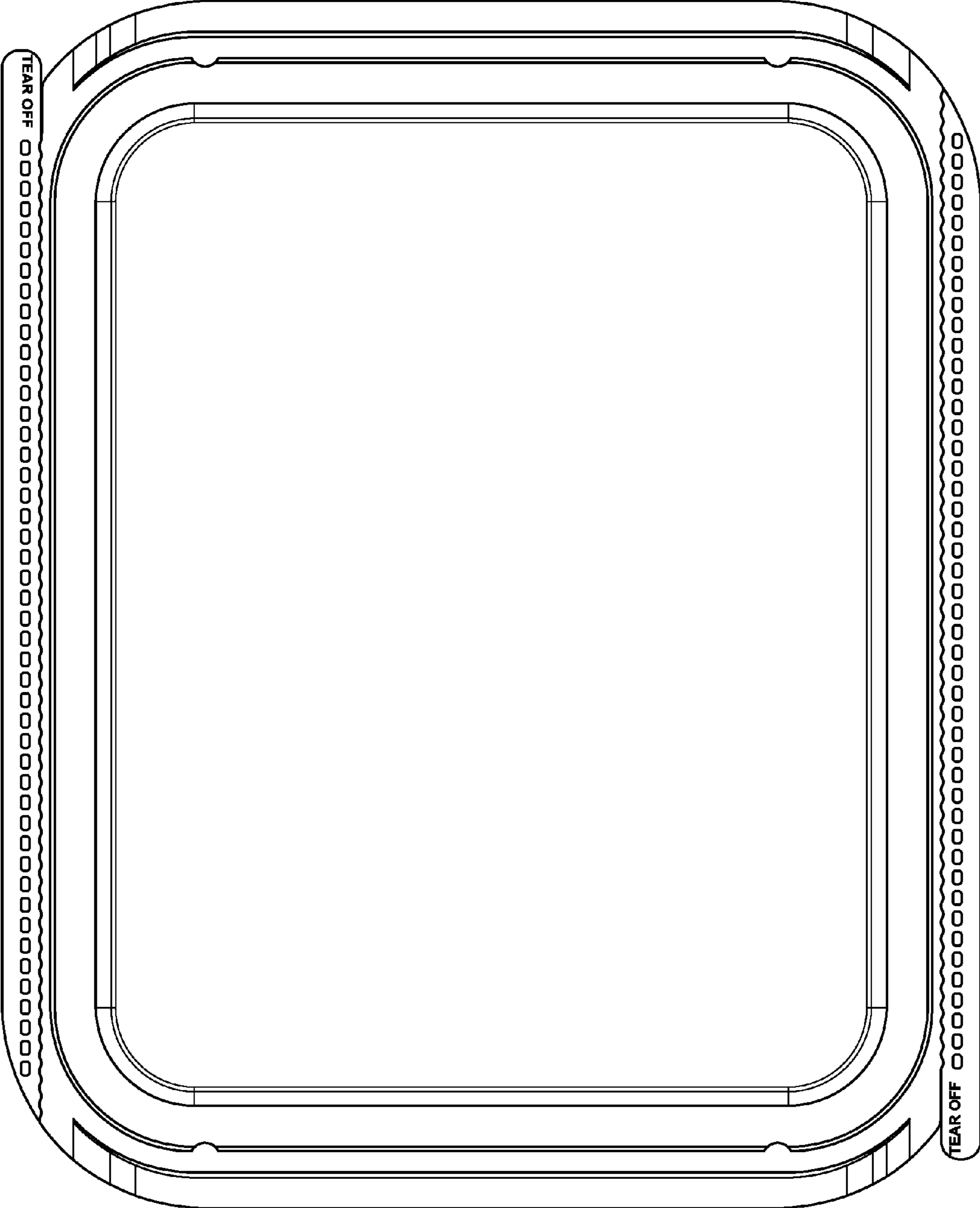


FIG. 5

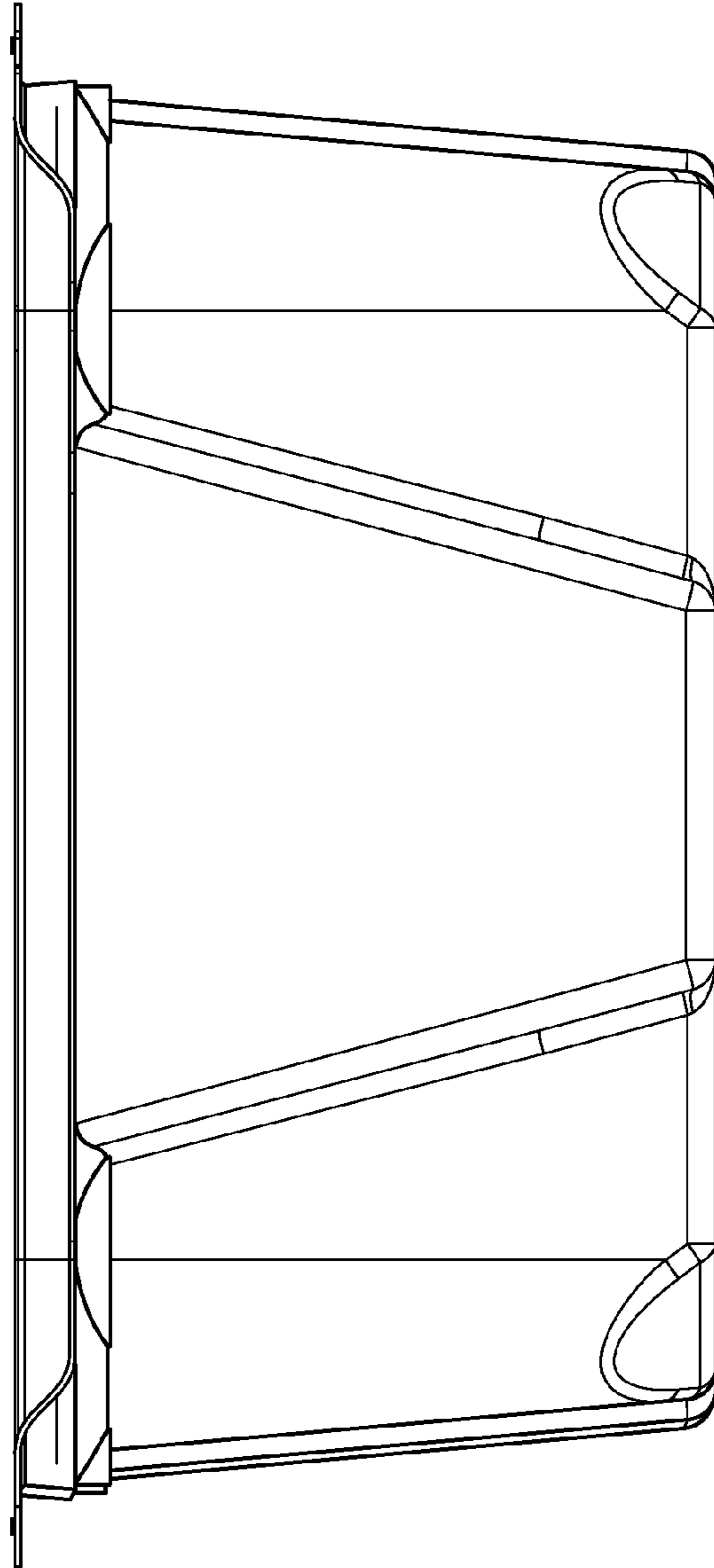


FIG. 6

UNITED STATES PATENT AND TRADEMARK OFFICE  
Certificate

Patent No. D. 646,563 S

Patented: October 11, 2011

On petition requesting issuance of a certificate for correction of inventorship pursuant to 35 U.S.C. 256, it has been found that the above identified patent, through error and without any deceptive intent, improperly sets forth the inventorship.

Accordingly, it is hereby certified that the correct inventorship of this patent is: Richard Louis Bontrager, Ripon, CA (US); Randall Glenn Strange, Manteca, CA (US); and Joseph Torquato, Hollister, CA (US).

Signed and Sealed this Eighth Day of April 2014.

STELLA M. REID  
*Supervisory Patent Examiner*  
Art Unit 2912  
Technology Center 2900