



US00D646559S

(12) **United States Design Patent**
Near

(10) **Patent No.:** **US D646,559 S**

(45) **Date of Patent:** **** Oct. 11, 2011**

(54) **WALL CLIP**

(76) Inventor: **Shannon Near**, Grand Rapids, MI (US)

(**) Term: **14 Years**

(21) Appl. No.: **29/375,983**

(22) Filed: **Sep. 30, 2010**

(51) **LOC (9) Cl.** **08-08**

(52) **U.S. Cl.** **D8/384**

(58) **Field of Classification Search** D8/382,
D8/384, 349, 354; 52/489.2, 514, 285.3,
52/98; 411/466

See application file for complete search history.

(56) **References Cited**

U.S. PATENT DOCUMENTS

D32,811	S *	6/1900	Paul	D8/384
1,373,036	A *	3/1921	Upson	411/466
3,922,764	A	12/1975	Downing, Jr.		
3,969,865	A	7/1976	Andersen		
3,986,313	A	10/1976	Nelsson		
4,000,596	A	1/1977	Magill et al.		
4,094,114	A	6/1978	Burcham		
4,106,251	A	8/1978	Nelsson		
4,149,353	A	4/1979	Adams		
4,255,910	A	3/1981	Wendt		
D271,849	S *	12/1983	Kunz	D8/384
4,442,642	A	4/1984	Lindner et al.		
4,448,007	A *	5/1984	Adams	52/489.2
4,471,593	A	9/1984	Ragland		
D277,546	S *	2/1985	Trotta	D8/349
4,567,706	A	2/1986	Wendt		
4,596,094	A	6/1986	Teller et al.		
4,621,473	A	11/1986	Wendt		
D323,105	S *	1/1992	Paul	D8/382
5,408,796	A	4/1995	Hashimoto et al.		
5,467,566	A *	11/1995	Swartz et al.	52/235
D368,650	S *	4/1996	Wastermark	D8/390

D375,892	S *	11/1996	Kraemer, Jr.	D8/384
5,590,502	A	1/1997	Wendt		
5,653,076	A	8/1997	Habraken et al.		
D393,588	S *	4/1998	Tuthill	D8/384
D436,311	S *	1/2001	Edvardsson	D8/382
6,209,277	B1 *	4/2001	DiGate	52/514
D589,334	S *	3/2009	Hotchkiss, III	D8/382
2008/0209832	A1	9/2008	Near		

FOREIGN PATENT DOCUMENTS

WO WO9503458 2/1995

OTHER PUBLICATIONS

Durasan(R) Brand Prefinished Gypsum Board, National Gypsum (Rev. Jan. 2008).

* cited by examiner

Primary Examiner — Cynthia M Chin

Assistant Examiner — Sheryl Lane

(74) *Attorney, Agent, or Firm* — Price Heneveld LLP

(57) **CLAIM**

I claim the ornamental design for a wall clip, as shown and described.

DESCRIPTION

FIG. 1 is a perspective view of the wall clip showing my new design.

FIG. 2 is a second perspective view of the wall clip showing my new design.

FIG. 3 is a front view of the wall clip showing my new design.

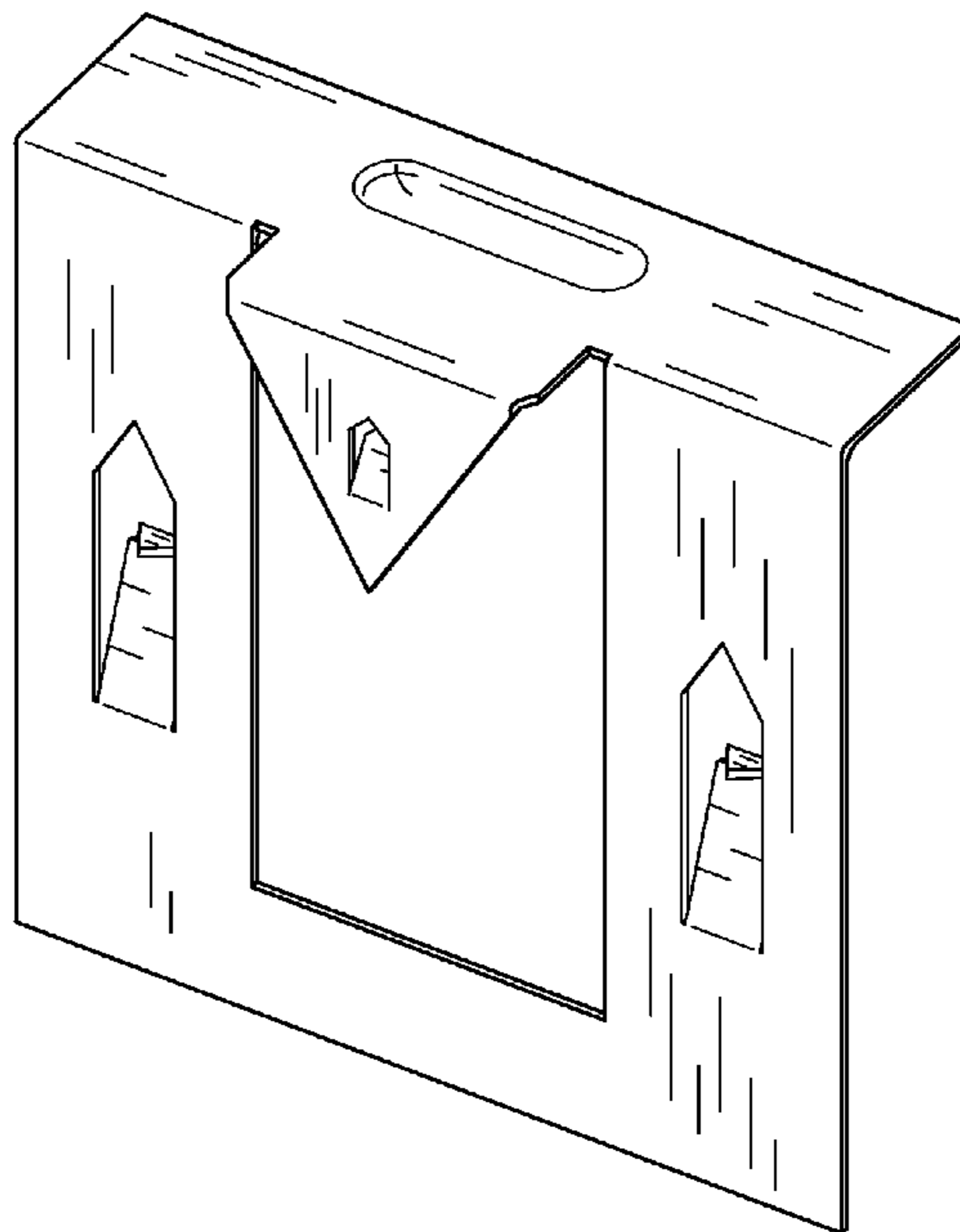
FIG. 4 is a back view of the wall clip showing my new design.

FIG. 5 is a side view of the wall clip showing my new design.

FIG. 6 is a top view of the wall clip showing my new design; and,

FIG. 7 is a bottom view of the wall clip showing my new design.

1 Claim, 3 Drawing Sheets



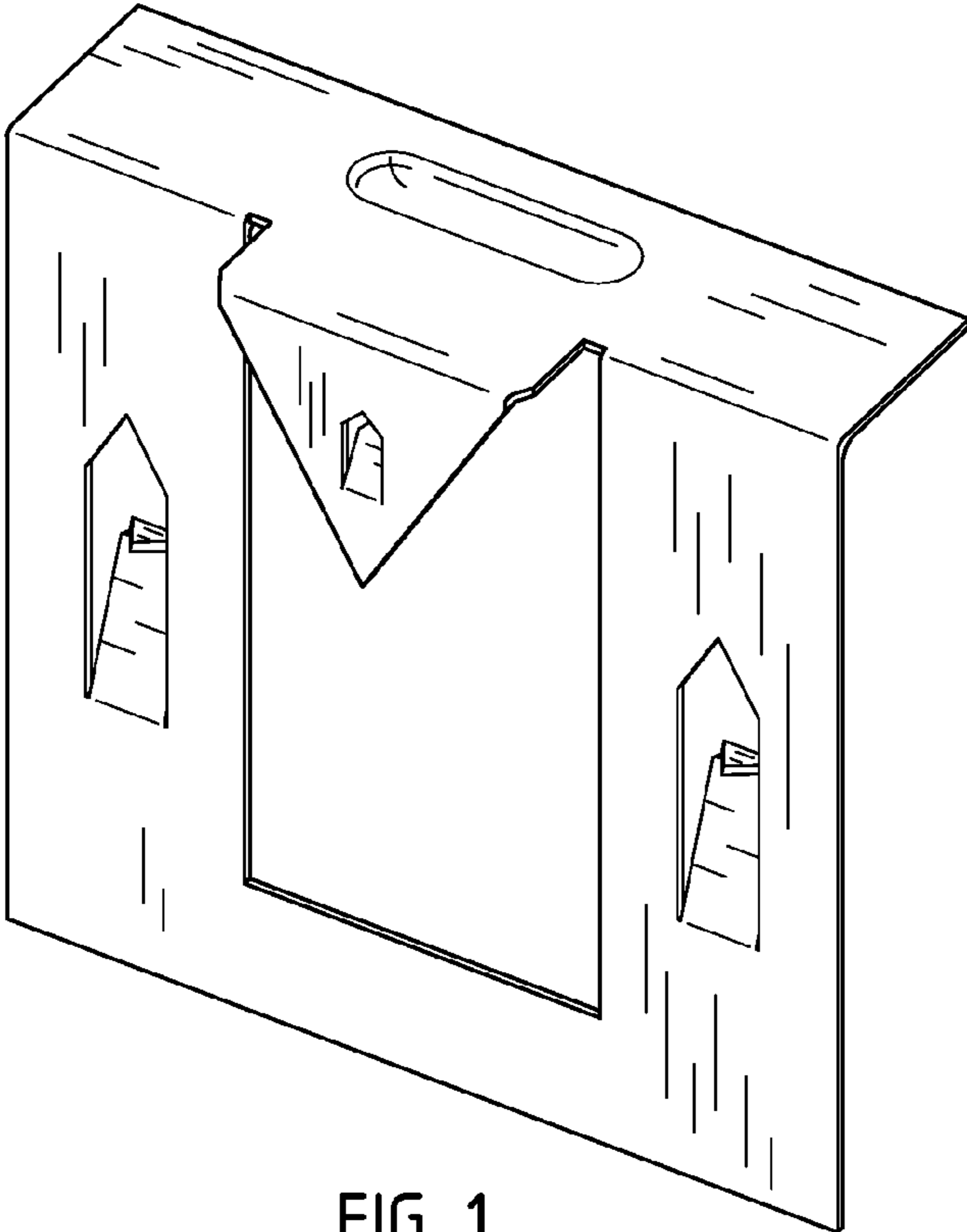


FIG. 1

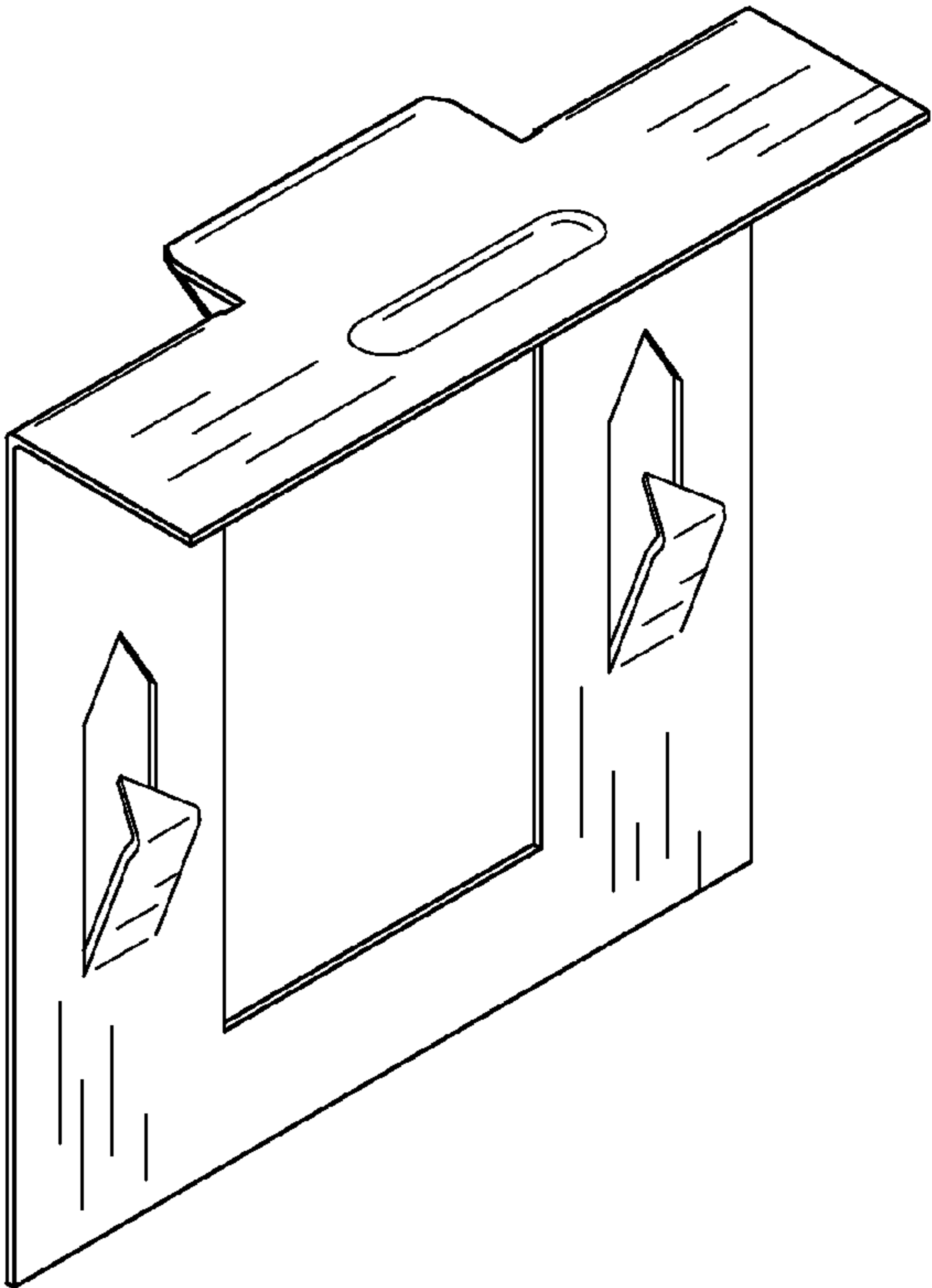


FIG. 2

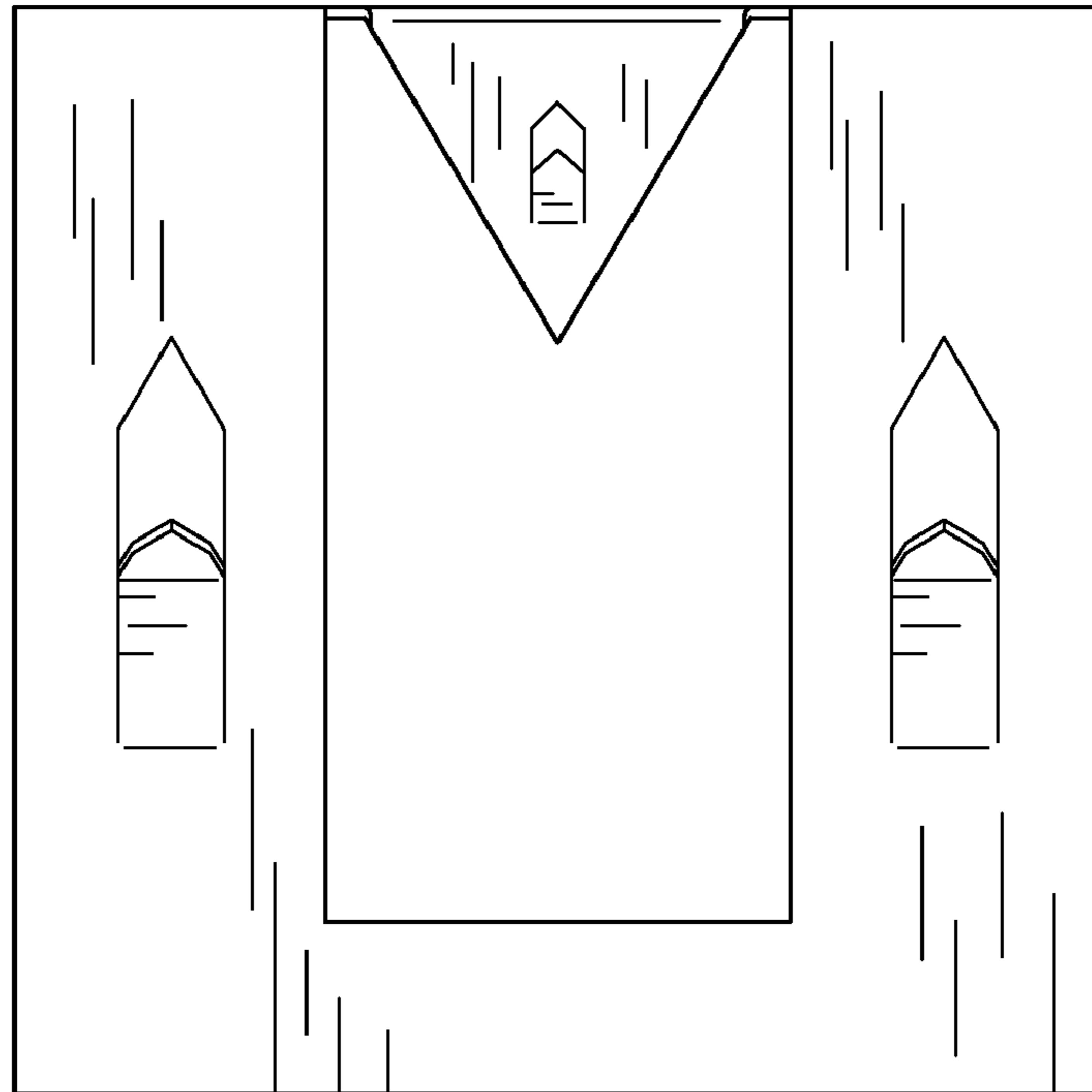


FIG. 3

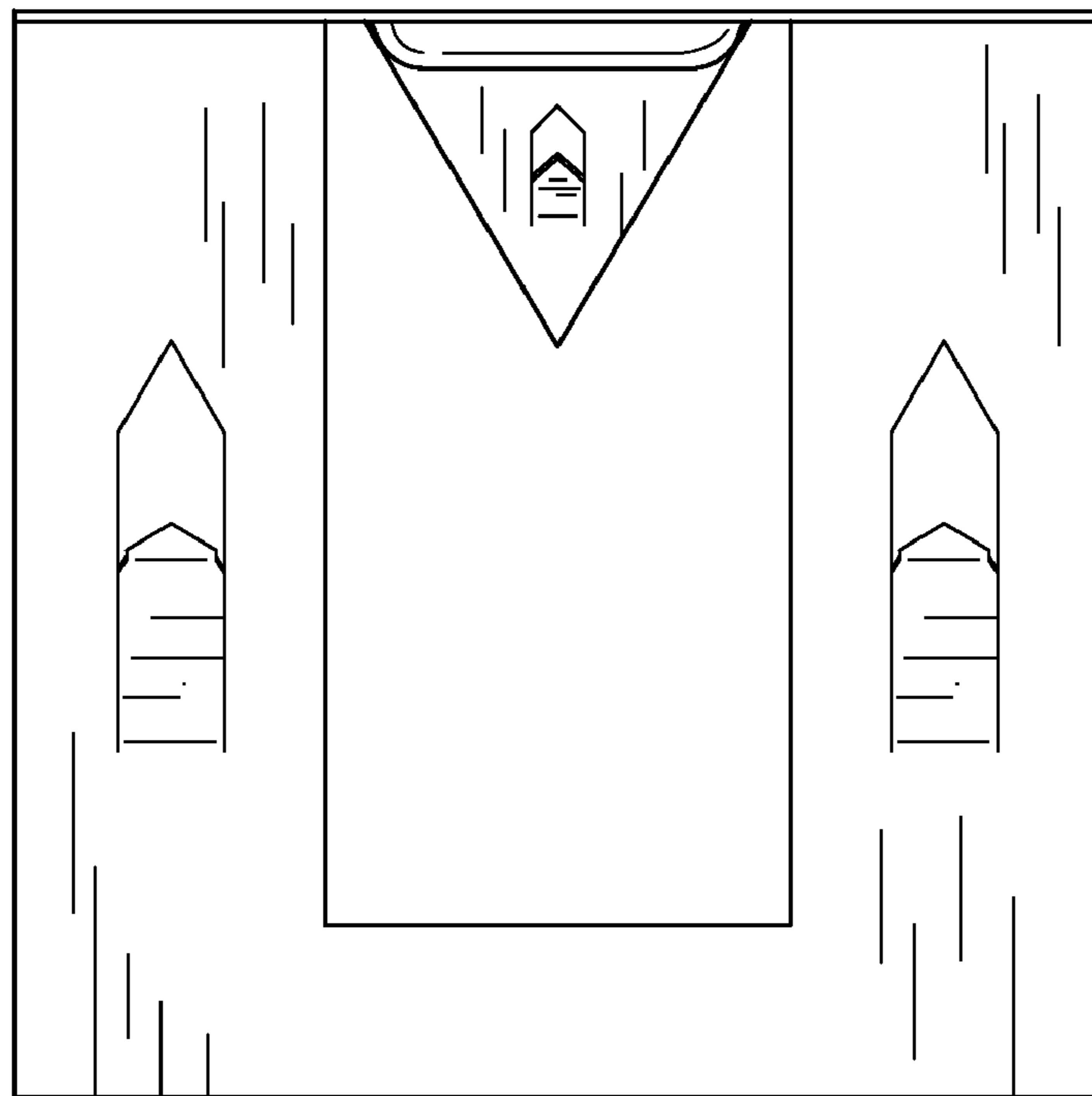


FIG. 4

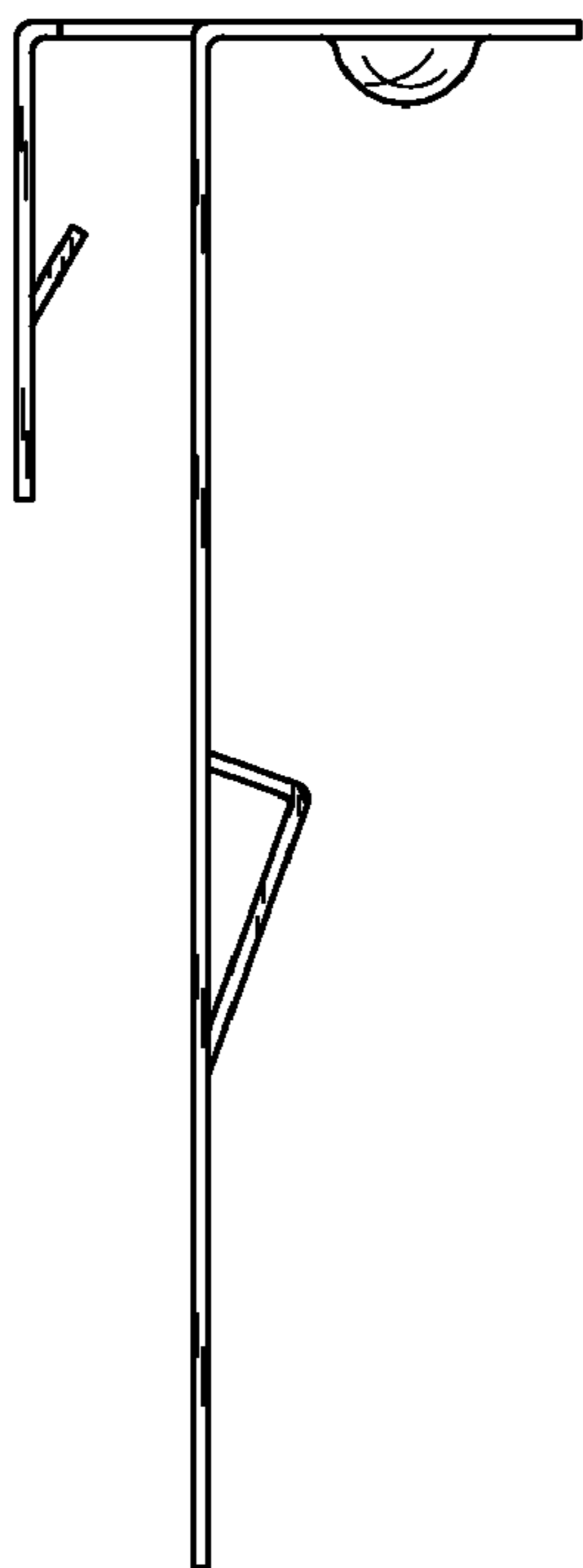


FIG. 5

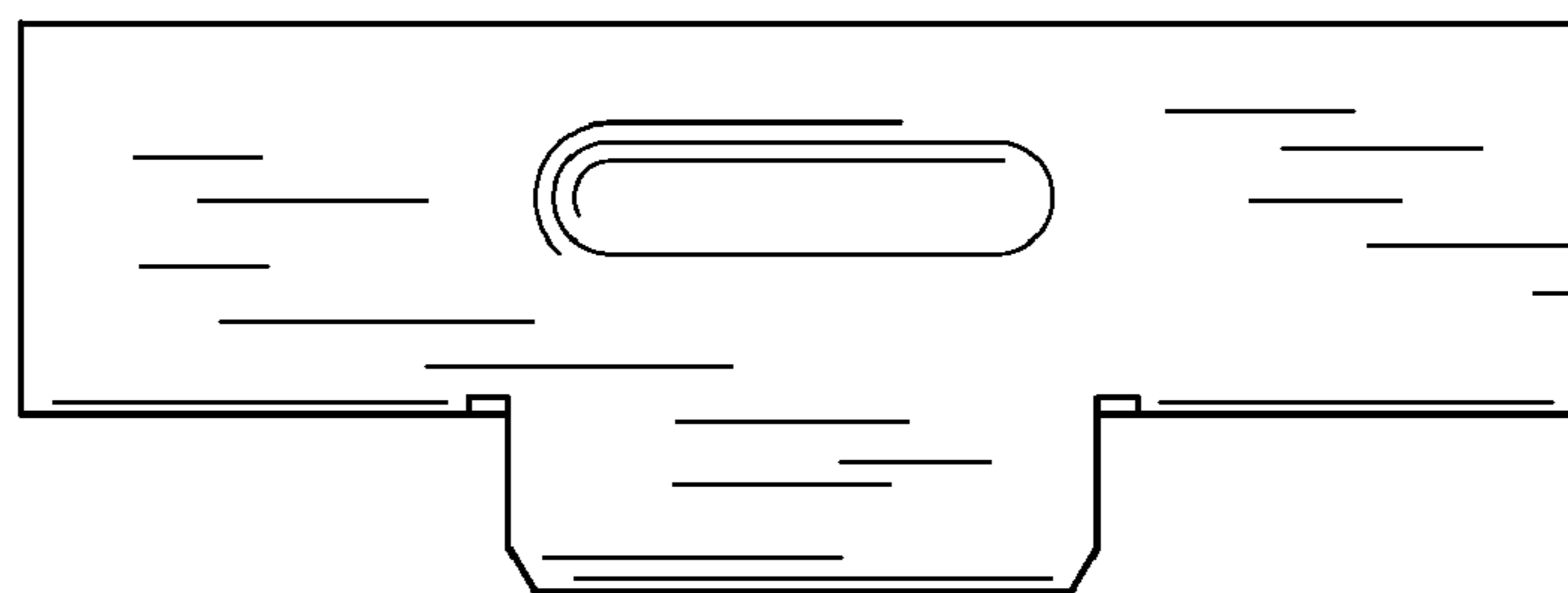


FIG. 6

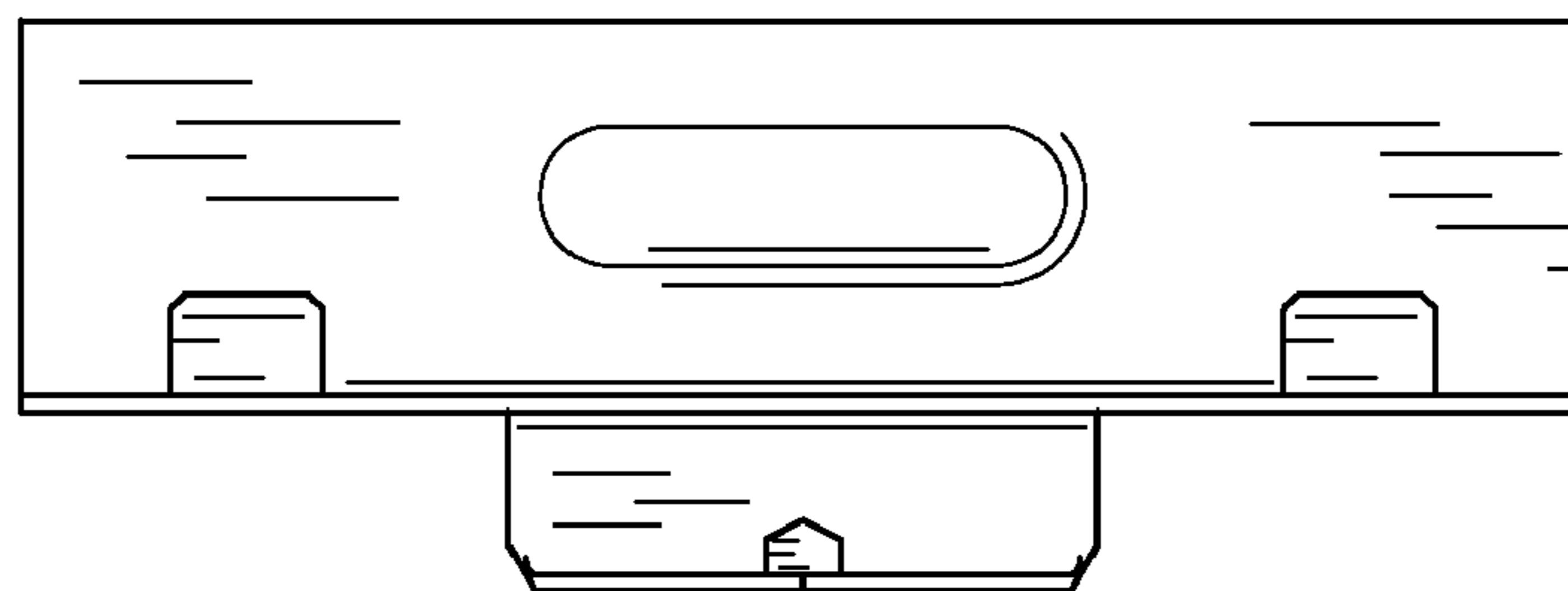


FIG. 7