



US00D646558S

(12) **United States Design Patent**
Murray

(10) **Patent No.:** **US D646,558 S**

(45) **Date of Patent:** **** Oct. 11, 2011**

(54) **SUCTION CUP HANGING DEVICE**

Primary Examiner — Holly Baynham

(75) **Inventor:** **Thomas W. Murray**, Baltimore, MD
(US)

(74) *Attorney, Agent, or Firm* — Stephen R. Valancius

(73) **Assignee:** **Black & Decker Inc.**, Newark, DE (US)

(57) **CLAIM**

The ornamental design for a suction cup hanging device, as shown and described.

(**) **Term:** **14 Years**

DESCRIPTION

(21) **Appl. No.:** **29/369,464**

(22) **Filed:** **Sep. 9, 2010**

(51) **LOC (9) Cl.** **08-05**

(52) **U.S. Cl.** **D8/373**

(58) **Field of Classification Search** D8/349,
D8/354, 363, 373; 248/205.2–205.5
See application file for complete search history.

FIG. 1 is a perspective view of a suction cup hanging device according to the present invention;

FIG. 2 is a rear perspective view of the suction cup hanging device of FIG. 1;

FIG. 3 is a front view of the suction cup hanging device of FIG. 1;

FIG. 4 is a back view of the suction cup hanging device of FIG. 1;

FIG. 5 is a left side view of the suction cup hanging device of FIG. 1;

FIG. 6 is a right side view of the suction cup hanging device of FIG. 1;

FIG. 7 is a bottom view of the suction cup hanging device of FIG. 1; and,

FIG. 8 is a top view of the suction cup hanging device of FIG. 1.

The broken lines showing portions of the suction cup are for the purposes of illustrating environment and form no part of the claimed design.

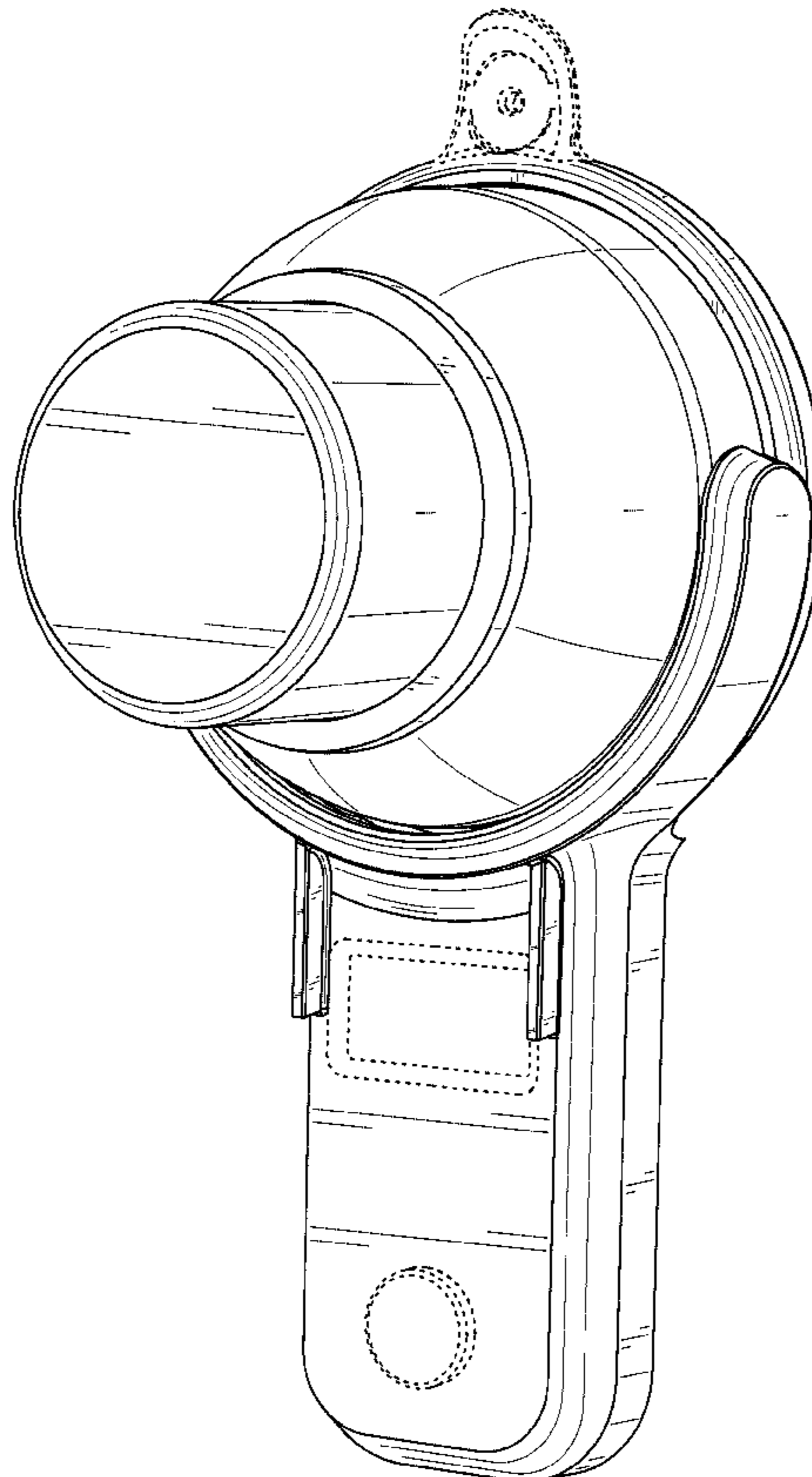
(56) **References Cited**

U.S. PATENT DOCUMENTS

| | | | | |
|----------------|---------|---------------|-------|-----------|
| D361,544 S * | 8/1995 | Eisenbraun | | D12/187 |
| 5,996,950 A * | 12/1999 | Richter | | 248/205.5 |
| D435,992 S * | 1/2001 | Min-Tsung | | D6/540 |
| D479,787 S * | 9/2003 | Degen | | D8/72 |
| D526,587 S * | 8/2006 | Lopano | | D10/66 |
| D527,616 S * | 9/2006 | Hajianpour | | D8/373 |
| D533,076 S * | 12/2006 | Awbrey et al. | | D9/719 |
| D588,903 S * | 3/2009 | Carnevali | | D8/355 |
| 7,735,791 B2 * | 6/2010 | Bury | | 248/205.5 |

* cited by examiner

1 Claim, 8 Drawing Sheets



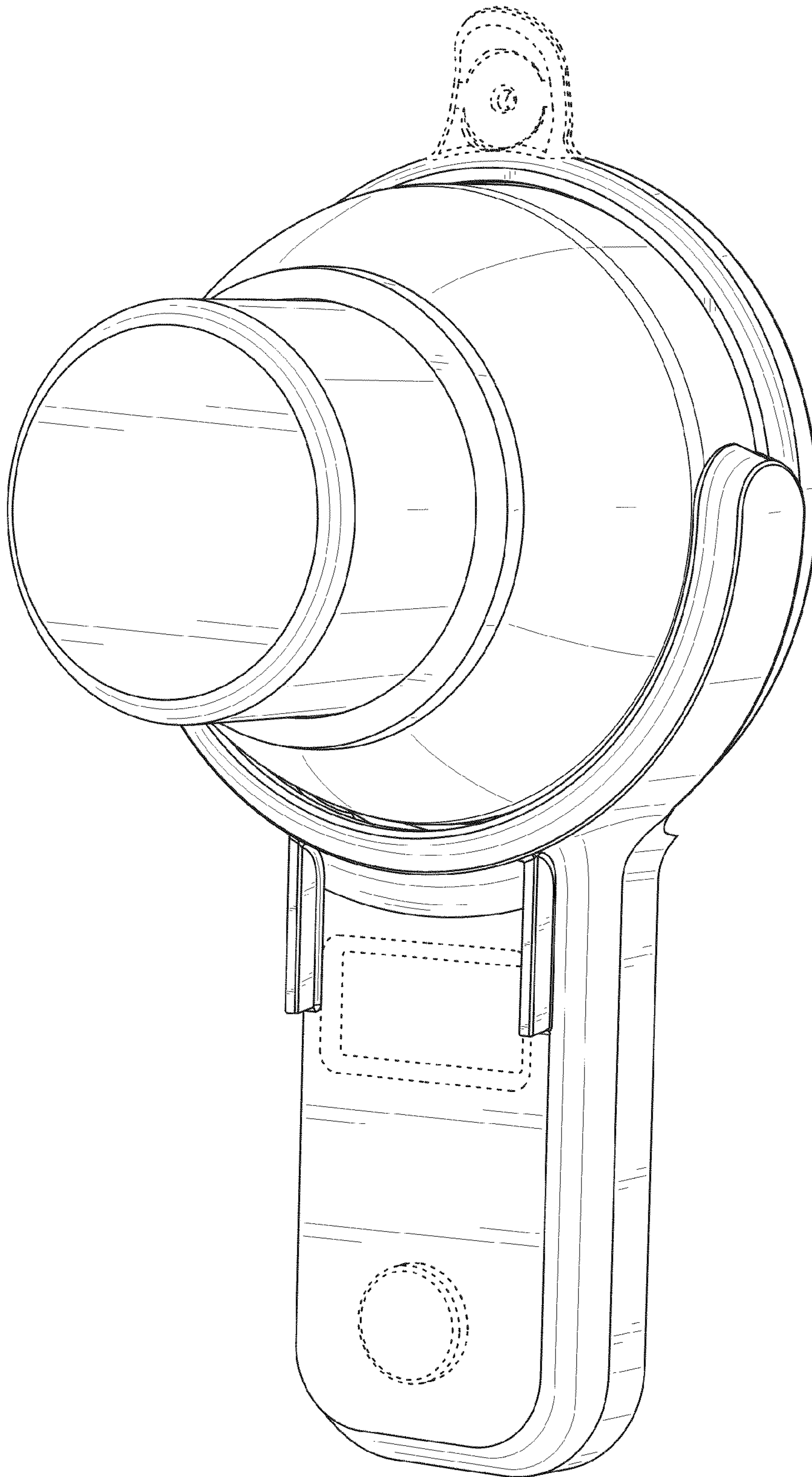


FIG. 1

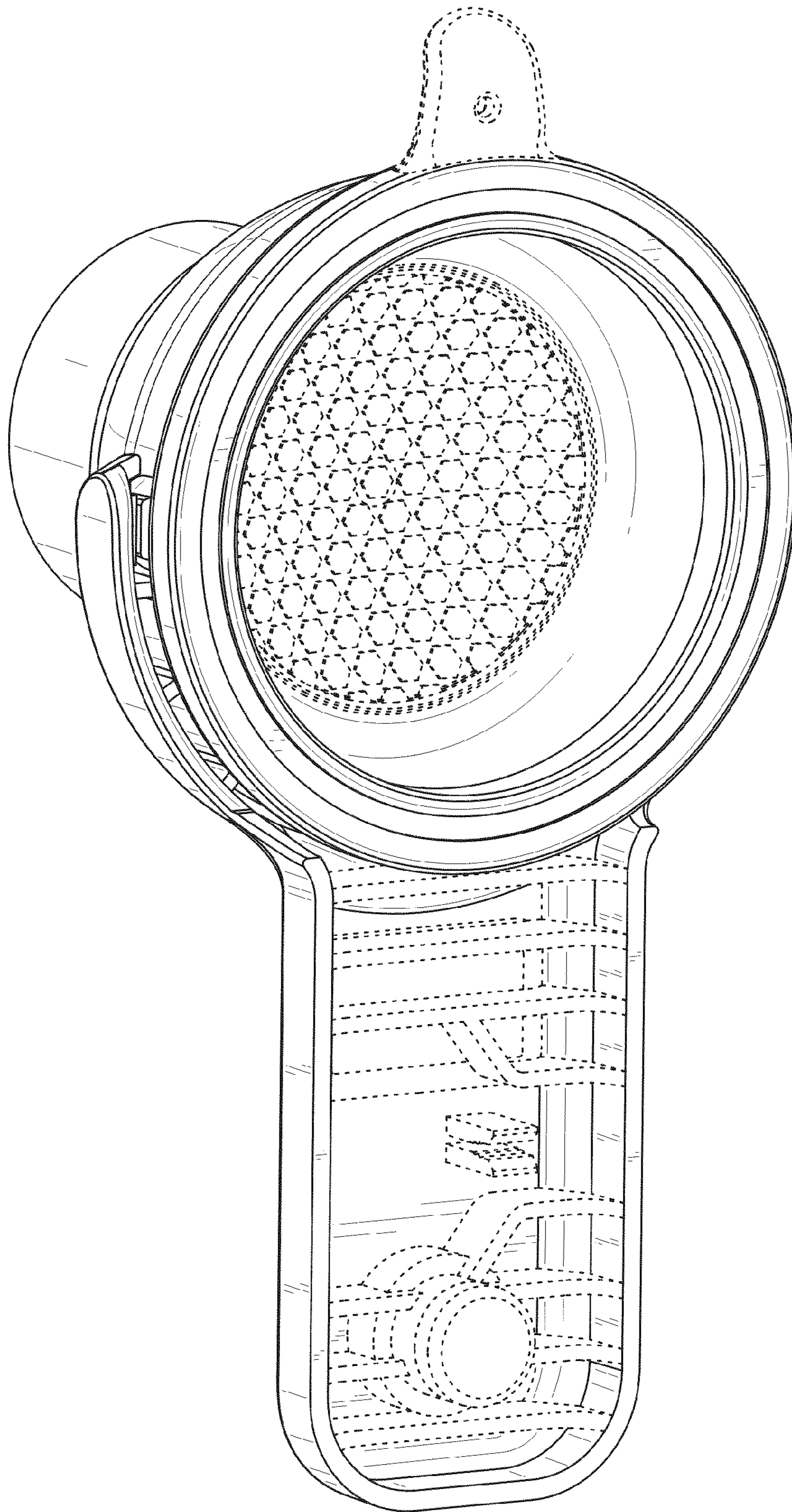


FIG. 2

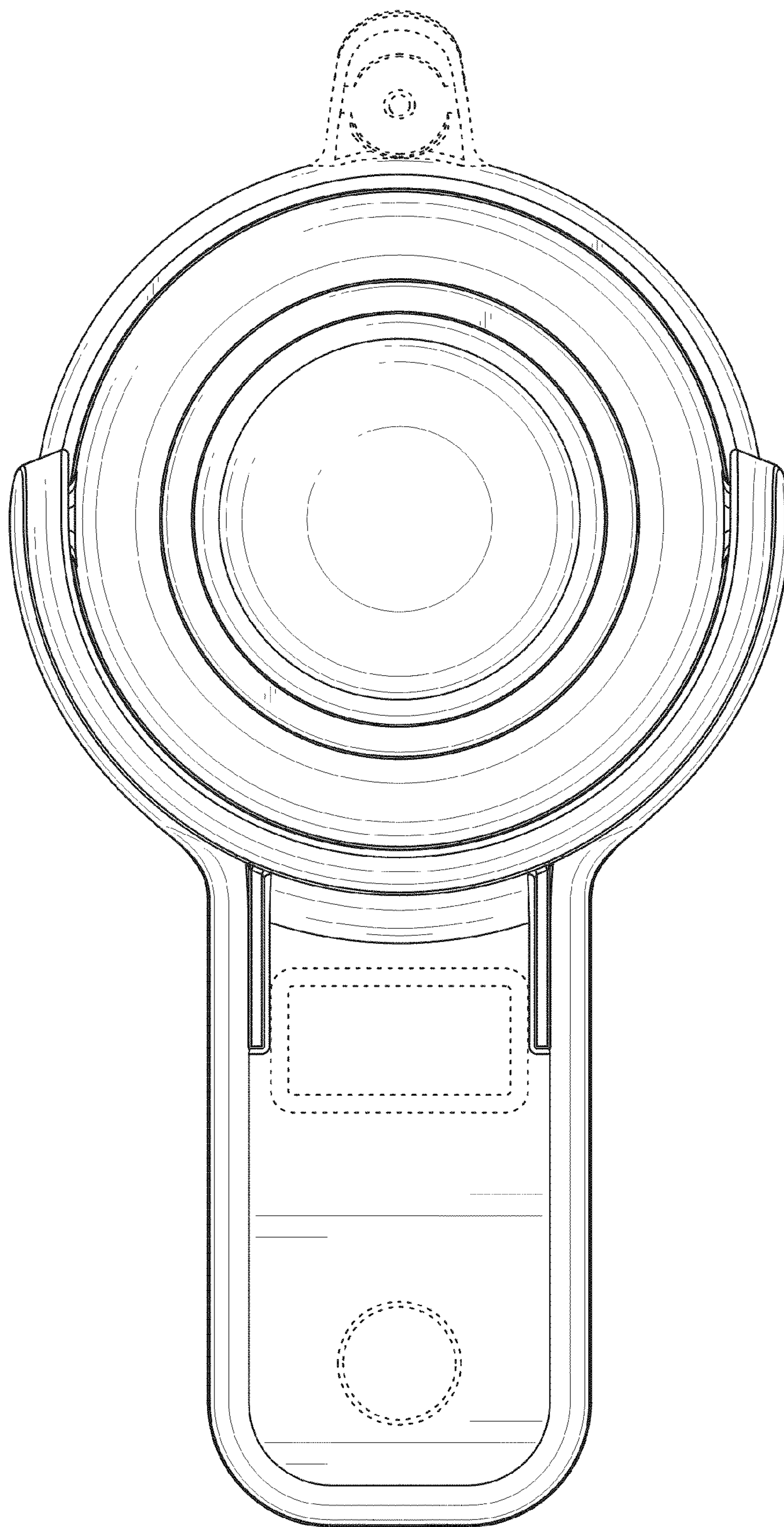


FIG. 3

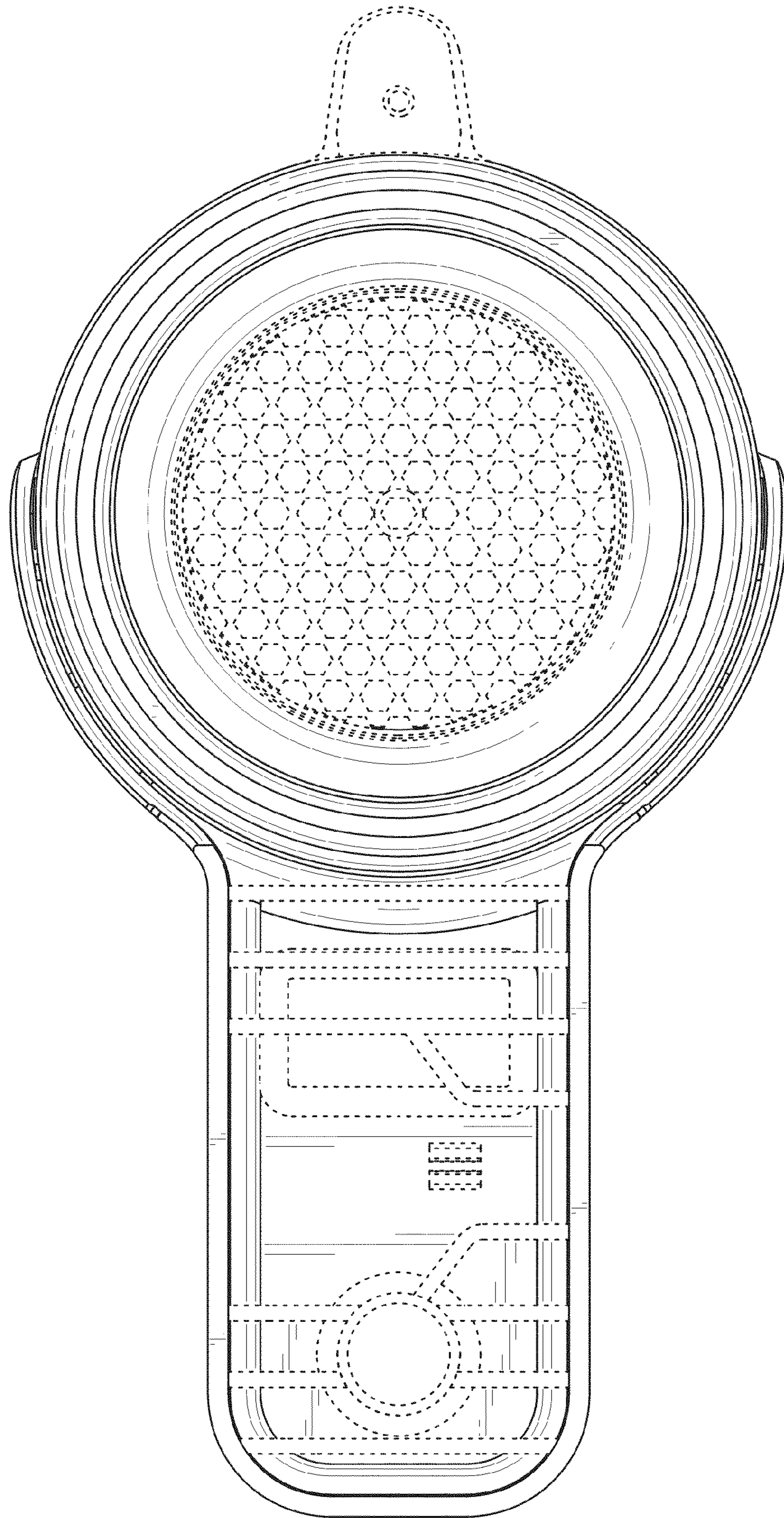


FIG. 4

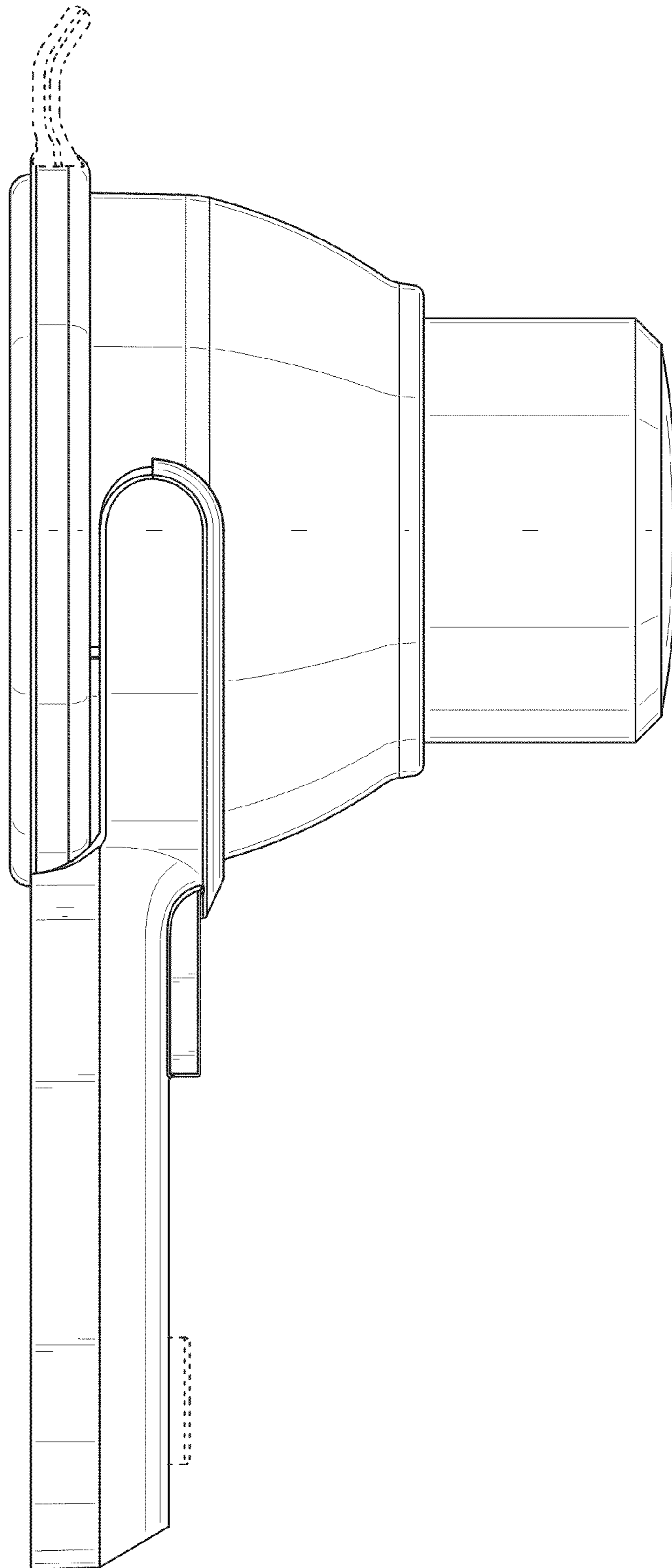


FIG. 5

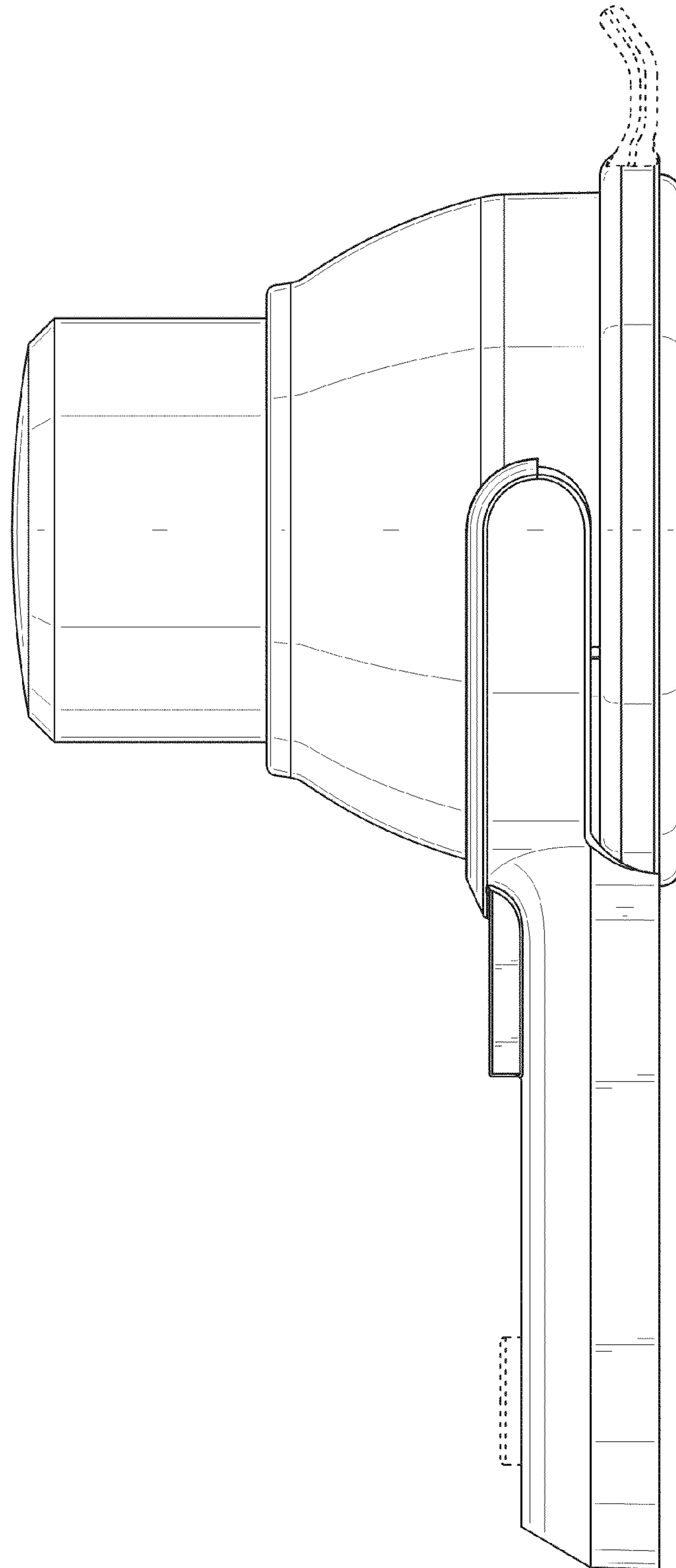


FIG. 6

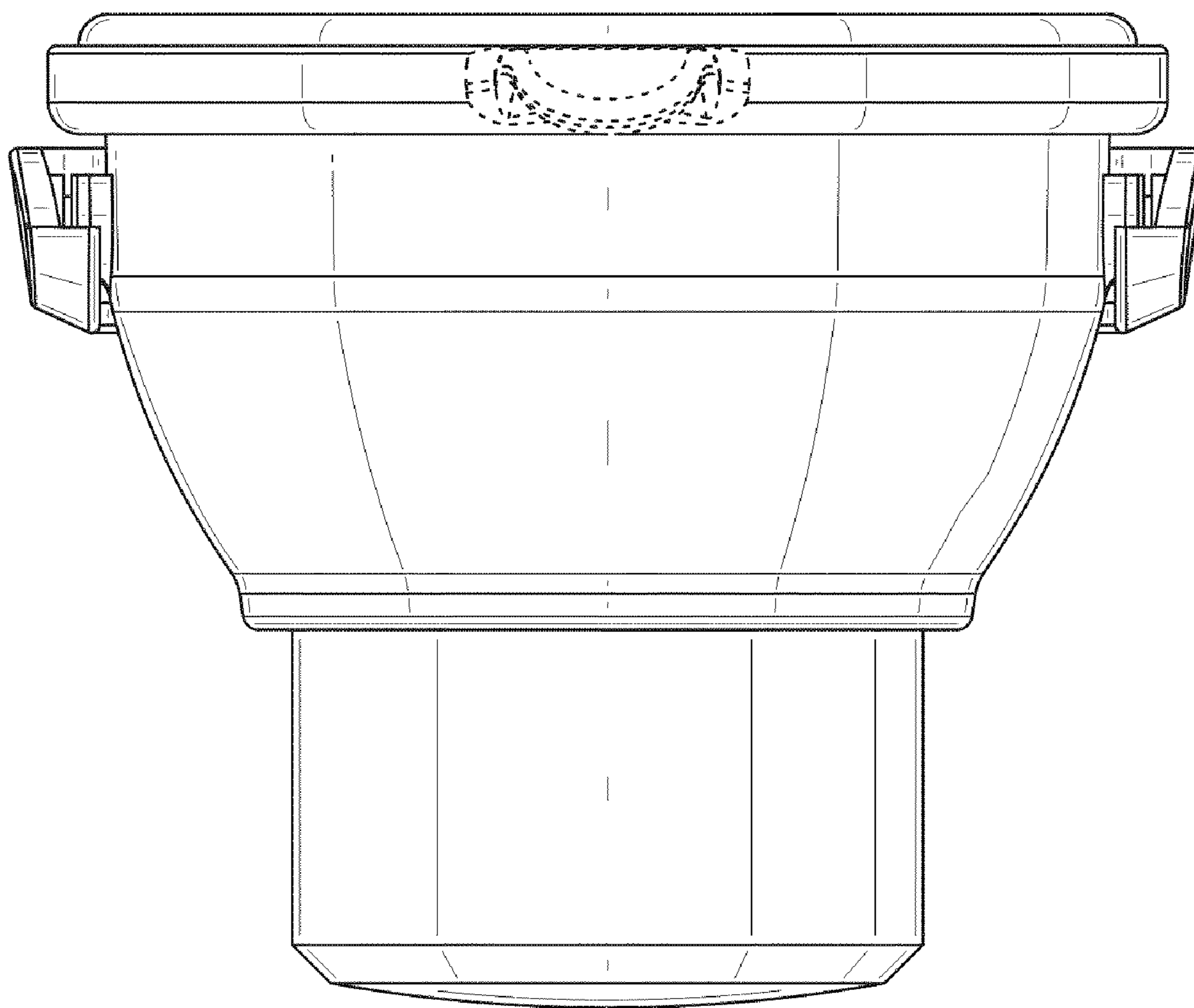


FIG. 7

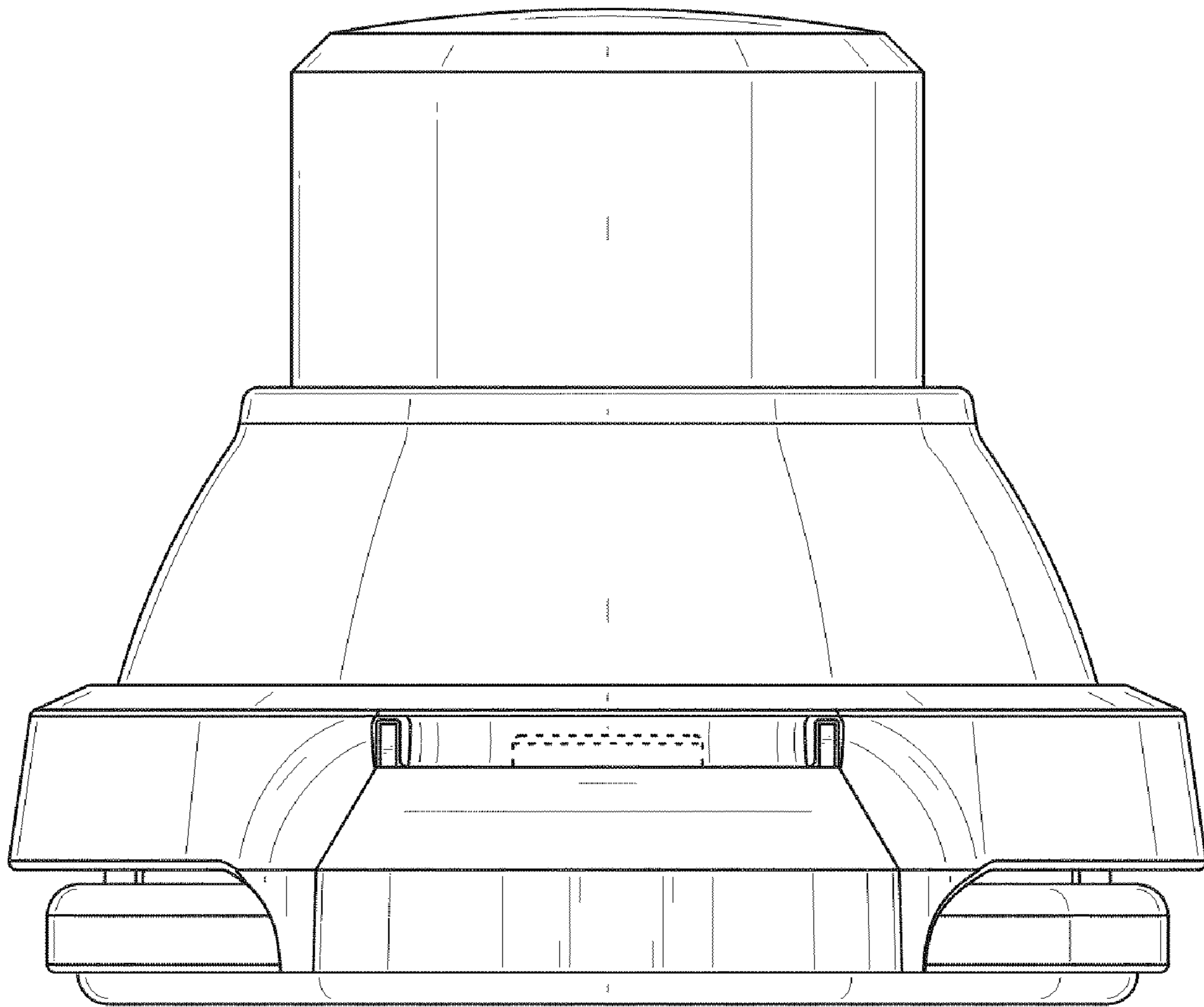


FIG. 8