



US00D646557S

(12) **United States Design Patent**
Chan

(10) **Patent No.:** **US D646,557 S**

(45) **Date of Patent:** **** Oct. 11, 2011**

(54) **HOOK**

(75) Inventor: **Man Chan**, Hong Kong (HK)

(73) Assignee: **Nifco (HK) Ltd.**, Tai Poi, N.T. (HK)

(**) Term: **14 Years**

(21) Appl. No.: **29/364,721**

(22) Filed: **Jun. 28, 2010**

(51) **LOC (9) Cl.** **08-05**

(52) **U.S. Cl.** **D8/367**

(58) **Field of Classification Search** D8/367,
D8/372, 373, 349, 354, 370; D6/500, 323,
D6/580; D20/43; 248/215, 339, 489; 16/87.2,
16/87.8

See application file for complete search history.

(56) **References Cited**

U.S. PATENT DOCUMENTS

D163,469	S	*	5/1951	Moody	D8/383
2,884,478	A	*	4/1959	Becker et al.	174/94 R
D189,487	S	*	12/1960	Gale	D8/367
D249,765	S	*	10/1978	Wilson	D6/556
D402,536	S	*	12/1998	Cousins	D8/354

D497,255	S	*	10/2004	Scola	D3/328
D614,995	S	*	5/2010	Pontaoe	D11/212
D616,286	S	*	5/2010	Foresman	D8/354
D618,537	S	*	6/2010	Panzer et al.	D8/367

* cited by examiner

Primary Examiner — Cynthia Underwood

(74) *Attorney, Agent, or Firm* — Foley & Lardner LLP

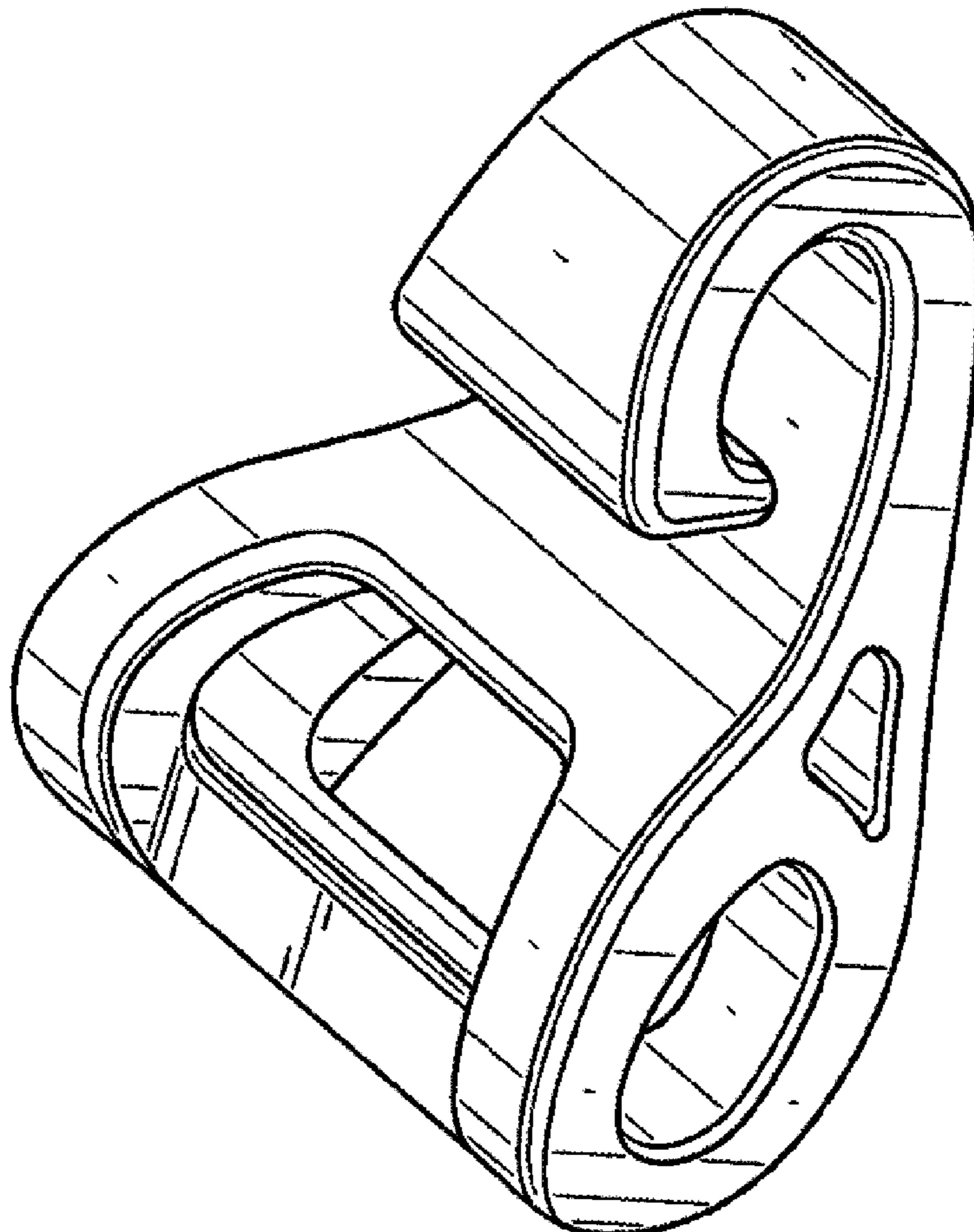
(57) **CLAIM**

I claim the ornamental design for a hook, as shown and described.

DESCRIPTION

FIG. 1 is a front top perspective view of a hook according to my new design;
FIG. 2 is a rear perspective view of the hook shown in FIG. 1;
FIG. 3 is a front view of the hook shown in FIG. 1;
FIG. 4 is a rear view of the hook shown in FIG. 1;
FIG. 5 is a left side view of the hook shown in FIG. 1;
FIG. 6 is a right side view of the hook shown in FIG. 1;
FIG. 7 is a top view of the hook shown in FIG. 1; and,
FIG. 8 is a bottom view of the hook shown in FIG. 1.
The ornamental design which is claimed is shown in solid lines in the drawings.

1 Claim, 4 Drawing Sheets



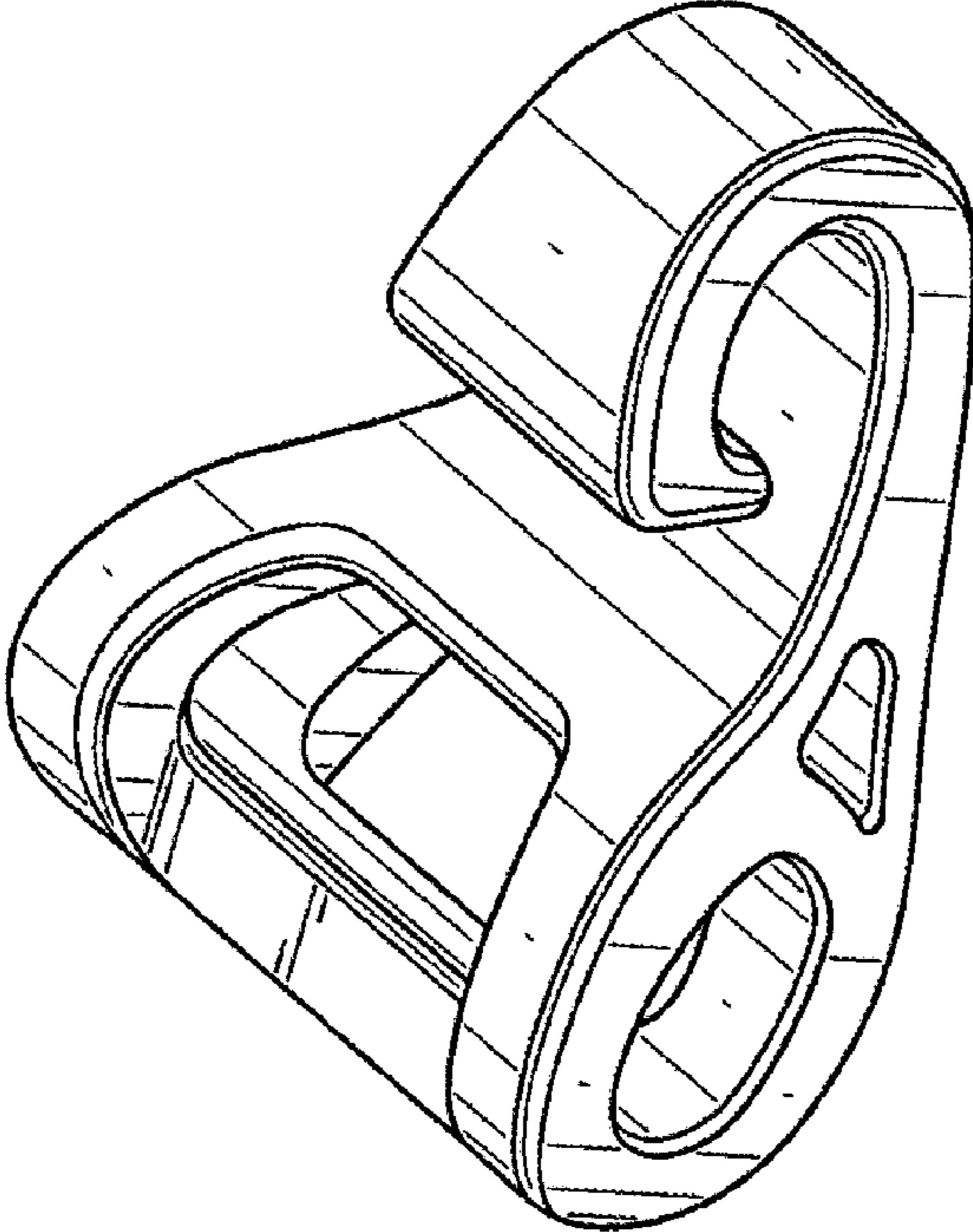


FIG. 1

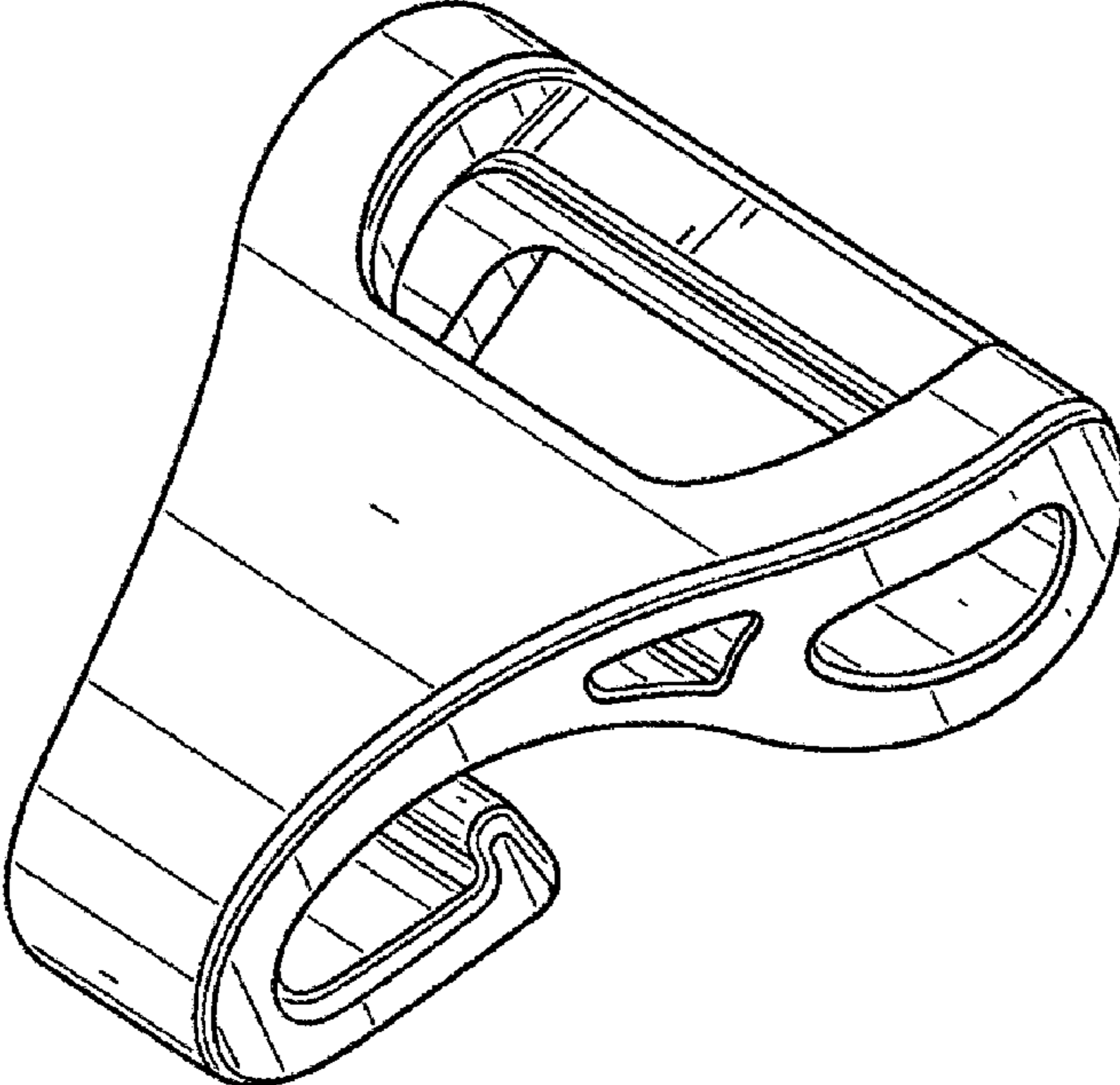


FIG. 2

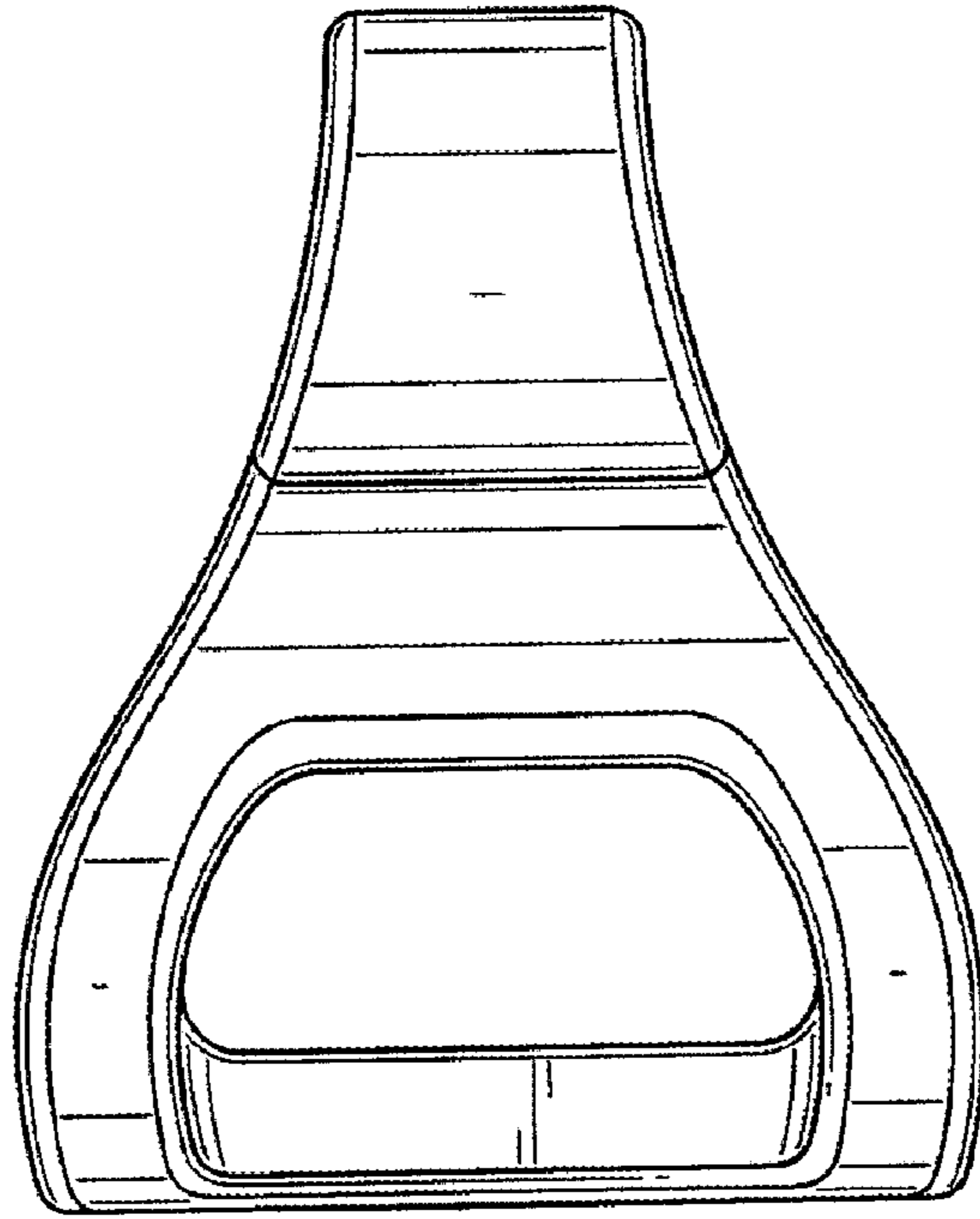


FIG. 3

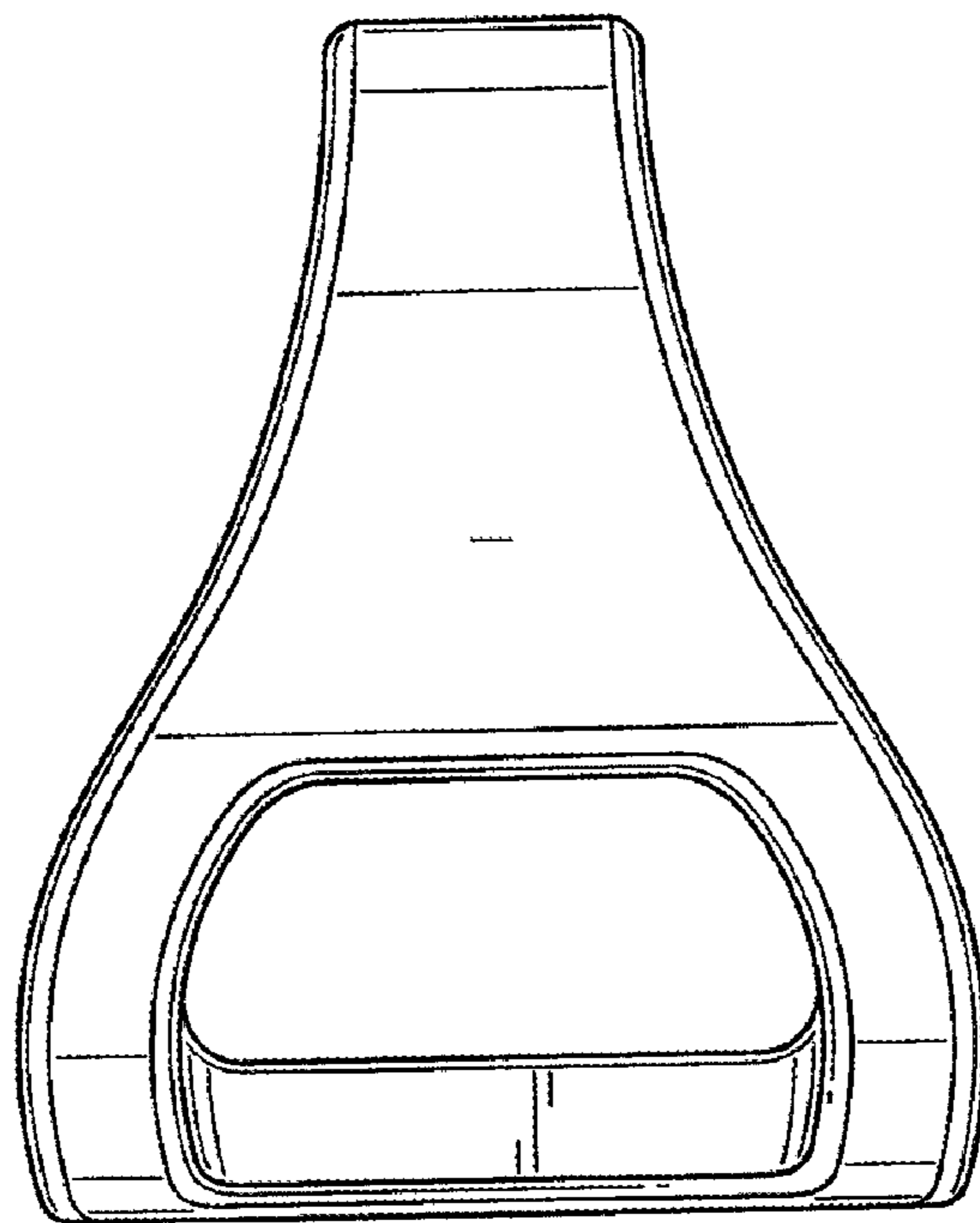


FIG. 4

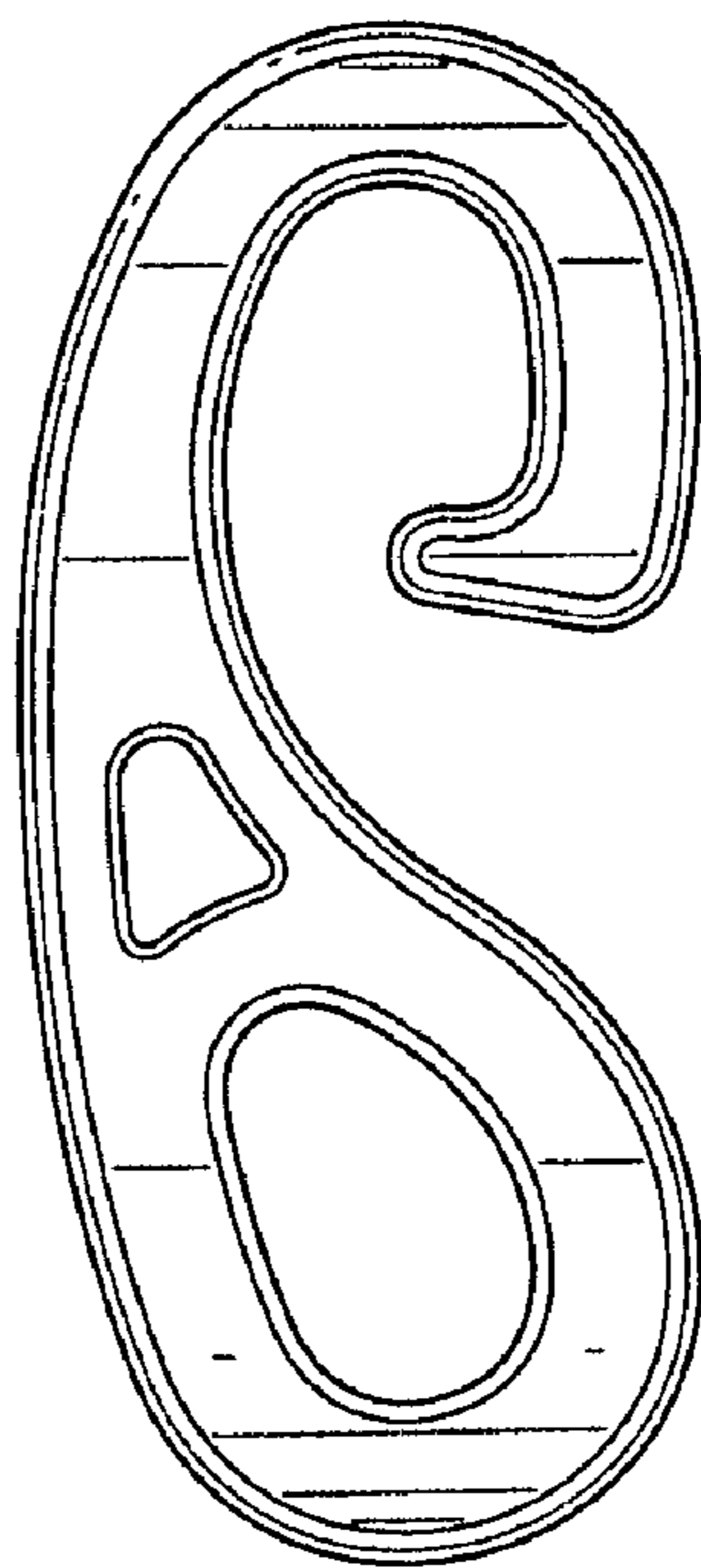


FIG. 5

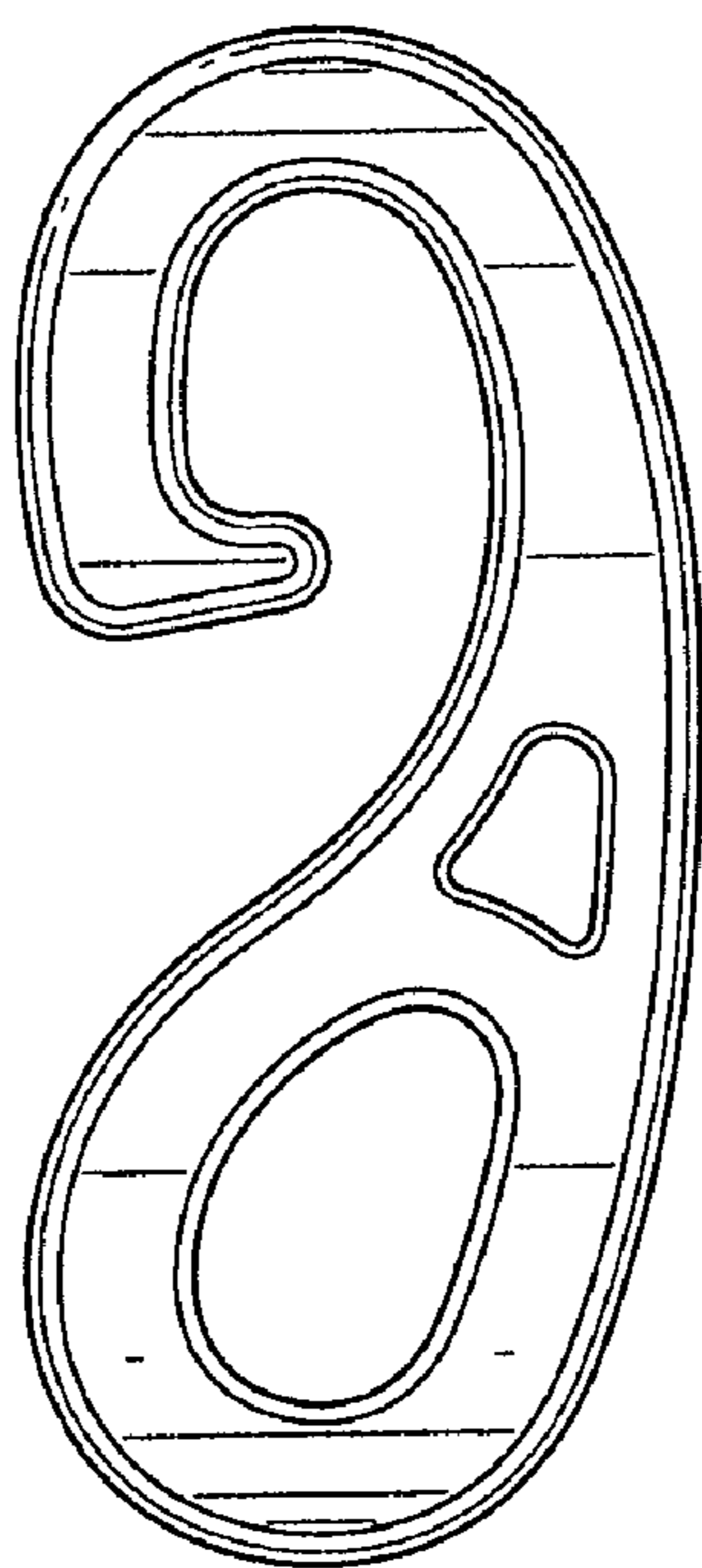


FIG. 6

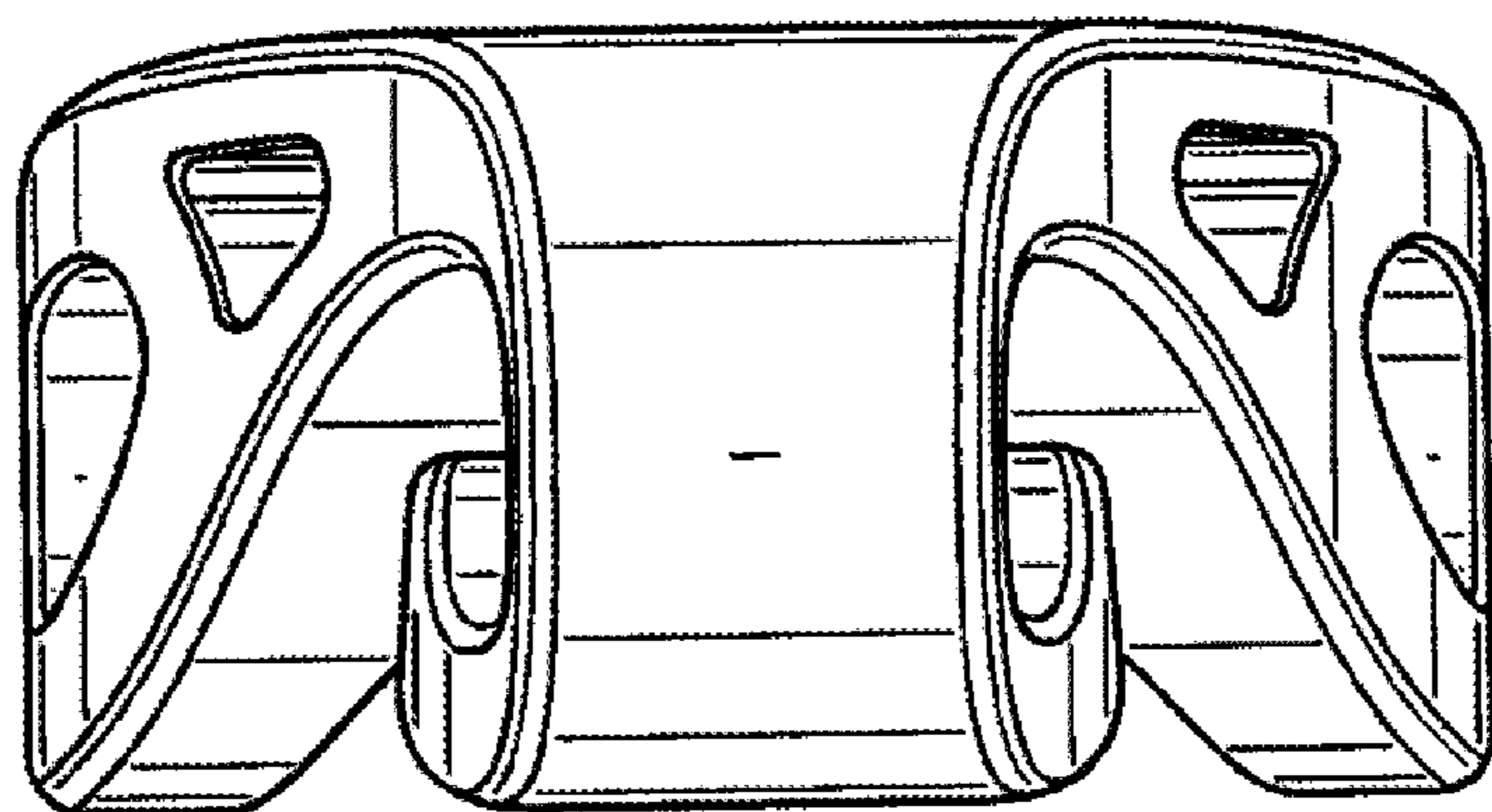


FIG. 7

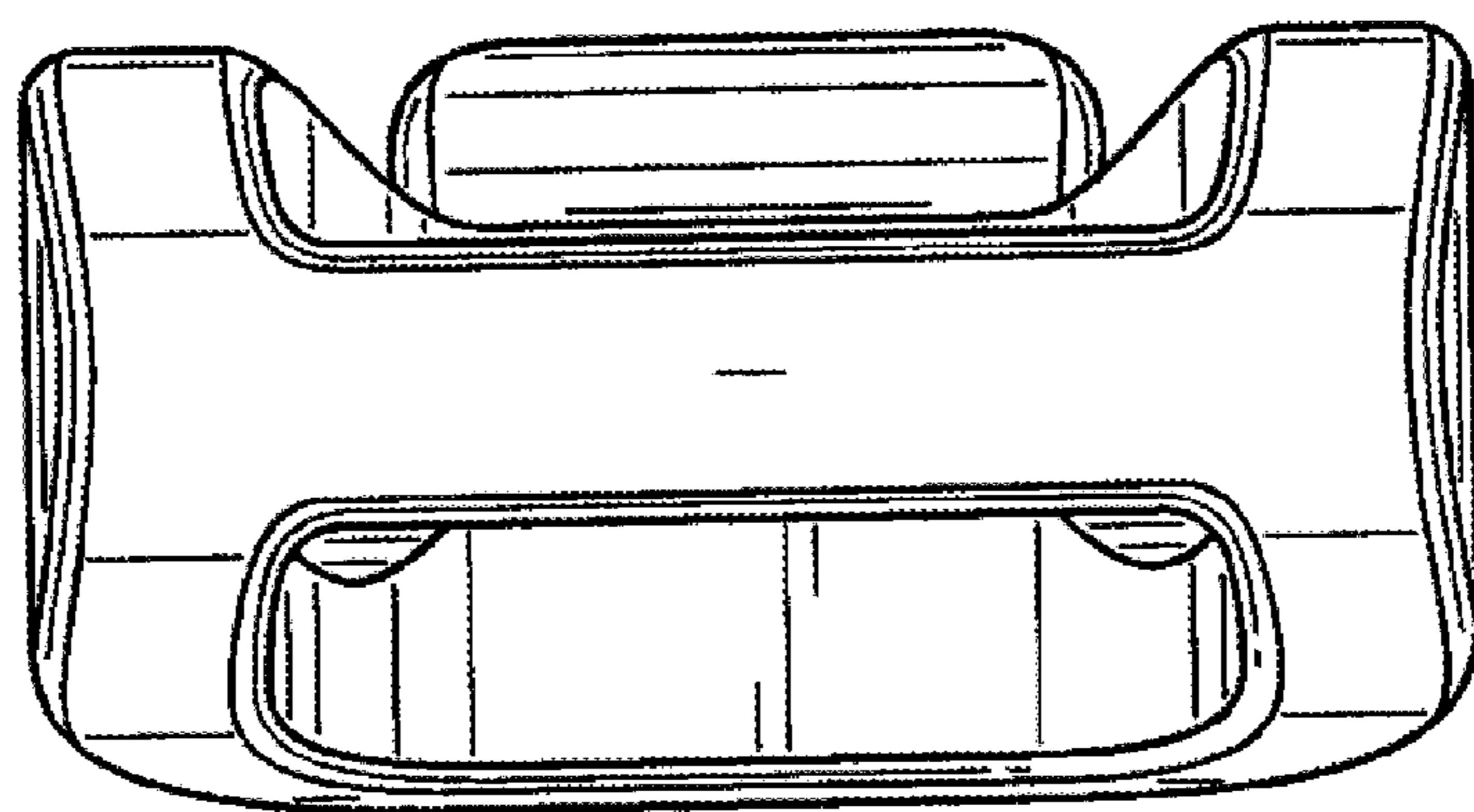


FIG. 8