



US00D646556S

(12) **United States Design Patent**
Kelleghan

(10) **Patent No.:** **US D646,556 S**

(45) **Date of Patent:** **** Oct. 11, 2011**

(54) **DOUBLE CARABINER**

(75) Inventor: **Brian James Kelleghan**, Longmont, CO
(US)

(73) Assignee: **Bison Designs, LLC**, Longmont, CO
(US)

(**) Term: **14 Years**

(21) Appl. No.: **29/381,793**

(22) Filed: **Dec. 22, 2010**

(51) **LOC (9) Cl.** **08-05**

(52) **U.S. Cl.** **D8/356**

(58) **Field of Classification Search** 24/592.11,
24/599.1, 588.1, 601.5, 601, 599.9, 598.1,
24/599.6, 452, 559.6, 129 R, 600.9; D8/356,
D8/354, 372, 367, 1, 382, 395; 63/8, 7, 12,
63/15, 1.14; D12/317; D6/323; 248/301-304,
248/175, 63; 70/59; 402/35; 114/218, 114;
294/137, 158, 82.19; 410/101; 182/3; D11/210;
D9/752; D19/32; D3/207

See application file for complete search history.

(56) **References Cited**

U.S. PATENT DOCUMENTS

25,082 A	8/1859	Pollak	
195,909 A	10/1877	Walker	
286,253 A	10/1883	Benson	
381,332 A	4/1888	Carmichael	
437,380 A *	9/1890	Lundborg	24/600.9
438,375 A	10/1890	Hubbard	
547,877 A	10/1895	Covert	
582,780 A	5/1897	Eldridge	
947,764 A	1/1910	Schartow	
976,636 A	11/1910	Coffman	
997,630 A	7/1911	Lozenski	
1,060,736 A	5/1913	Bayer	
1,165,606 A	12/1915	King	
1,252,184 A	1/1918	Schreyer	
1,449,978 A	3/1923	Fordyce	
1,605,853 A	11/1926	Bannon	

1,650,802 A	11/1927	McLoughlin	
1,708,911 A	4/1929	Szymanski	
1,709,235 A	4/1929	Shaffer	
D244,910 S *	7/1977	Chasen et al.	D8/367

(Continued)

FOREIGN PATENT DOCUMENTS

DE	3636494	4/1988
----	---------	--------

(Continued)

Primary Examiner — Cynthia Underwood

(74) *Attorney, Agent, or Firm* — Margaret Polson Oppedahl
Patent Law Firm LLC

(57) **CLAIM**

The ornamental design for a double carabiner, as shown and described.

DESCRIPTION

FIG. 1 is a front side elevation view of my new design for a double sided carabiner, with the portions shown in broken lines included for illustrative purposes only and forming no part of the claimed design.

FIG. 2 is a back side elevation view of FIG. 1.

FIG. 3 is a right side elevation view of FIG. 1.

FIG. 4 is a left side elevation view of FIG. 1.

FIG. 5 is a top plan view of FIG. 1.

FIG. 6 is a bottom plan view of FIG. 1.

FIG. 7 is a front perspective view of FIG. 1.

FIG. 8 is a front side elevation view of an alternate embodiment of my new design for a double sided carabiner, with the portions shown in broken lines included for illustrative purposes only and forming no part of the claimed design.

FIG. 9 is a back side elevation view of FIG. 8.

FIG. 10 is a right side elevation view of FIG. 8.

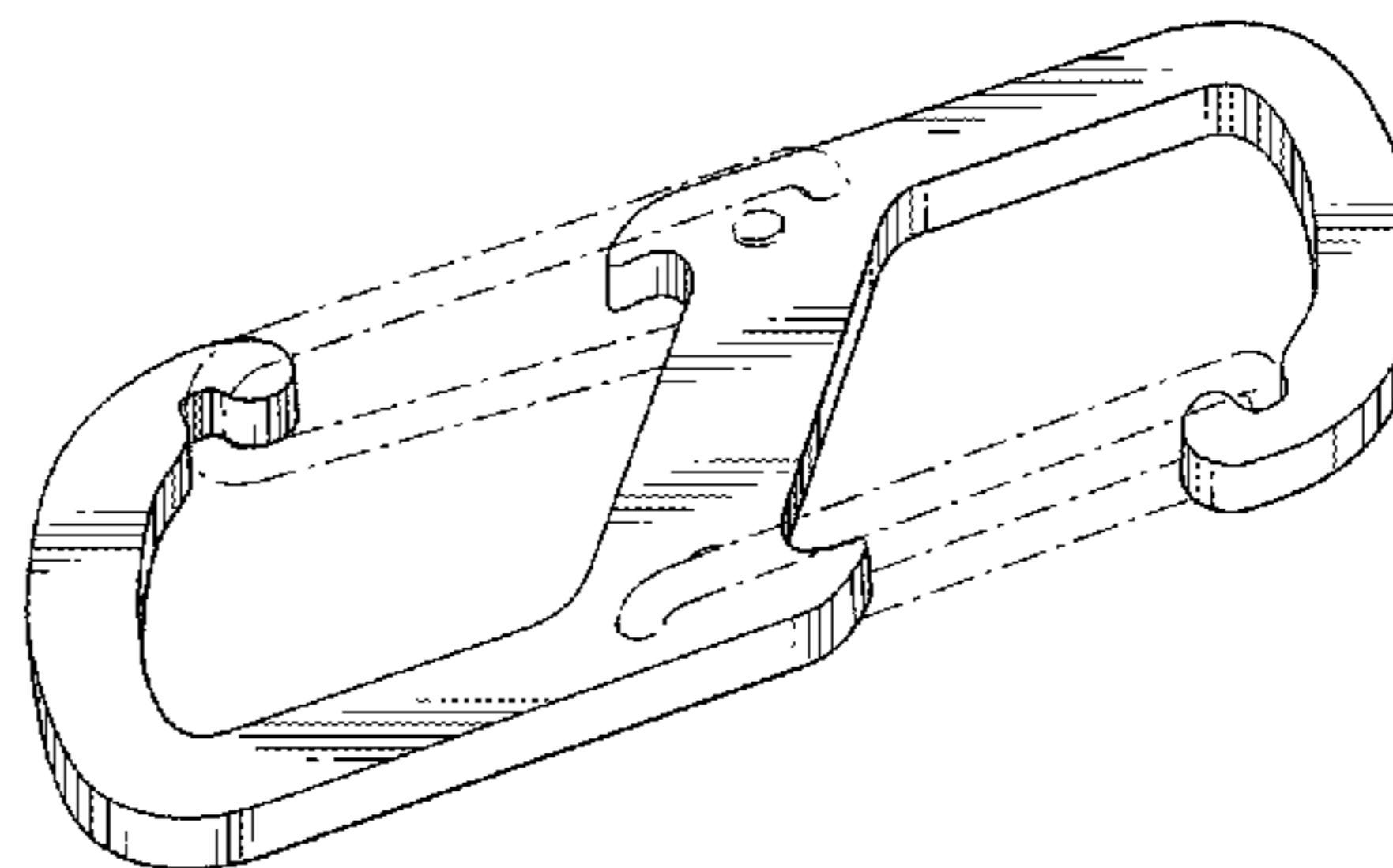
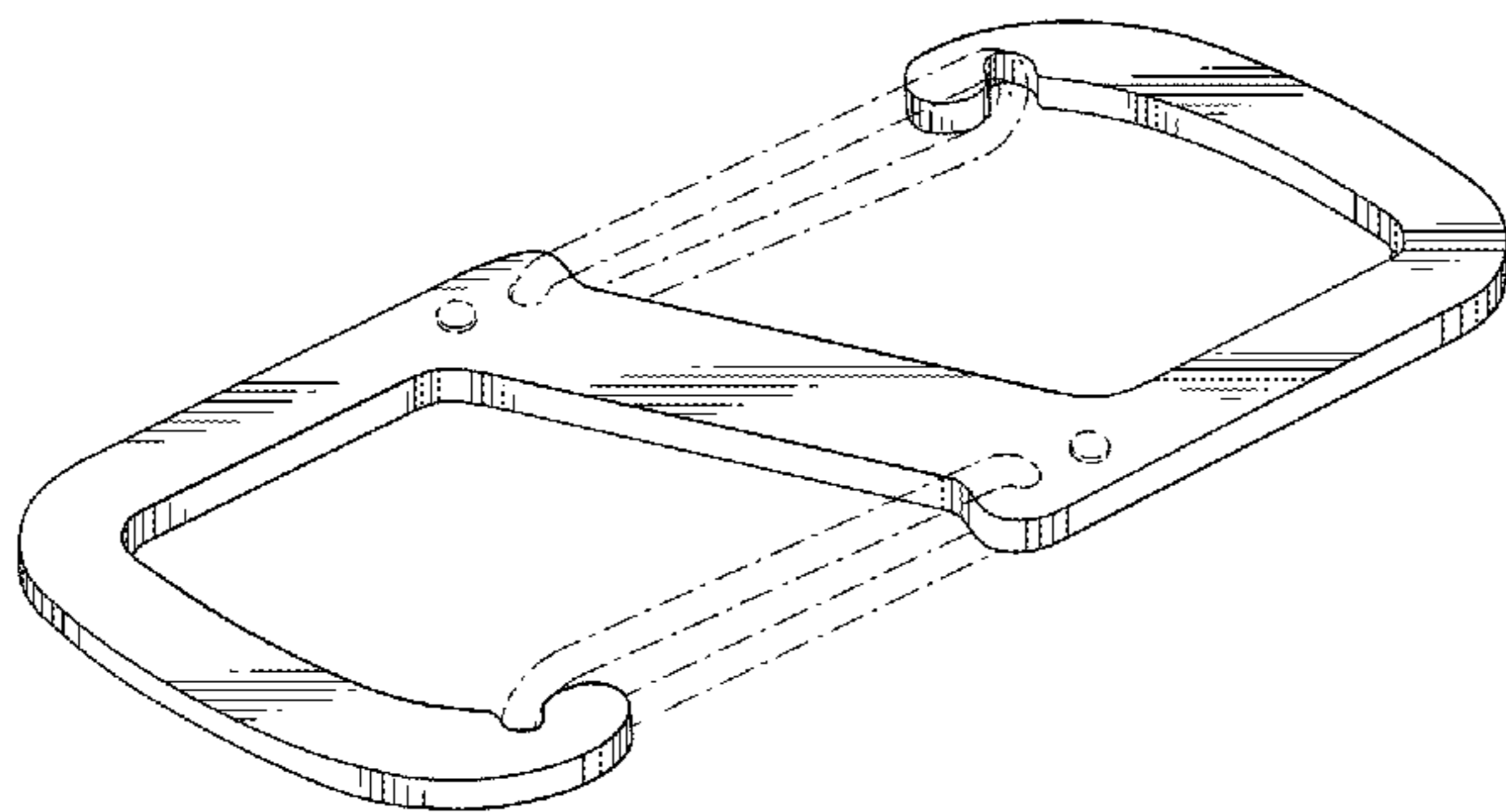
FIG. 11 is a left side elevation view of FIG. 8.

FIG. 12 is a top plan view of FIG. 8.

FIG. 13 is bottom plan view of FIG. 8; and,

FIG. 14 is a front perspective view of FIG. 8.

1 Claim, 2 Drawing Sheets



US D646,556 S

Page 2

U.S. PATENT DOCUMENTS

D271,466 S * 11/1983 Boissonnet D8/367
D292,385 S 10/1987 Udelhofen
5,940,943 A 8/1999 Kloster
D457,304 S 5/2002 Yuen
D462,891 S 9/2002 Kelleghan
D466,791 S * 12/2002 Kelleghan D8/356
D468,997 S * 1/2003 Chang D8/356
D486,725 S 2/2004 Andre
D488,371 S 4/2004 Shaljian
D492,188 S 6/2004 Goldberg
D493,092 S * 7/2004 Kalat D8/367
D528,238 S 9/2006 Kramer

7,214,171 B2 * 5/2007 Thelen et al. 482/124
D577,574 S 9/2008 Liang
D594,738 S 6/2009 Kelleghan
D607,712 S 1/2010 Kelleghan
D612,710 S * 3/2010 Kelleghan D8/356
D626,393 S * 11/2010 Ormsbee D8/34
D637,473 S * 5/2011 Mitchell D8/336
2009/0000086 A1 * 1/2009 Bing 24/592.11

FOREIGN PATENT DOCUMENTS

FR 2847481 5/2004

* cited by examiner



FIG. 5

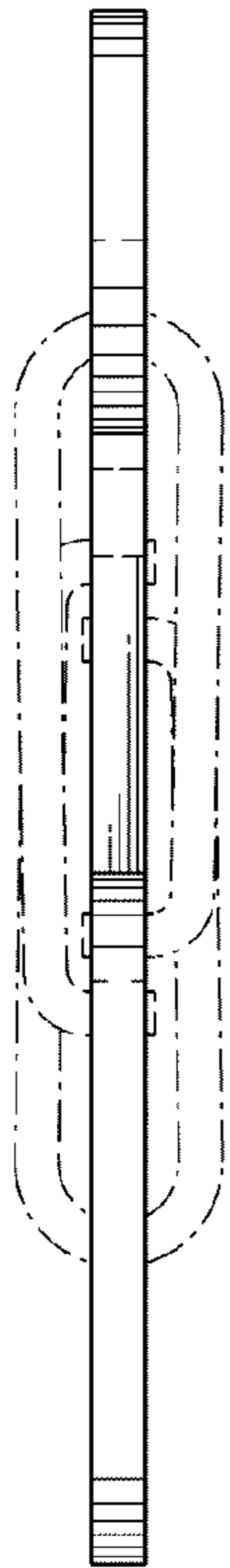


FIG. 4

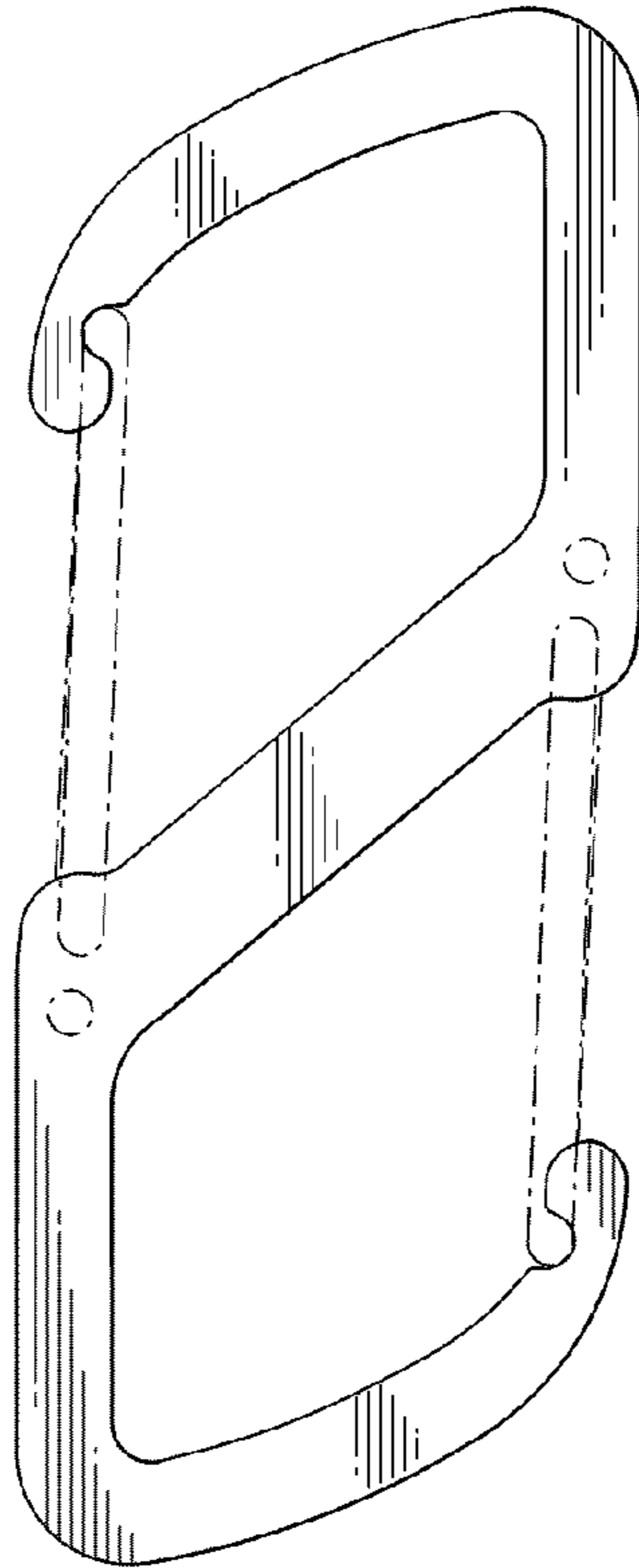


FIG. 1

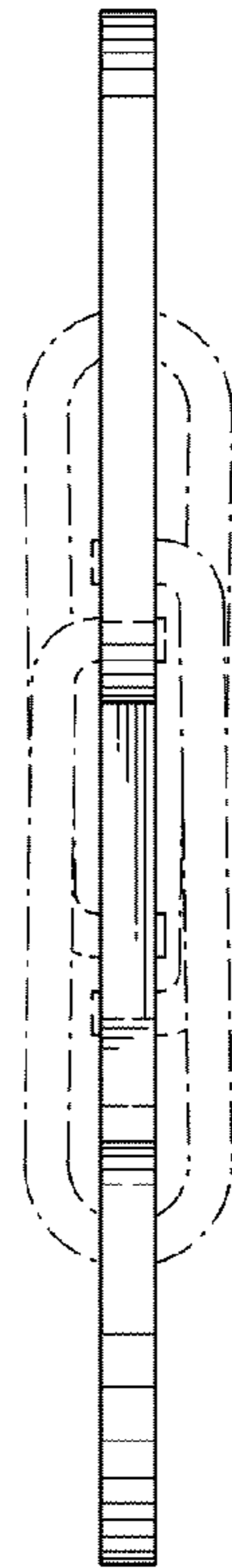


FIG. 3

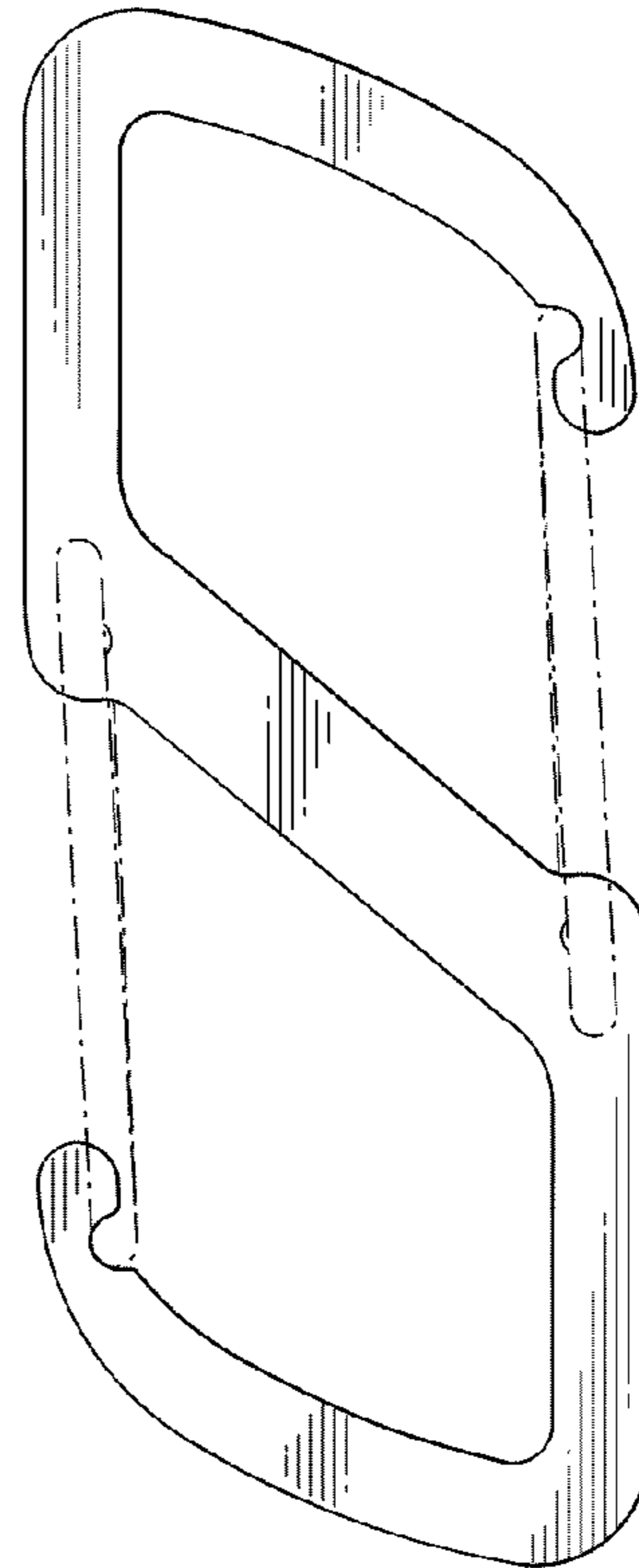


FIG. 2

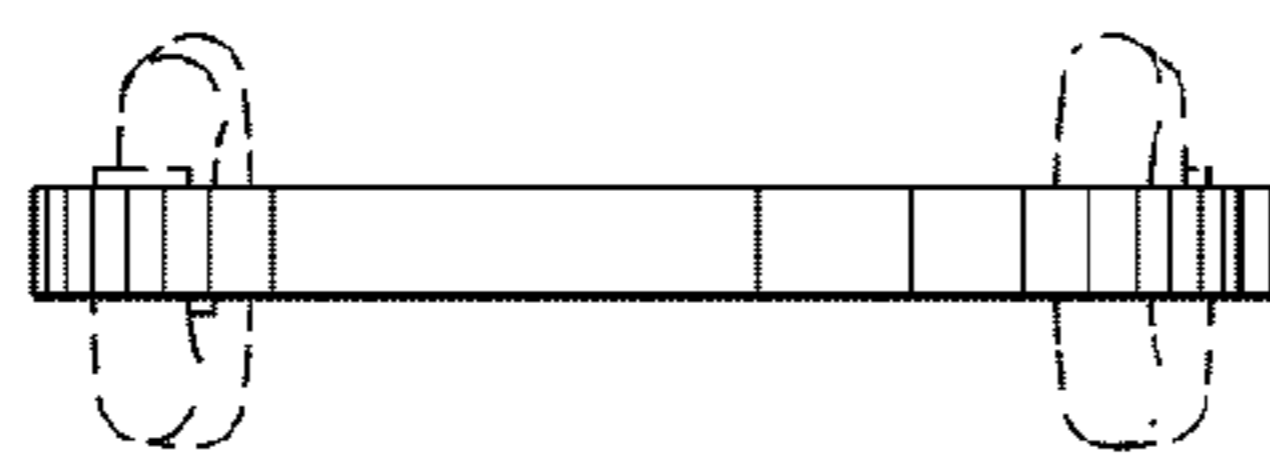


FIG. 6

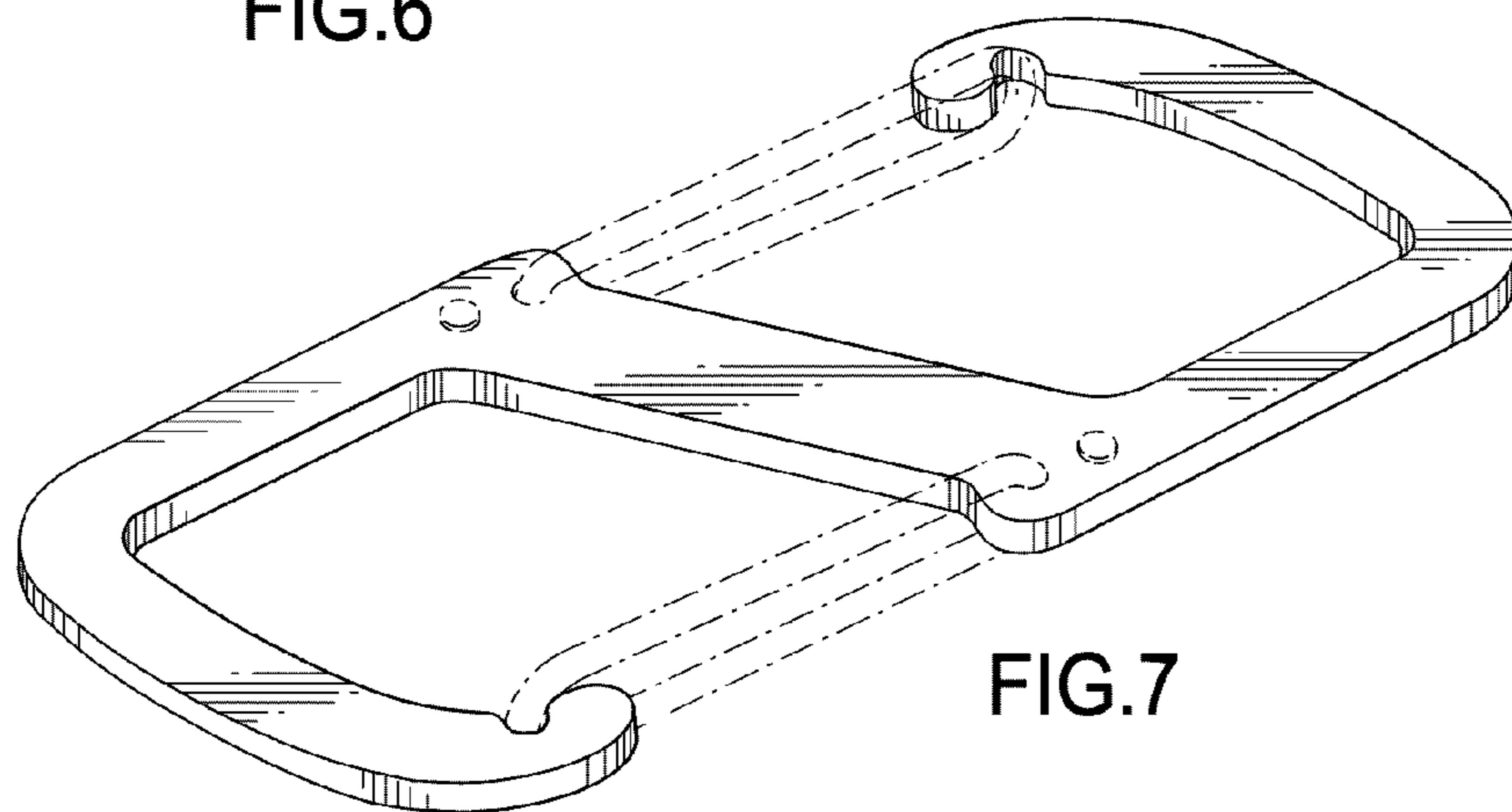


FIG. 7

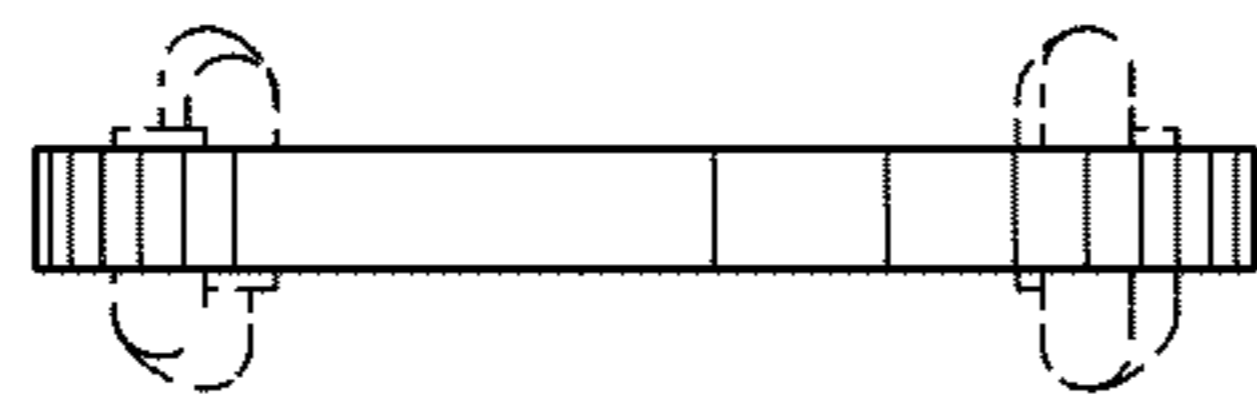


FIG.12

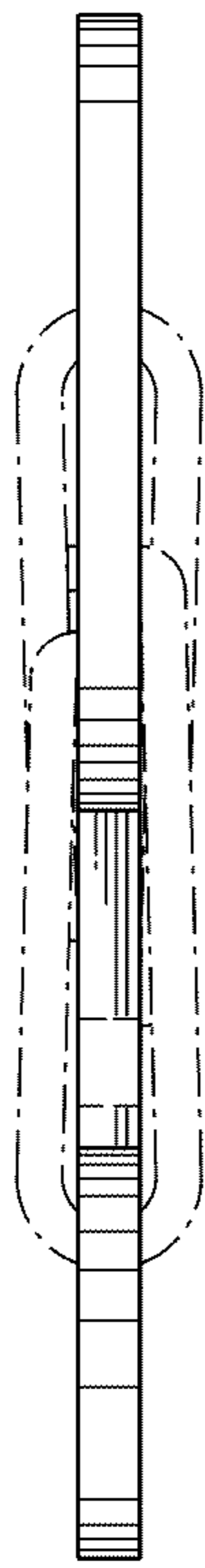


FIG.11

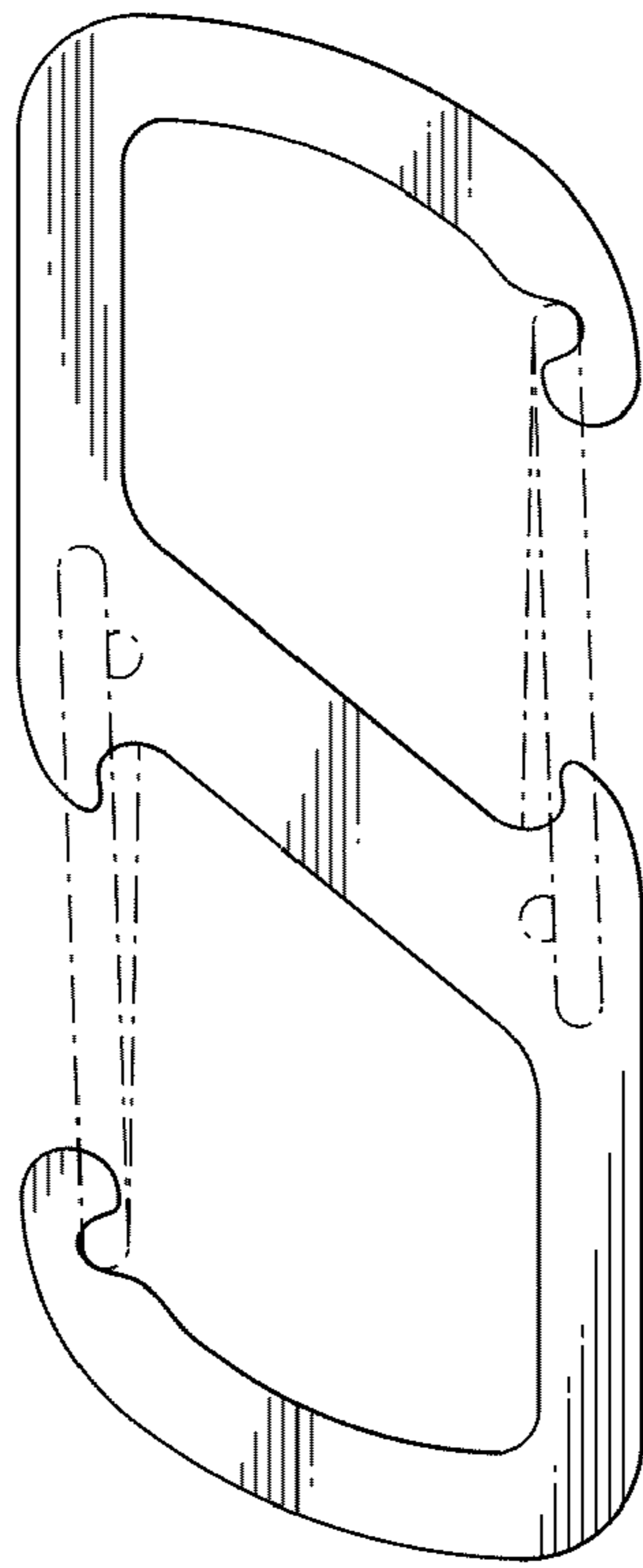


FIG.8

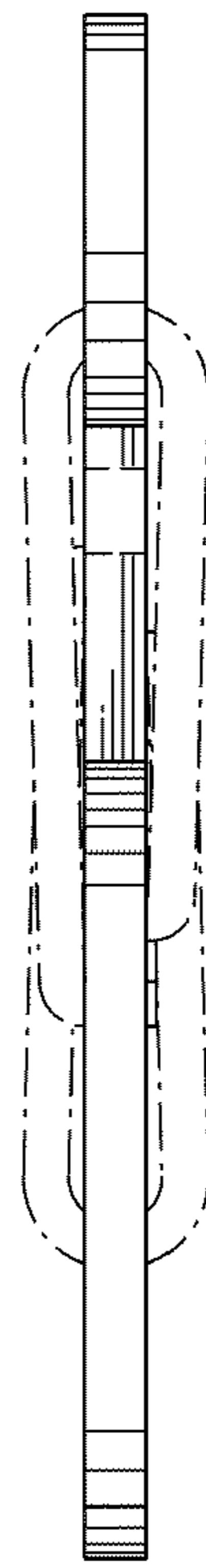


FIG.10

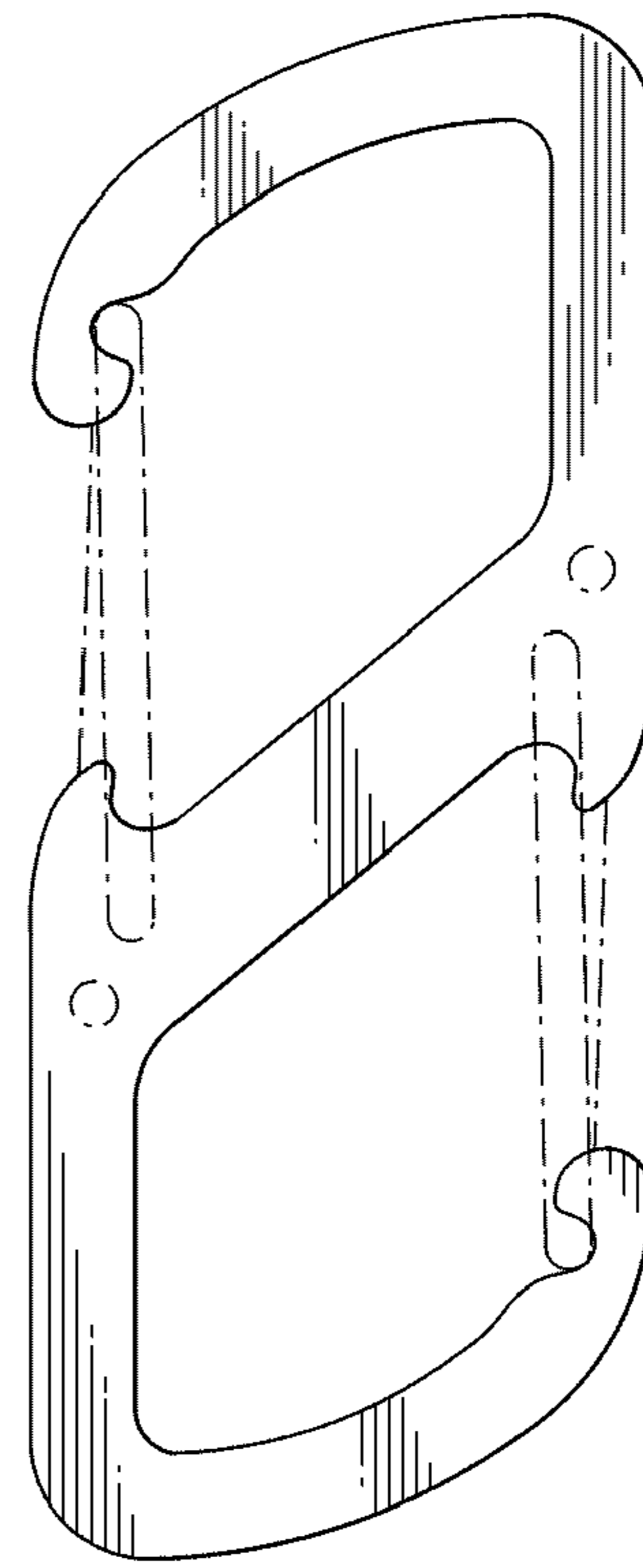


FIG.9

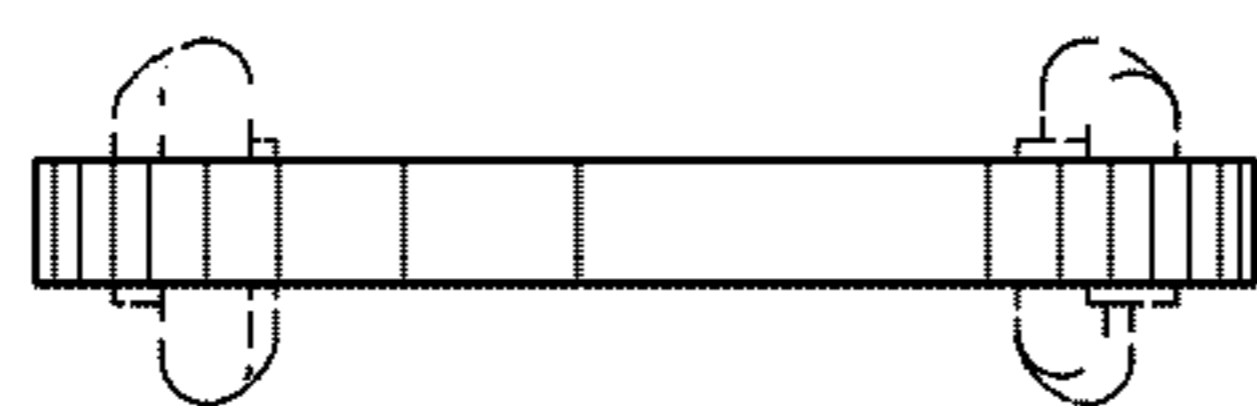


FIG.13

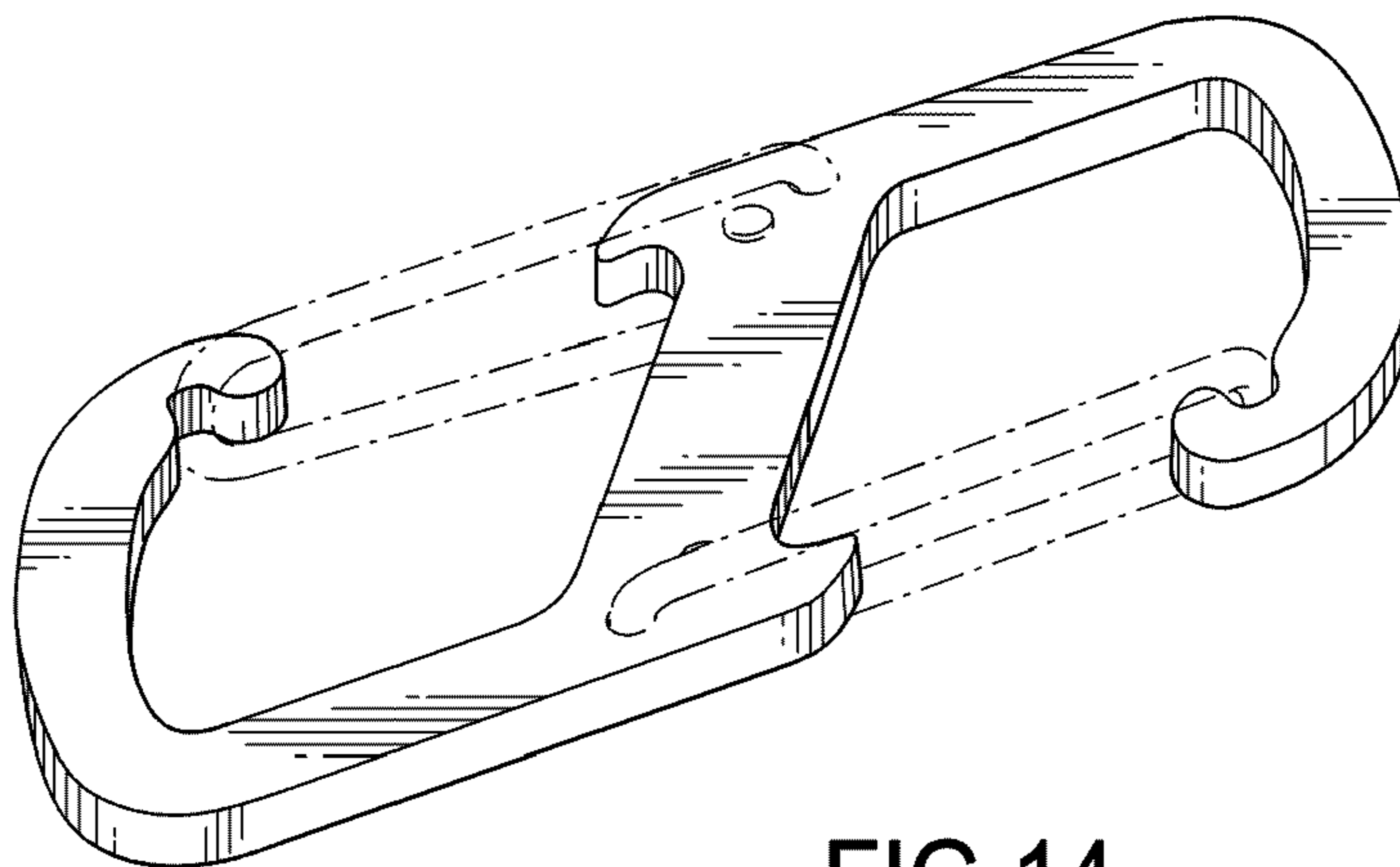


FIG.14