



US00D646555S

(12) **United States Design Patent**
Galle

(10) **Patent No.:** **US D646,555 S**
(45) **Date of Patent:** **** Oct. 11, 2011**

(54) **CAPILLARY MOUNTING CLIP**

- (75) Inventor: **Keith L. Galle**, Mount Prospect, IL (US)
- (73) Assignee: **Siemens Industry, Inc.**, Alpharetta, GA (US)
- (**) Term: **14 Years**
- (21) Appl. No.: **29/381,588**
- (22) Filed: **Dec. 21, 2010**

Related U.S. Application Data

- (63) Continuation-in-part of application No. 12/795,654, filed on Jun. 7, 2010.
- (51) **LOC (9) Cl.** **08-05**
- (52) **U.S. Cl.** **D8/356**
- (58) **Field of Classification Search** D8/394-395, D8/356; 248/68.1, 74.1-74.4
See application file for complete search history.

(56) **References Cited**

U.S. PATENT DOCUMENTS

- 4,163,372 A 8/1979 Frye
- D340,226 S * 10/1993 Sachs D13/154
- D502,388 S * 3/2005 Cortez et al. D8/356
- D564,343 S * 3/2008 Zakowski D8/363

OTHER PUBLICATIONS

“Averaging Thermistor Sensor ST-FZ Sieries”, kele Catalog, 2006, www.kele.com, USA.
 Klipet CC1 Series, http://www.klipet.com/CC1.php, 2005-2010.
 * cited by examiner

Primary Examiner — Holly Baynham

(57) **CLAIM**

The ornamental design for a capillary mounting clip, as shown and described.

DESCRIPTION

FIG. 1 illustrates a front top perspective view of an ornamental design for a capillary mounting clip;
 FIG. 2 illustrates a bottom rear perspective view of the ornamental capillary mounting clip shown design in FIG. 1;
 FIG. 3 illustrates front view of the ornamental capillary mounting clip design shown in FIG. 1; and,
 FIG. 4 illustrates rear view of the ornamental capillary mounting clip design shown in FIG. 1.
 The broken lines showing portions of the mounting clip, a portion of the capillary tube and openings are for the purposes of illustrating environmental structure and form no part of the claimed design.

1 Claim, 2 Drawing Sheets

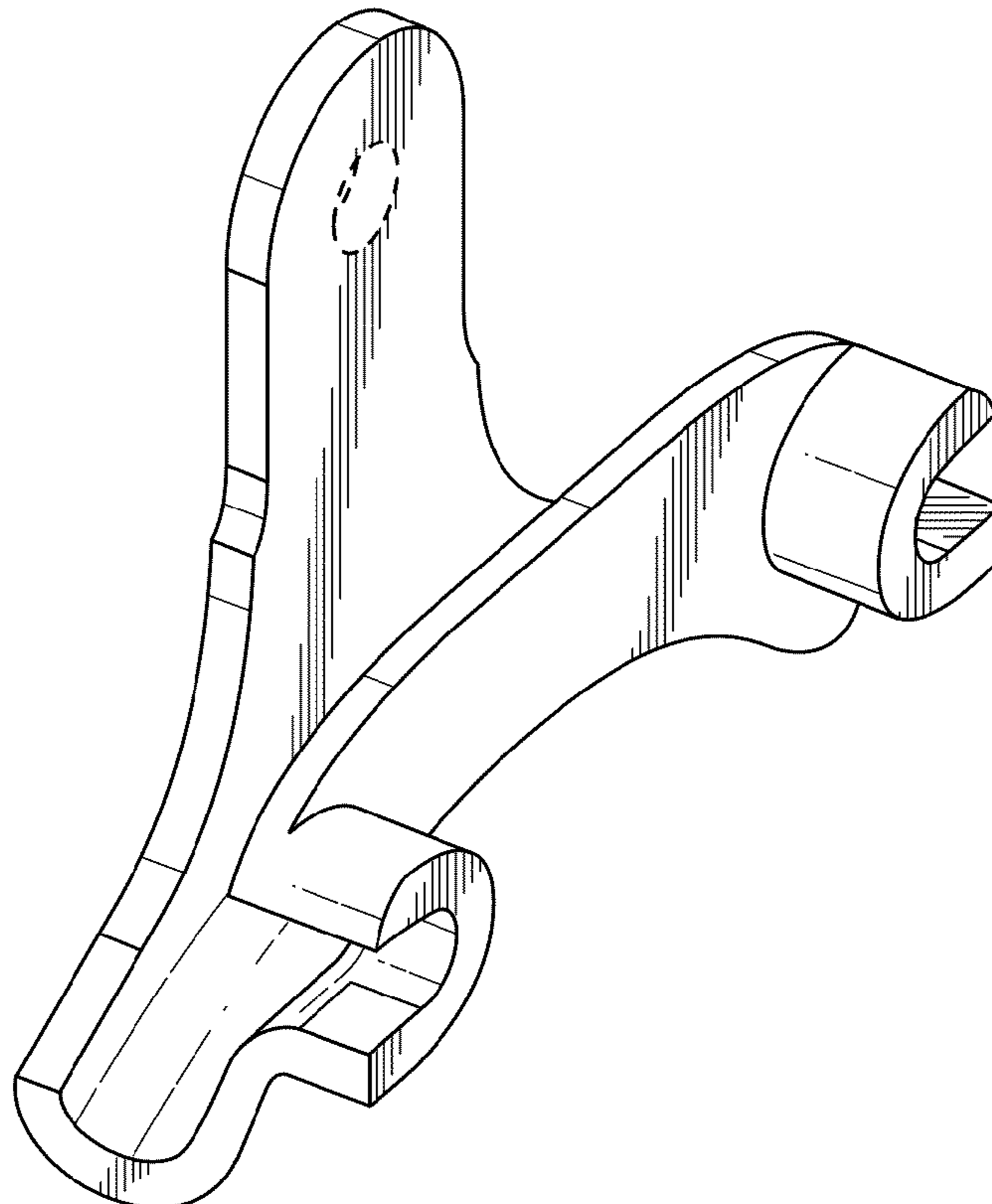


Fig. 1

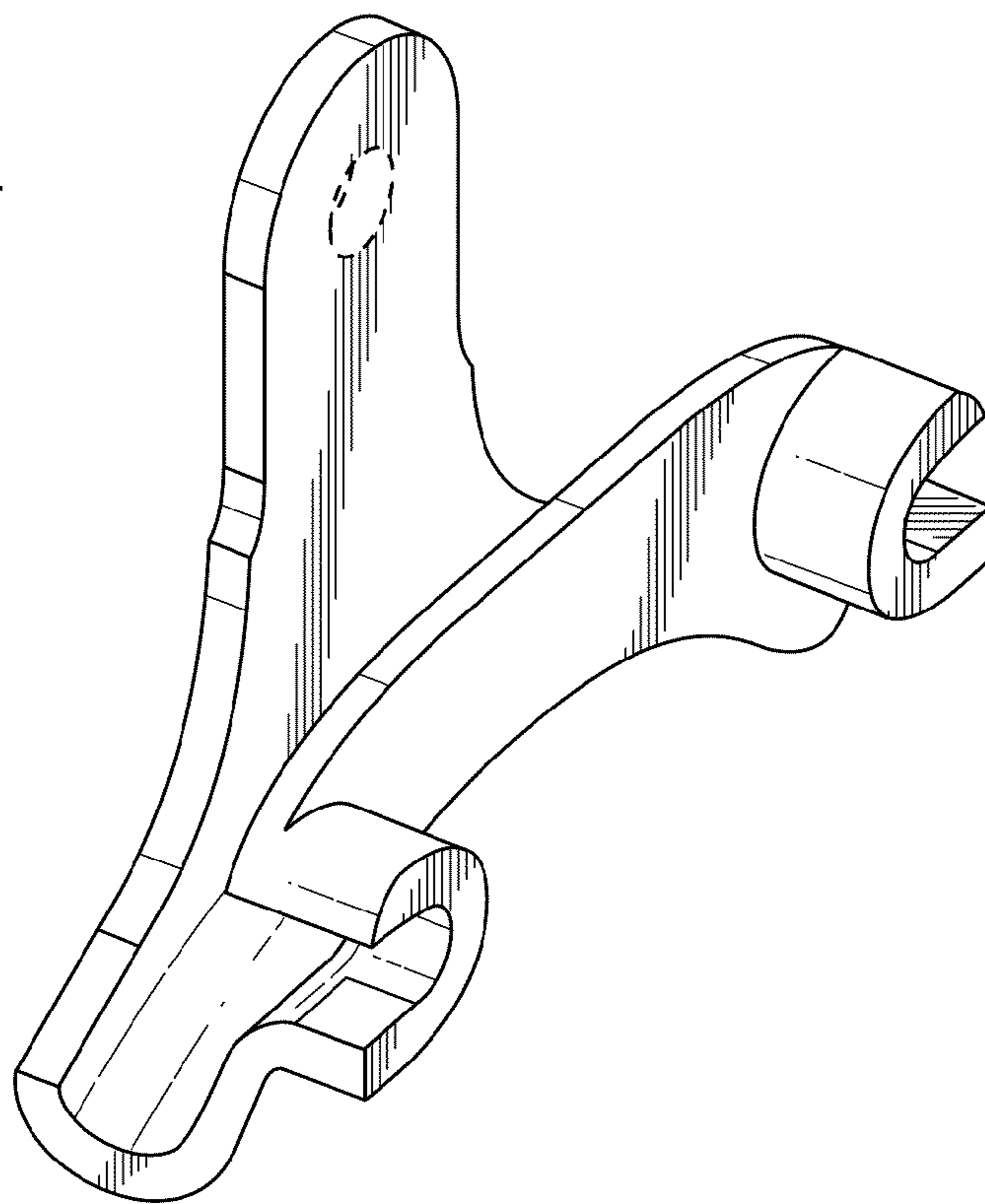


Fig. 2

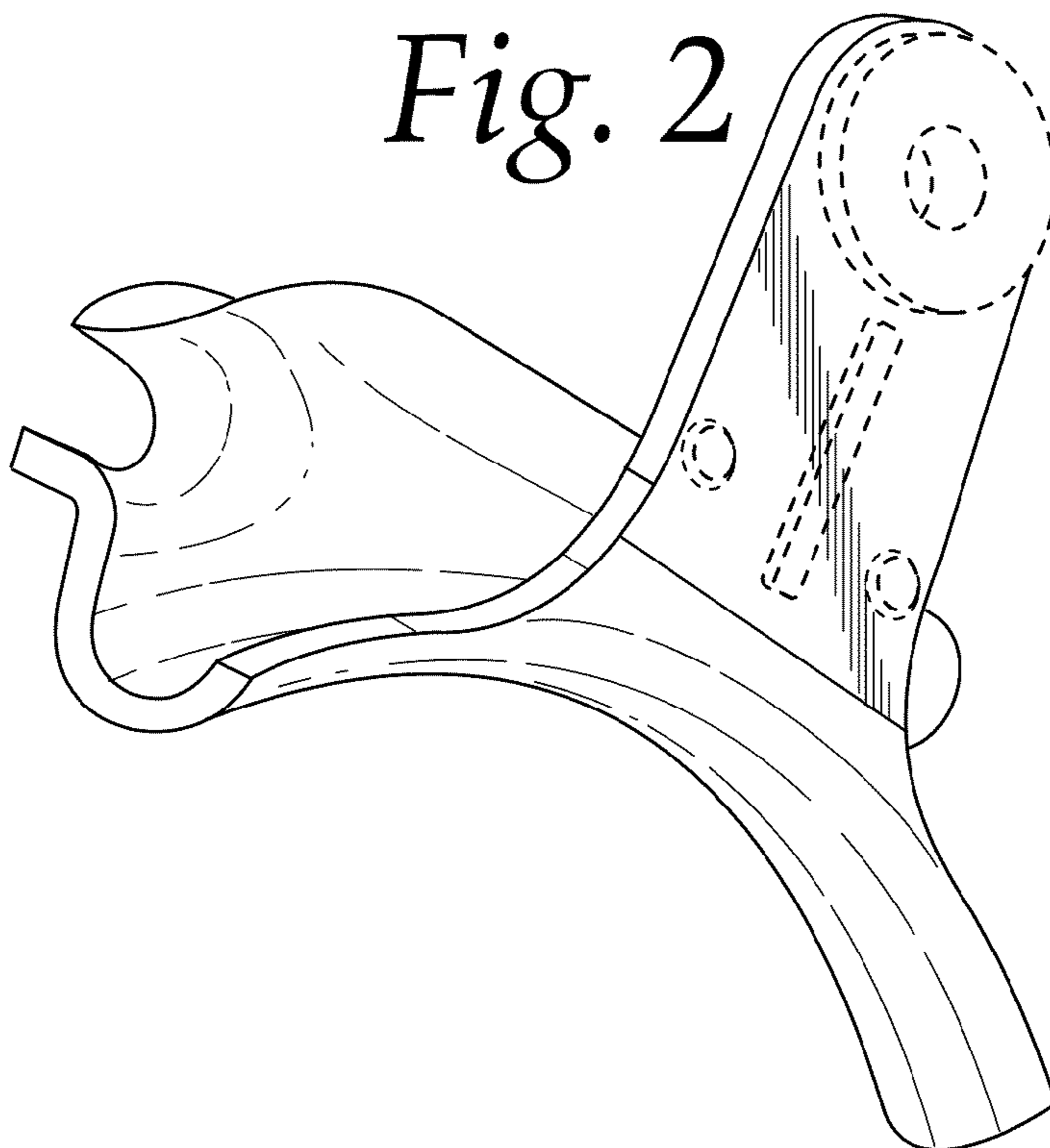


Fig. 3

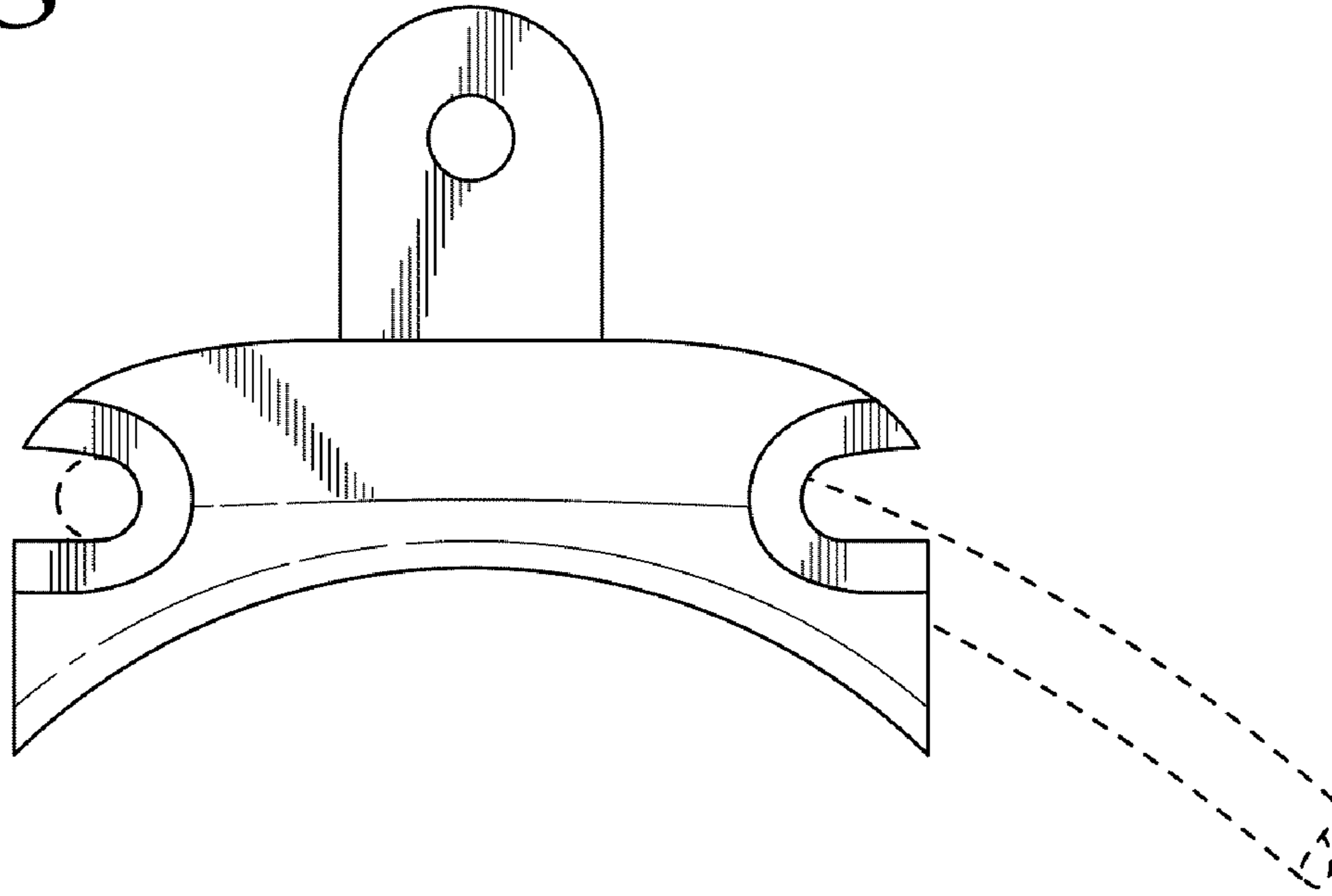


Fig. 4

