



US00D646553S

(12) **United States Design Patent**  
**Peng et al.**

(10) **Patent No.:** **US D646,553 S**  
(45) **Date of Patent:** **\*\* Oct. 11, 2011**

- (54) **ANCHORAGE CONNECTOR**
- (75) Inventors: **Simon Peng**, Wuxi (CN); **Jane Liu**, Wuxi (CN); **Richard Gregory Reynolds**, Suzhou (CN)
- (73) Assignee: **MSA (Suzhou) Safety Equipment R&D Co., Ltd.**, Jiangsu (CN)
- (\*\*) Term: **14 Years**
- (21) Appl. No.: **29/359,865**
- (22) Filed: **Apr. 16, 2010**
- (51) **LOC (9) Cl.** ..... **08-08**
- (52) **U.S. Cl.** ..... **D8/349**
- (58) **Field of Classification Search** ..... D8/373, D8/349, 354, 367, 380, 499; 248/496-497, 248/489, 475.1, 491, 237, 499, 240, 241, 248/247, 300, 505; 182/3, 45; 52/698, 703, 52/24, 27, 645, 712, DIG. 12; 16/386, 387, 16/223

See application file for complete search history.

(56) **References Cited**

**U.S. PATENT DOCUMENTS**

1,112,888	A *	10/1914	Burchess	16/387
4,455,711	A *	6/1984	Anderson	16/229
4,570,290	A *	2/1986	Anderson	16/229
D311,326	S *	10/1990	Nelson	D8/356
5,287,944	A *	2/1994	Woodyard	182/3

5,320,193	A *	6/1994	Bongiovanni et al.	182/3
5,730,407	A *	3/1998	Ostrobrod	248/237
5,850,889	A *	12/1998	Rexroad et al.	182/3
6,227,329	B1 *	5/2001	Ador	182/3
6,668,509	B1 *	12/2003	Krebs	52/698
6,786,020	B2 *	9/2004	Poldmaa	52/704
7,665,248	B2 *	2/2010	Blackford	52/27
7,854,421	B2 *	12/2010	Florent	248/317
2004/0050620	A1 *	3/2004	Luke et al.	182/45
2005/0205356	A1 *	9/2005	Velasco	182/3

**OTHER PUBLICATIONS**

Rose Manufacturing 1999 Product Catalog, Englewood, CO, p. 26, Part No. 416069, Roof Anchors.

\* cited by examiner

*Primary Examiner* — Mark Goodwin

(74) *Attorney, Agent, or Firm* — The Webb Law Firm

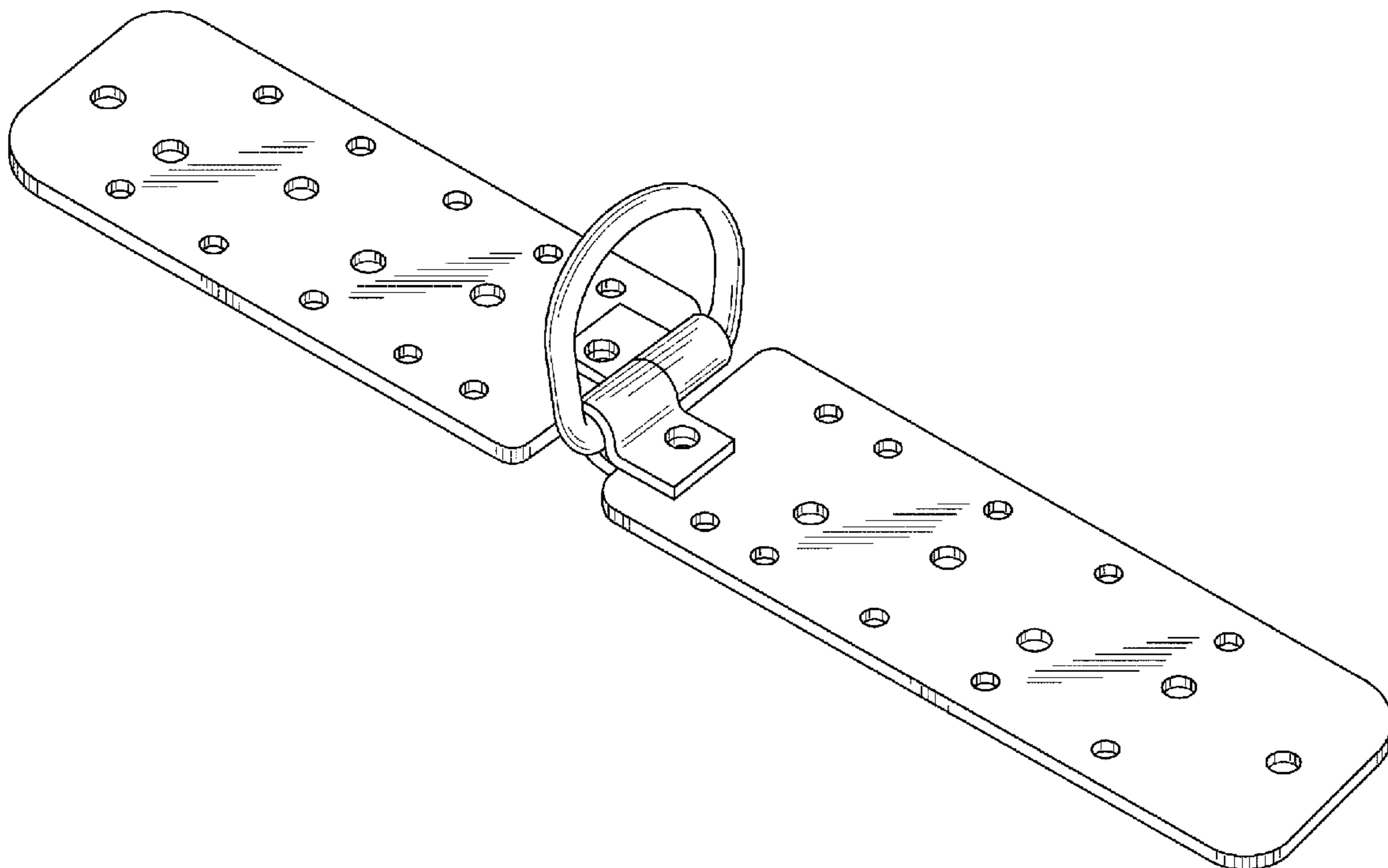
(57) **CLAIM**

The ornamental design for an anchorage connector, as shown and described.

**DESCRIPTION**

FIG. 1 is a perspective view of an anchorage connector showing our new design;  
 FIG. 2 is a front view thereof;  
 FIG. 3 is a rear view thereof;  
 FIG. 4 is a top view thereof;  
 FIG. 5 is a bottom view thereof;  
 FIG. 6 left side view thereof; and,  
 FIG. 7 is a right side view thereof.

**1 Claim, 5 Drawing Sheets**



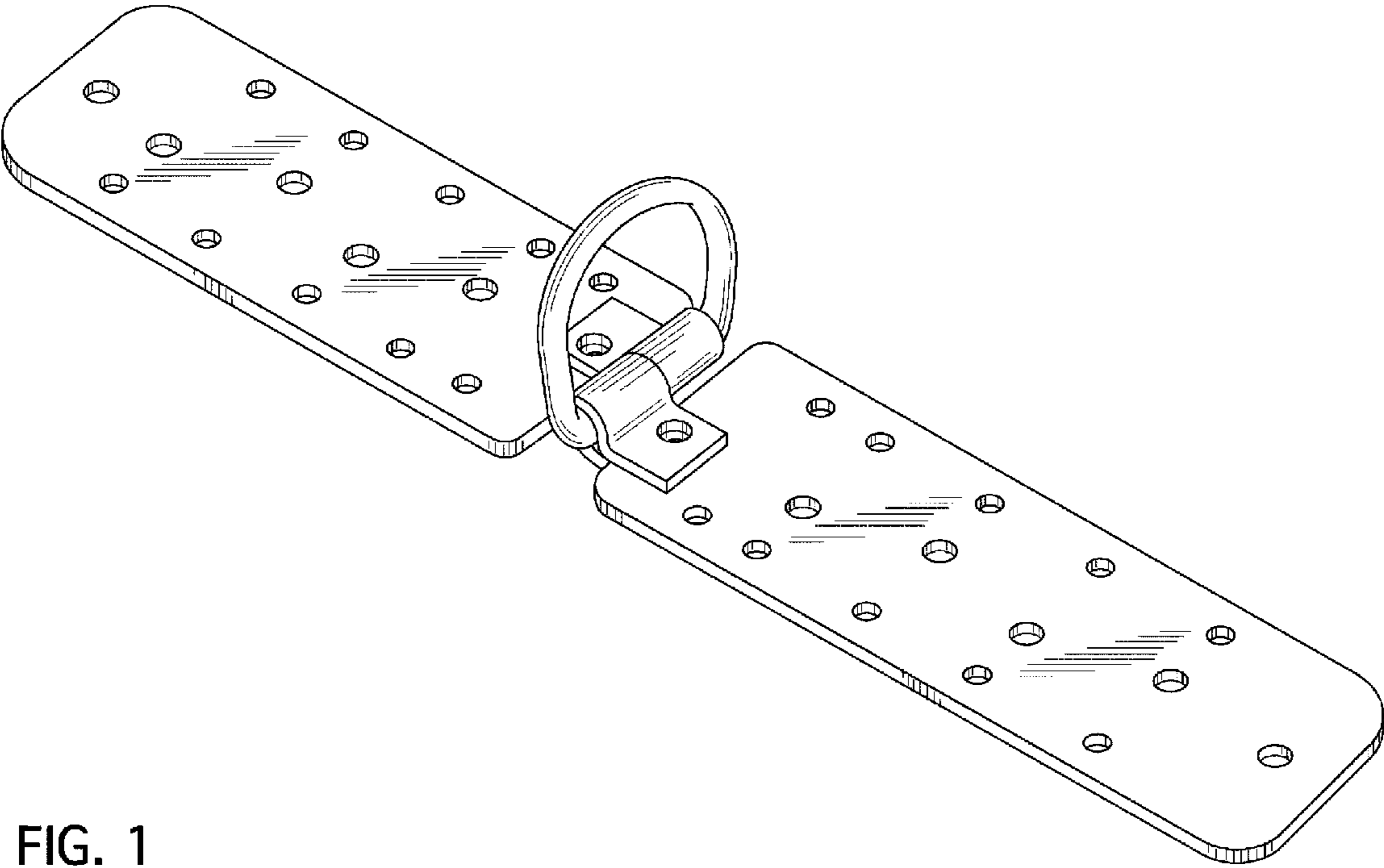


FIG. 1

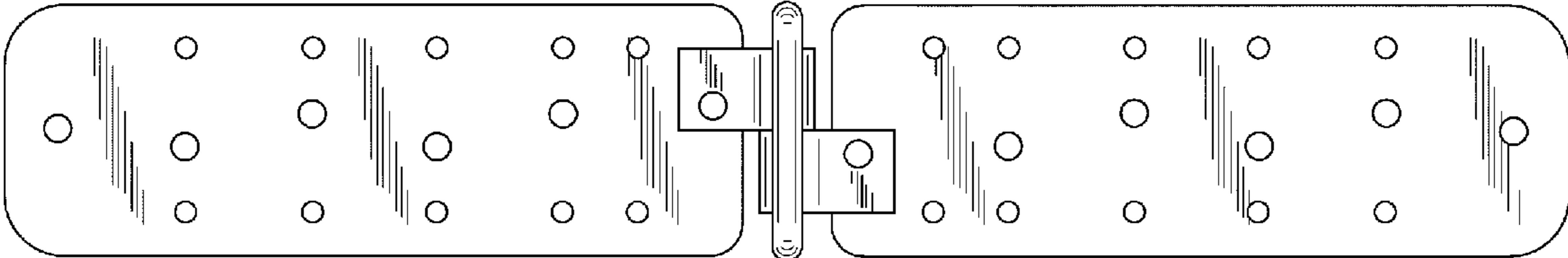


FIG. 2

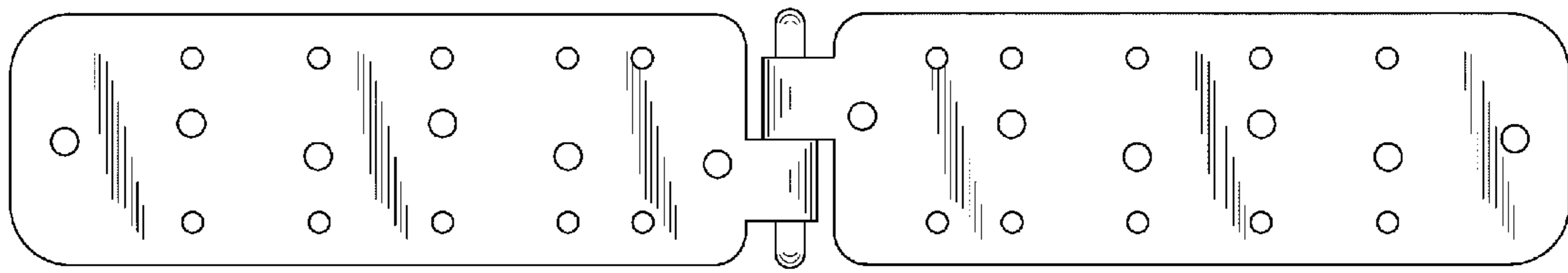
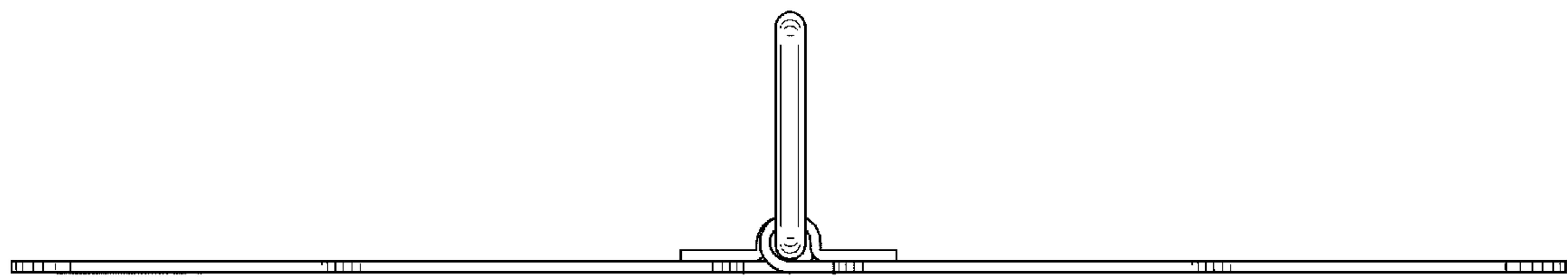
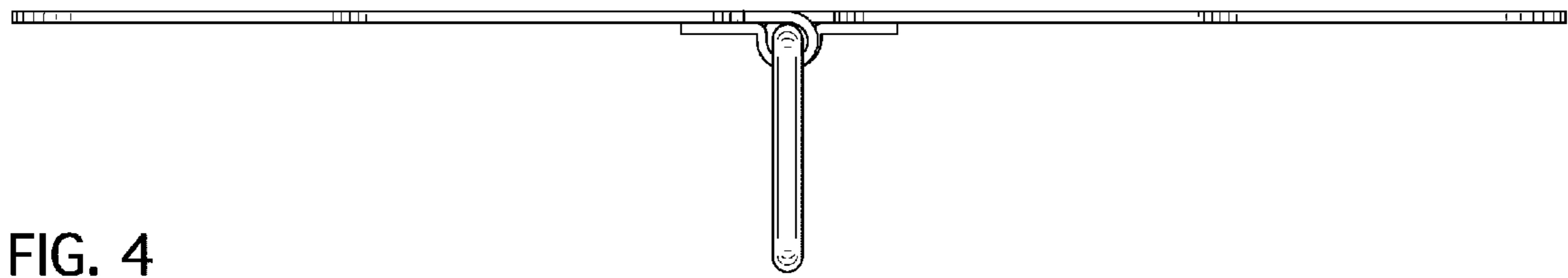


FIG. 3



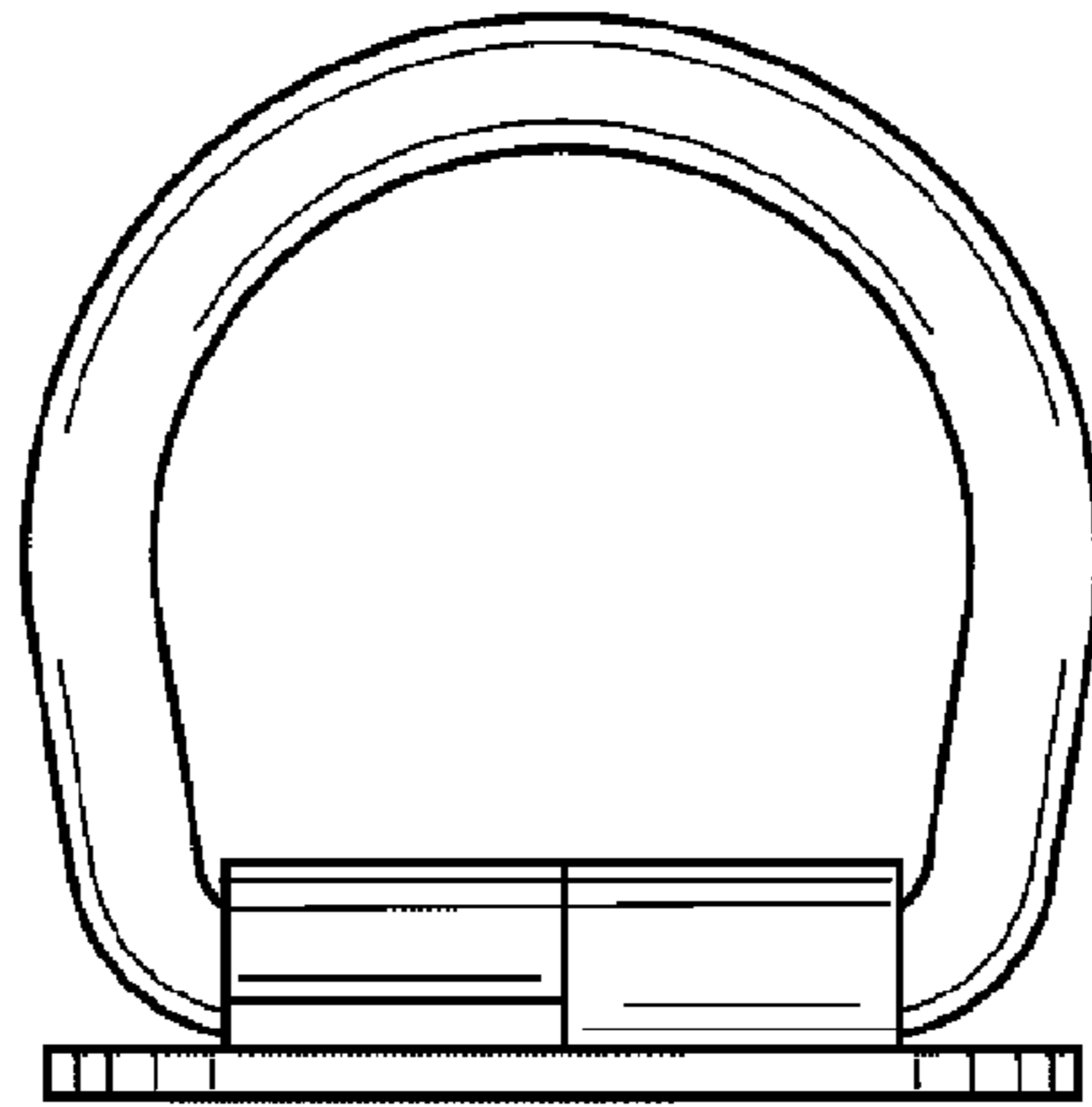


FIG. 6

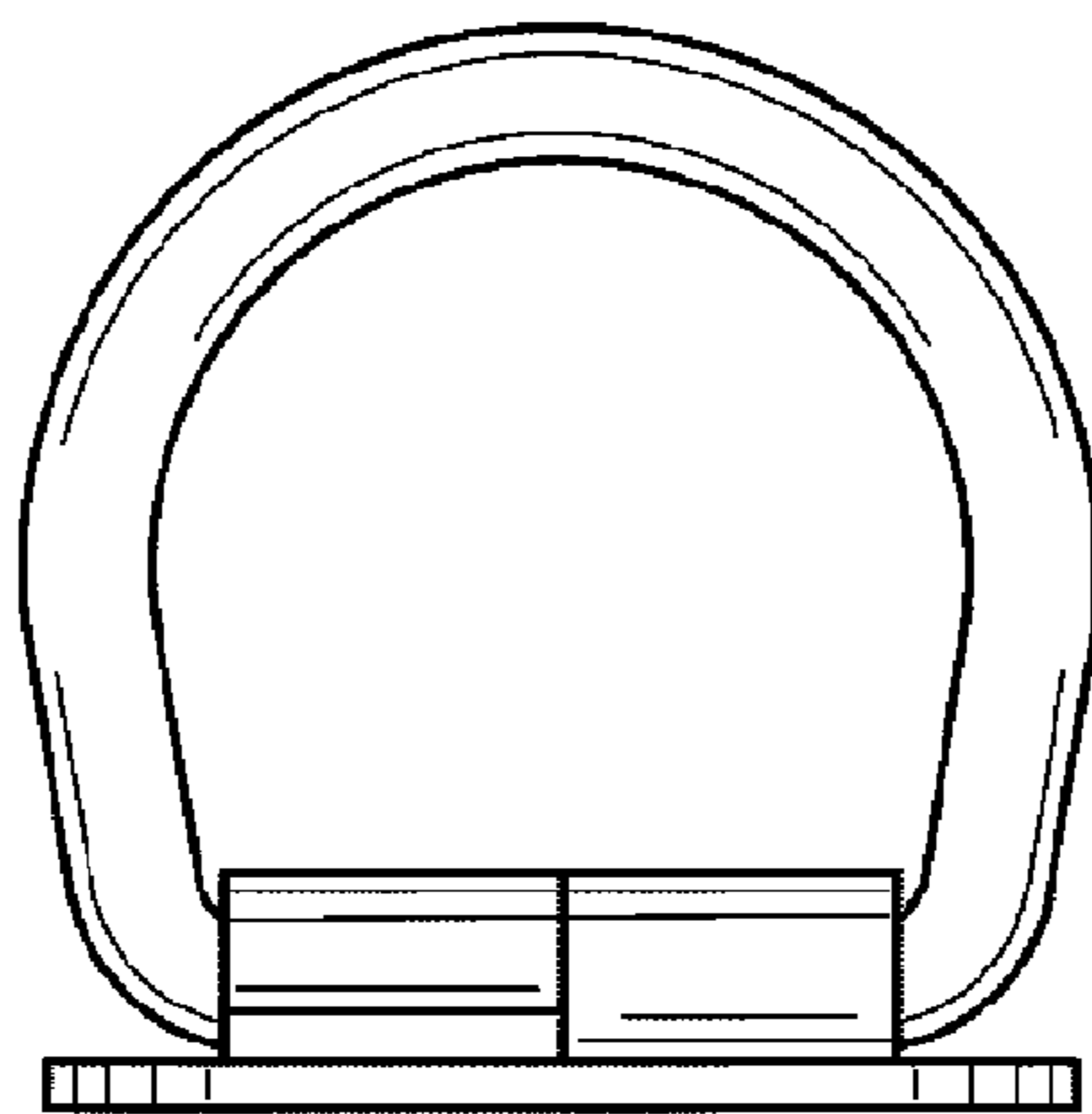


FIG. 7