



US00D646550S

(12) **United States Design Patent**  
**Owens**

(10) **Patent No.:** **US D646,550 S**

(45) **Date of Patent:** **\*\* Oct. 11, 2011**

(54) **CABINET KNOB**

(75) **Inventor:** **Ashley Marie Owens**, Bossier City, LA (US)

(73) **Assignee:** **Hardware Resources, Inc.**, Bossier City, LA (US)

(\*\*) **Term:** **14 Years**

(21) **Appl. No.:** **29/370,992**

(22) **Filed:** **Sep. 30, 2010**

(51) **LOC (9) Cl.** ..... **08-06**

(52) **U.S. Cl.** ..... **D8/305**

(58) **Field of Classification Search** ..... D8/305, D8/307, 310, 378, 401, DIG. 1; D11/47, D11/48, 63, 68, 81, 84, 99, 106, 107, 108, D11/115; 16/110.1; 292/336.3

See application file for complete search history.

(56) **References Cited**

**U.S. PATENT DOCUMENTS**

D70,744 S *	8/1926	Dlouhy	.....	D8/378
D80,095 S *	12/1929	Smith	.....	D8/378
D84,004 S *	4/1931	Smith	.....	D8/378
D143,220 S *	12/1945	Katz	.....	D11/67
D206,149 S *	11/1966	Clayton	.....	D8/314

D504,060 S *	4/2005	Shyu et al.	.....	D8/378
D574,215 S *	8/2008	Mattson et al.	.....	D8/310
D580,252 S *	11/2008	Hoernig	.....	D8/310
D595,107 S *	6/2009	Owens	.....	D8/305

\* cited by examiner

*Primary Examiner* — Paula Greene

(74) *Attorney, Agent, or Firm* — Schultz & Associates, P.C.

(57) **CLAIM**

The ornamental design for a cabinet knob, as shown and described.

**DESCRIPTION**

FIG. 1 is a top isometric view of the cabinet knob in accordance with the present invention; and,

FIG. 2 is a longitudinal side elevation view of the cabinet knob in accordance with the present invention.

FIG. 3 is a top view of the cabinet knob in accordance with the present invention.

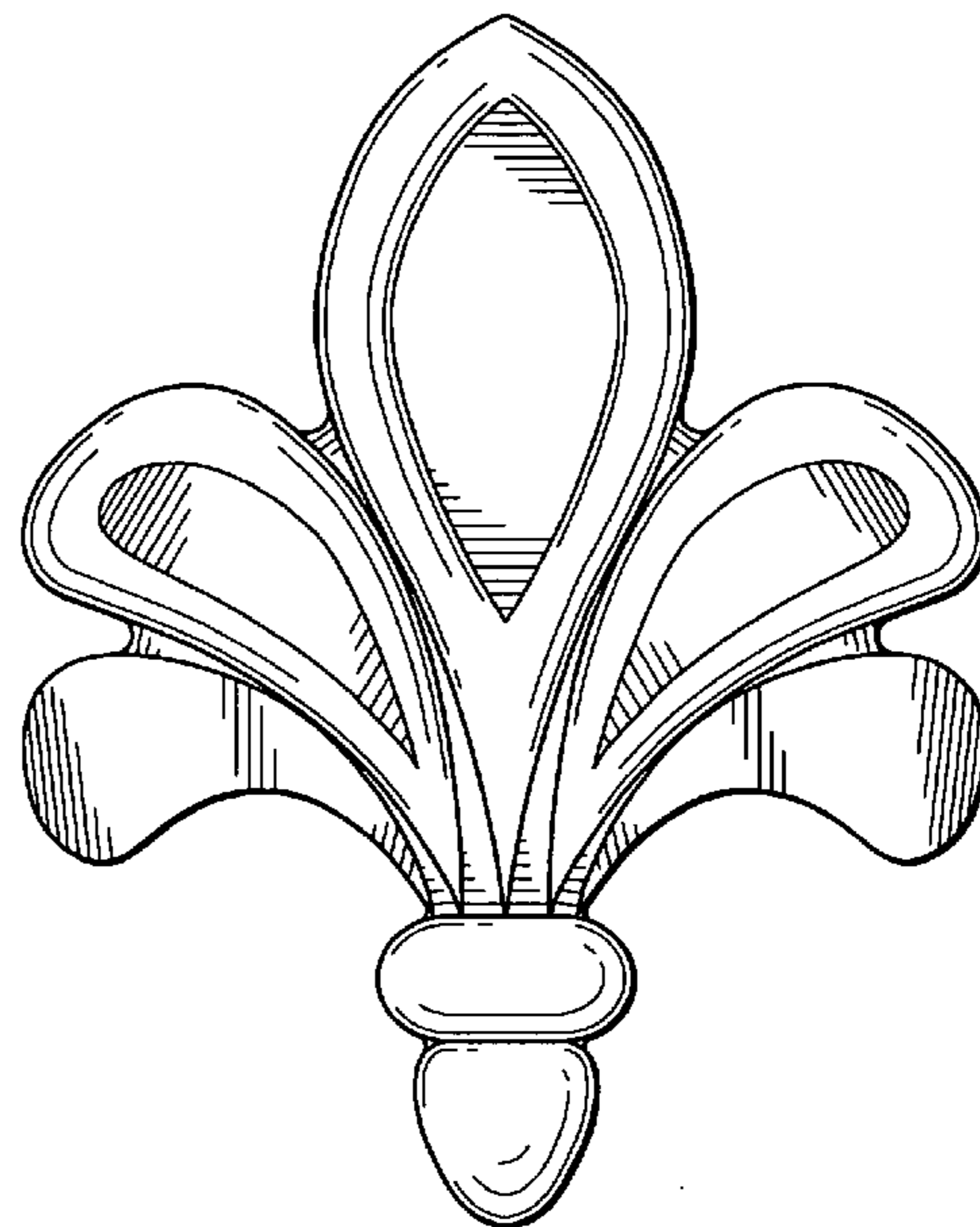
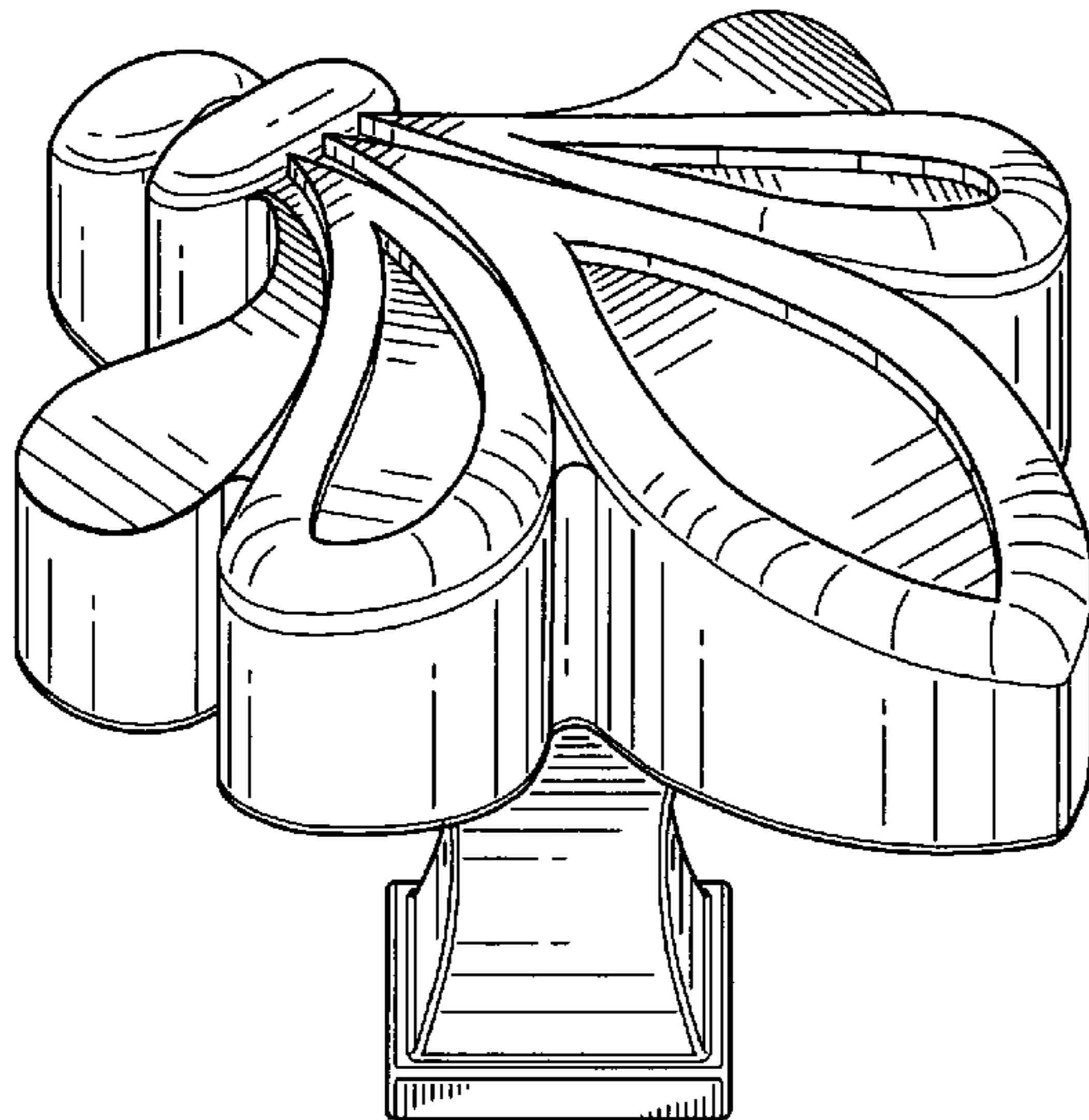
FIG. 4 is a lateral side elevation view of the cabinet knob in accordance with the present invention.

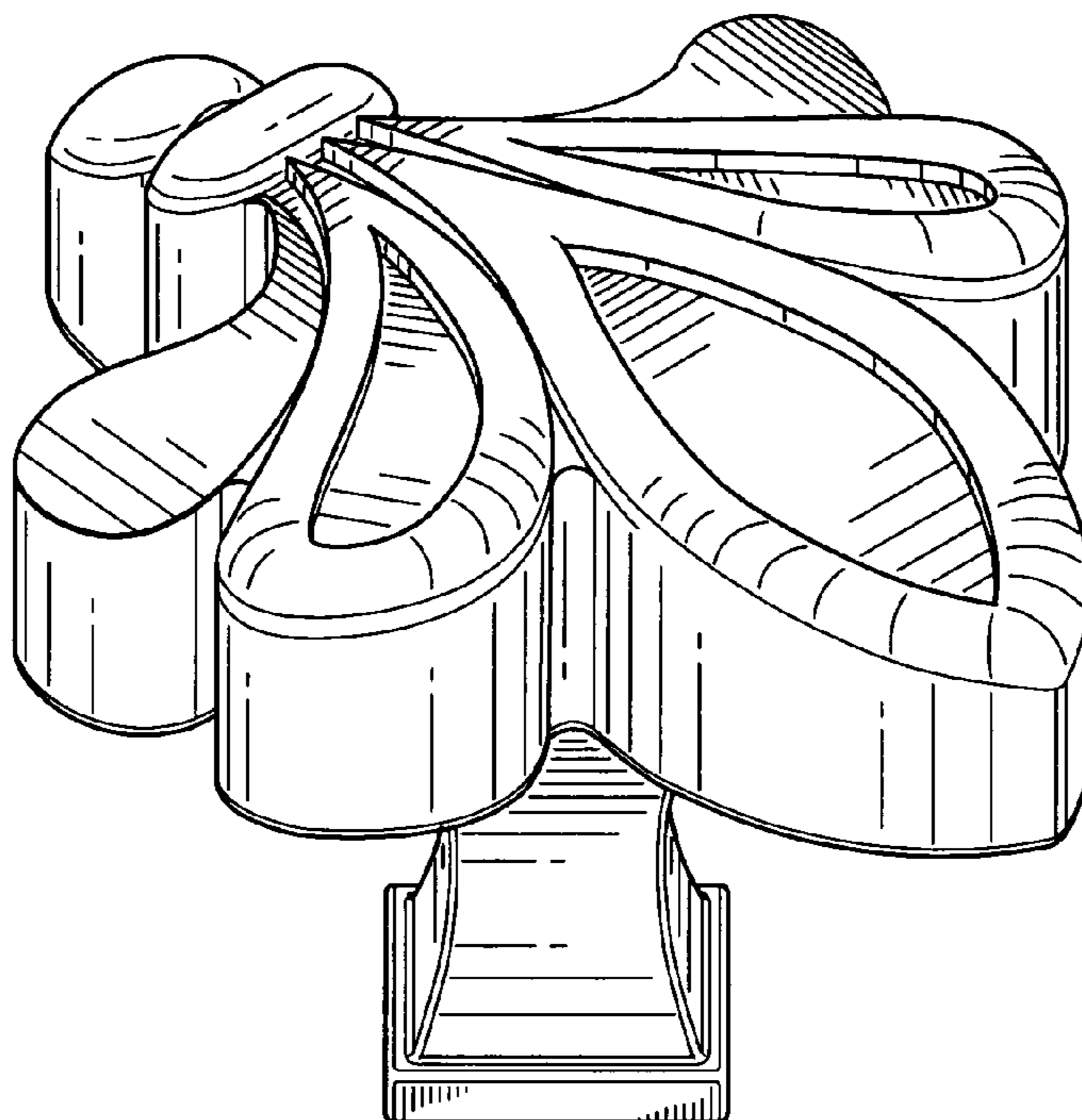
FIG. 5 is a lateral side elevation view of the cabinet knob in accordance with the present invention; and,

FIG. 6 is a bottom view of the cabinet knob in accordance with the present invention.

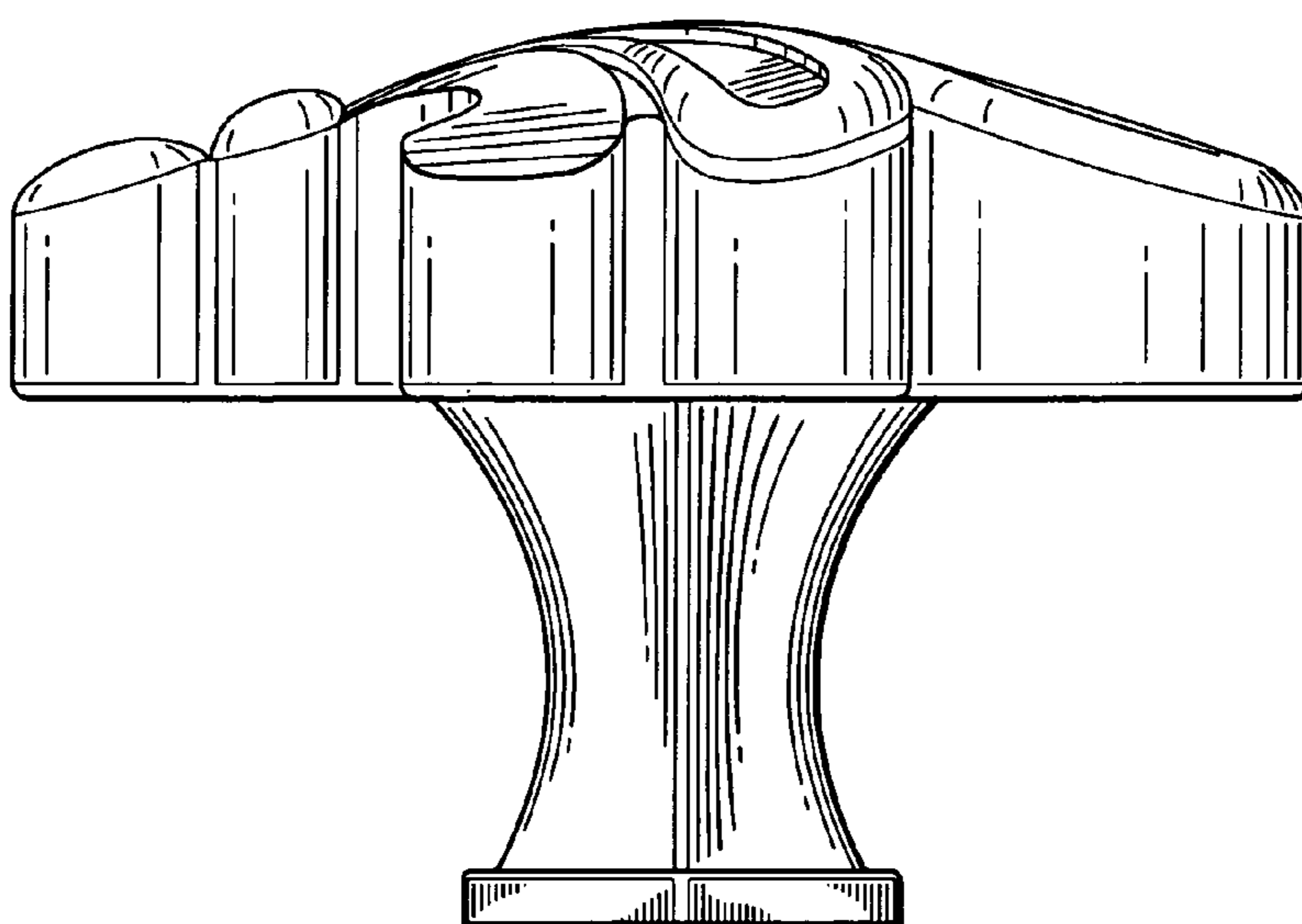
The broken lines form no part of the claimed design.

**1 Claim, 3 Drawing Sheets**

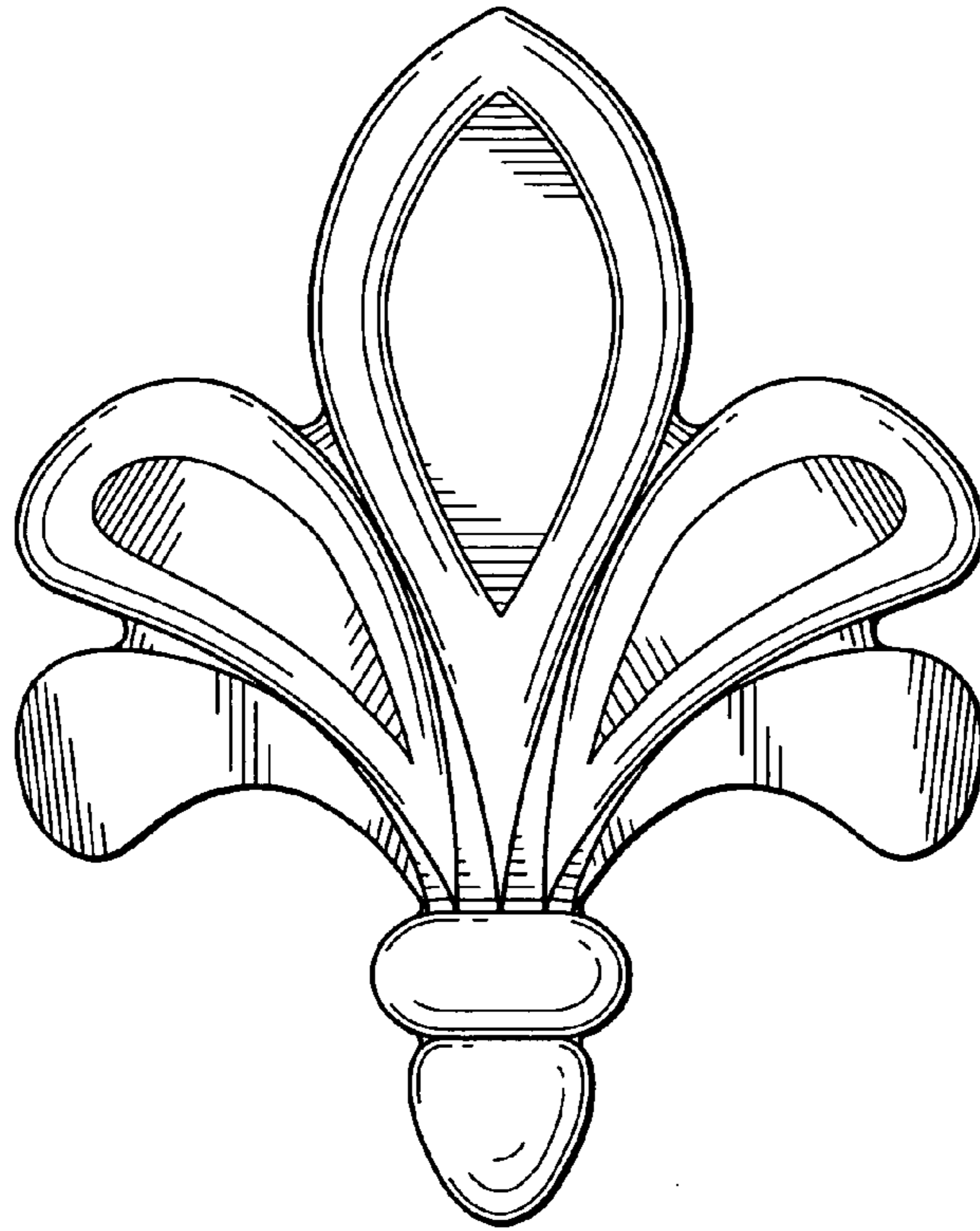




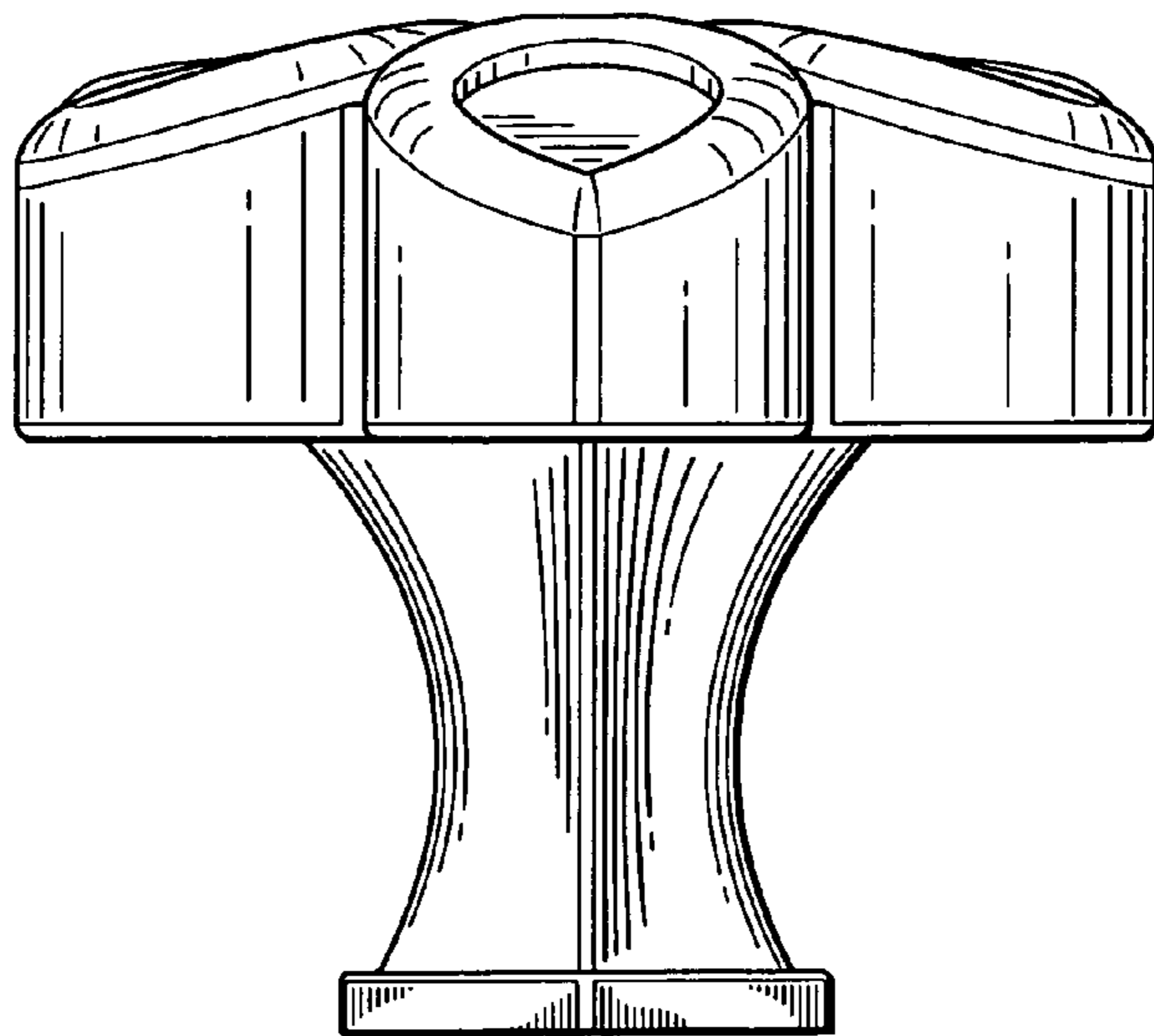
*FIG. 1*



*FIG. 2*



*FIG. 3*



*FIG. 4*

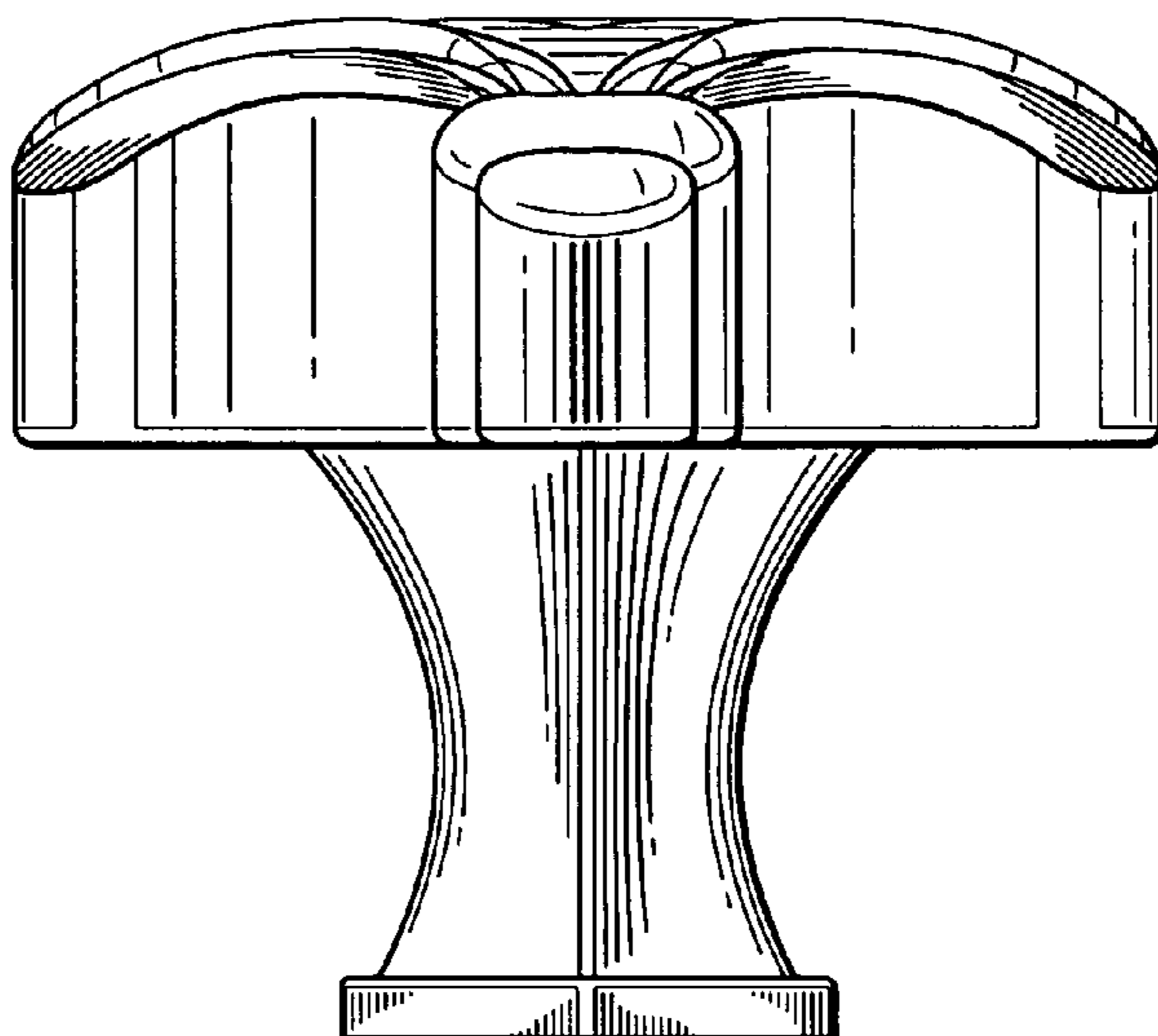


FIG. 5

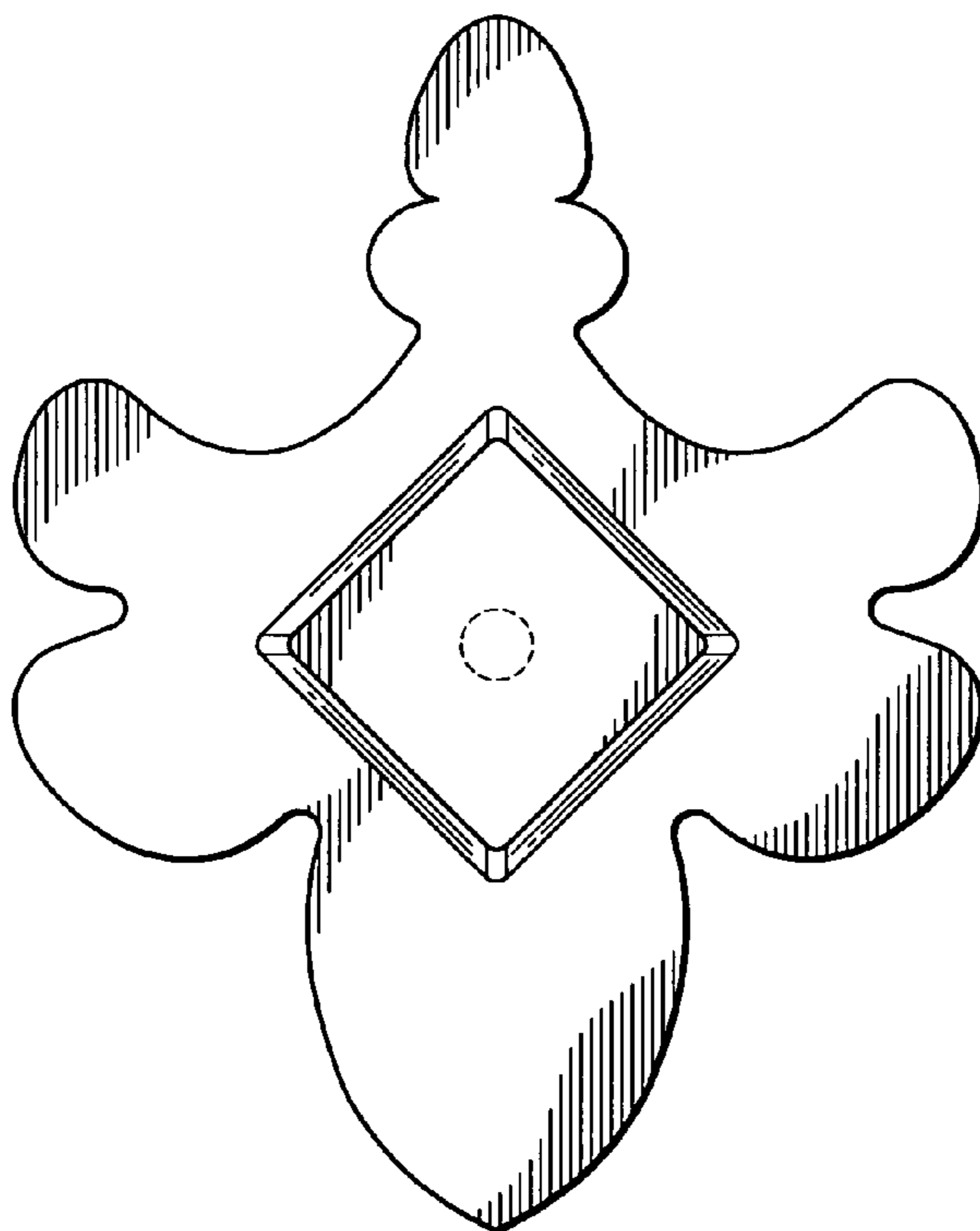


FIG. 6