



US00D646547S

(12) **United States Design Patent**
DeBaker

(10) **Patent No.:** **US D646,547 S**
(45) **Date of Patent:** **** Oct. 11, 2011**

(54) **TOOL BIT**

(75) Inventor: **Joseph M. DeBaker**, Pewaukee, WI
(US)

(73) Assignee: **Milwaukee Electric Tool Corporation**,
Brookfield, WI (US)

(**) Term: **14 Years**

(21) Appl. No.: **29/383,445**

(22) Filed: **Jan. 18, 2011**

Related U.S. Application Data

(63) Continuation of application No. 12/669,200, filed as
application No. PCT/US2009/063515 on Nov. 6,
2009.

(51) **LOC (9) Cl.** **08-04**

(52) **U.S. Cl.** **D8/86**

(58) **Field of Classification Search** D8/82-87;
81/436, 438-441, 460-461, 489-490

See application file for complete search history.

(56) **References Cited**

U.S. PATENT DOCUMENTS

442,710	A	12/1890	Marsh
869,443	A	10/1907	Lund
876,675	A	1/1908	Albrecht
925,115	A	6/1909	Loewenberg
1,645,672	A	10/1927	Van Savn
1,776,525	A	9/1930	Talbot
1,923,132	A	8/1933	Witkin
1,932,113	A	10/1933	Long
1,979,460	A	11/1934	Forsberg
1,984,839	A	12/1934	Murray
2,010,616	A	8/1935	Walsh
2,022,703	A	12/1935	Banner
2,216,382	A	10/1940	West et al.
2,218,631	A	10/1940	West et al.
D128,609	S	8/1941	Bakeman
2,307,556	A	1/1943	Wileman

(Continued)

FOREIGN PATENT DOCUMENTS

DE 2231949 2/1973
(Continued)

OTHER PUBLICATIONS

Milwaukee Tool Shockwave Bits. Snagged Jun. 18, 2011 at www.
toolbarn.com and power-tools.hardwarestore.com.*

(Continued)

Primary Examiner — Philip S Hyder

Assistant Examiner — Roselynn Cody

(74) *Attorney, Agent, or Firm* — Michael Best & Friedrich
LLP

(57) **CLAIM**

I claim the ornamental design for a tool bit, as shown and
described.

DESCRIPTION

FIG. 1 is a front perspective view of a tool bit according to a
first embodiment of the invention.

FIG. 2 is a side view of the tool bit of FIG. 1.

FIG. 3 is a front view of the tool bit of FIG. 1.

FIG. 4 is a rear view of the tool bit of FIG. 1.

FIG. 5 is a front perspective view of a tool bit according to a
second embodiment of the invention.

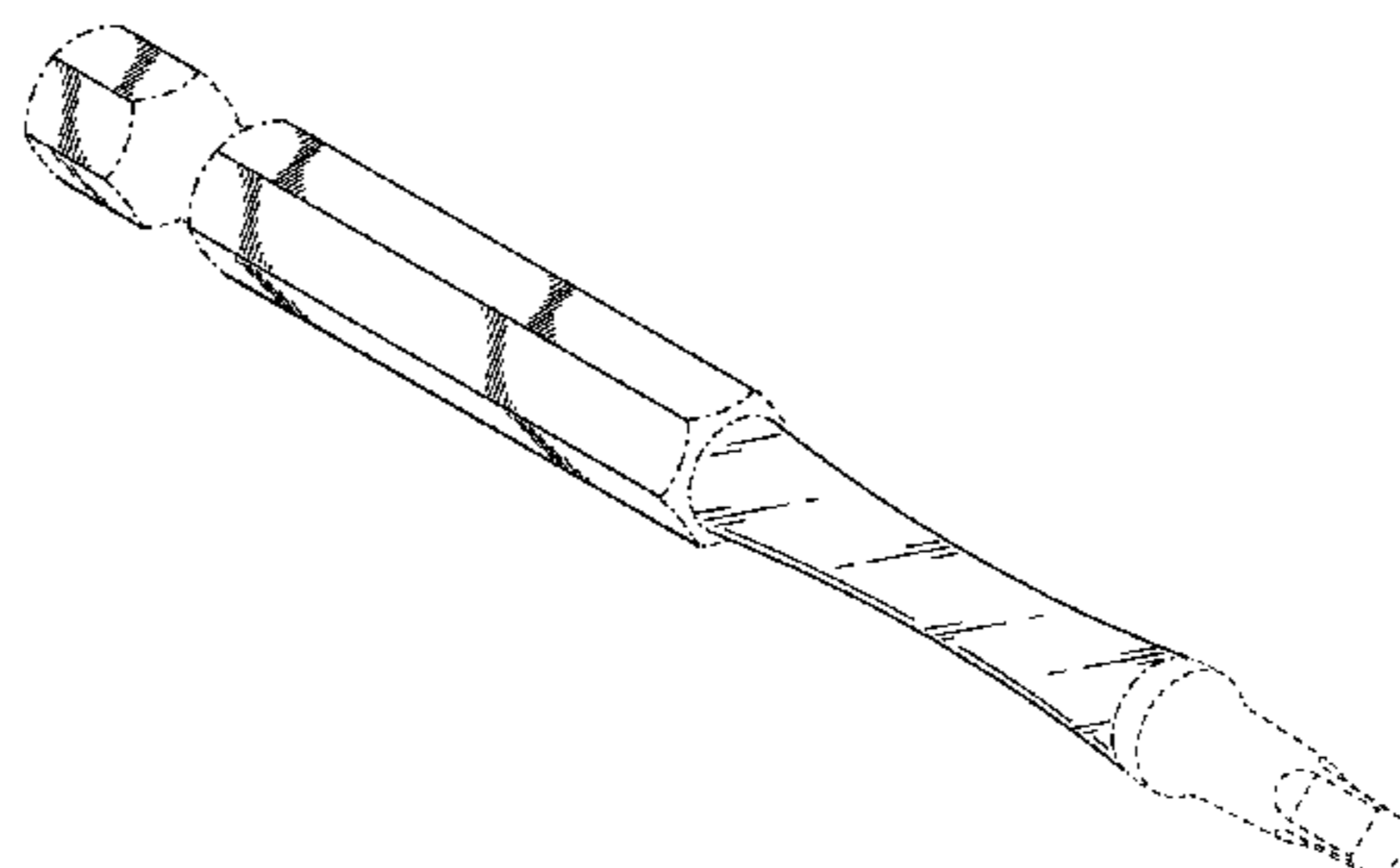
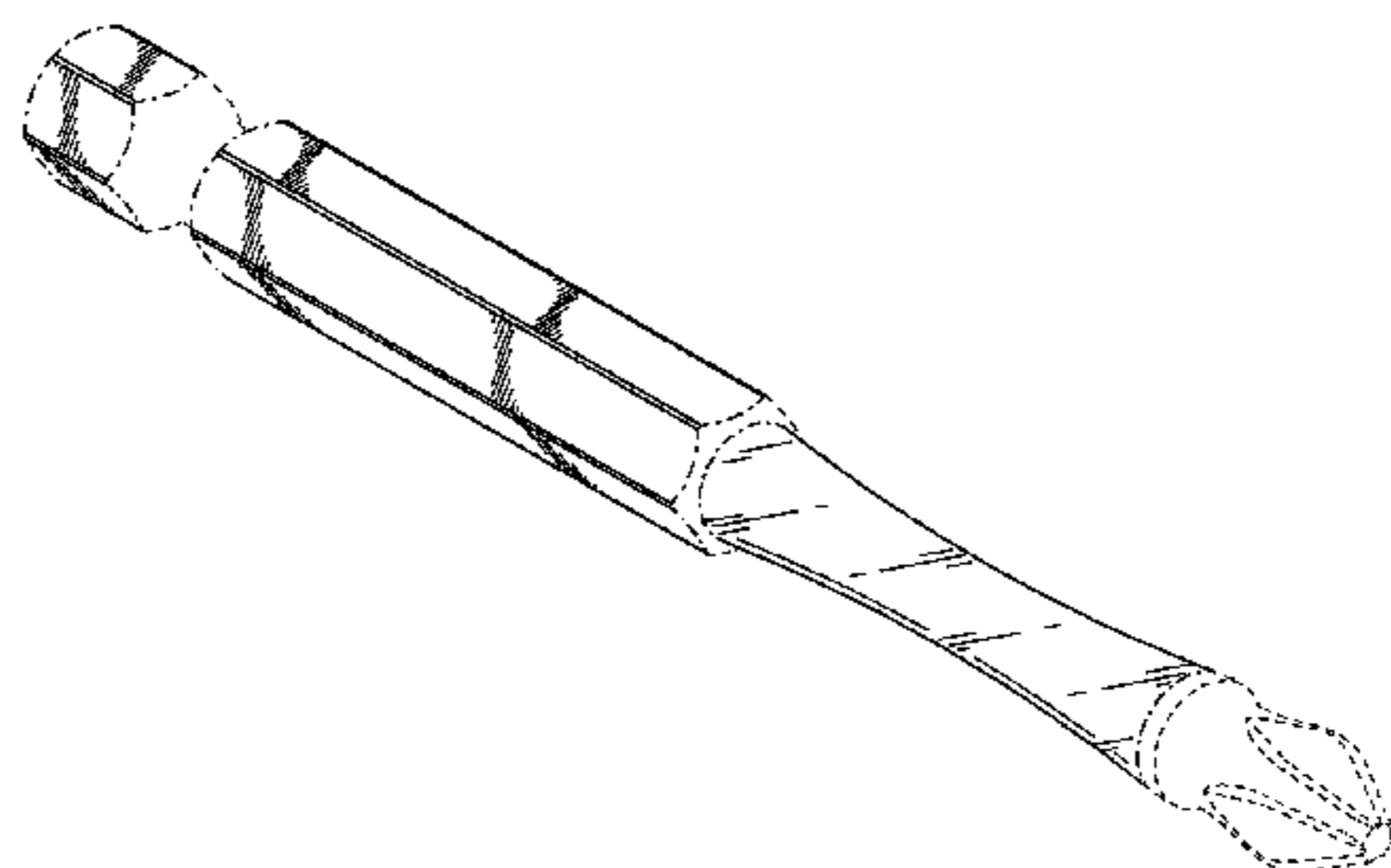
FIG. 6 is a side view of the tool bit of FIG. 5.

FIG. 7 is a front view of the tool bit of FIG. 5; and,

FIG. 8 is a rear view of the tool bit of FIG. 5.

The portions of the tool bit shown in dash-dash broken lines
are included for the purpose of illustrating features that form
no part of the claimed design. The portions of the tool bit
shown in dash-dot lines illustrate boundaries and form no part
of the claimed design.

1 Claim, 4 Drawing Sheets



US D646,547 S

U.S. PATENT DOCUMENTS			FOREIGN PATENT DOCUMENTS		
2,366,682 A	1/1945	West et al.	5,619,882 A	4/1997	Godtner
2,400,684 A	5/1946	Clark	5,676,421 A	10/1997	Brodsky
2,410,971 A	11/1946	Hartley	5,704,261 A	1/1998	Strauch et al.
2,417,225 A	3/1947	West et al.	5,791,212 A	8/1998	Han
2,445,978 A	7/1948	Stellin	5,819,606 A	10/1998	Arnold
D150,800 S	8/1948	Magnus, Jr.	5,830,287 A	11/1998	Pinnow et al.
2,515,839 A	7/1950	Robertson	5,868,047 A	2/1999	Faust et al.
2,522,996 A	9/1950	Cone	D410,372 S	6/1999	Strauch
2,523,041 A	9/1950	McKenzie	5,953,969 A	9/1999	Rosenhan
2,537,029 A	1/1951	Cambren	5,957,012 A	9/1999	McCune
2,592,978 A	4/1952	Trimboli	5,984,596 A	11/1999	Fehrle et al.
2,621,688 A	12/1952	Wales	6,019,022 A	2/2000	Dotson
2,804,894 A	9/1957	Rosenburg	6,032,556 A	3/2000	Hu
2,820,382 A	1/1958	Smith	6,047,618 A	4/2000	Pieri
2,833,548 A	5/1958	Clark	6,082,227 A	7/2000	Vogel
2,964,931 A	12/1960	Sorenson	6,089,133 A	7/2000	Liao
2,969,660 A	1/1961	Dale et al.	RE36,797 E	8/2000	Eggert et al.
3,129,571 A	4/1964	Reynolds	6,098,499 A	8/2000	Pool
3,151,512 A	10/1964	Charczenko	D431,768 S	10/2000	Feik
3,213,719 A	10/1965	Kloack	6,138,539 A	10/2000	Carchidi et al.
3,237,741 A	3/1966	Potter et al.	6,193,242 B1	2/2001	Robison
3,253,626 A	5/1966	Stillwagon, Jr. et al.	D445,325 S	7/2001	Fruhm
3,331,267 A	7/1967	Tietge	6,257,098 B1	7/2001	Cirone
3,387,669 A	6/1968	Wise, Jr. et al.	6,302,001 B1	10/2001	Karle
3,392,793 A	7/1968	Pauley	6,308,598 B1	10/2001	O'Neil
3,393,722 A	7/1968	Windham	6,332,384 B1	12/2001	Cluthe
3,419,135 A	12/1968	Millner	6,345,560 B1	2/2002	Strauch et al.
3,592,087 A	7/1971	Pauley	6,352,011 B1	3/2002	Fruhm
3,703,916 A	11/1972	Sundsten et al.	D455,627 S	4/2002	Song
3,753,625 A	8/1973	Fabrizio et al.	D455,943 S	4/2002	Lin
3,888,144 A	6/1975	Parsons	6,393,950 B1	5/2002	Crosser
3,891,017 A	6/1975	Iskra	6,435,065 B2	8/2002	Kozak et al.
3,916,736 A	11/1975	Clemens	D462,596 S	9/2002	Fruhm
3,969,810 A	7/1976	Pagano	6,490,950 B2	12/2002	Ray et al.
3,985,170 A	10/1976	Iskra	6,520,055 B1	2/2003	Reusch et al.
4,037,515 A	7/1977	Kesselman	6,547,562 B2	4/2003	Kumar
4,092,753 A	6/1978	Fuhrmann	6,701,814 B2	3/2004	Purkapile
4,096,896 A	6/1978	Engel	6,733,896 B2	5/2004	Dolan et al.
4,105,056 A	8/1978	Arnn	6,761,093 B2	7/2004	Chang
4,215,600 A	8/1980	Kesselman	6,792,831 B2	9/2004	Crosser
4,246,811 A	1/1981	Bondhus et al.	6,883,405 B2	4/2005	Strauch
4,399,723 A	8/1983	Marleau	7,010,998 B2	3/2006	Ying-Hao
4,409,867 A	10/1983	Lyden	7,028,588 B2	4/2006	Shih
4,573,839 A	3/1986	Finnegan	7,107,882 B1	9/2006	Chang
4,680,996 A	7/1987	Gold	7,117,765 B1	10/2006	Wallden
4,692,073 A	9/1987	Martindell	7,143,670 B2	12/2006	Geary
4,705,124 A	11/1987	Abrahamson et al.	7,159,493 B1	1/2007	Huang
4,782,574 A	11/1988	Karcher et al.	7,168,348 B2	1/2007	Holland-Letz
4,800,786 A	1/1989	Arnold et al.	7,188,556 B1	3/2007	Rinner
4,825,732 A	5/1989	Arnold	7,261,023 B2	8/2007	Taguchi
4,833,951 A	5/1989	Karcher et al.	7,331,263 B2	2/2008	Erickson et al.
4,836,059 A	6/1989	Arnold	7,437,979 B1	10/2008	Wang
4,852,196 A	8/1989	Martin	D600,525 S	9/2009	Meng
4,884,478 A	12/1989	Lieser	7,581,470 B1	9/2009	Huang
4,936,170 A	6/1990	Zumeta	D623,036 S *	9/2010	DeBaker D8/86
4,947,713 A	8/1990	Arnold	D631,723 S *	2/2011	DeBaker D8/86
4,982,627 A	1/1991	Johnson	2004/0007095 A1	1/2004	Meng
5,012,708 A	5/1991	Martindell	2004/0099106 A1	5/2004	Strauch et al.
5,012,709 A	5/1991	Su	2005/0028651 A1	2/2005	Crosser
5,031,488 A	7/1991	Zumeta	2005/0076749 A1	4/2005	Liu
5,070,750 A	12/1991	Jones et al.	2005/0087045 A1	4/2005	Gryciuk et al.
5,079,978 A	1/1992	Kupfer	2006/0027054 A1	2/2006	Wang
5,140,877 A	8/1992	Sloan	2006/0130621 A1	6/2006	Novak et al.
5,176,050 A	1/1993	Sauer et al.	2006/0230887 A1	10/2006	Taguchi
5,180,042 A	1/1993	Ogiso	2006/0266163 A1	11/2006	Crosser
5,182,973 A	2/1993	Martindell	2006/0286506 A1	12/2006	Birnholtz
5,199,336 A	4/1993	Wuilmart	2007/0028728 A1	2/2007	Griffiths
5,228,250 A	7/1993	Kesselman	2007/0062382 A1	3/2007	Hu
5,295,423 A	3/1994	Mikic	2007/0131065 A1	6/2007	Shih
5,295,831 A	3/1994	Patterson et al.	2007/0227314 A1	10/2007	Erickson et al.
5,299,474 A	4/1994	Hohmann et al.	2008/0034928 A1	2/2008	Sheu
5,330,230 A	7/1994	Craig	2008/0047401 A1	2/2008	Lu
RE34,680 E	8/1994	Lieser	2008/0087142 A1	4/2008	Lin
D350,685 S	9/1994	Perkins et al.	2008/0216616 A1	9/2008	Hsieh
5,353,667 A	10/1994	Wilner	2008/0295650 A1	12/2008	Hsieh
5,370,021 A	12/1994	Shigematsu			
D359,335 S	6/1995	Cartwright			
5,535,867 A	7/1996	Coccaro et al.			

US D646,547 S

Page 3

DE	4300446	6/1994
DE	19614961	2/1997
DE	19622846	12/1997
DE	19628901	1/1998
DE	10123407	1/2002
DE	10144990	2/2003
EP	0221279	5/1987
EP	0279899	8/1988
EP	0467232	1/1992
EP	0610693	8/1994
GB	963097	7/1964
GB	1476441	6/1977
JP	2000006037	1/2000
JP	2000024946	1/2000
JP	2000167775	6/2000
JP	2000167776	6/2000
JP	2000198081	7/2000
JP	2004142005	5/2004
JP	2004202665	7/2004
JP	2004237420	8/2004
JP	2005254406	9/2005
JP	2005254407	9/2005
JP	2006315166 A	11/2006

JP	2007111790	5/2007
JP	2008093799	4/2008
WO	8908536	9/1989
WO	9004498	5/1990
WO	9414576	7/1994
WO	9415755	7/1994
WO	9520470	8/1995
WO	9630167	10/1996
WO	9912145	3/1999
WO	2006094940	9/2006
WO	2006100283	9/2006

OTHER PUBLICATIONS

Vessel, "Problem Solvers are ready to go!" catalog, 5 pages, printed from web site www.vessel.jp/online/pro_b_bit.html on Sep. 11, 2008.

Robert Bosch Power Tool Corporation, catalog, 1982, 3 pages.

Black & Decker, Catalog 1(K), Sep. 26, 1960, 4 pages.

Black & Decker, catalog, 1947, 4 pages.

* cited by examiner

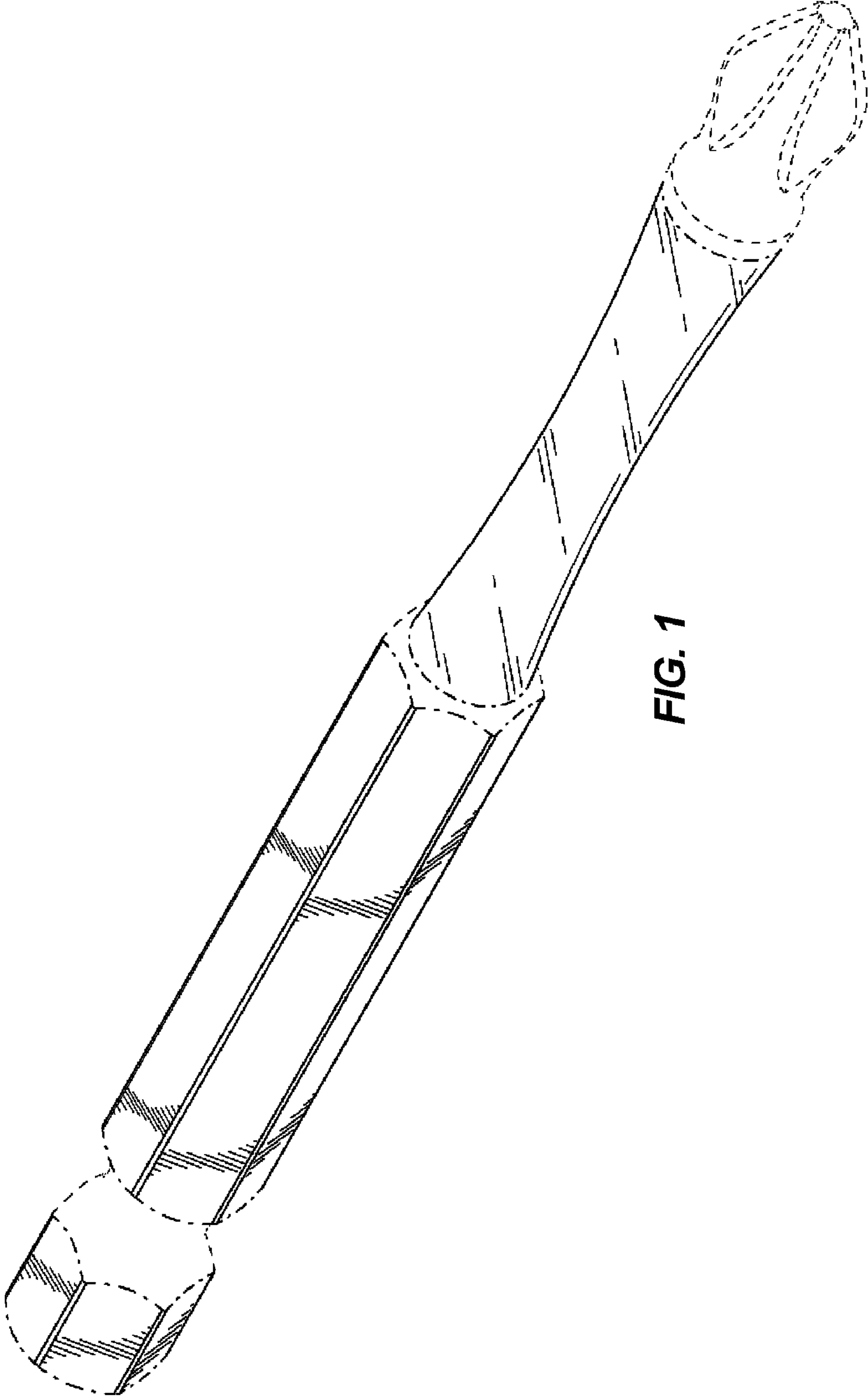


FIG. 1

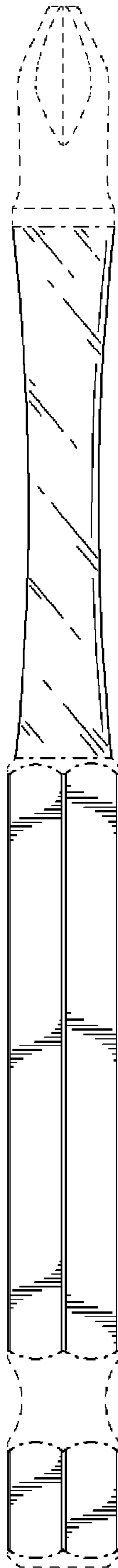


FIG. 2

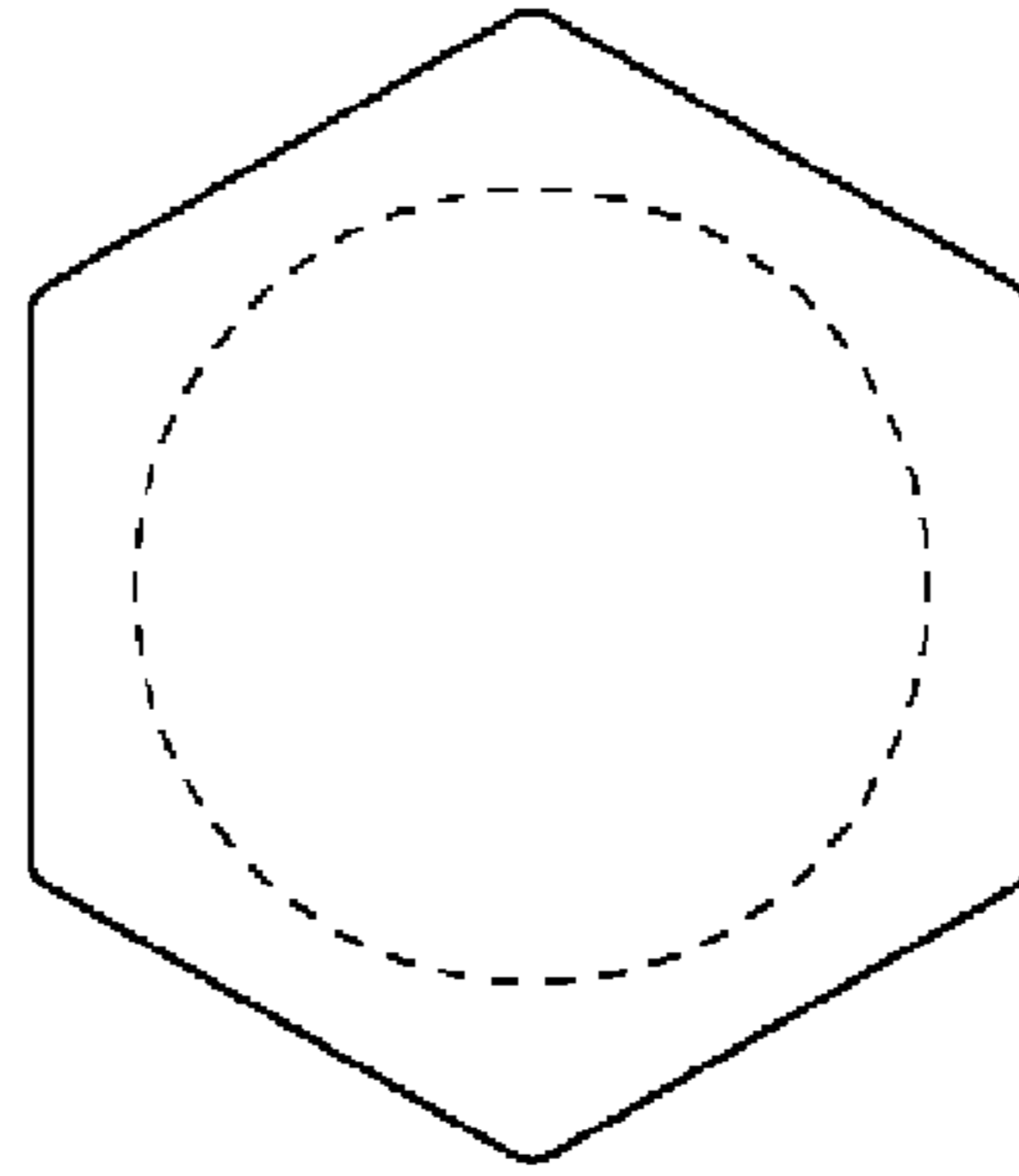


FIG. 4

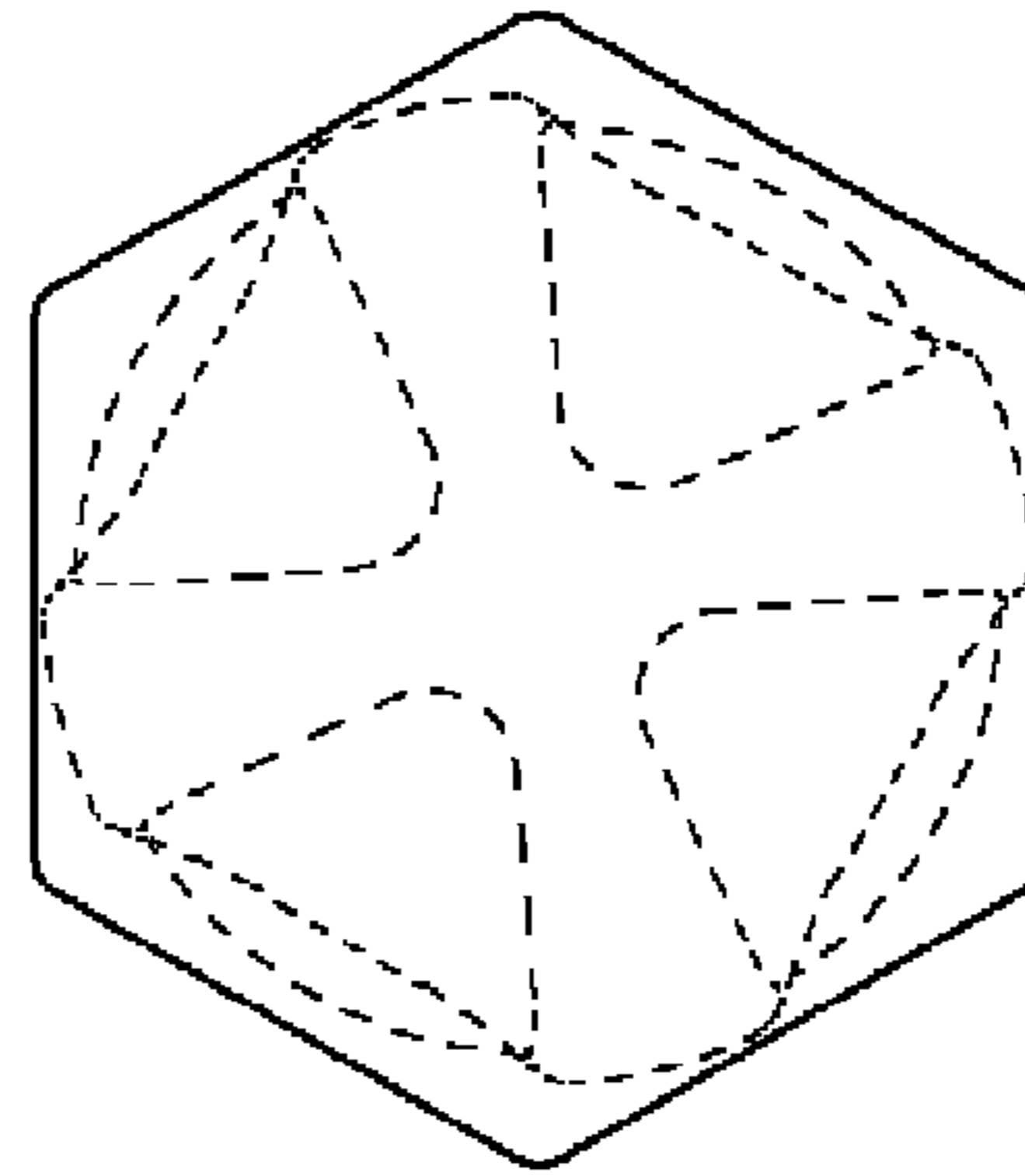


FIG. 3

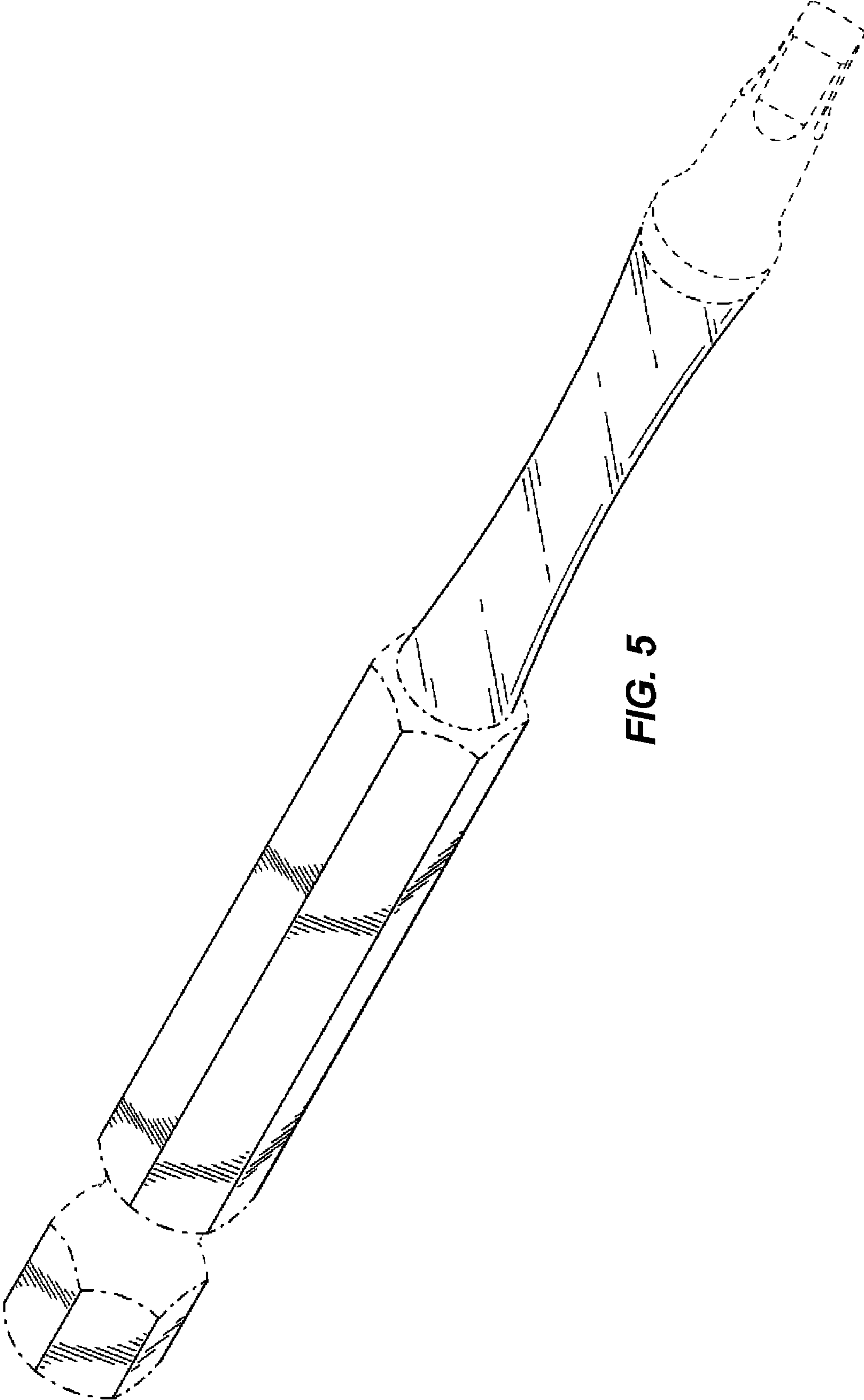


FIG. 5



FIG. 6

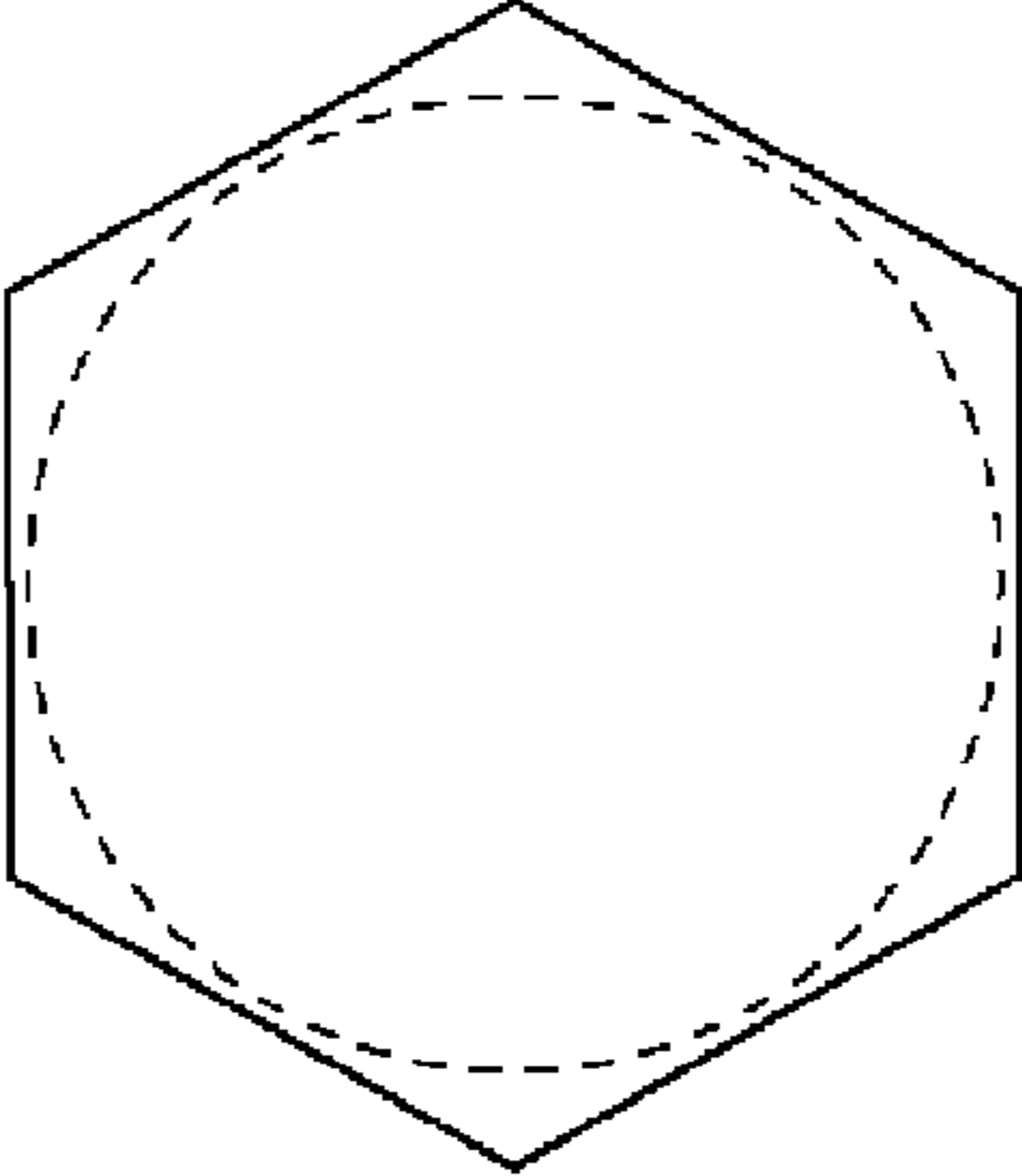


FIG. 8

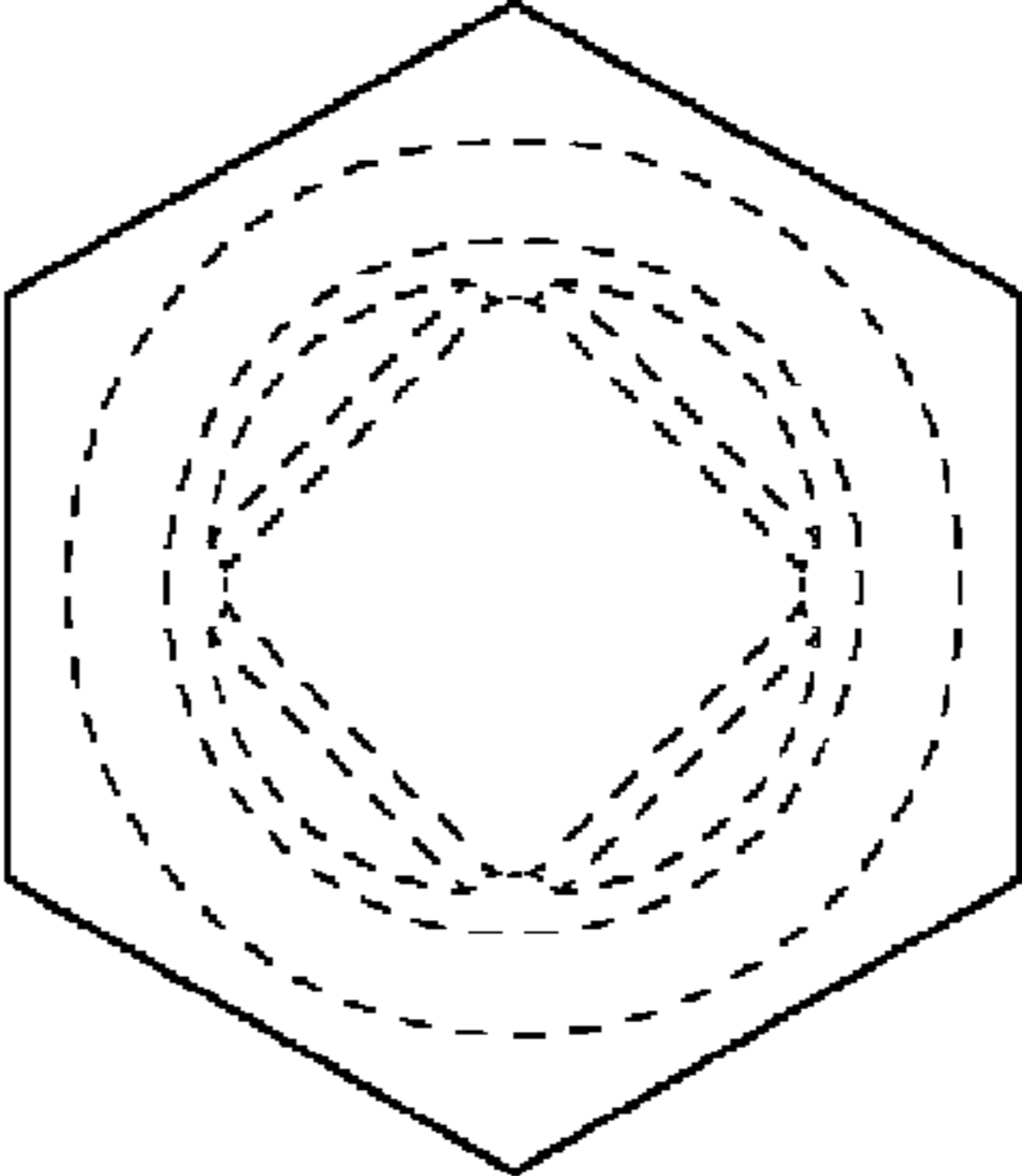


FIG. 7

UNITED STATES PATENT AND TRADEMARK OFFICE
CERTIFICATE OF CORRECTION

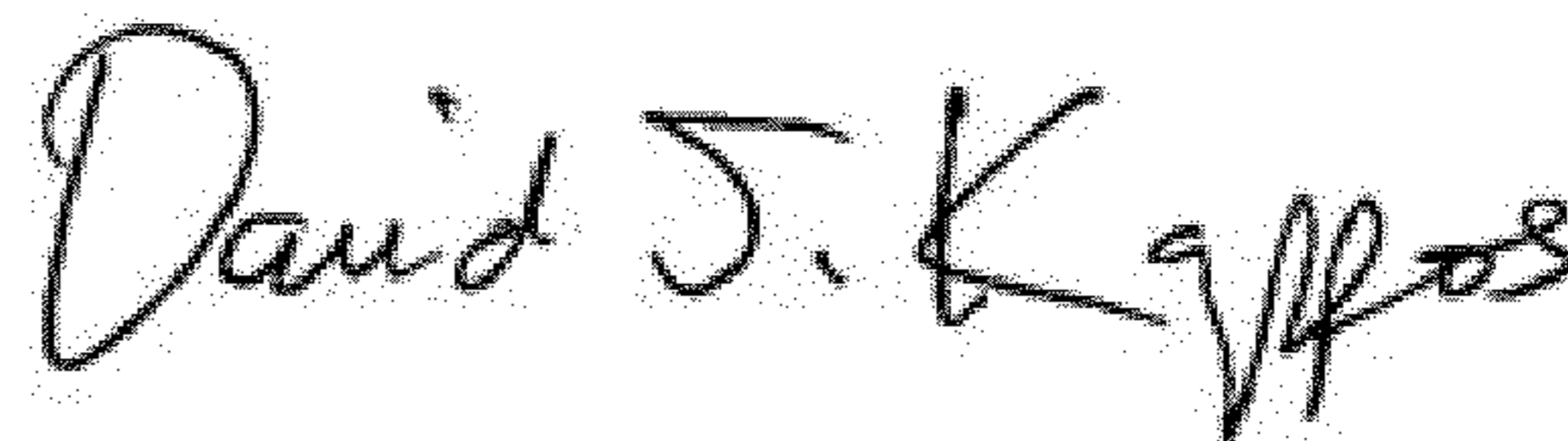
PATENT NO. : D646,547 S
APPLICATION NO. : 29/383445
DATED : October 11, 2011
INVENTOR(S) : Joseph M. DeBaker

Page 1 of 1

It is certified that error appears in the above-identified patent and that said Letters Patent is hereby corrected as shown below:

On the title page under the subheading "Related U.S. Application Data," after the date "November 6, 2009" add --, which claims priority to U.S. Provisional Patent Application No. 61/112,318--

Signed and Sealed this
Third Day of April, 2012

A handwritten signature in black ink that reads "David J. Kappos". The signature is written in a cursive, slightly slanted style.

David J. Kappos
Director of the United States Patent and Trademark Office