



US00D646545S

(12) **United States Design Patent**
Molina et al.

(10) **Patent No.:** **US D646,545 S**

(45) **Date of Patent:** **** Oct. 11, 2011**

(54) **TORQUE DRIVER HANDLE**

(75) Inventors: **Francisco Molina**, Sunrise, FL (US);
Glenn Robinson, Coral Springs, FL
(US)

(73) Assignee: **IBT Holdings, LLC**, Deerfield Beach,
FL (US)

(**) Term: **14 Years**

(21) Appl. No.: **29/372,482**

(22) Filed: **Nov. 29, 2010**

(51) **LOC (9) Cl.** **08-04**

(52) **U.S. Cl.** **D8/83**

(58) **Field of Classification Search** D8/24-25,
D8/82-85, 87, 107; 81/177.1-177.7
See application file for complete search history.

(56) **References Cited**

U.S. PATENT DOCUMENTS

D33,589	S	*	11/1900	Higgins	D8/107
2,815,837	A	*	12/1957	Morgan	192/44
4,273,173	A	*	6/1981	Smith et al.	81/177.4
D261,979	S	*	11/1981	Smith et al.	D8/82
D288,656	S	*	3/1987	Smith	D8/82
D387,964	S	*	12/1997	Urvoy	D8/82

D494,829	S	*	8/2004	Lin	D8/83
D510,247	S	*	10/2005	White	D8/68
7,069,823	B1	*	7/2006	Howell	81/177.1
D534,052	S	*	12/2006	Lin	D8/107
D572,559	S	*	7/2008	Demers et al.	D8/83
D622,565	S	*	8/2010	Huang	D8/25

* cited by examiner

Primary Examiner — Susan E Krakower

Assistant Examiner — Roselynn Cody

(74) *Attorney, Agent, or Firm* — Dan M. DeLaRosa

(57) **CLAIM**

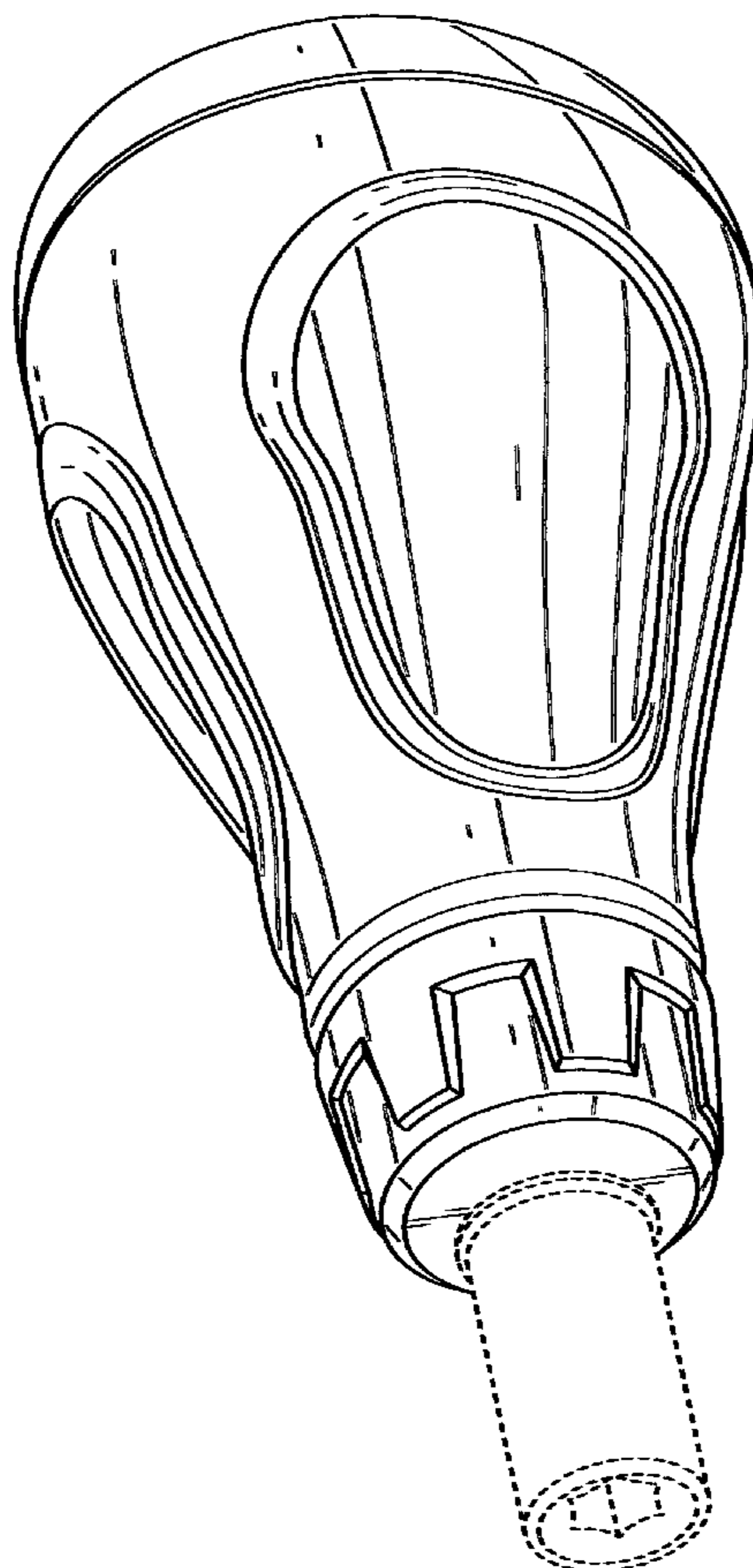
The ornamental design for a torque driver handle, as shown and described.

DESCRIPTION

FIG. 1 is a front perspective view of the torque driver handle of the present invention showing my new design; FIG. 2 is a front side elevational view thereof; FIG. 3 is a back side elevational view thereof; FIG. 4 is a side elevational view thereof; FIG. 5 is another side elevational view thereof; FIG. 6 is a bottom plan view thereof; and, FIG. 7 is a top plan view thereof.

The broken lines in the figures are directed to a feature that forms no part of the claim.

1 Claim, 6 Drawing Sheets



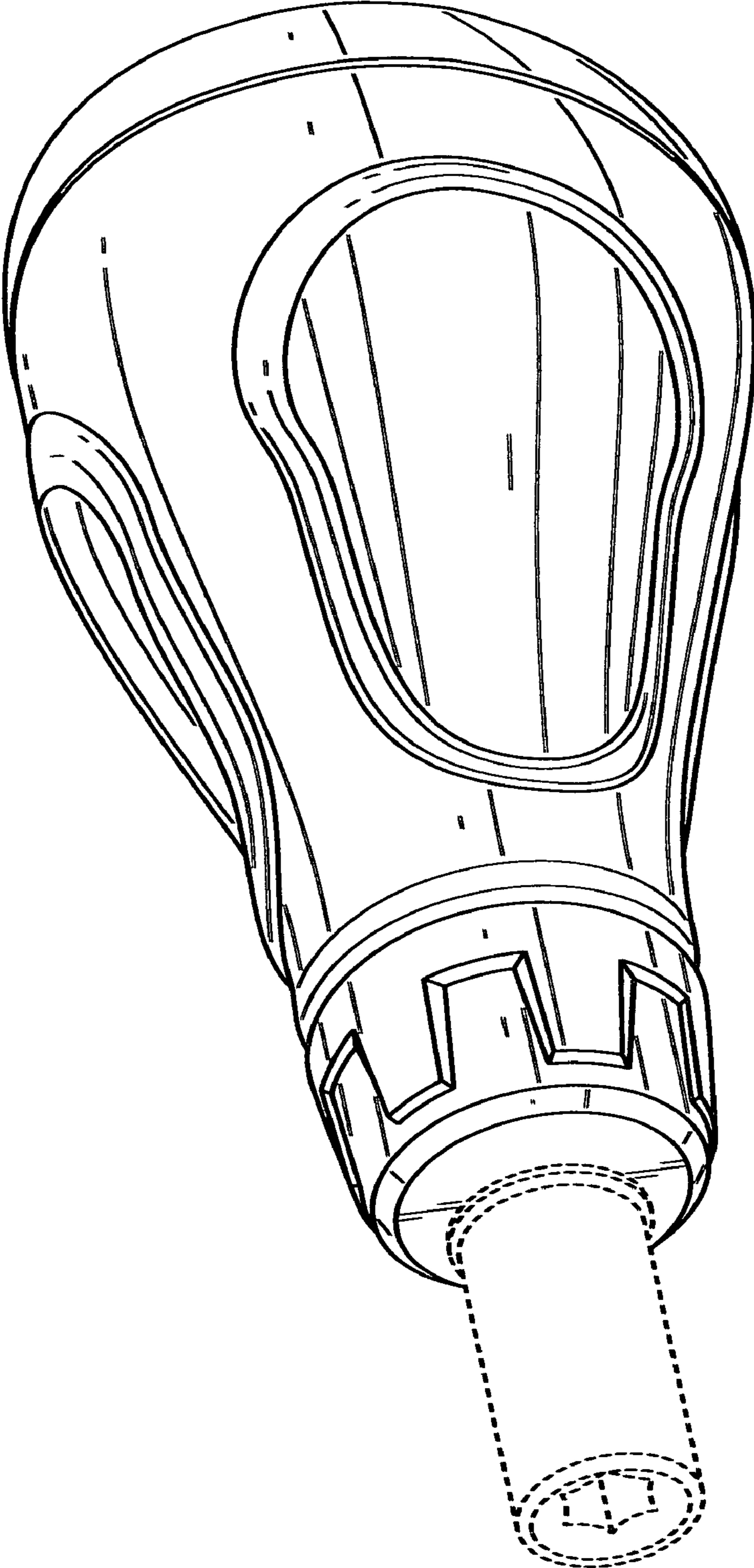


FIG. 1

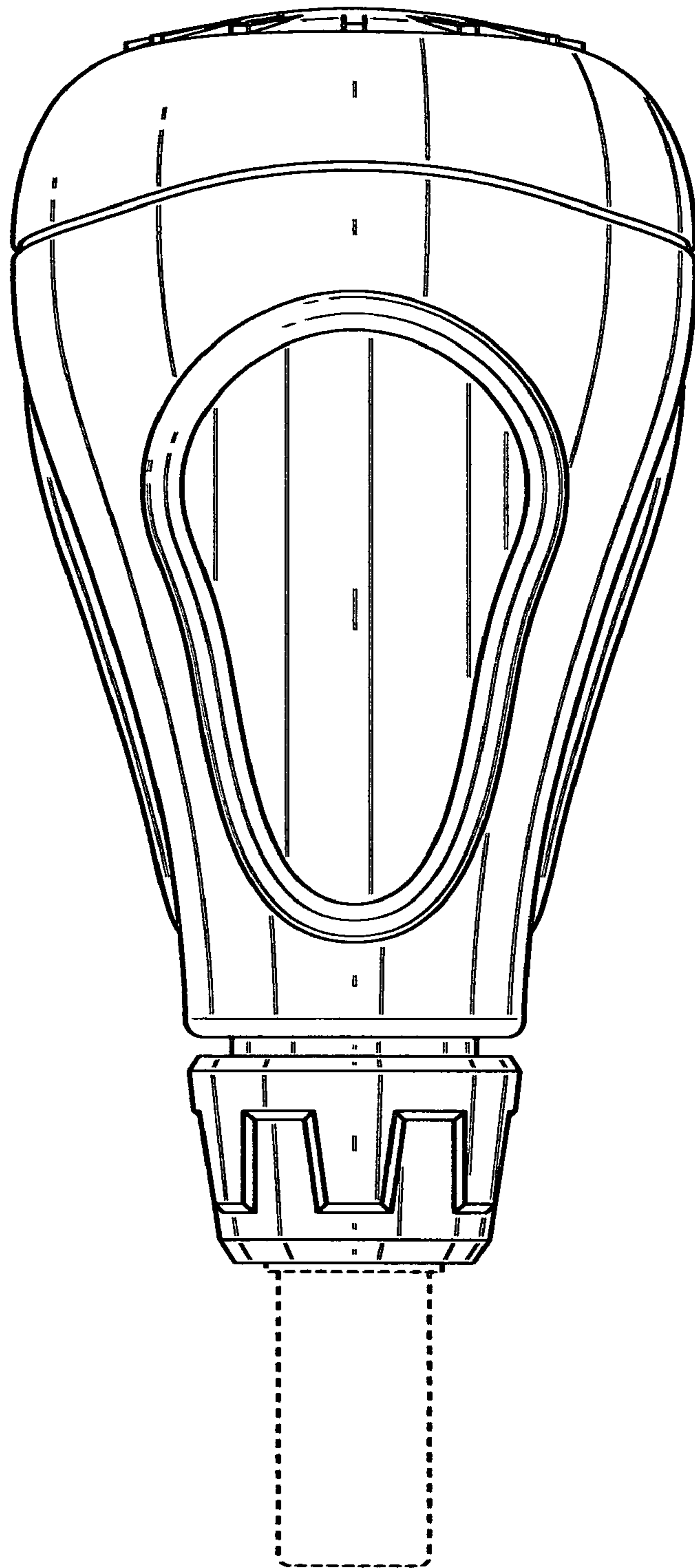


FIG. 2

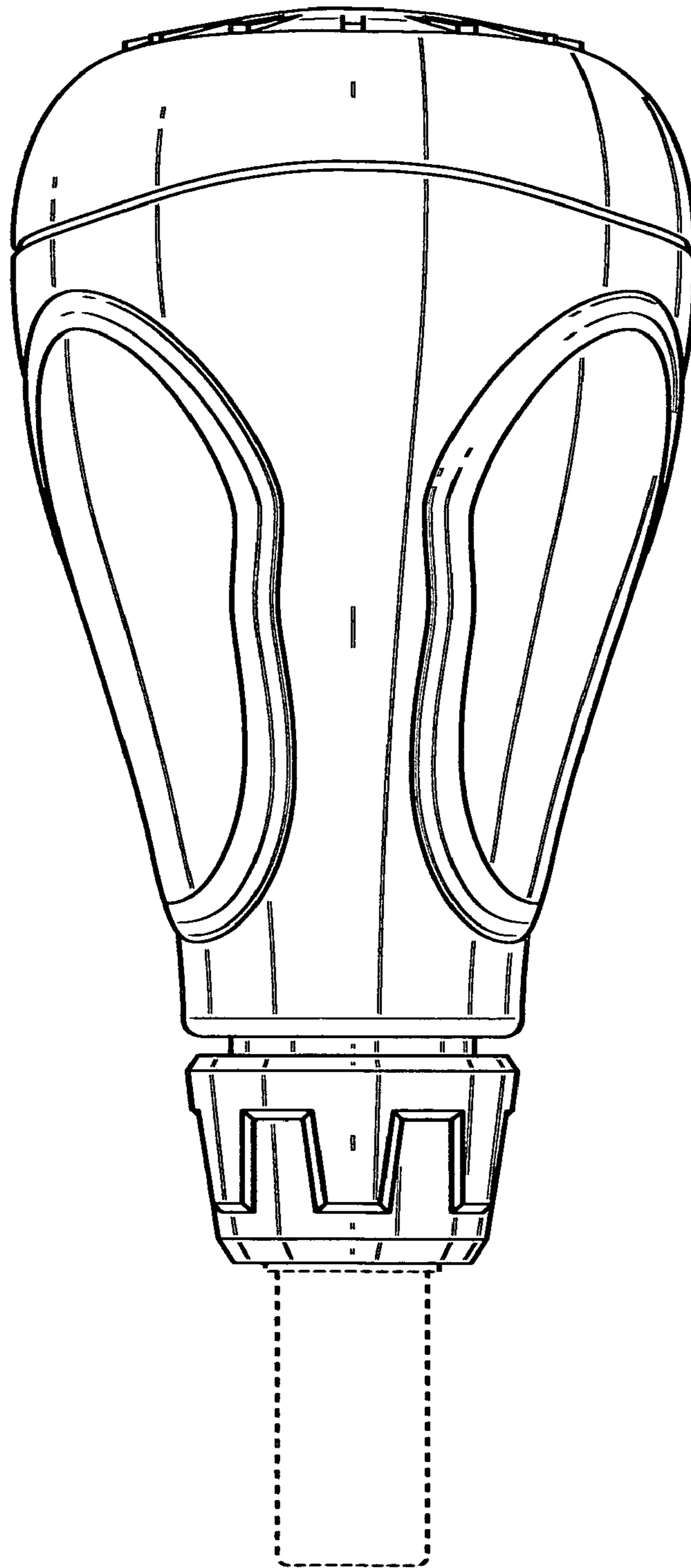


FIG. 3

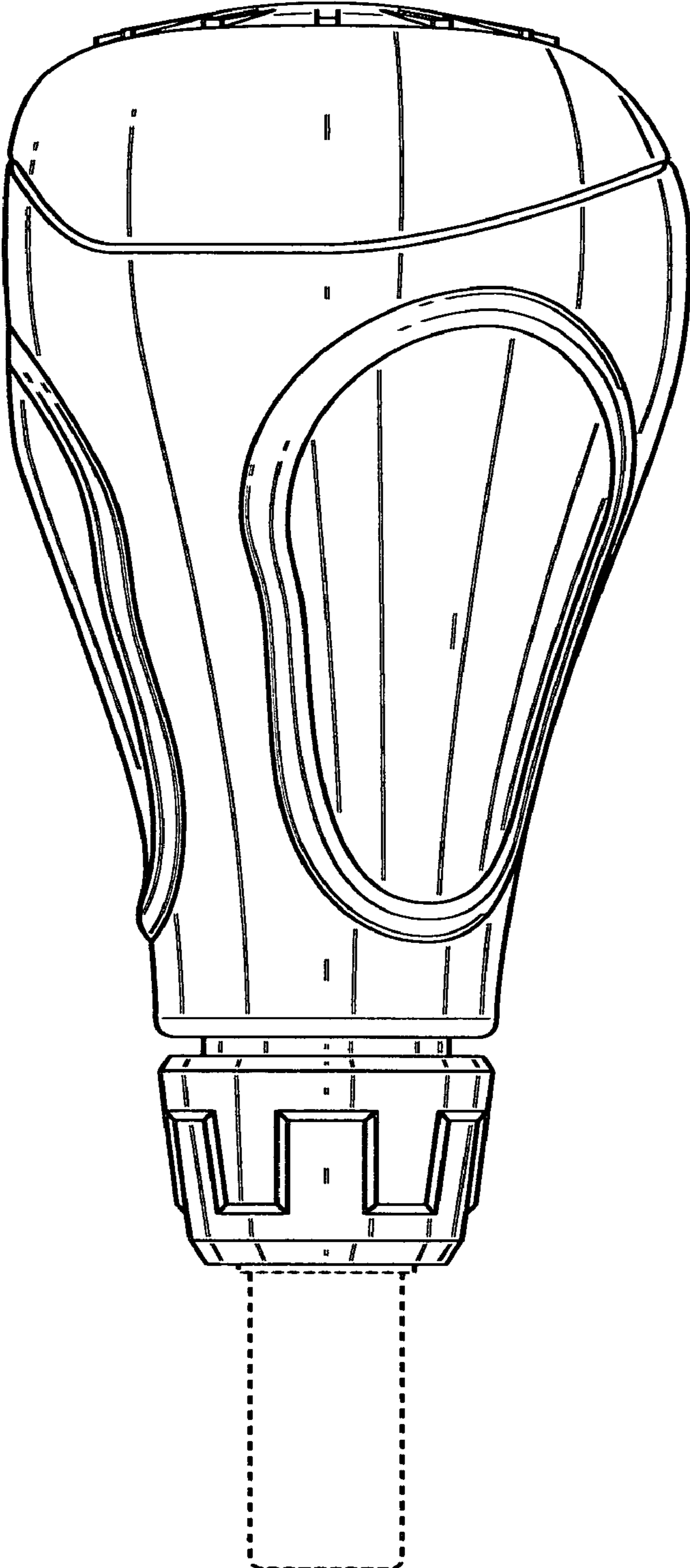


FIG. 4

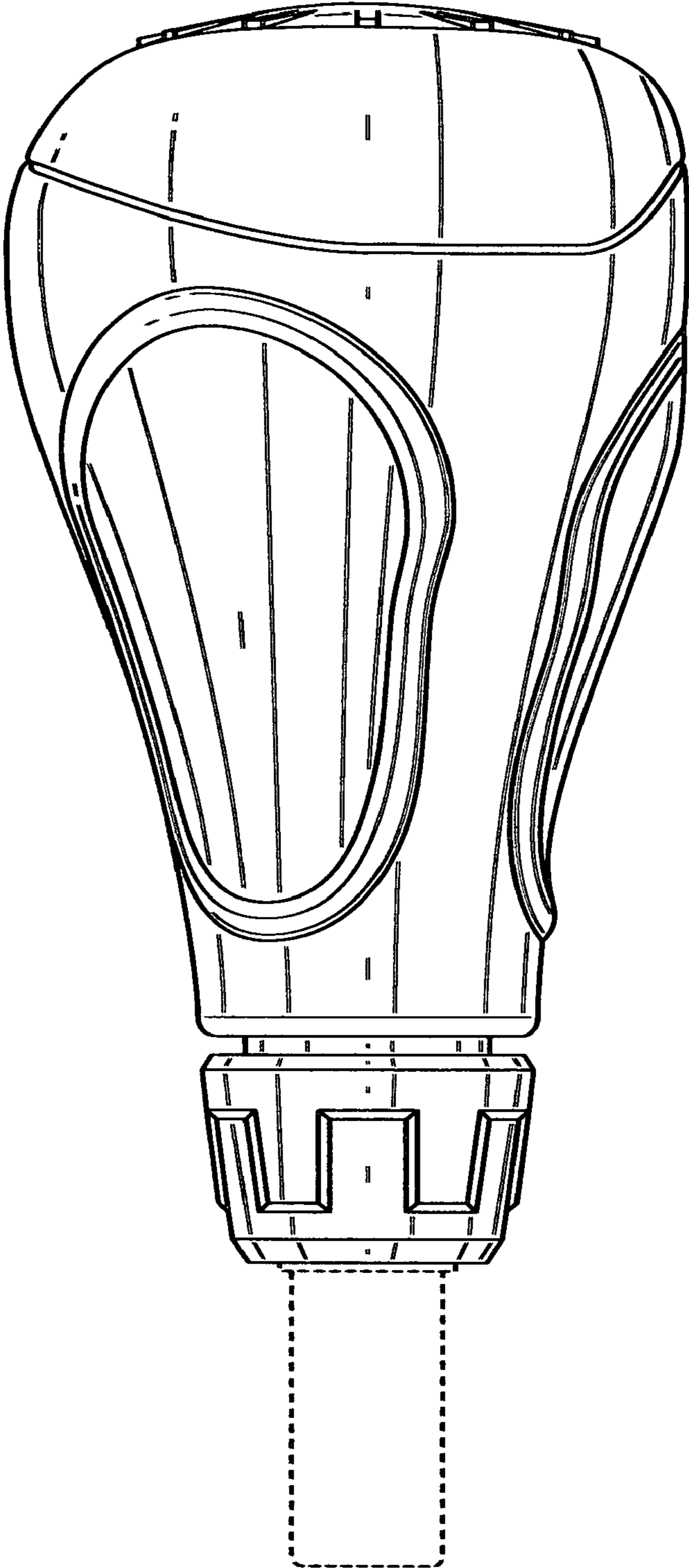


FIG. 5

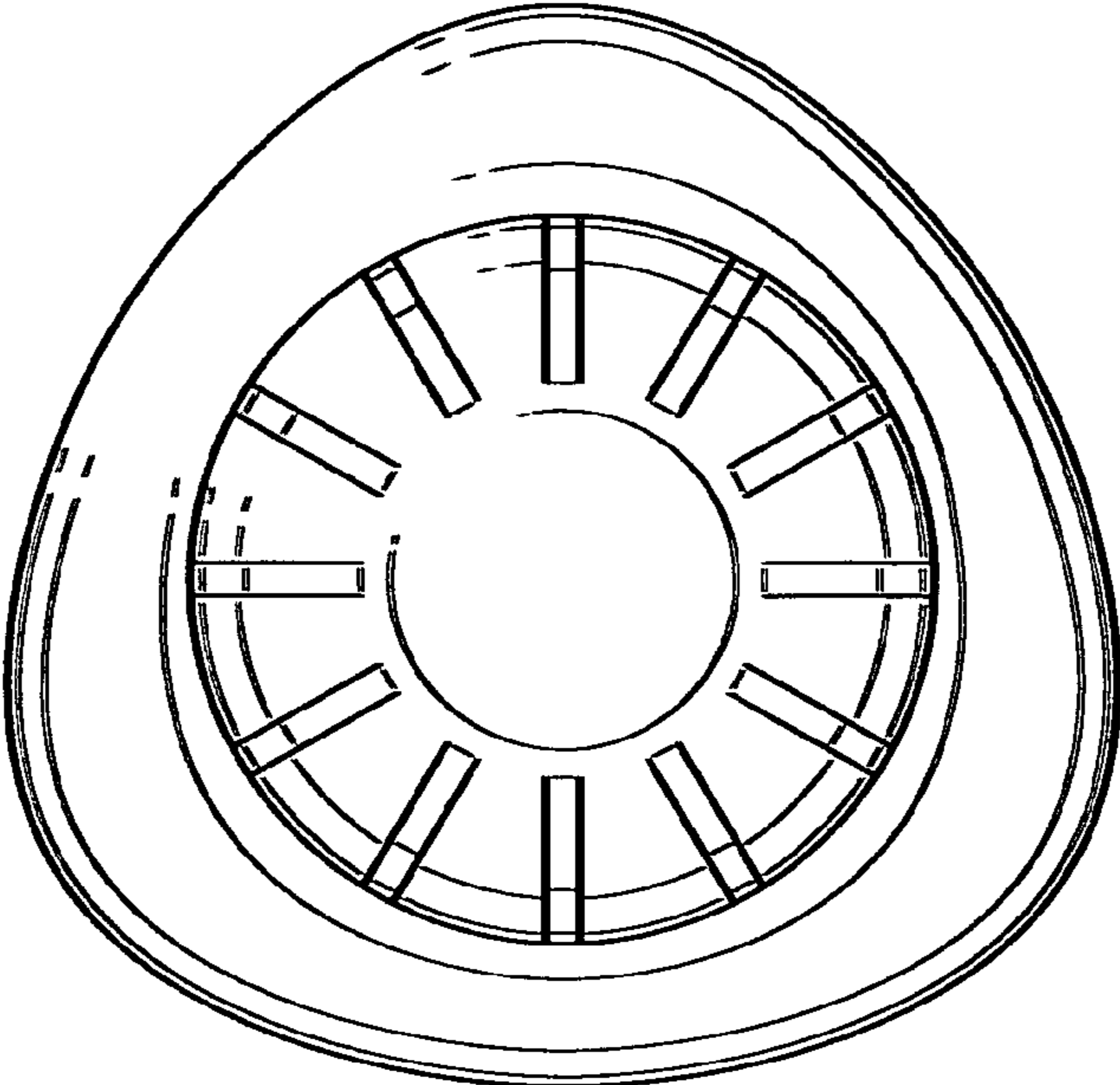


FIG. 6

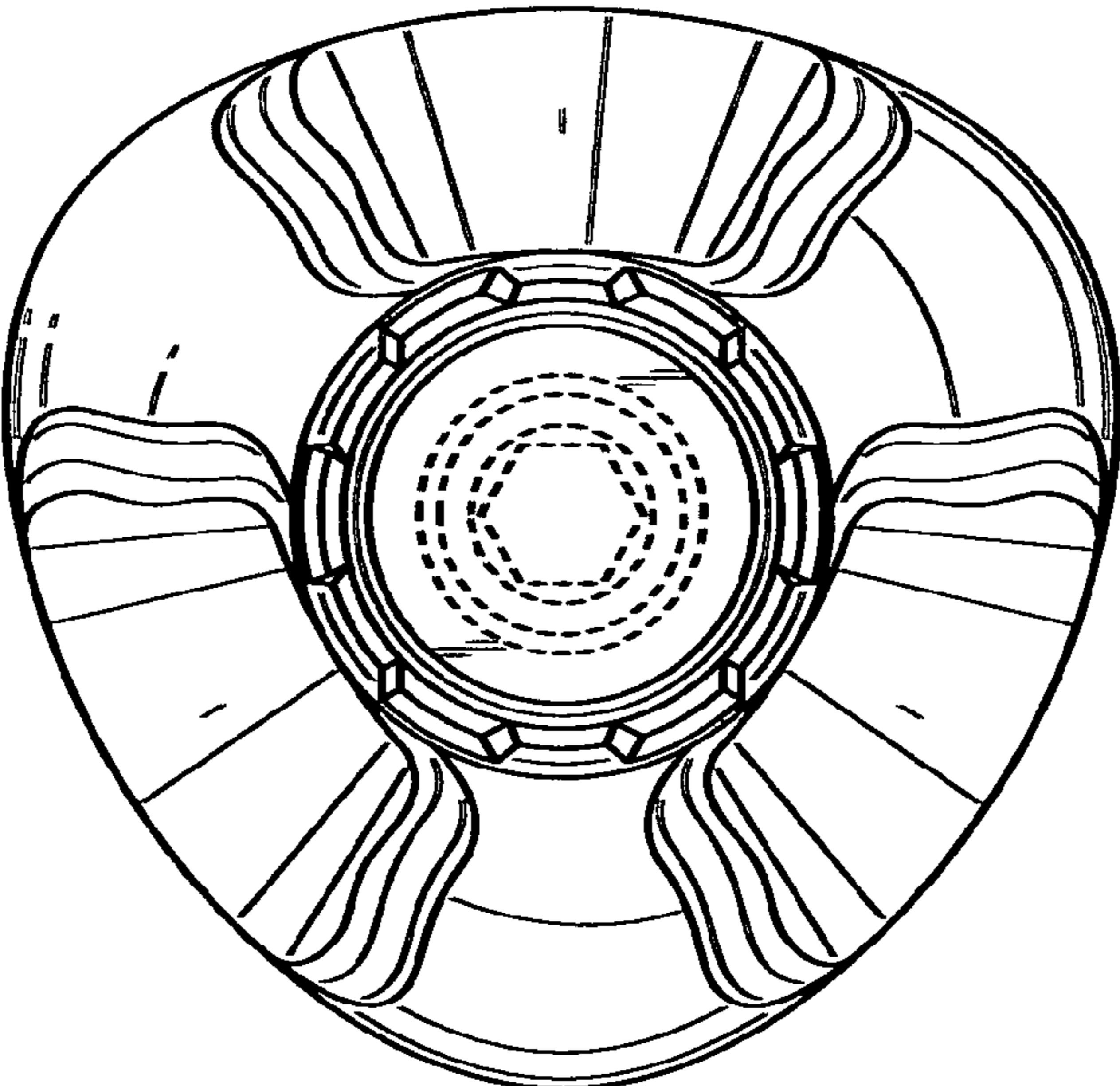


FIG. 7