



US00D646543S

(12) **United States Design Patent**
Galle

(10) **Patent No.:** **US D646,543 S**

(45) **Date of Patent:** **** Oct. 11, 2011**

(54) **CLAMP**

(75) **Inventor:** **Steffen Galle**, Cottbus (DE)

(73) **Assignee:** **Wacker Neuson SE**, Munich (DE)

(**) **Term:** **14 Years**

(21) **Appl. No.:** **29/366,966**

(22) **Filed:** **Aug. 2, 2010**

(30) **Foreign Application Priority Data**

Feb. 3, 2010 (EM) 001664764

(51) **LOC (9) Cl.** **08-05**

(52) **U.S. Cl.** **D8/74**

(58) **Field of Classification Search** D8/71-74,
D8/394-399, 354, 355, 356, 59; 248/62,
248/63, 72, 74.1, 689, 124.2; 81/487; 269/3,
269/4, 6, 143, 165, 240, 243, 246-249, 254 R,
269/147-149; 29/256, 257, 276; D15/140;
D24/143; 408/103, 104-109; D7/683, 685,
D7/686; D6/400

See application file for complete search history.

(56) **References Cited**

U.S. PATENT DOCUMENTS

3,051,473	A *	8/1962	Walter	D8/74
D286,609	S *	11/1986	Hickman et al.	D8/74
D287,457	S *	12/1986	Listes	D8/74
4,863,151	A *	9/1989	Justesen	D8/74
D355,114	S *	2/1995	Wizman	D8/71
D406,036	S *	2/1999	Flachslaender et al.	D8/74
D417,599	S *	12/1999	Wolfe et al.	D8/74
D437,200	S *	2/2001	Lavigne et al.	D8/74
6,361,034	B1 *	3/2002	Wolfe	269/247
6,930,272	B1 *	8/2005	Limano	269/240

D514,529	S *	2/2006	Yu et al.	D8/394
7,293,765	B2 *	11/2007	Hooper	269/246
D595,102	S *	6/2009	Francis et al.	D8/74

* cited by examiner

Primary Examiner — David Muller

(74) *Attorney, Agent, or Firm* — Boyle Fredrickson, S.C.

(57) **CLAIM**

The ornamental design for a clamp, as shown and described.

DESCRIPTION

FIG. 1 is an isometric view of a clamp incorporating my new design, viewed from above in front of, and from the left side of the clamp;

FIG. 2 is an isometric view of the clamp, viewed from below, behind, and from the left side of the clamp;

FIG. 3 is front elevation view thereof;

FIG. 4 is a rear elevation view thereof;

FIG. 5 is a left side elevation view thereof;

FIG. 6 is a right side elevation view thereof;

FIG. 7 is a top plan view thereof;

FIG. 8 is a bottom plan view thereof;

FIG. 9 is an isometric view of an alternative embodiment of a clamp incorporating my new design, viewed from above in front of, and from the left side of the clamp;

FIG. 10 is an isometric view of the clamp of FIG. 9, viewed from below, behind, and from the left side of the clamp;

FIG. 11 is front elevation view thereof;

FIG. 12 is a rear elevation view thereof;

FIG. 13 is a left side elevation view thereof;

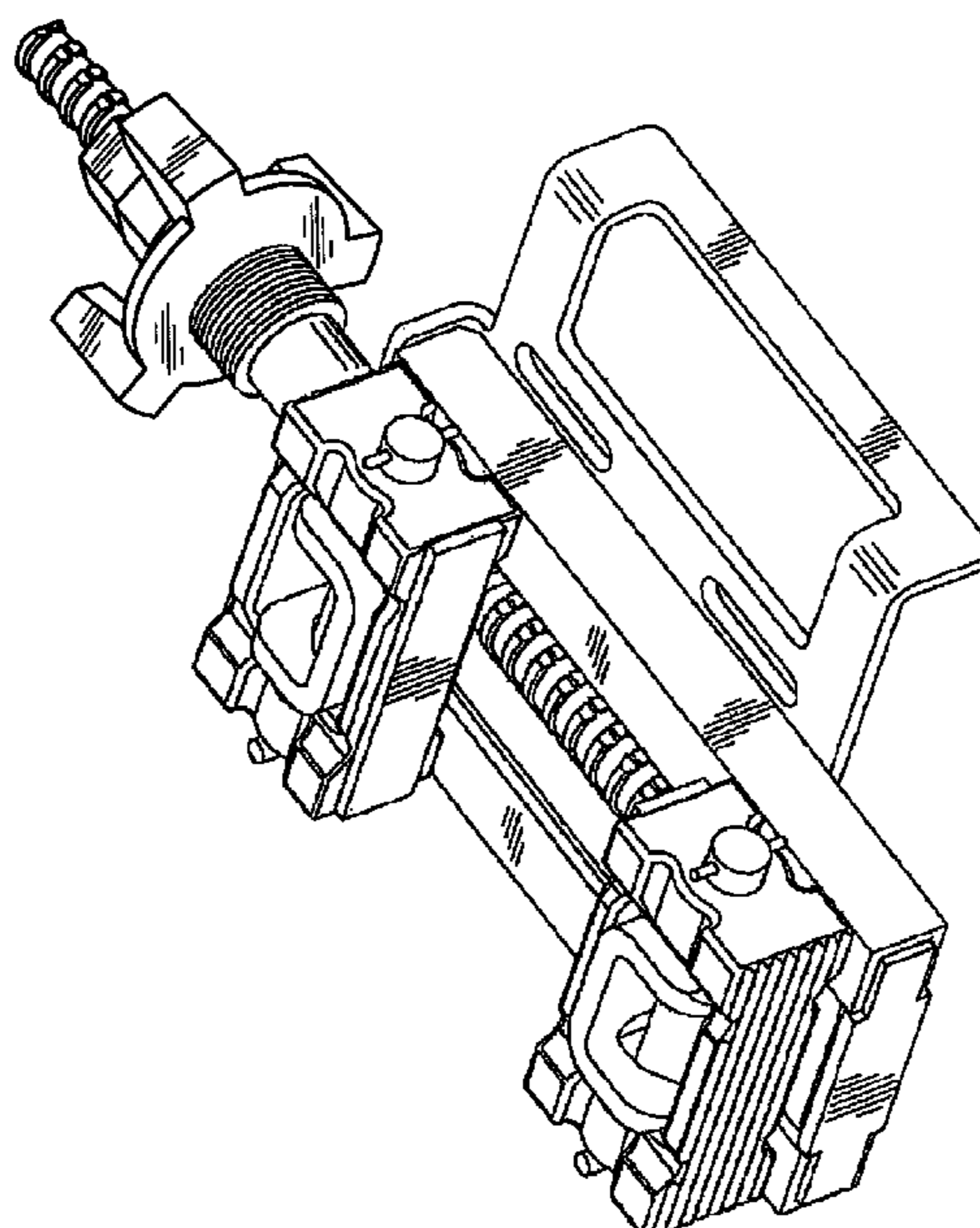
FIG. 14 is a right side elevation view thereof;

FIG. 15 is a top plan view thereof; and,

FIG. 16 is a bottom plan view thereof.

The broken line showing of parts of the drawings is included for the purpose of illustrating use and environment and forms no part of the claimed design.

1 Claim, 16 Drawing Sheets



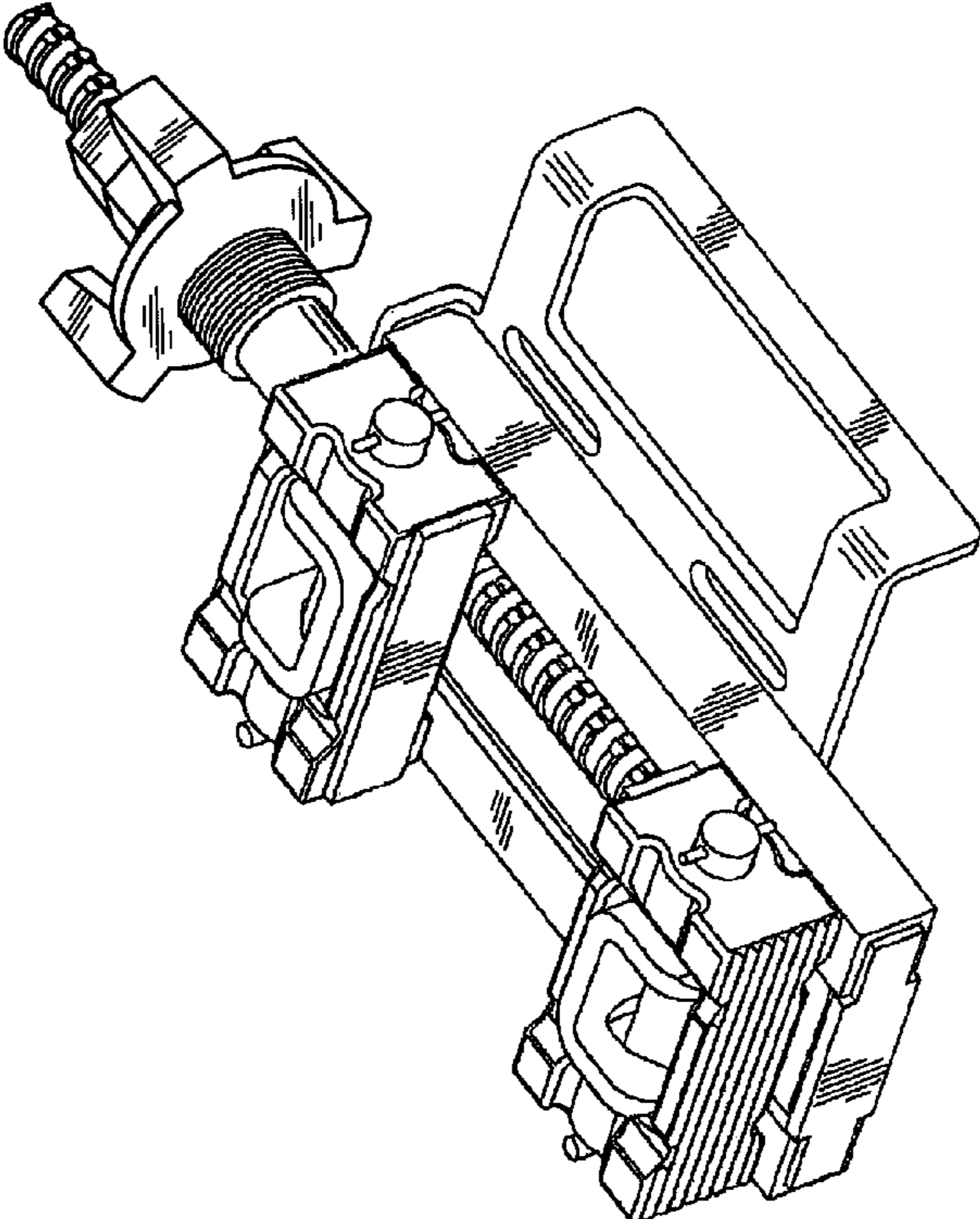


FIG. 1

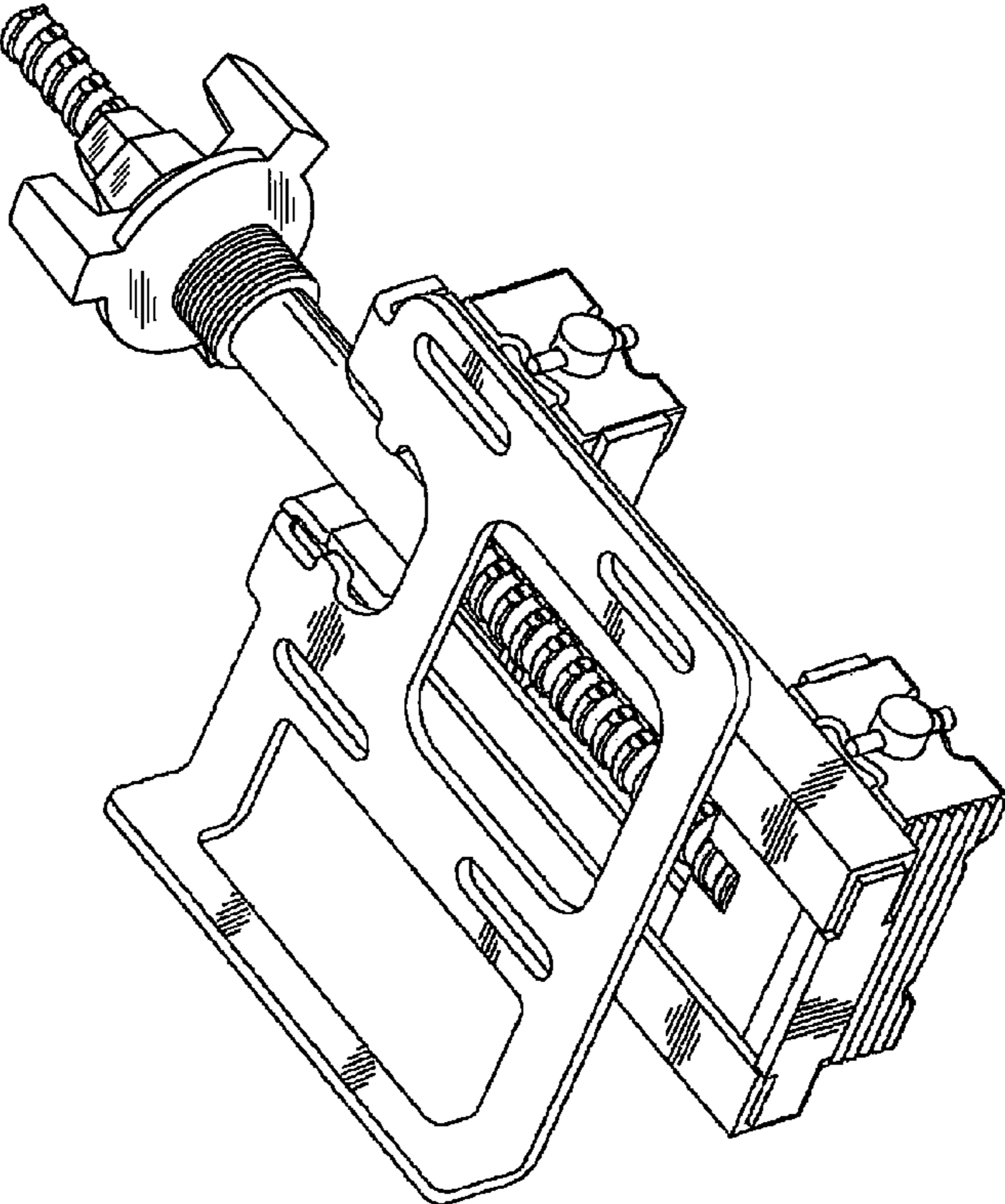


FIG. 2

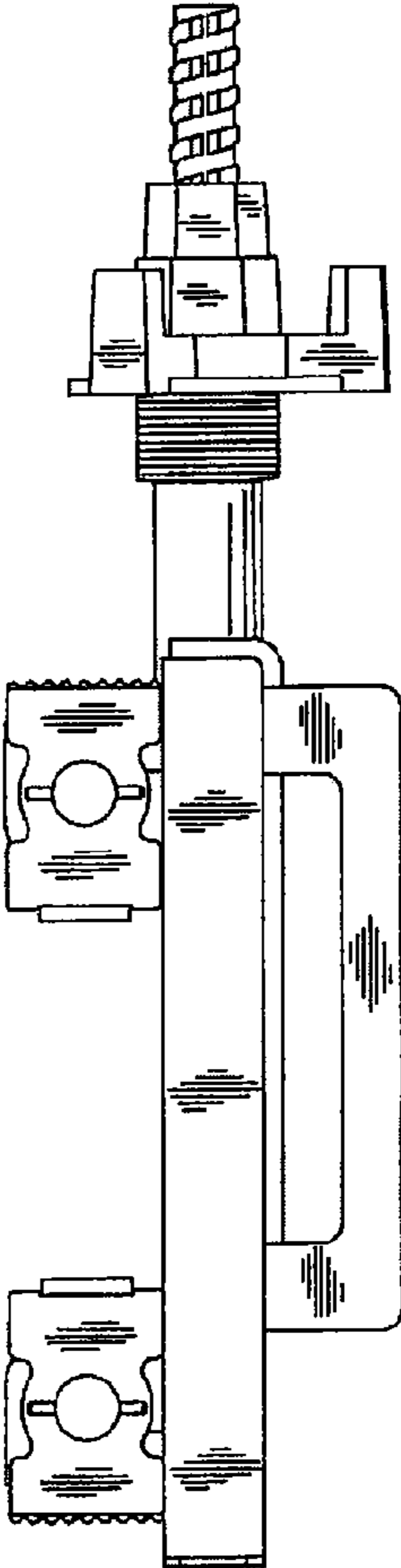


FIG. 3

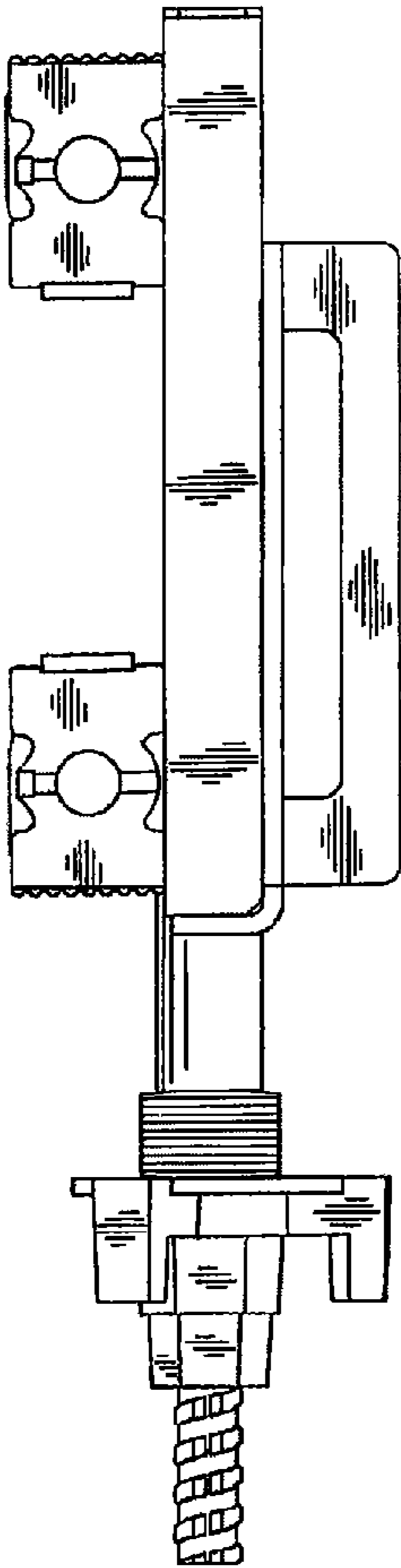


FIG. 4

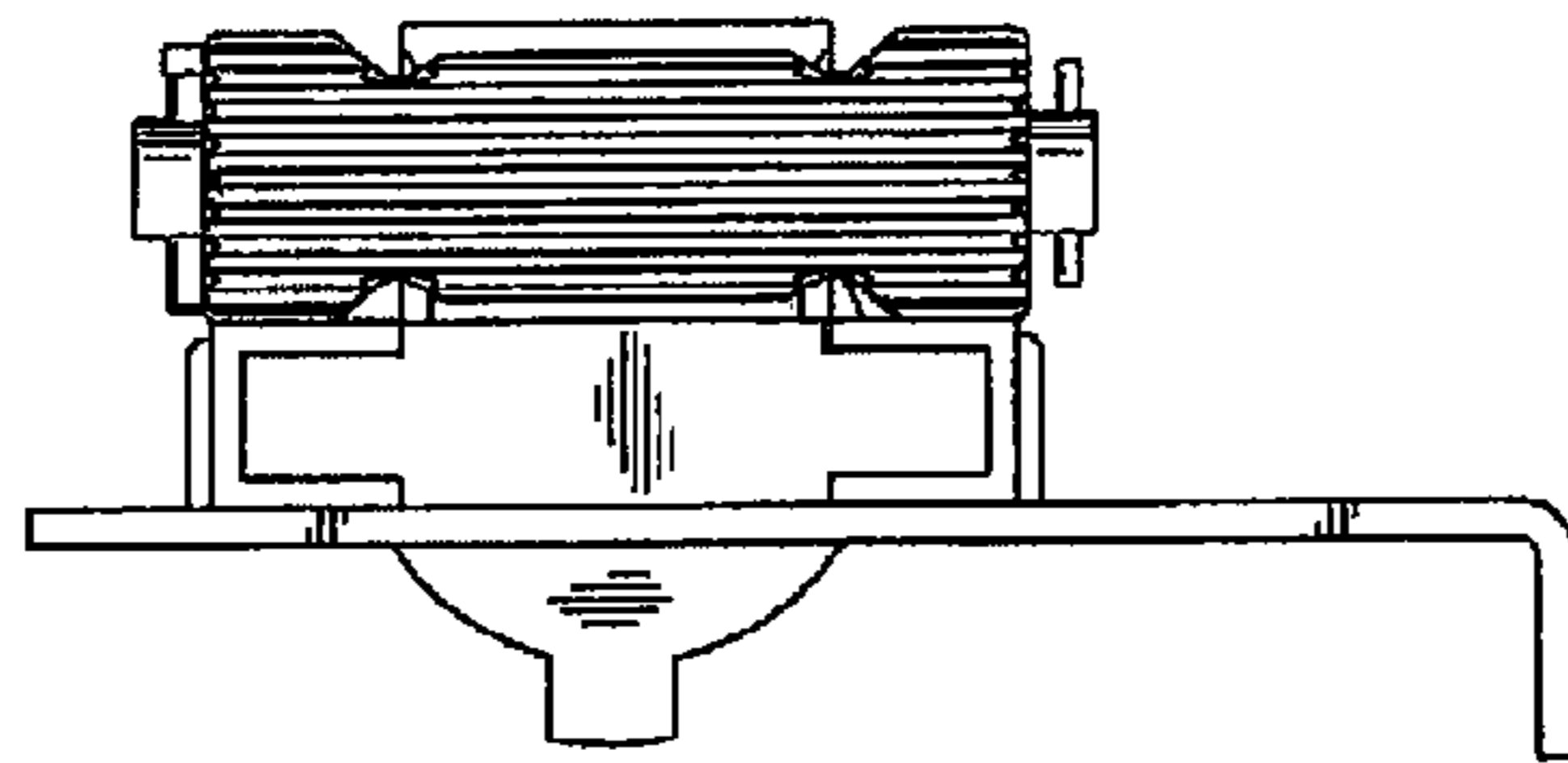


FIG. 5

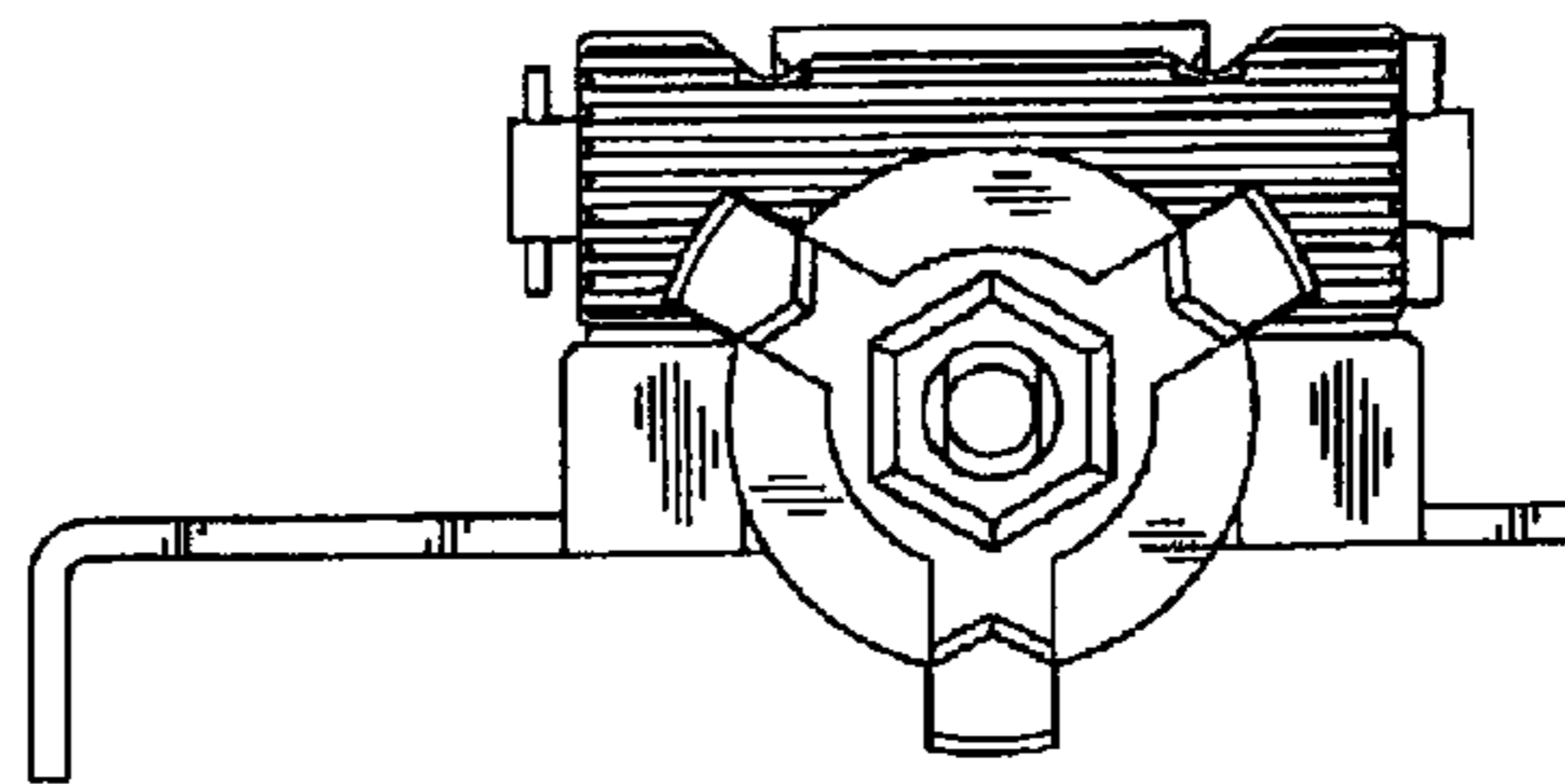


FIG. 6

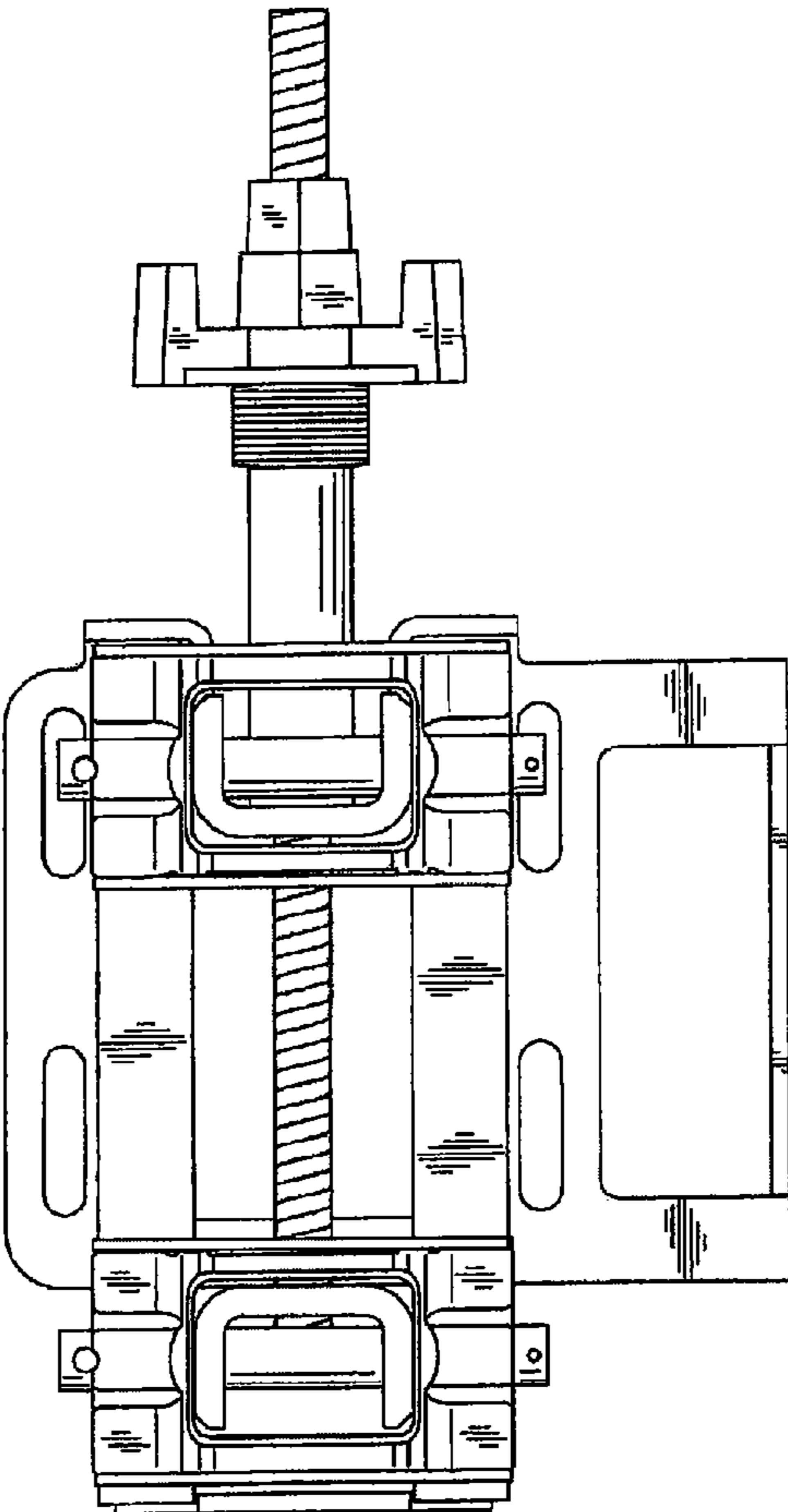


FIG. 7

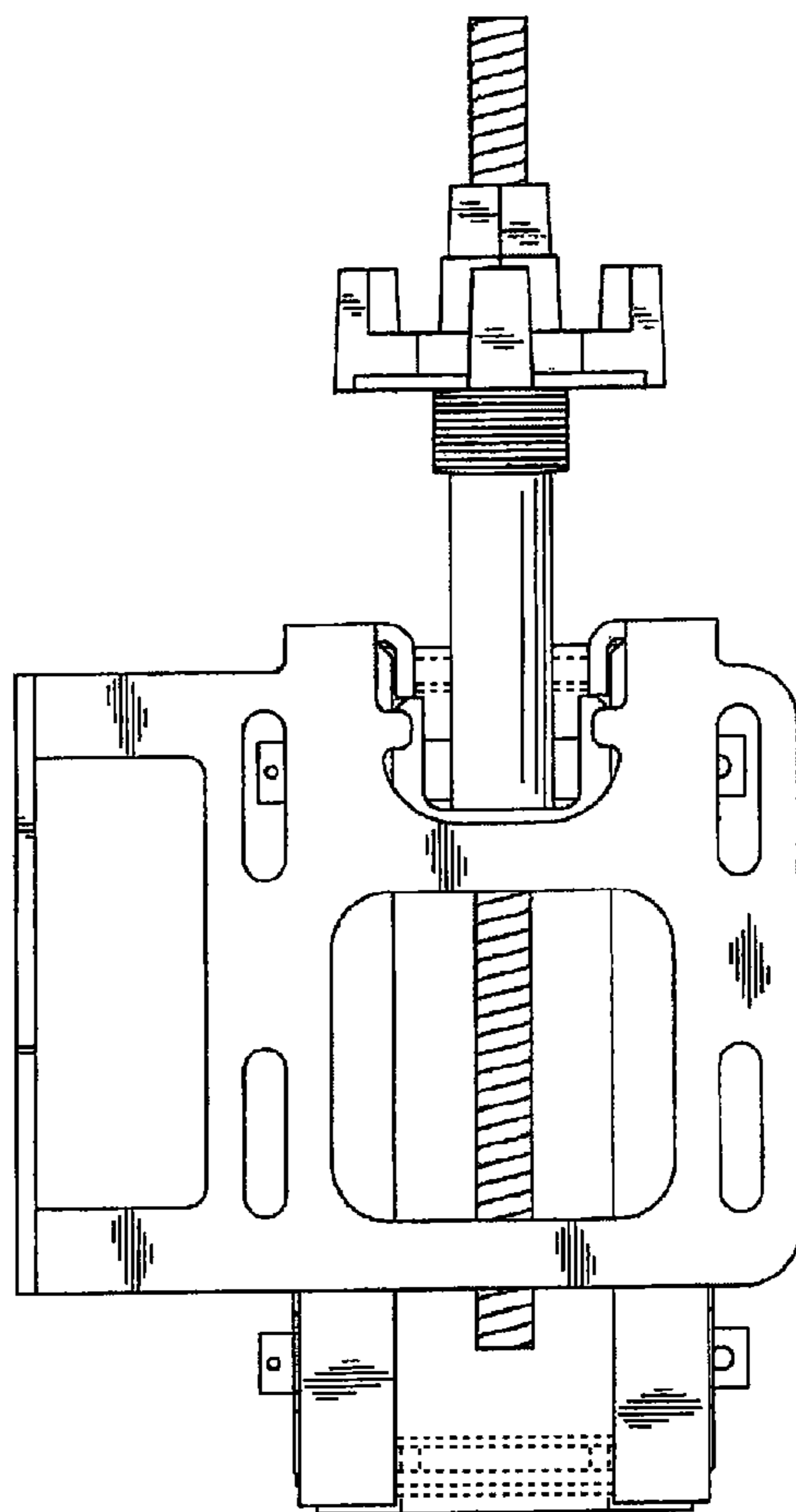


FIG. 8

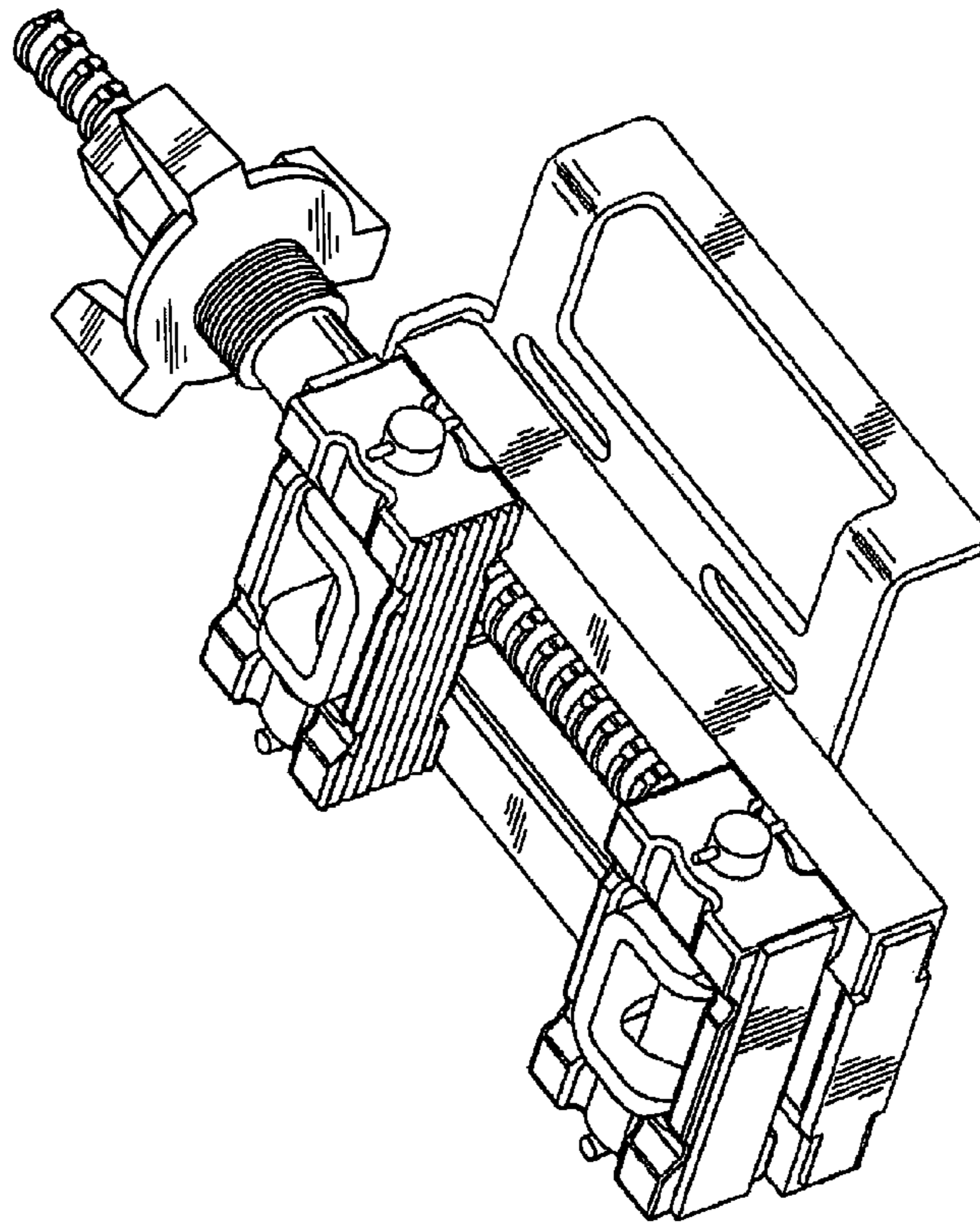


FIG. 9

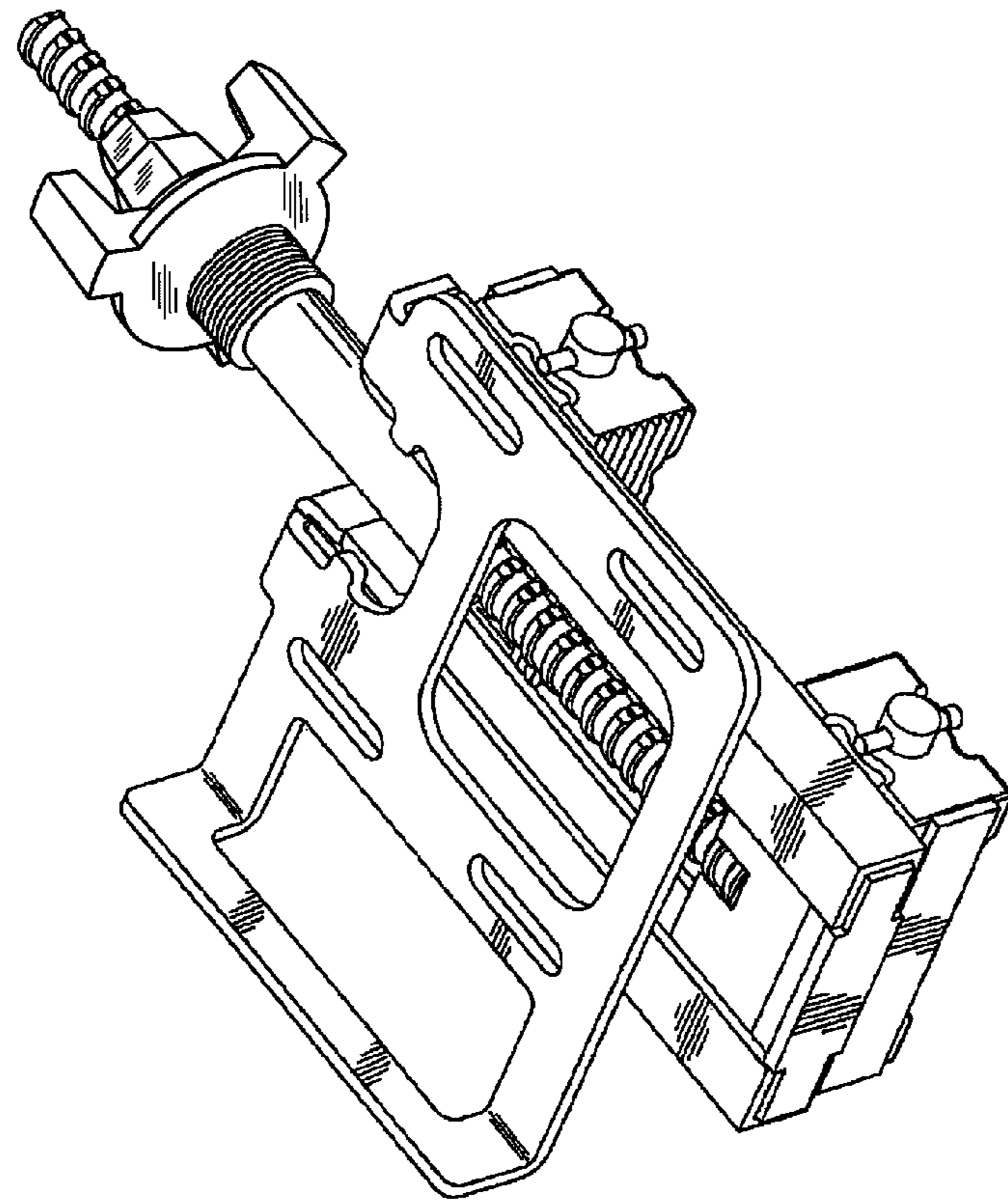


FIG. 10

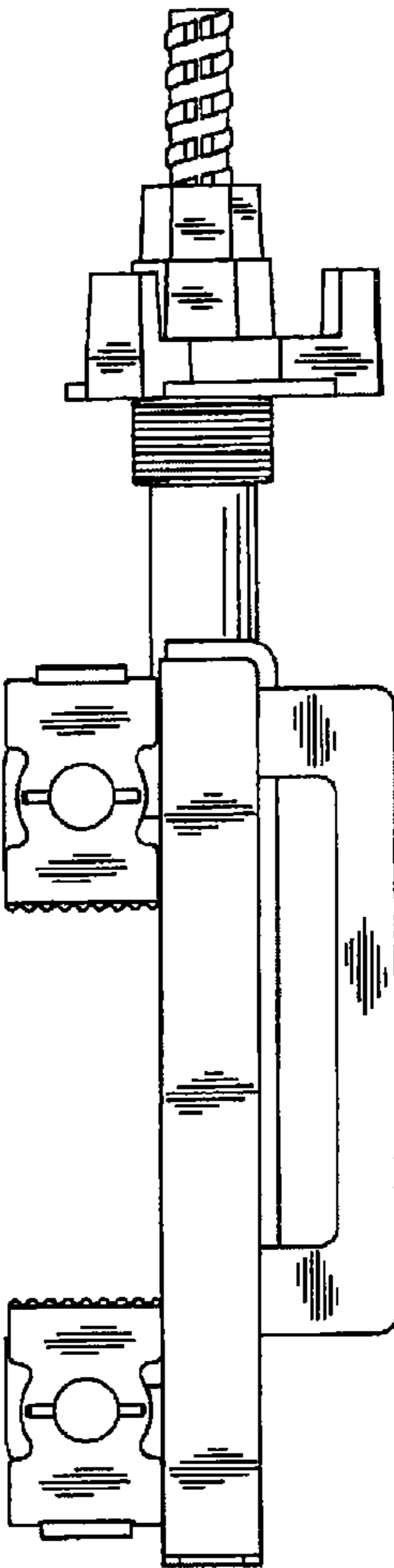


FIG. 11

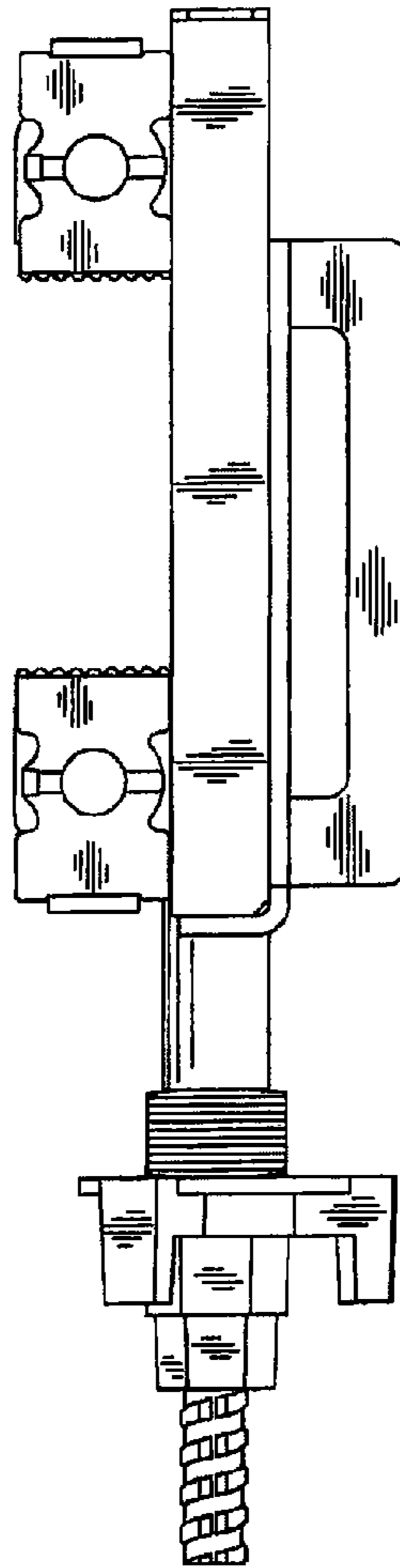


FIG. 12

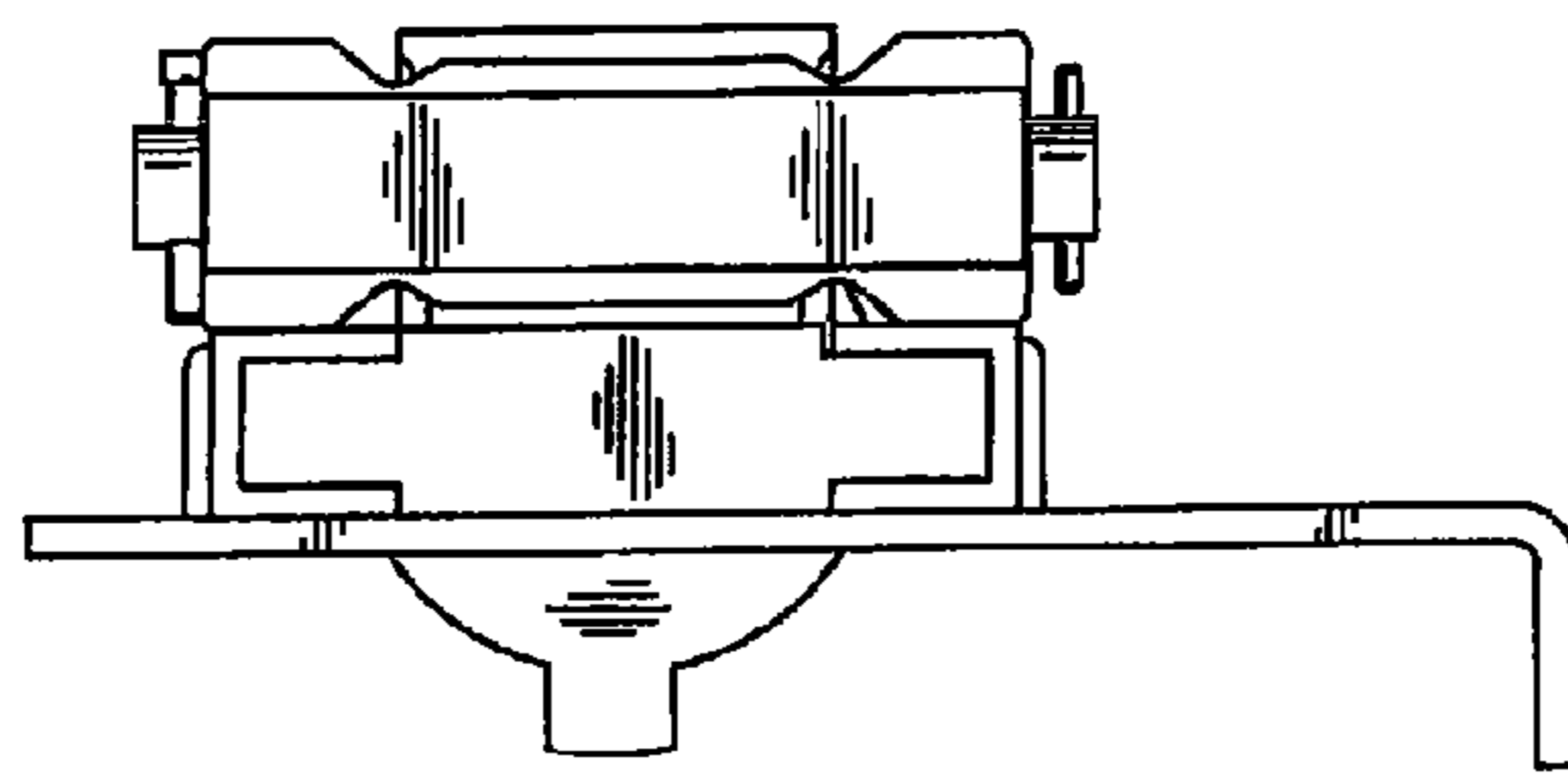


FIG. 13

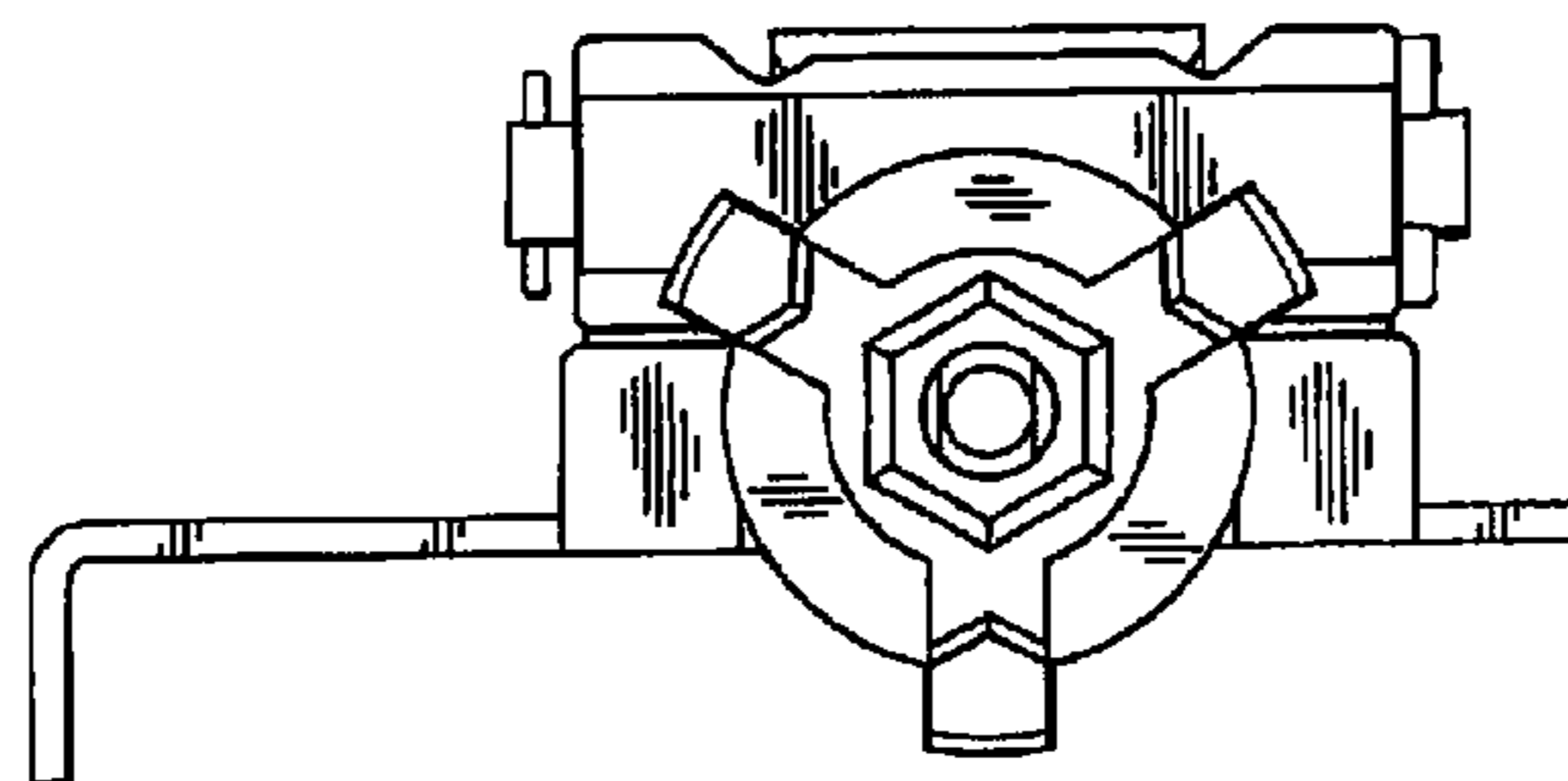


FIG. 14

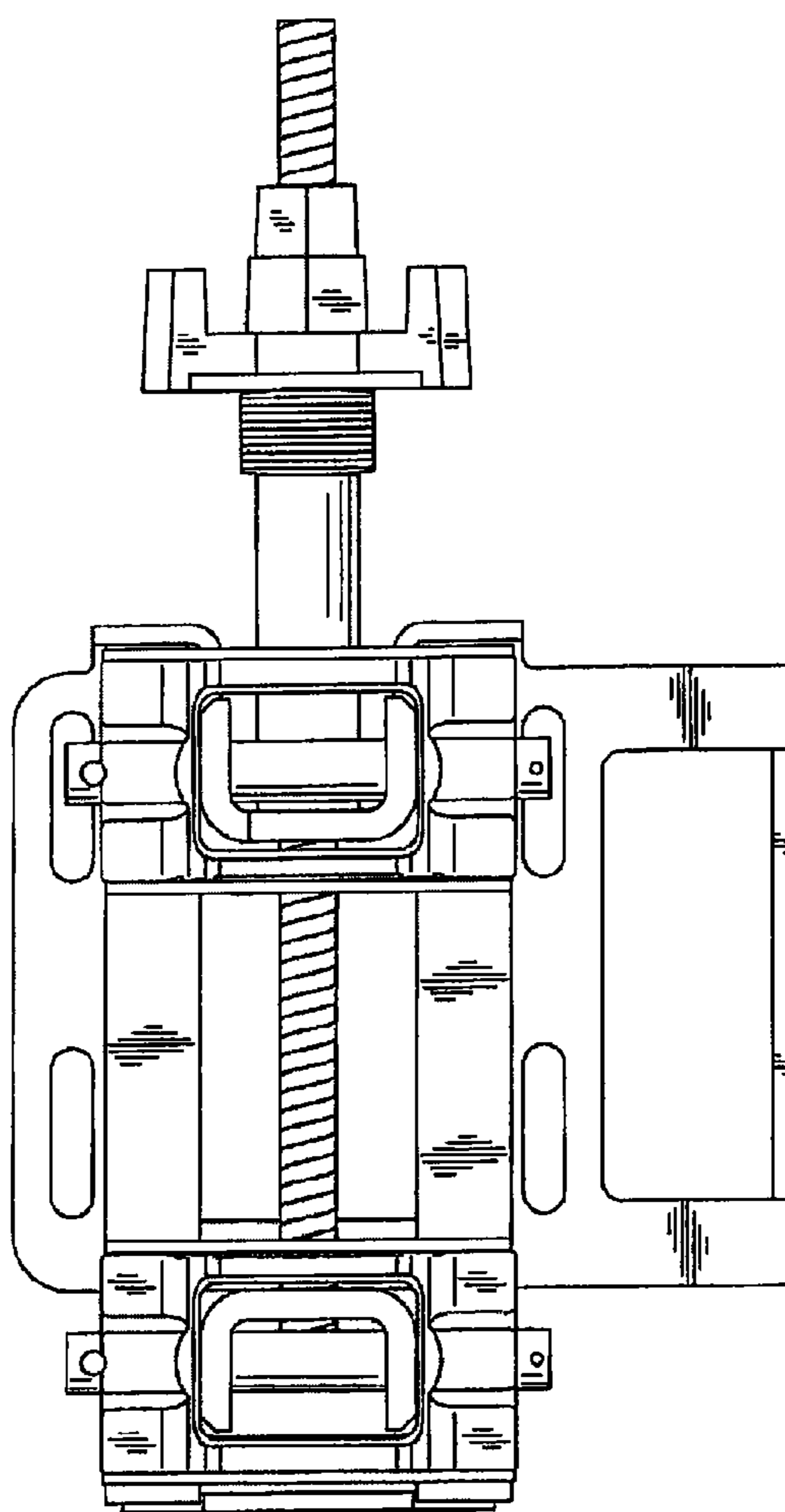


FIG. 15

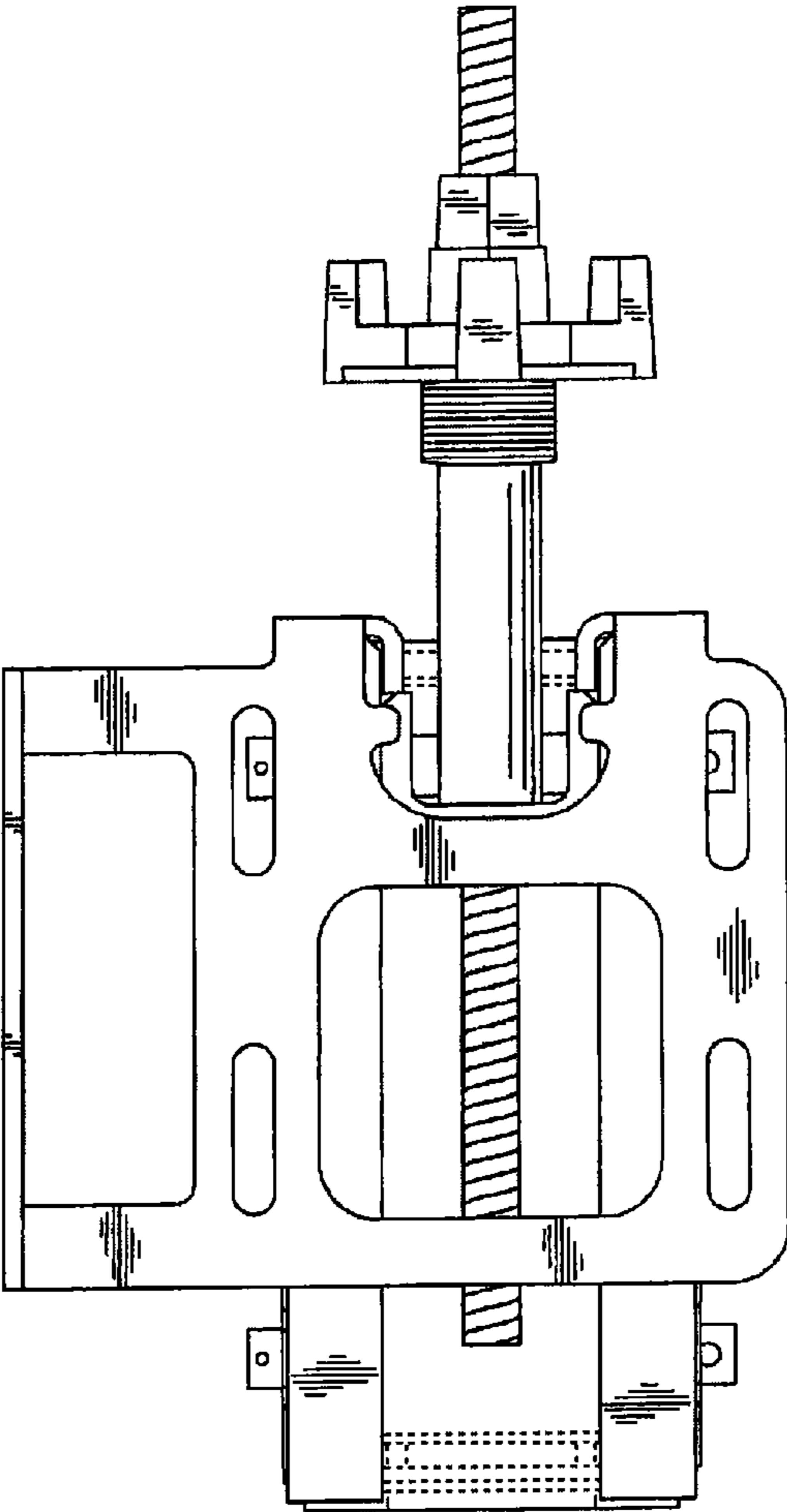


FIG. 16