



US00D646541S

(12) **United States Design Patent**
Andresen

(10) **Patent No.:** **US D646,541 S**

(45) **Date of Patent:** **** Oct. 11, 2011**

(54) **ROUTER FENCE**

(76) Inventor: **Thomas A. Andresen**, West Wareham,
MA (US)

(**) Term: **14 Years**

(21) Appl. No.: **29/372,299**

(22) Filed: **Nov. 4, 2010**

(51) **LOC (9) Cl.** **08-05**

(52) **U.S. Cl.** **D8/70; D15/133; D15/140**

(58) **Field of Classification Search** D8/70,
D8/71; D15/133, 140; 83/68.7; 144/135.2,
144/137, 253.1, 253.2, 253.5, 371; 269/303;
409/137

See application file for complete search history.

(56) **References Cited**

U.S. PATENT DOCUMENTS

| | | | | |
|-----------|-----|---------|---------------|-----------|
| 1,245,821 | A | 11/1917 | Thompson | |
| 2,771,920 | A | 11/1956 | Ambelang | |
| 3,028,888 | A | 4/1962 | Chapin et al. | |
| 3,082,799 | A | 3/1963 | Kennedy | |
| 3,710,833 | A * | 1/1973 | Hammer et al. | 144/135.2 |
| 4,768,571 | A * | 9/1988 | Aigner | 144/253.2 |
| D298,040 | S | 10/1988 | Legler et al. | |
| D333,768 | S * | 3/1993 | Schulenberg | D8/71 |
| D340,465 | S * | 10/1993 | Guertin | D15/140 |

| | | | | |
|--------------|------|---------|--------------------|-----------|
| 5,325,900 | A | 7/1994 | Garuglieri | |
| 5,367,933 | A | 11/1994 | Jaksha | |
| D380,219 | S * | 6/1997 | Kinnard | D15/140 |
| 5,967,717 | A | 10/1999 | Tucker et al. | |
| 6,520,225 | B1 | 2/2003 | Dembicks | |
| RE38,612 | E | 10/2004 | Tucker et al. | |
| D512,893 | S | 12/2005 | Cowan | |
| 7,909,072 | B2 * | 3/2011 | Lei et al. | 144/253.8 |
| 2005/0139056 | A1 | 6/2005 | Gass et al. | |
| 2008/0127794 | A1 | 6/2008 | Jaksha | |
| 2008/0271583 | A1 | 11/2008 | Chuang | |
| 2009/0050235 | A1 | 2/2009 | Sommerville et al. | |

* cited by examiner

Primary Examiner — Antoine D Davis

(74) *Attorney, Agent, or Firm* — John P. McGonagle

(57) **CLAIM**

The ornamental design for an router fence, as shown and described.

DESCRIPTION

FIG. 1 is a front perspective view of a router fence embodying my new design;

FIG. 2 is a bottom view thereof;

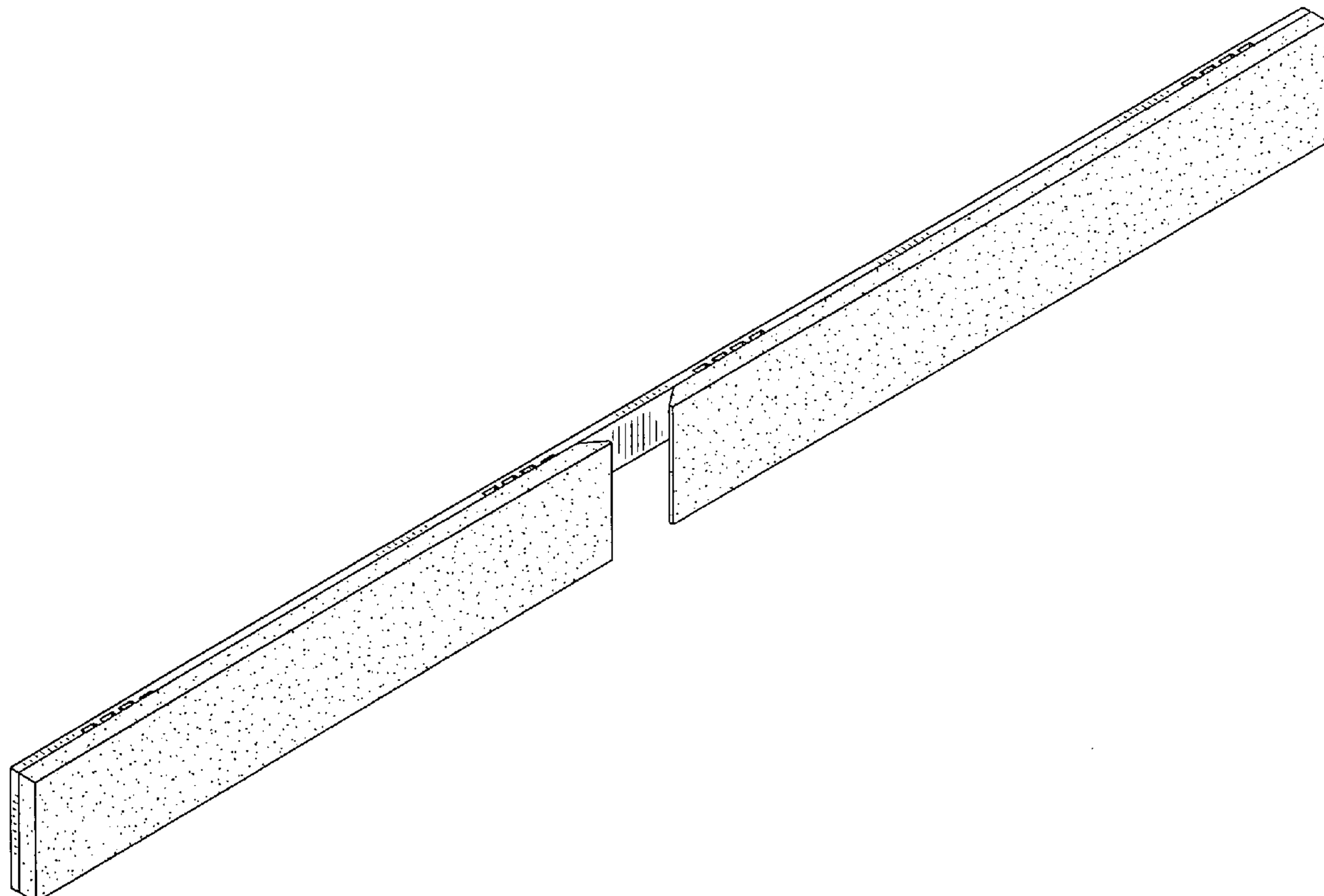
FIG. 3 is a front view thereof;

FIG. 4 is a top view thereof;

FIG. 5 is a rear view thereof; and,

FIG. 6 is a left side view thereof, the opposite side being a mirror image thereof.

1 Claim, 2 Drawing Sheets



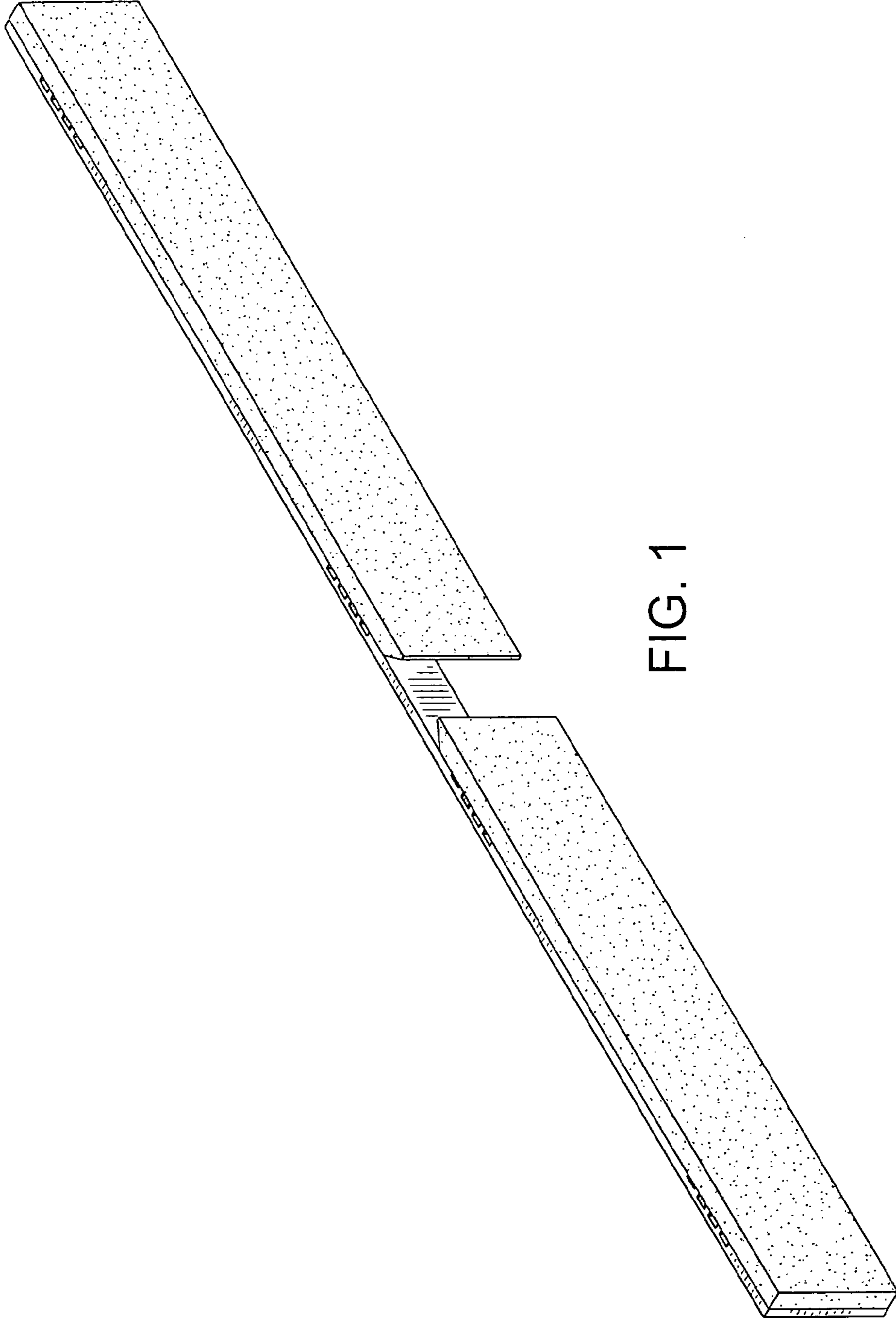


FIG. 1



FIG. 2

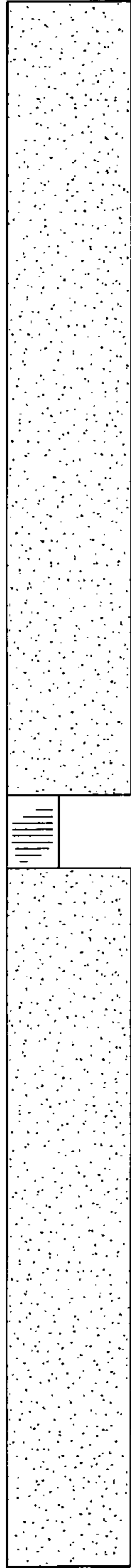


FIG. 3

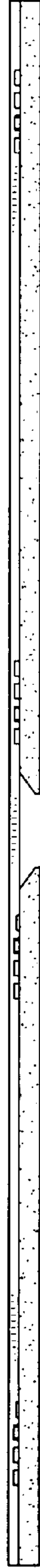


FIG. 4

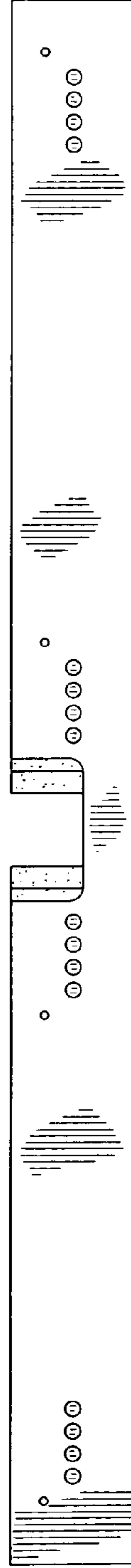


FIG. 5

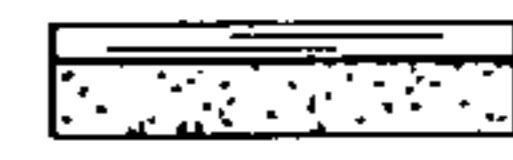


FIG. 6