



US00D646538S

(12) **United States Design Patent**  
**Mullen**

(10) **Patent No.:** **US D646,538 S**

(45) **Date of Patent:** **\*\* Oct. 11, 2011**

(54) **POWER DRILL**

(75) Inventor: **Darren Mullen**, Somerset (GB)

(73) Assignee: **Power Box AG**, Zug (CH)

(\*\*) Term: **14 Years**

(21) Appl. No.: **29/381,924**

(22) Filed: **Dec. 27, 2010**

(30) **Foreign Application Priority Data**

Dec. 3, 2010 (EM) ..... 001789082-0001

(51) **LOC (9) Cl.** ..... **08-04**

(52) **U.S. Cl.** ..... **D8/68**

(58) **Field of Classification Search** ..... D8/61-70;  
81/57.11, 429, 454-456, 469, 489; 173/13,  
173/46, 104, 114, 167-173, 178, 201, 211,  
173/213, 214, 217, 198; 227/8, 113, 114,  
227/120, 130, 136, 142; 310/50; 408/20,  
408/35, 117, 124, 125, 234, 241 R, 58, 67;  
451/358; 7/158, 165

See application file for complete search history.

(56) **References Cited**

U.S. PATENT DOCUMENTS

D605,486 S *	12/2009	Aglassinger .....	D8/68
D611,319 S *	3/2010	Van Wambeke et al. ....	D8/68
D617,621 S *	6/2010	Houghton et al. ....	D8/68
D618,975 S *	7/2010	Yamamoto .....	D8/68
D626,394 S *	11/2010	Lopano .....	D8/68

\* cited by examiner

*Primary Examiner* — Antoine D Davis

(74) *Attorney, Agent, or Firm* — Head, Johnson & Kachigian, P.C.

(57) **CLAIM**

The ornamental design for a power drill, as shown and described.

**DESCRIPTION**

FIG. 1 is a bottom view of a power drill showing my new design;

FIG. 2 is a left side view thereof;

FIG. 3 is a rear view thereof;

FIG. 4 is a front view thereof;

FIG. 5 is a top view thereof; and,

FIG. 6 is a right side view thereof.

**1 Claim, 6 Drawing Sheets**

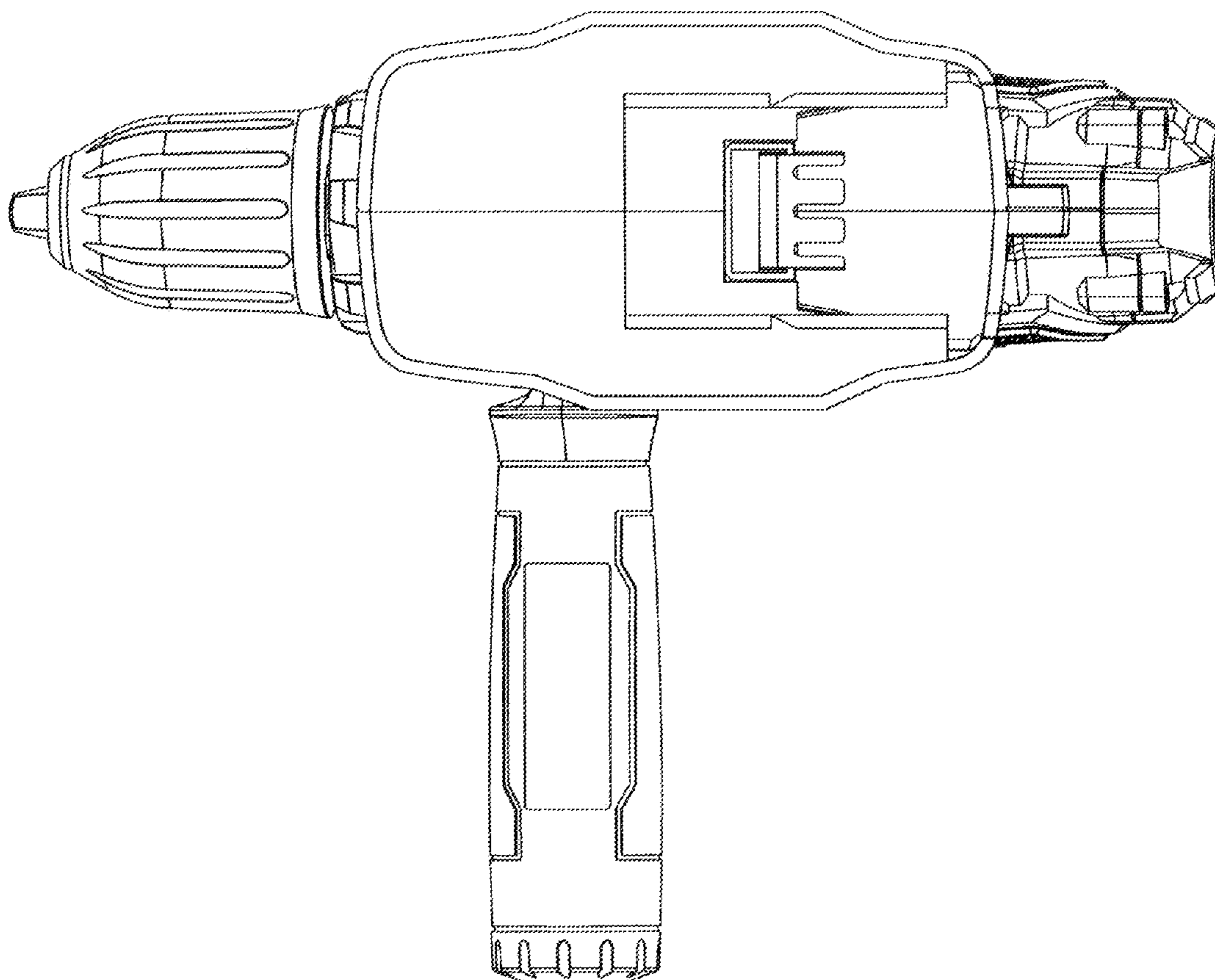


FIGURE 1

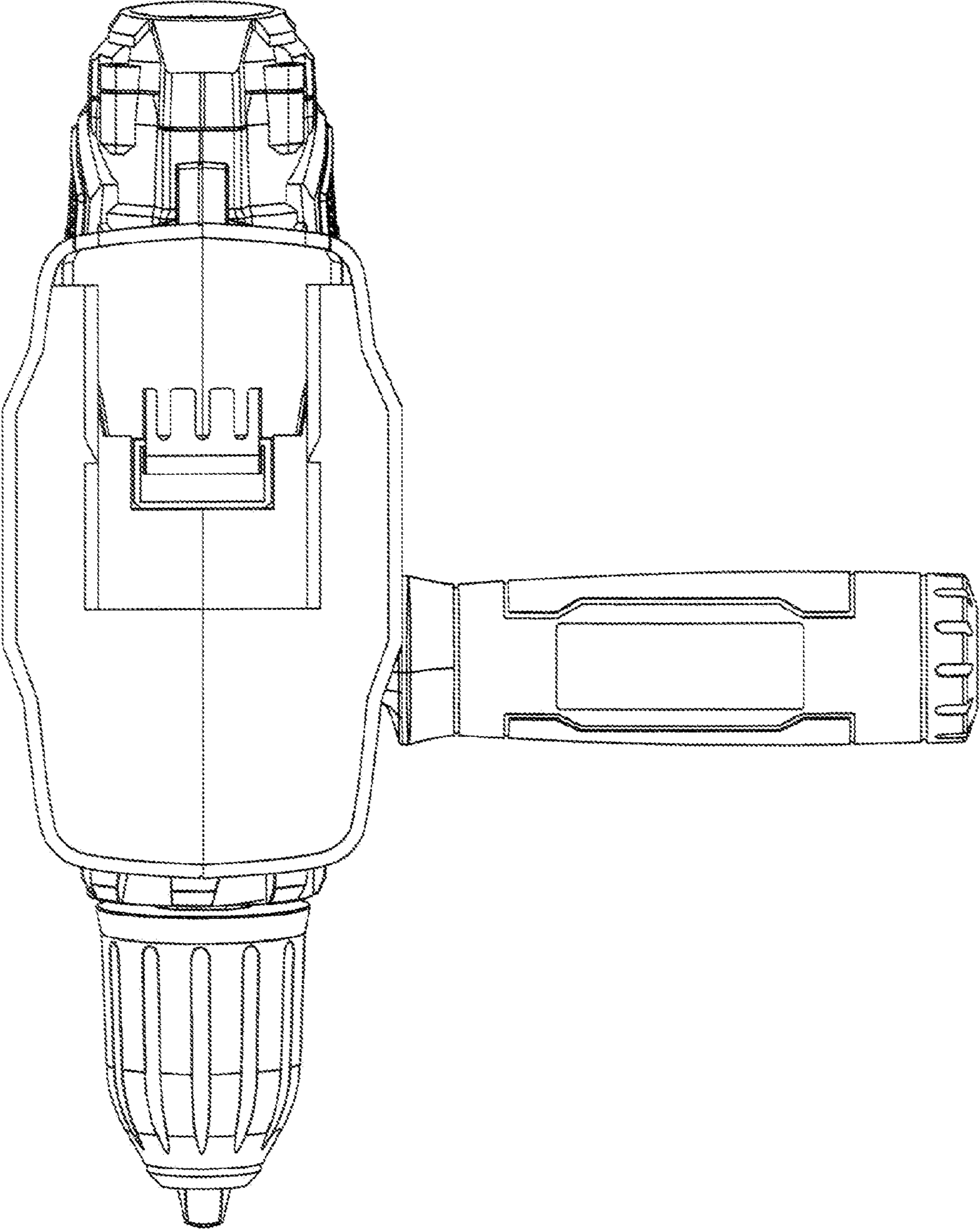


FIGURE 2

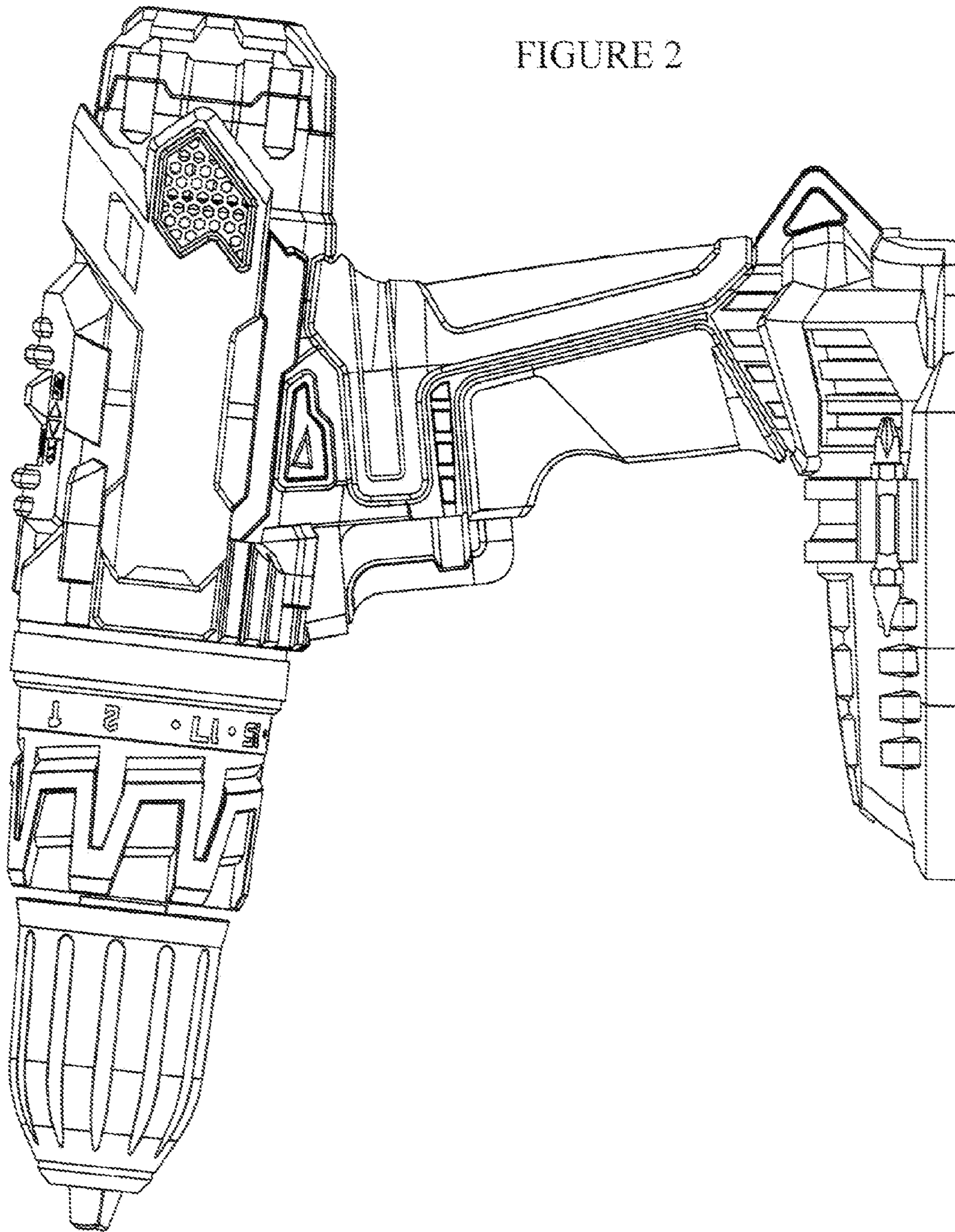


FIGURE 3

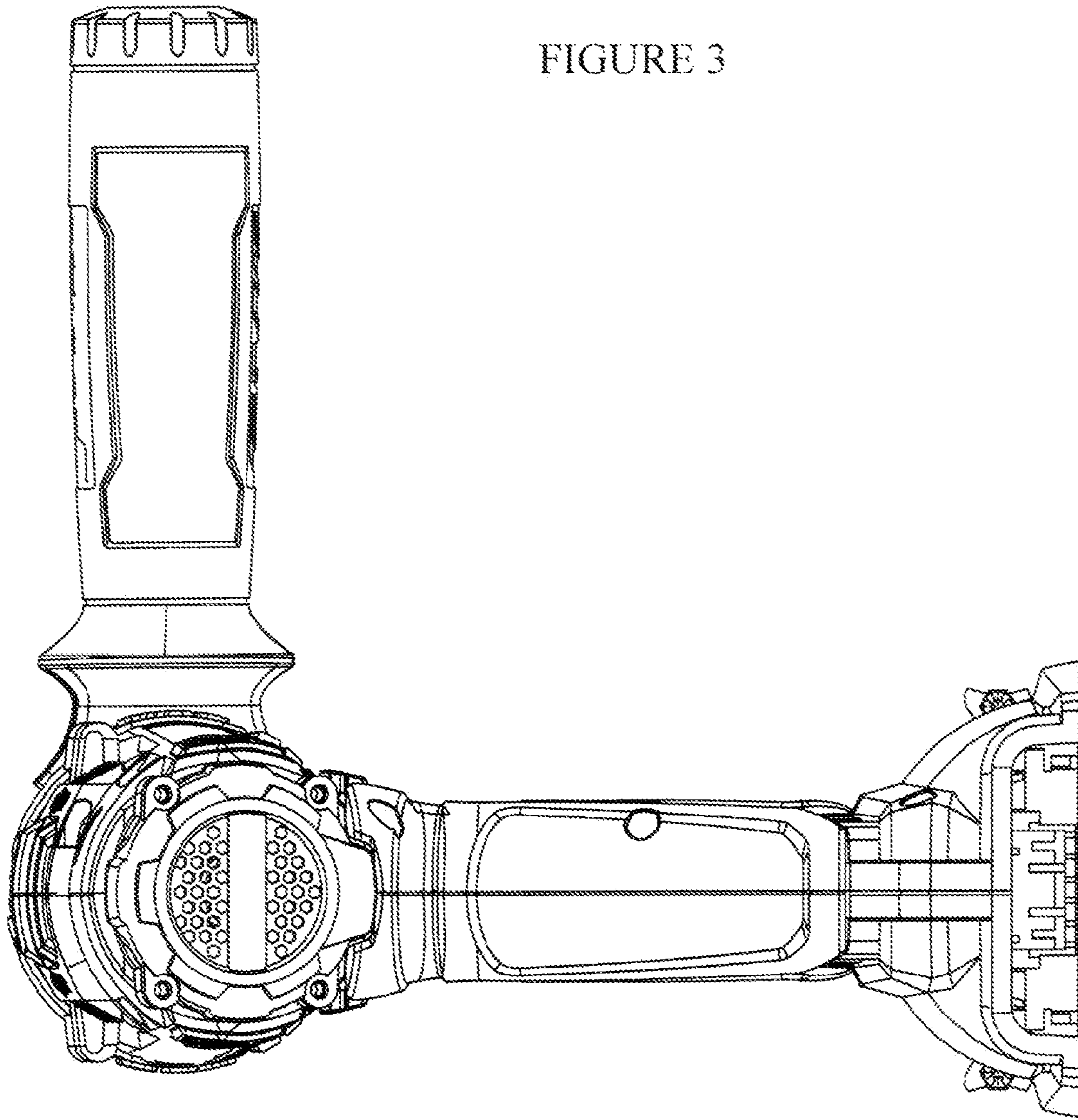


FIGURE 4

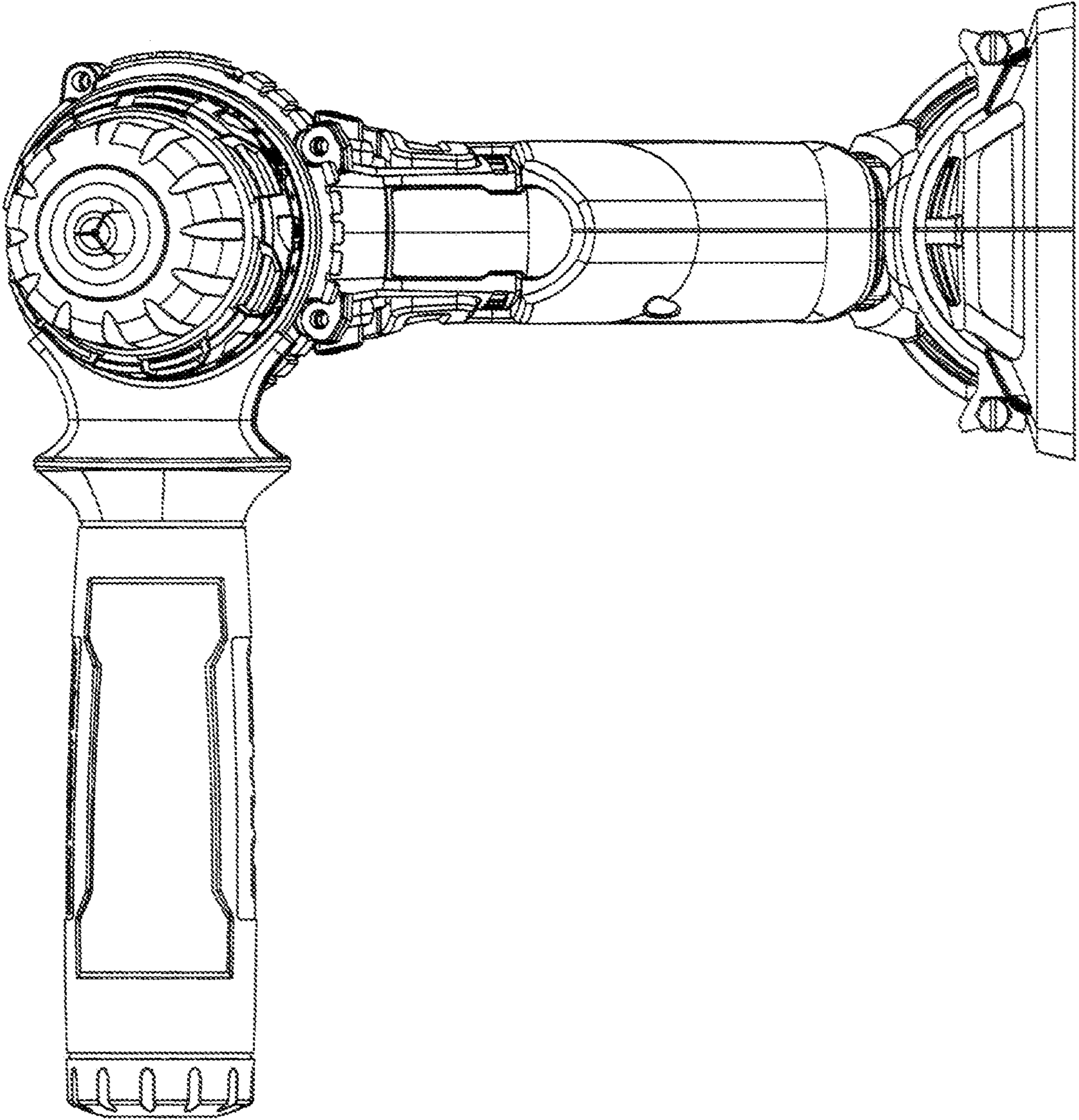


FIGURE 5

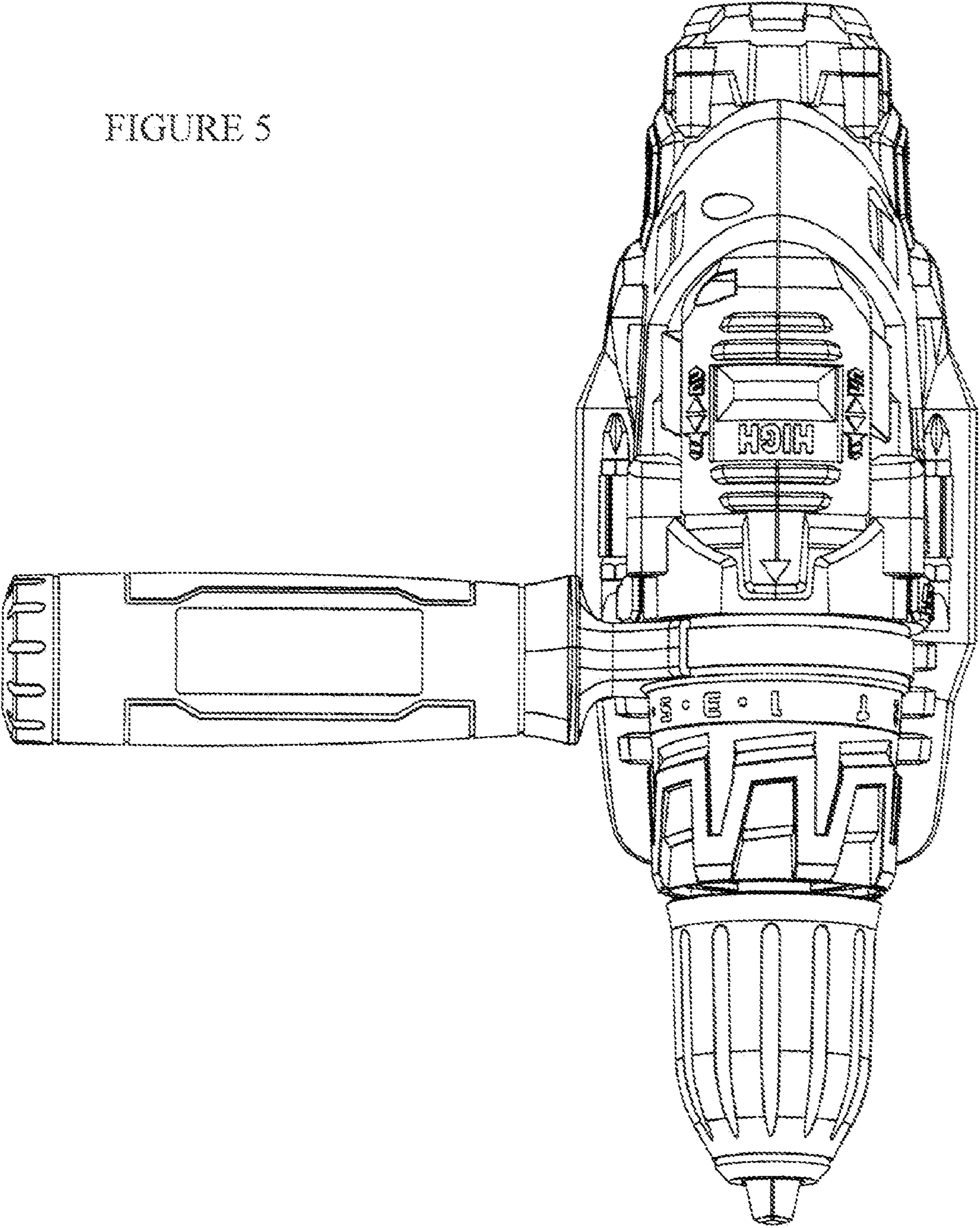


FIGURE 6

