



US00D646535S

(12) **United States Design Patent**  
**Mertel et al.**

(10) **Patent No.:** **US D646,535 S**  
(45) **Date of Patent:** **\*\* Oct. 11, 2011**

(54) **MATTOCK**

(76) Inventors: **Brian D. Mertel**, Simpsonville, SC  
(US); **Ryan H. Peloquin**, Simpsonville,  
SC (US)

(\*\*) **Term:** **14 Years**

(21) **Appl. No.:** **29/367,699**

(22) **Filed:** **Aug. 11, 2010**

(51) **LOC (9) Cl.** ..... **08-01**

(52) **U.S. Cl.** ..... **D8/11**

(58) **Field of Classification Search** ..... D8/7, 11;  
172/371-372, 375-376; 7/114, 116  
See application file for complete search history.

D440,473 S	4/2001	Khachatoorian	
D440,834 S	4/2001	Khachatoorian	
D440,835 S	4/2001	Khachatoorian	
D440,836 S	4/2001	Khachatoorian	
D441,262 S	5/2001	Khachatoorian	
D446,096 S	8/2001	Khachatoorian	
D476,201 S *	6/2003	Atnip et al. ....	D8/11
D486,362 S	2/2004	Atnip et al.	
D495,227 S	8/2004	Hung	
D551,922 S *	10/2007	Grishaber et al. ....	D8/11
D564,324 S	3/2008	Hsieh-Yeh	
D594,727 S	6/2009	Fortier et al.	

**OTHER PUBLICATIONS**

The American Society of Mechanical Engineers, Striking Tools, Jan. 23, 2009, 54 pages, ASME B107.400-2008, New York, NY.

\* cited by examiner

*Primary Examiner* — Holly H. Baynham  
*Assistant Examiner* — Sheryl Lane

(74) *Attorney, Agent, or Firm* — Michael Best & Friedrich LLP

(56) **References Cited**

**U.S. PATENT DOCUMENTS**

105,205 A	7/1870	Hoit	
115,532 A	5/1871	Sears	
303,766 A	8/1884	Trenor	
303,767 A	8/1884	Trenor	
308,934 A	12/1884	Trenor	
435,647 A	9/1890	Hohenstein	
614,525 A	11/1898	Zopfi	
755,891 A	3/1904	Leathers	
776,734 A	12/1904	Fuller	
909,000 A	1/1909	Konold	
1,277,894 A	9/1918	Forsyth	
1,279,075 A	9/1918	Bali	
D56,054 S	8/1920	Dlacich	
1,388,872 A	8/1921	McElhaney	
1,558,999 A	10/1925	Ortlieb	
1,943,807 A	1/1934	Bellerive	
3,074,752 A	1/1963	Kirkel	
D273,359 S	4/1984	Kolonia	
D300,109 S *	3/1989	Zabarte .....	D8/11
D303,068 S	8/1989	Zabarte	
D307,099 S *	4/1990	Zabarte .....	D8/11
5,141,353 A	8/1992	Meredith et al.	
D341,070 S *	11/1993	Warren .....	D8/89
D390,073 S	2/1998	Caspall	
5,791,708 A	8/1998	Capriotti	

(57) **CLAIM**

We claim the ornamental design for a mattock, as shown and described.

**DESCRIPTION**

FIG. 1 is a perspective view of a mattock embodying the invention.

FIG. 2 is a left side view of the mattock shown in FIG. 1.

FIG. 3 is a right side view of the mattock shown in FIG. 1.

FIG. 4 is a front view of the mattock shown in FIG. 1.

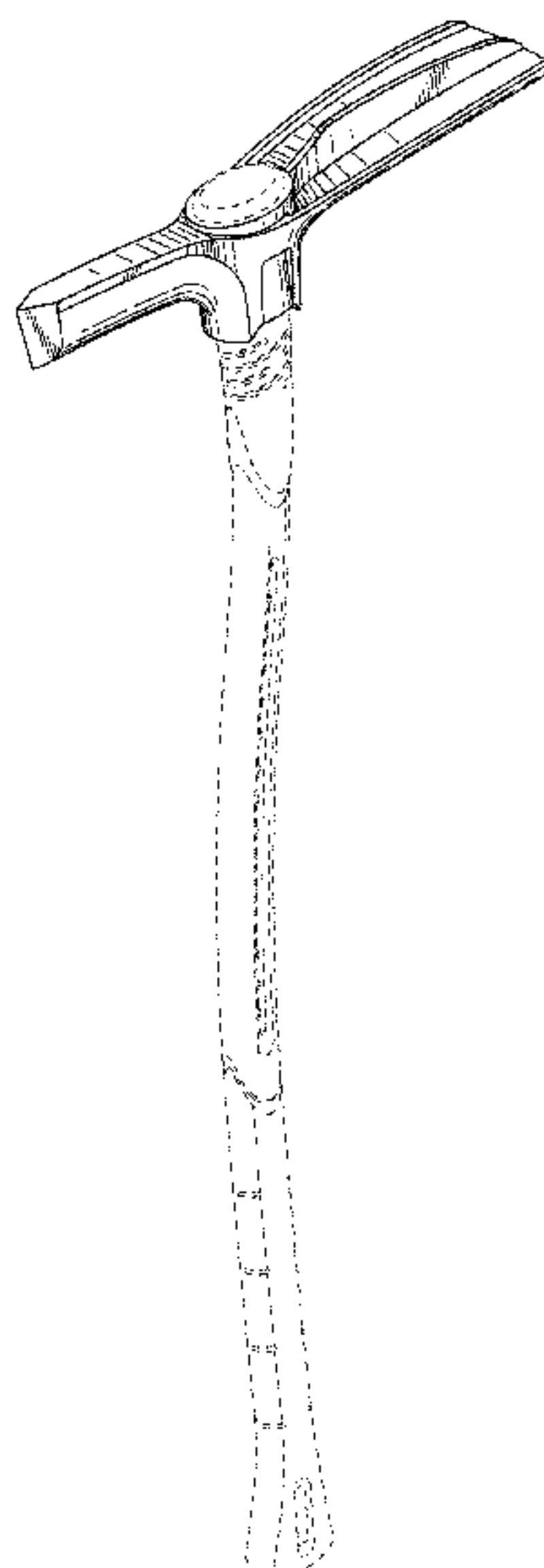
FIG. 5 is a rear view of the mattock shown in FIG. 1.

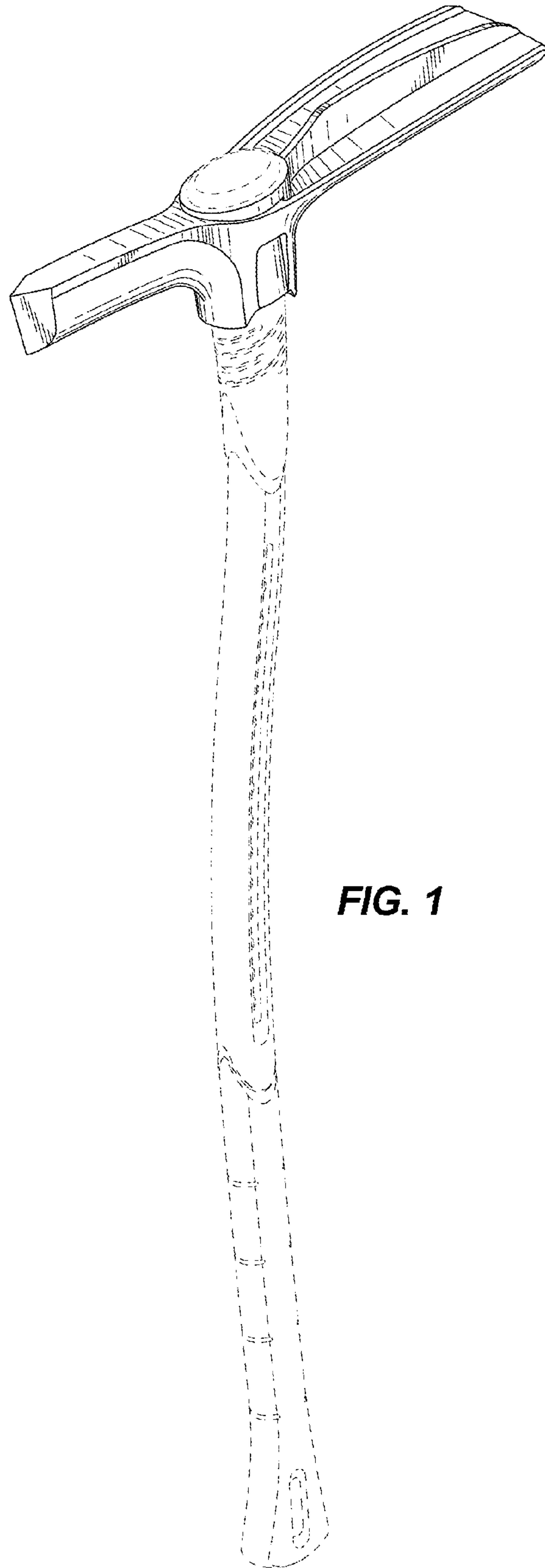
FIG. 6 is a top view of the mattock shown in FIG. 1; and,

FIG. 7 is a bottom view of the mattock shown in FIG. 1.

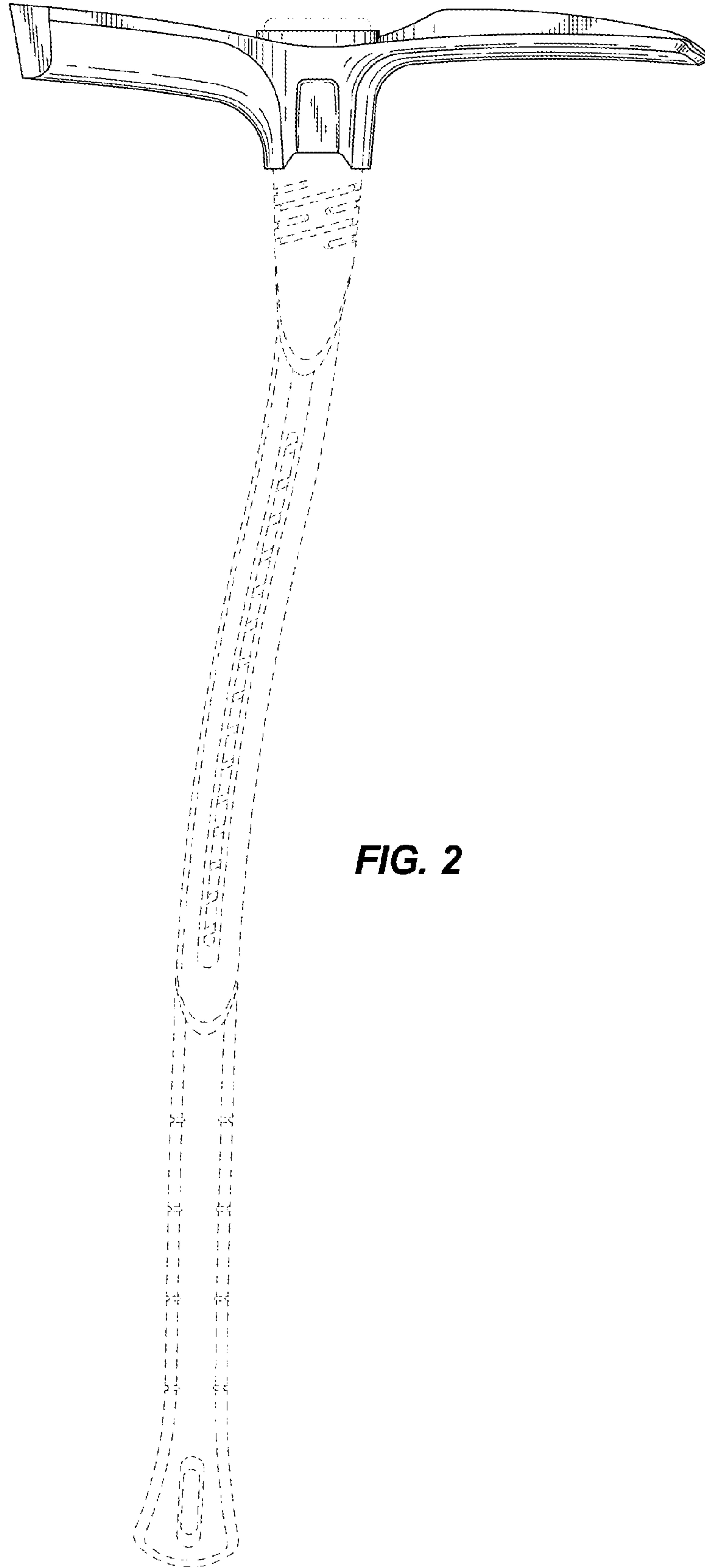
The broken line showing of the mattock has been included for the purpose of showing portions of the article and forms no part of the claimed design.

**1 Claim, 5 Drawing Sheets**

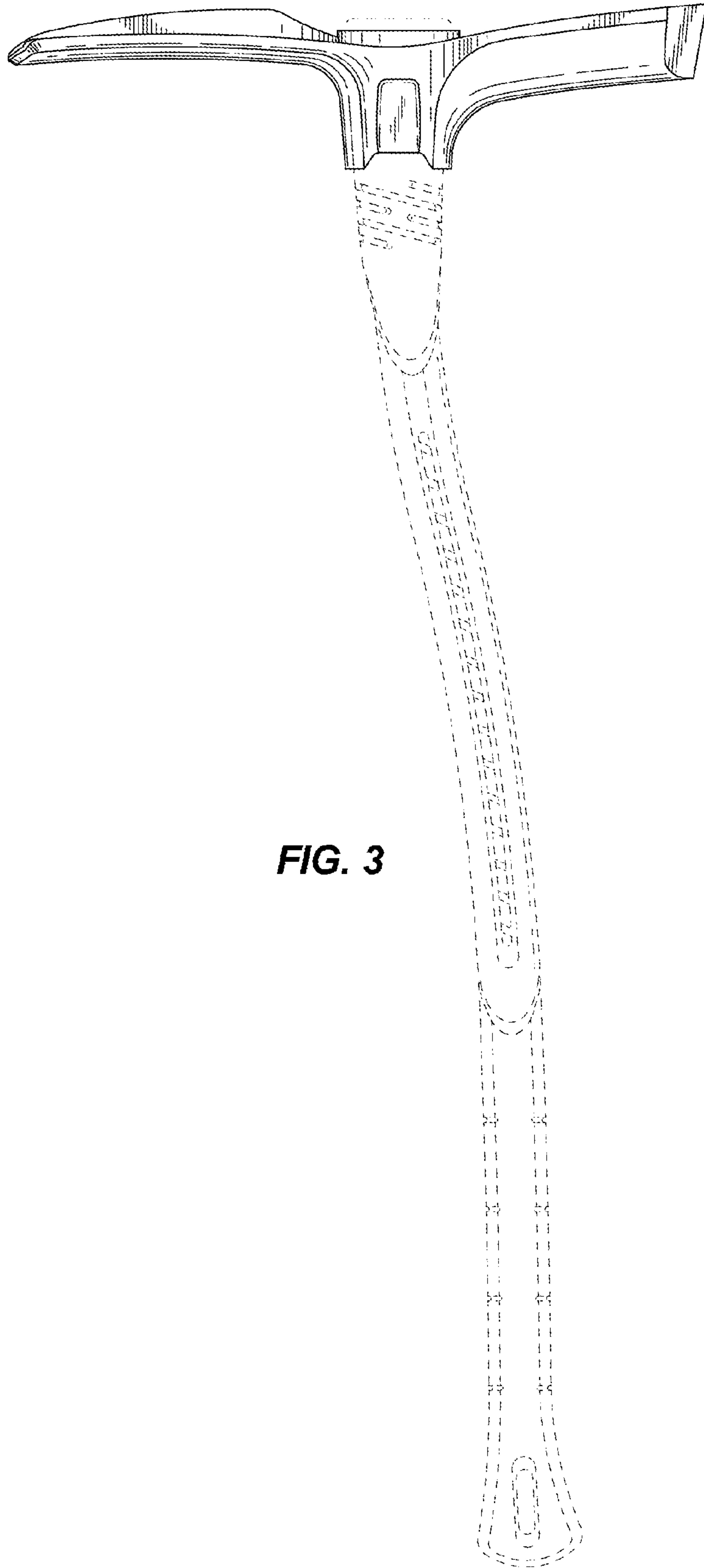




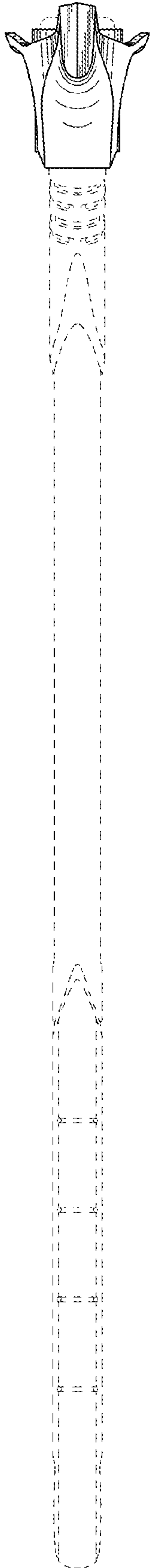
**FIG. 1**



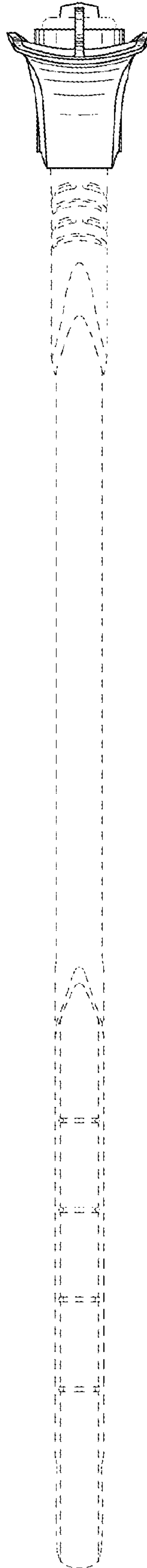
**FIG. 2**



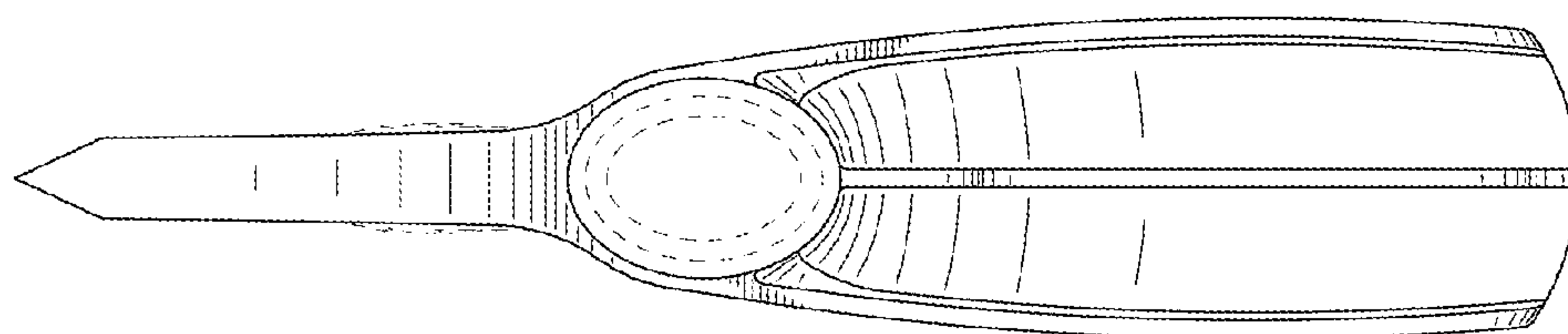
**FIG. 3**



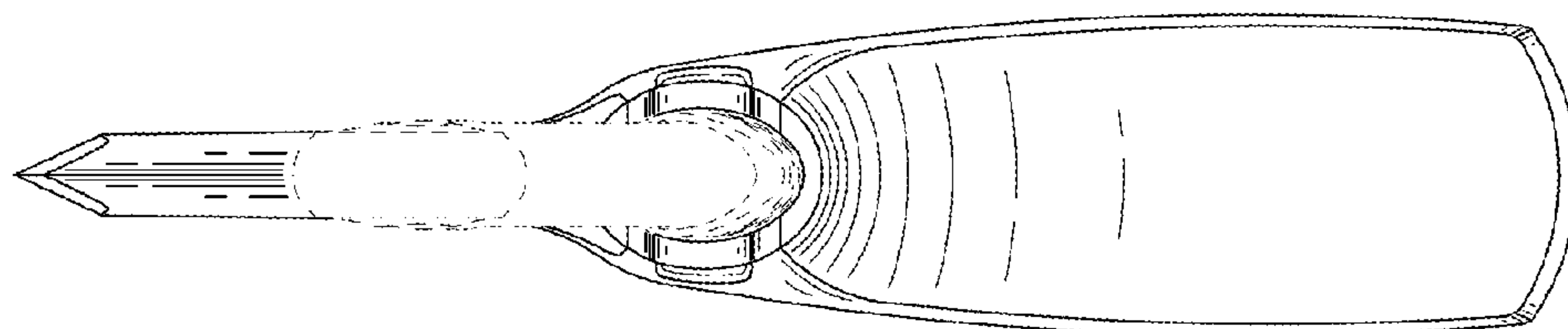
**FIG. 4**



**FIG. 5**



**FIG. 6**



**FIG. 7**