



US00D646534S

(12) **United States Design Patent**
Deville

(10) **Patent No.:** **US D646,534 S**

(45) **Date of Patent:** **** Oct. 11, 2011**

(54) **PRUNING SHEARS**

(75) Inventor: **Antoine Devillé**, Le Viel-Bauge (FR)

(73) Assignee: **Deville S.A.** (FR)

(**) Term: **14 Years**

(21) Appl. No.: **29/362,548**

(22) Filed: **May 27, 2010**

(30) **Foreign Application Priority Data**

Nov. 27, 2009 (EM) 001180525-0001

(51) **LOC (9) Cl.** **08-01**

(52) **U.S. Cl.** **D8/5**

(58) **Field of Classification Search** D8/5, 52,
D8/54, 68; 30/203, 131, 260, 262, 193-194,
30/296.1, 134

See application file for complete search history.

(56) **References Cited**

U.S. PATENT DOCUMENTS

D320,333 S * 10/1991 Grove D8/5
D344,218 S * 2/1994 Wensley et al. D8/5
D344,219 S * 2/1994 Wensley et al. D8/5
D357,390 S * 4/1995 Thompson et al. D8/5

D405,663 S * 2/1999 Deville D8/5
D413,052 S * 8/1999 Staton D8/5
D464,543 S * 10/2002 Deville D8/5
D478,255 S * 8/2003 Deville D8/5
D494,027 S * 8/2004 Lin D8/5
D500,941 S * 1/2005 Tatic D8/5
D501,765 S * 2/2005 Tatic D8/5
D502,068 S * 2/2005 Tatic D8/5
D510,002 S * 9/2005 Lai D8/5
D578,360 S * 10/2008 Nellenbach et al. D8/4
D606,816 S * 12/2009 Deville D8/5

* cited by examiner

Primary Examiner — Holly Baynham

Assistant Examiner — Sheryl Lane

(74) *Attorney, Agent, or Firm* — Banner & Witcoff, Ltd.

(57) **CLAIM**

The ornamental design for pruning shears, as shown and described.

DESCRIPTION

FIG. 1 is a front view of the pruning shears showing my new design;

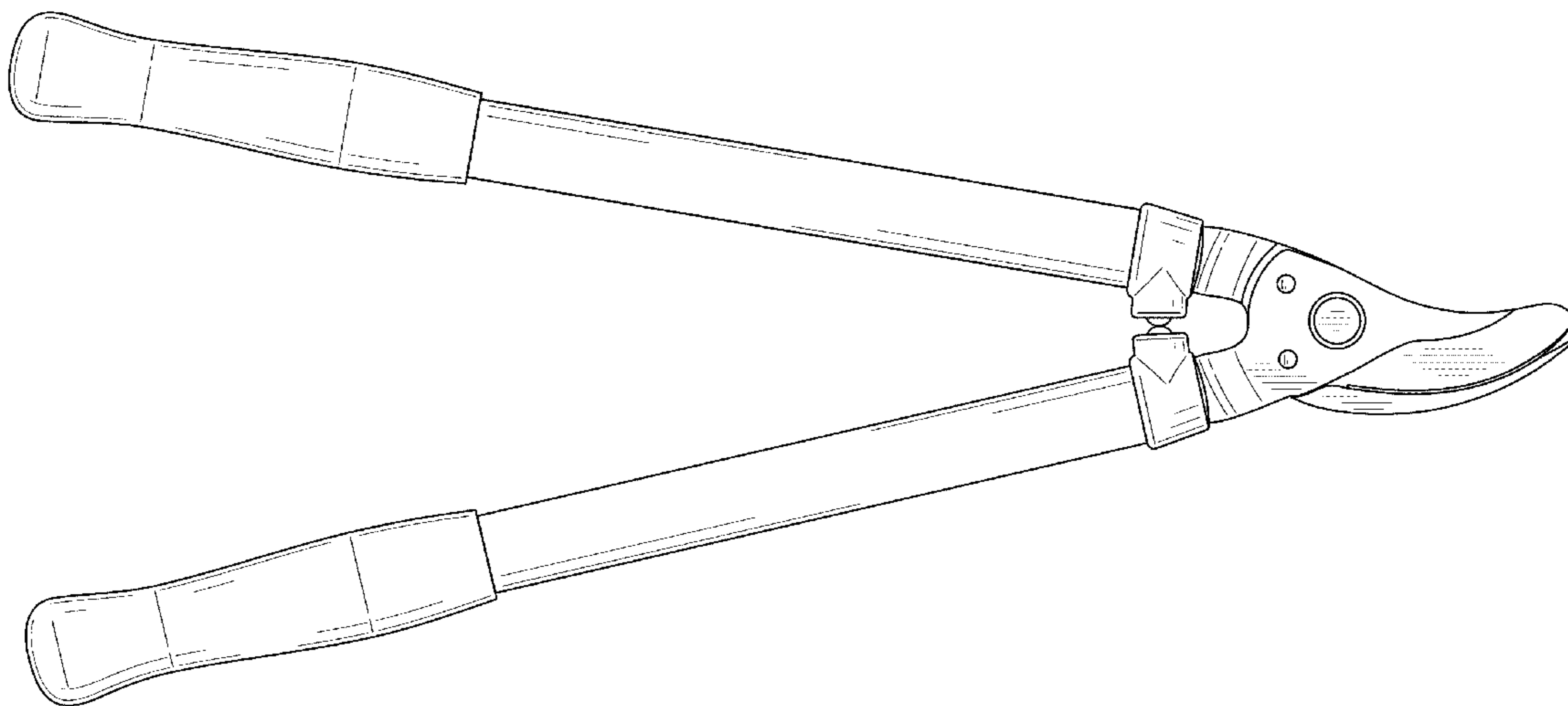
FIG. 2 is a rear view thereof;

FIG. 3 is a right side view thereof;

FIG. 4 is an enlarged front view of the pruning shears (shown enlarged for ease of illustration); and,

FIG. 5 is a front view of the pruning shears in the open position.

1 Claim, 5 Drawing Sheets



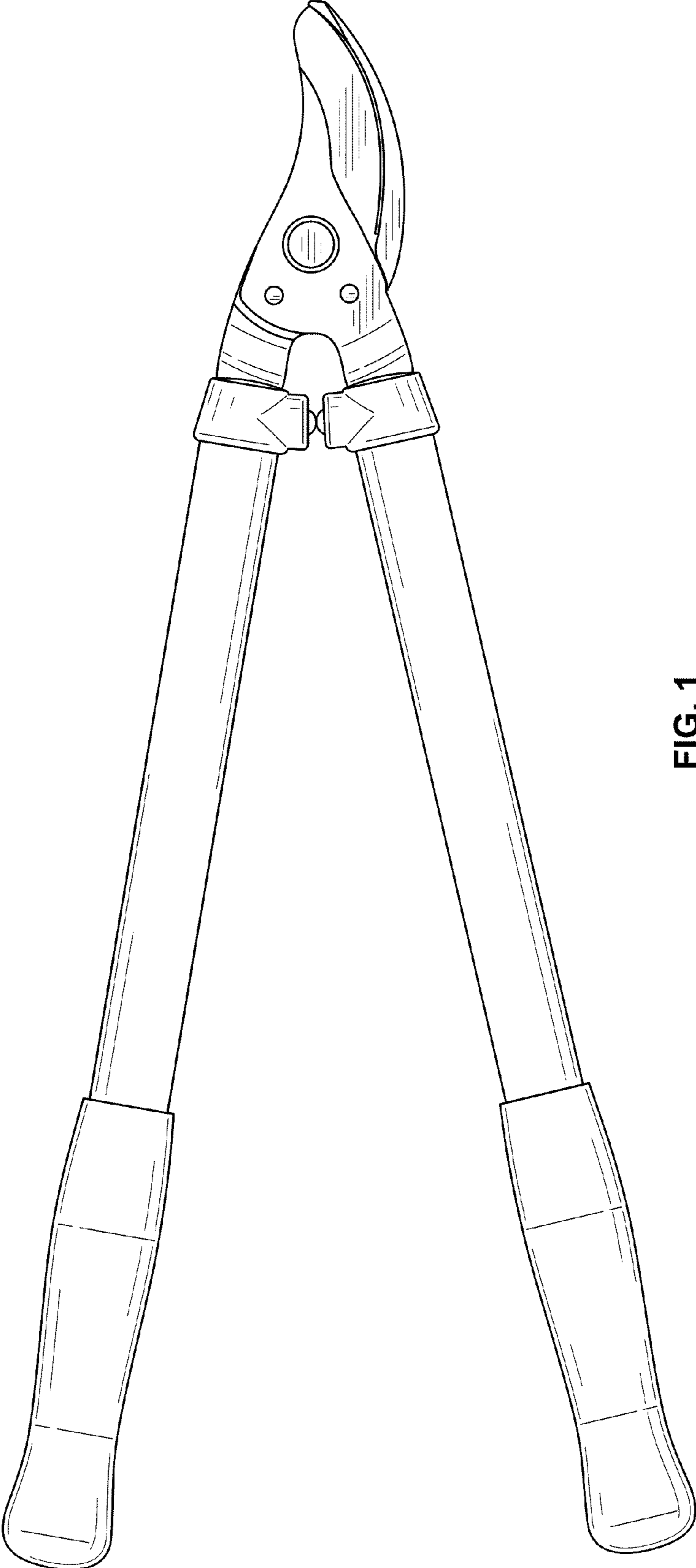


FIG. 1

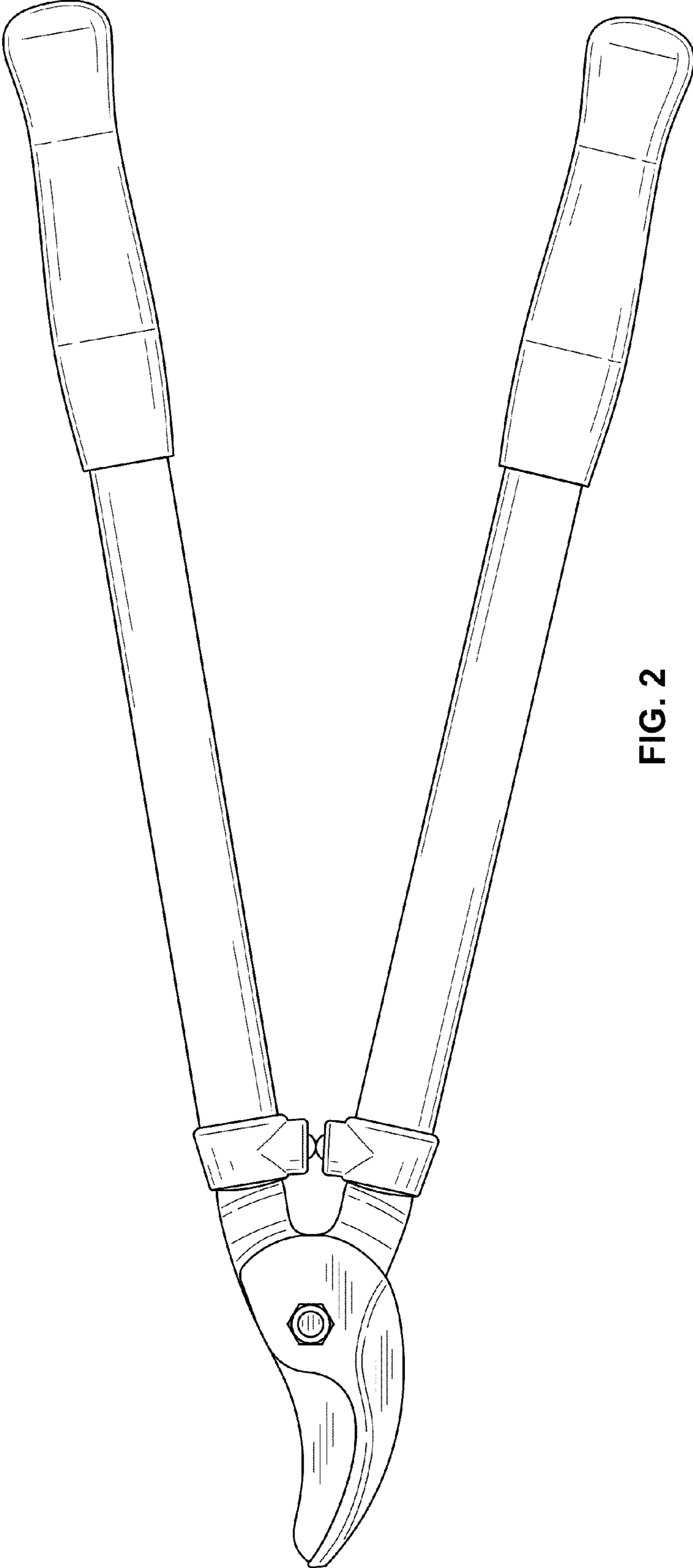


FIG. 2

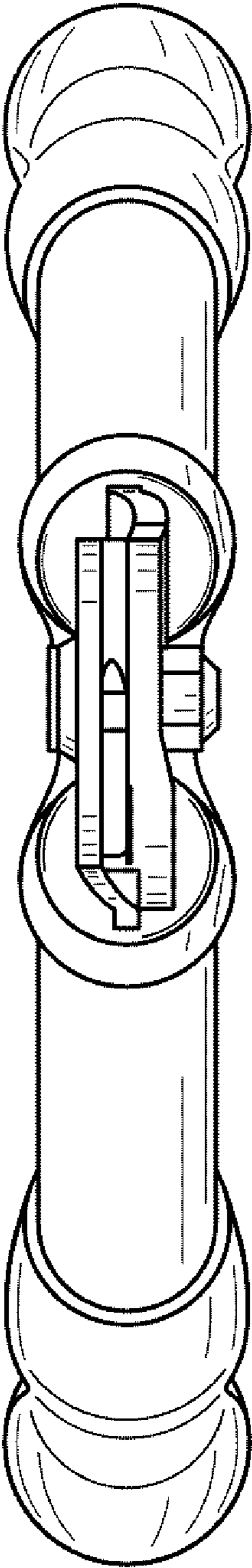


FIG. 3

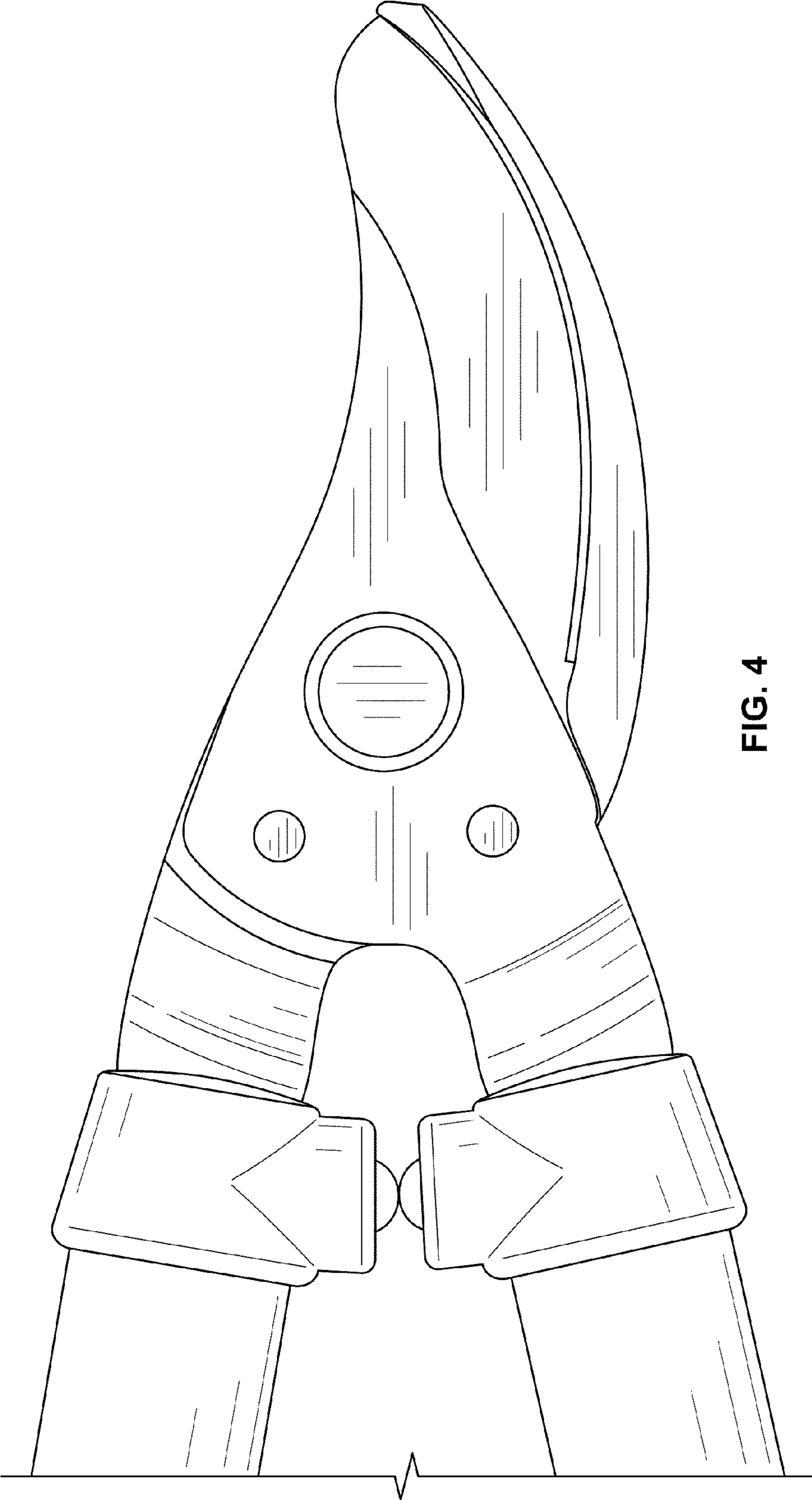


FIG. 4

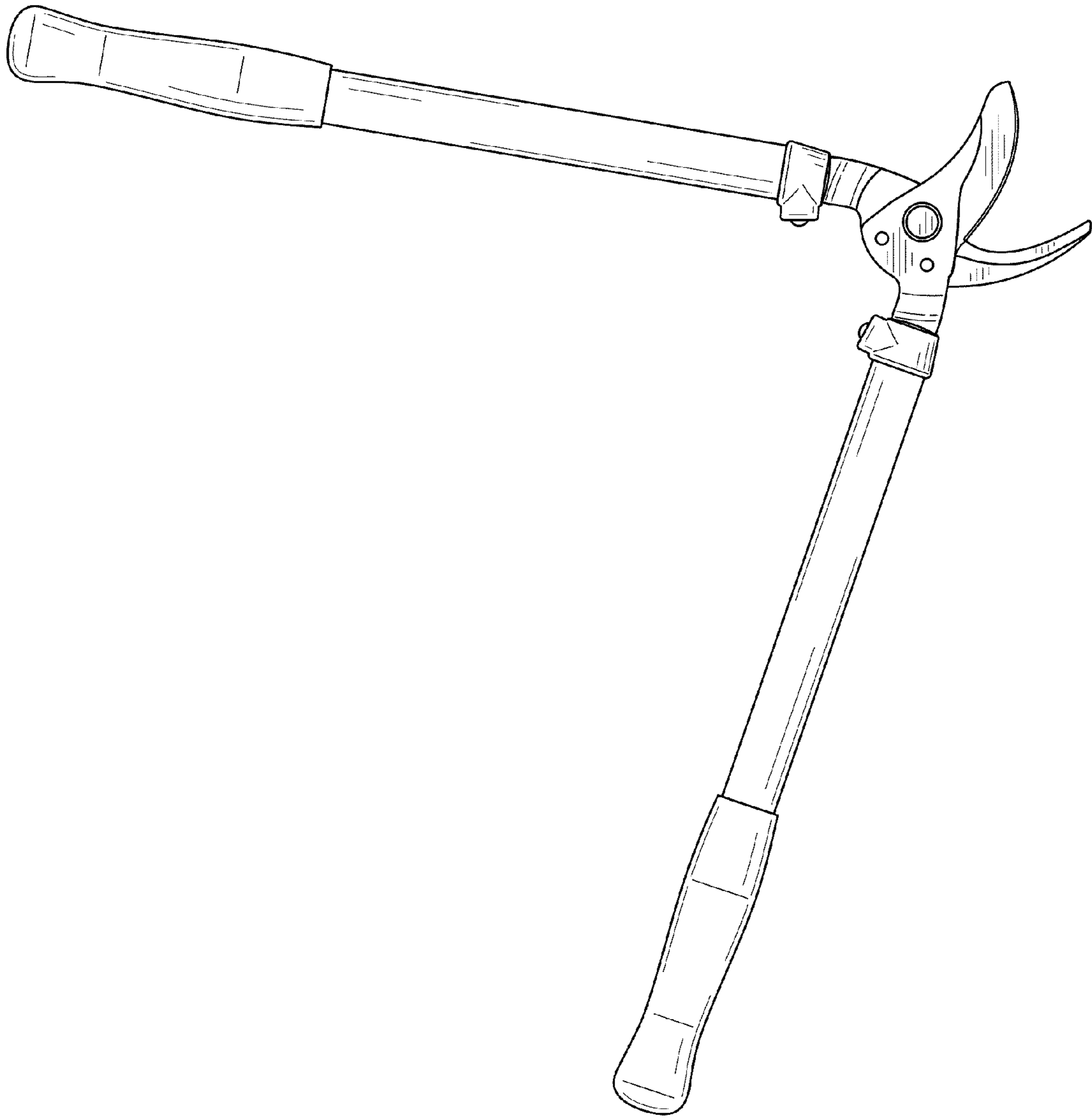


FIG. 5