



US00D646532S

(12) **United States Design Patent**
Burns

(10) **Patent No.:** **US D646,532 S**
(45) **Date of Patent:** **** Oct. 11, 2011**

(54) **RAISED GARDEN BED COMPONENT**

(75) Inventor: **Wayne Burns**, Ashland, OR (US)

(73) Assignee: **Naturallyards, LLC**, Ashland, OR (US)

(**) Term: **14 Years**

(21) Appl. No.: **29/335,108**

(22) Filed: **Apr. 8, 2009**

(51) **LOC (9) Cl.** **11-02**

(52) **U.S. Cl.** **D8/1**

(58) **Field of Classification Search** D6/403-405,
D6/556-558; D8/1; D11/143-156, 164;
D19/77, 80, 81, 84; D25/100; D26/9-11,
D26/16, 19; D34/1, 2, 4-6; D99/5, 19; 47/17,
47/32.4, 32.5, 32.7, 33, 39, 41.01, 41.1, 41.11-41.15,
47/44-47, 65, 65.6, 65.9, 66.1, 66.2, 66.6,
47/66.7, 67-71

See application file for complete search history.

(56) **References Cited**

U.S. PATENT DOCUMENTS

4,869,018	A *	9/1989	Scales et al.	47/33
4,905,409	A *	3/1990	Cole	47/33
D337,925	S *	8/1993	Scott et al.	D8/1
D338,377	S *	8/1993	Scott et al.	D8/1
D338,811	S *	8/1993	Scott et al.	D8/1
D338,812	S *	8/1993	Scott et al.	D8/1
D340,169	S *	10/1993	Scott et al.	D8/1
D343,509	S *	1/1994	Scott et al.	D8/1
D346,726	S *	5/1994	Scott et al.	D8/1
D348,592	S *	7/1994	Scott et al.	D8/1
D355,340	S *	2/1995	Scott et al.	D8/1
6,324,782	B1 *	12/2001	Gaston	47/33
D536,584	S *	2/2007	Petty	D8/1

* cited by examiner

Primary Examiner — Garth Rademaker

(74) *Attorney, Agent, or Firm* — Marger Johnson & McCollom PC

(57) **CLAIM**

The ornamental design for a raised garden bed component, as shown and described.

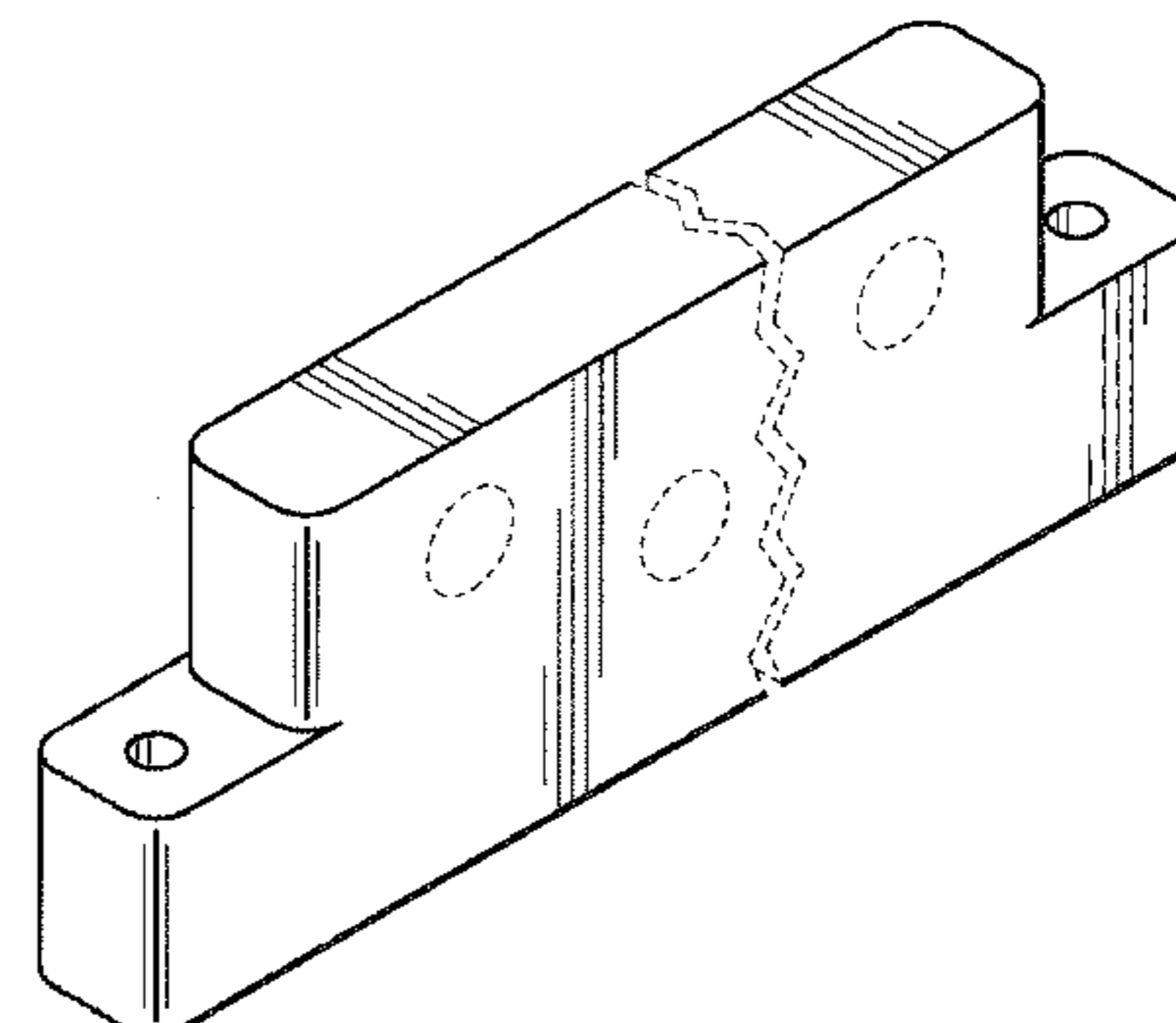
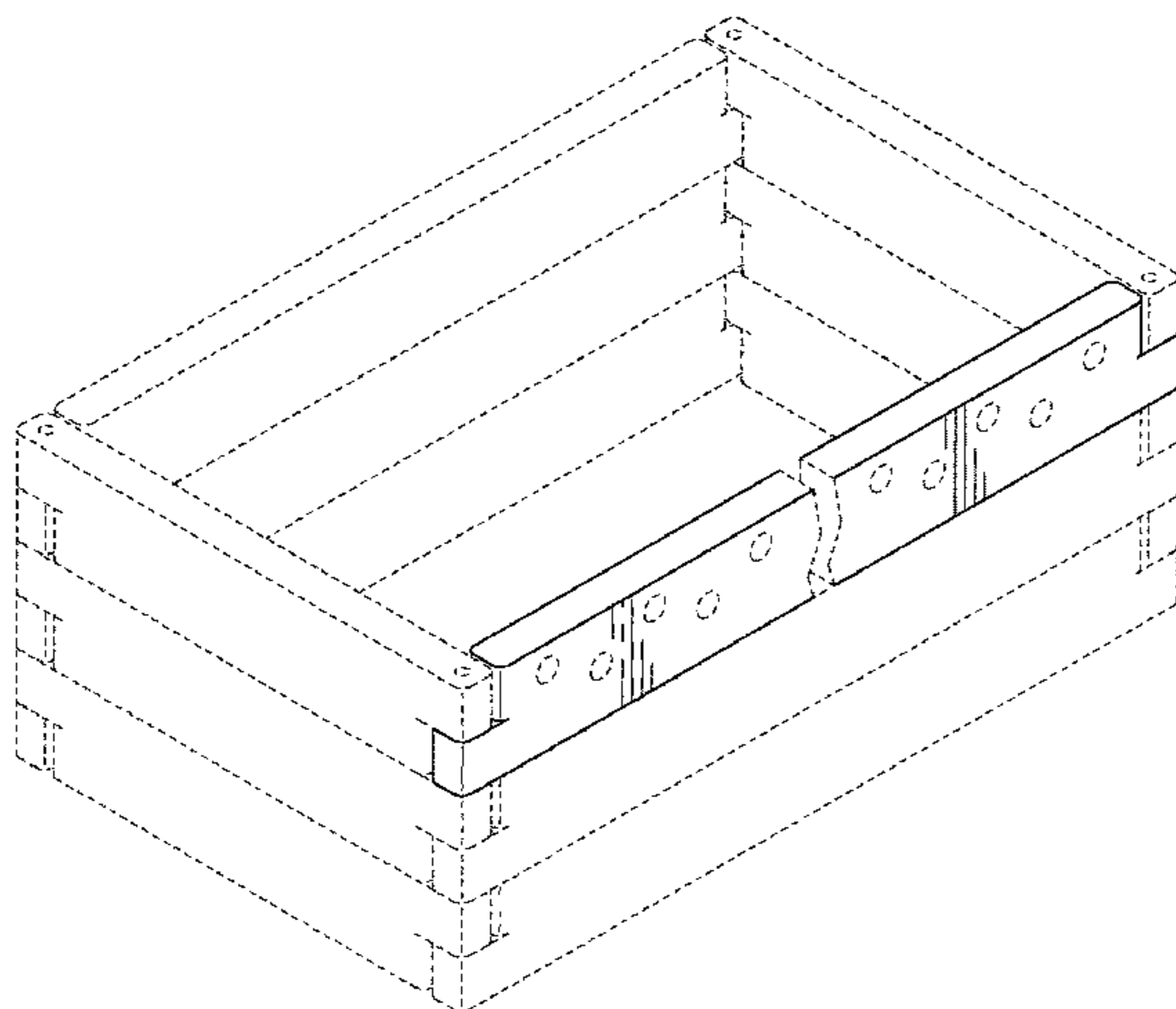
DESCRIPTION

FIG. 1 is a top perspective view of a raised garden bed component, showing the new design in environment of use; FIG. 2 is a bottom perspective view thereof, shown in the same environment of use as in FIG. 1; FIG. 3 is a top perspective view thereof, shown in an alternate environment of use; FIG. 4 is a bottom perspective view thereof shown in the same environment of use as in FIG. 3; FIG. 5 is a top perspective view thereof; FIG. 6 is an end view thereof, the opposite end view being identical thereto; FIG. 7 is a top view thereof; FIG. 8 is a side view thereof; FIG. 9 is a bottom view thereof; FIG. 10 is a top perspective view of a portion thereof, showing how a joint between the raised garden bed component and an additional component may be positioned; FIG. 11 is a bottom perspective view thereof, shown with the joint positioned as in FIG. 10; FIG. 12 is a top perspective view thereof, showing a second joint position; FIG. 13 is a bottom perspective view thereof, shown with the joint positioned as in FIG. 12; FIG. 14 is a top perspective view thereof, showing a third joint position; FIG. 15 is a bottom perspective view thereof, shown with the joint positioned as in FIG. 14; FIG. 16 is a top perspective view thereof, showing a fourth joint position; and, FIG. 17 is a bottom thereof, shown with the joint positioned as in FIG. 16.

The broken-line circles shown in FIGS. 1-5, and 8 illustrate apertures which form no part of the claimed design. The broken line components shown in FIGS. 1-4 and 10-17 are environmental subject matter and form no part of the claimed design.

The broken lines at the center of the raised garden bed component signify that the claimed design is not of any specific length.

1 Claim, 5 Drawing Sheets



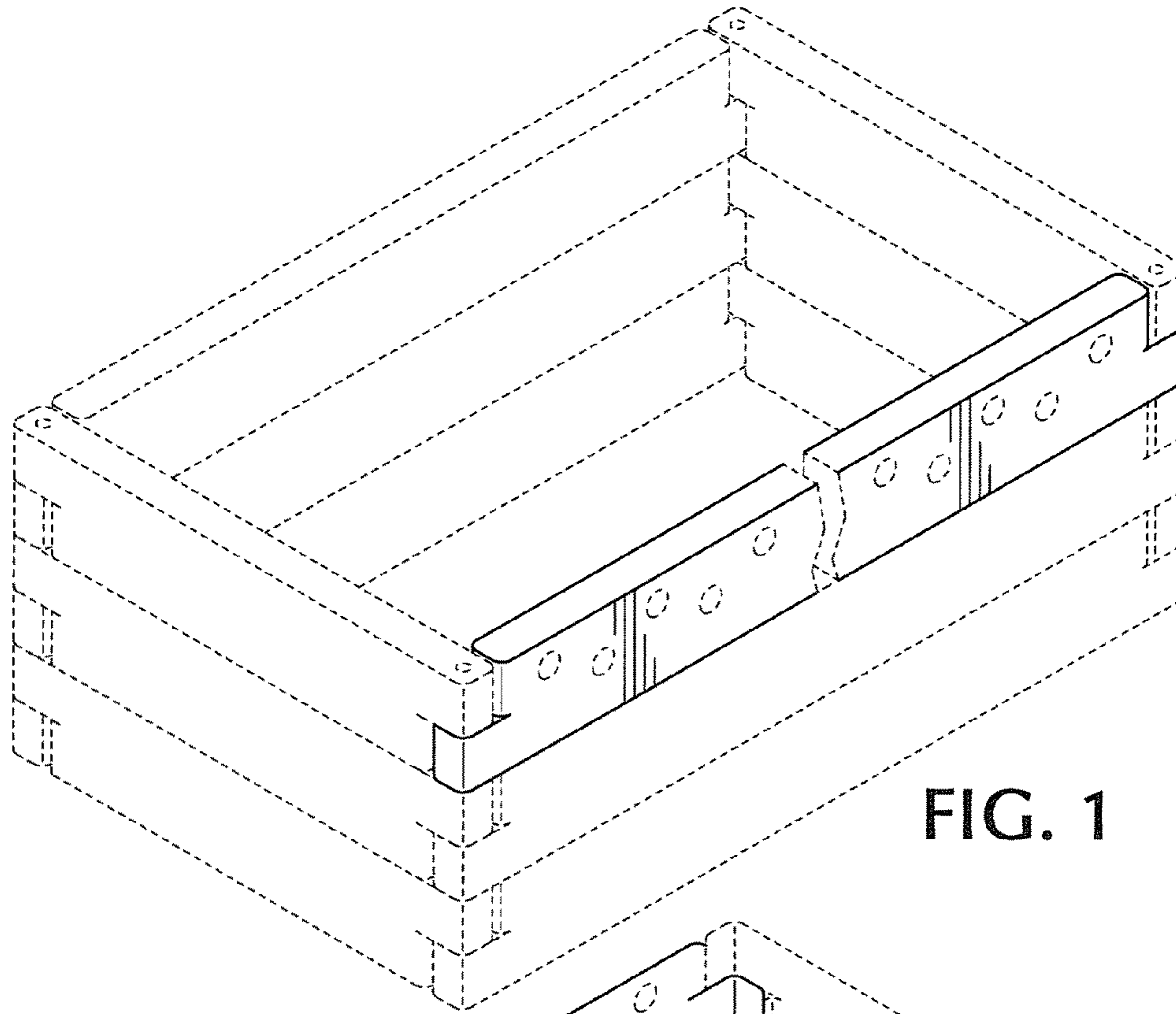


FIG. 1

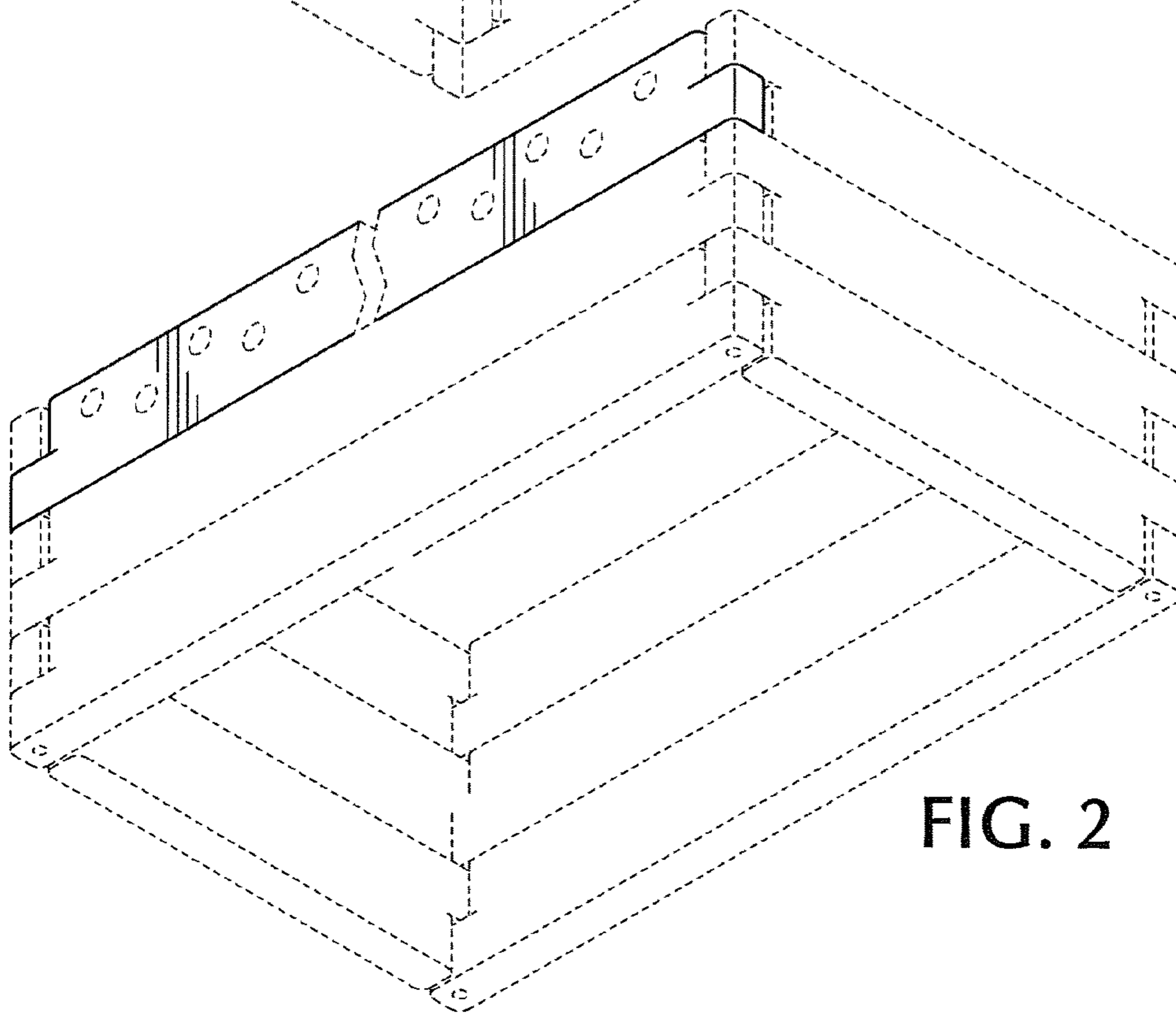


FIG. 2

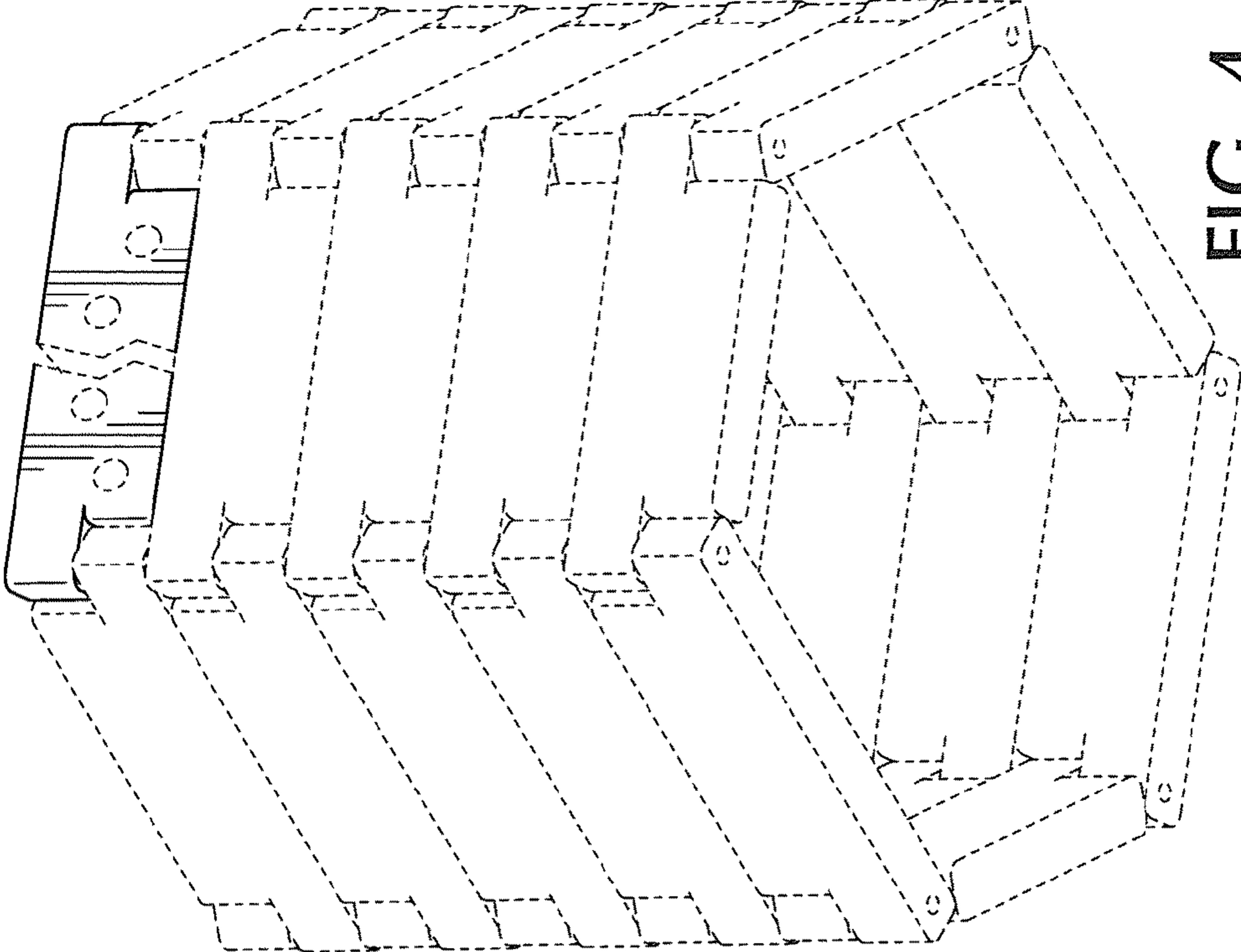


FIG. 4

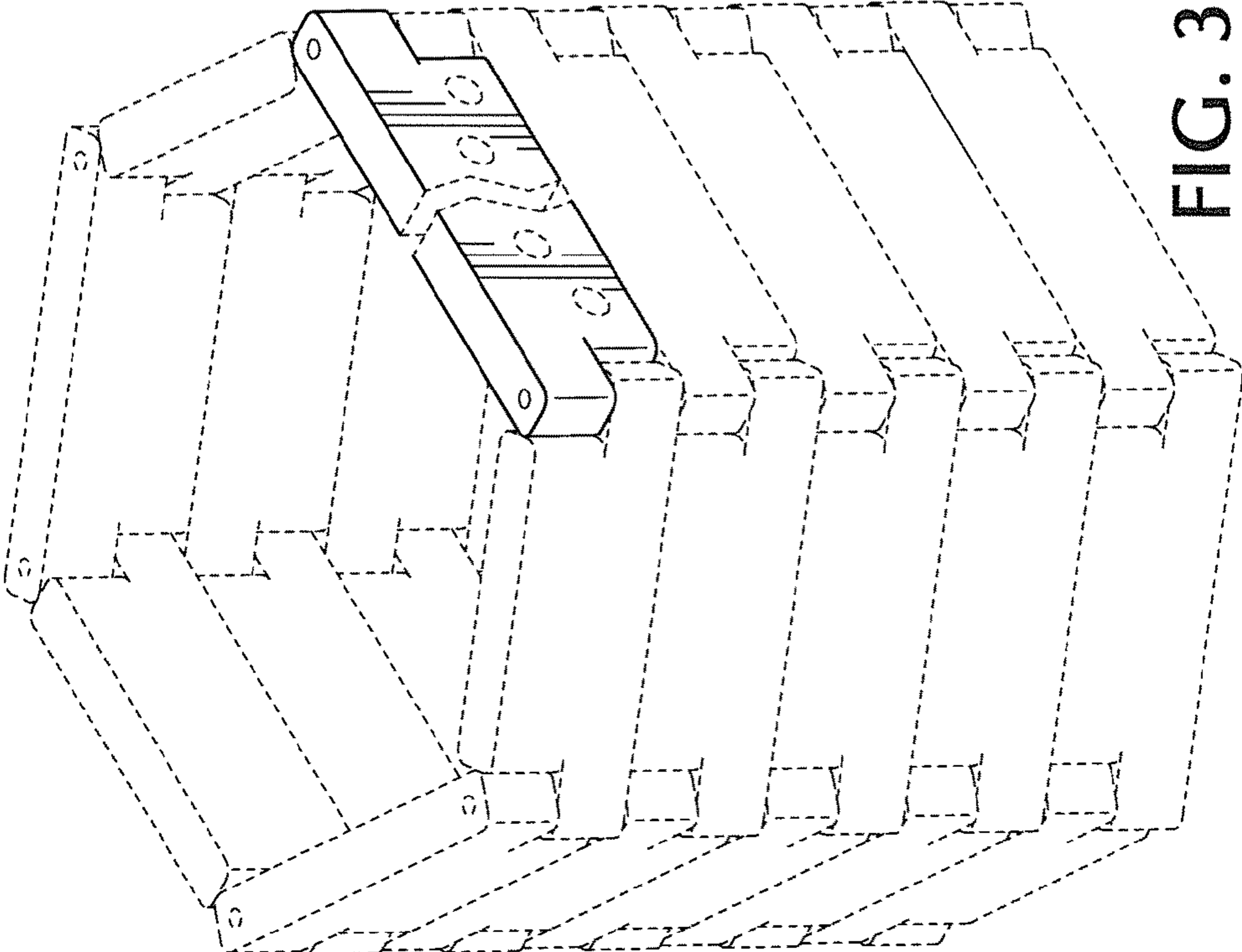
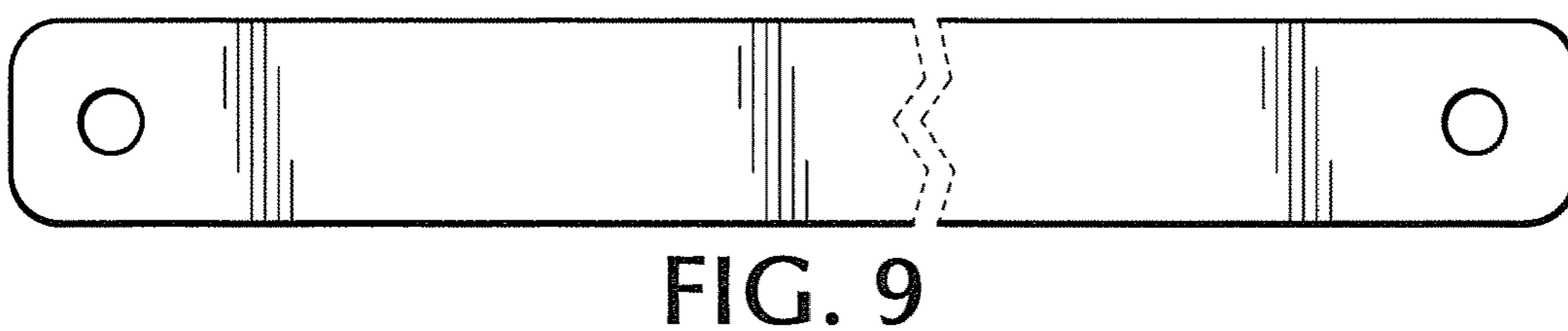
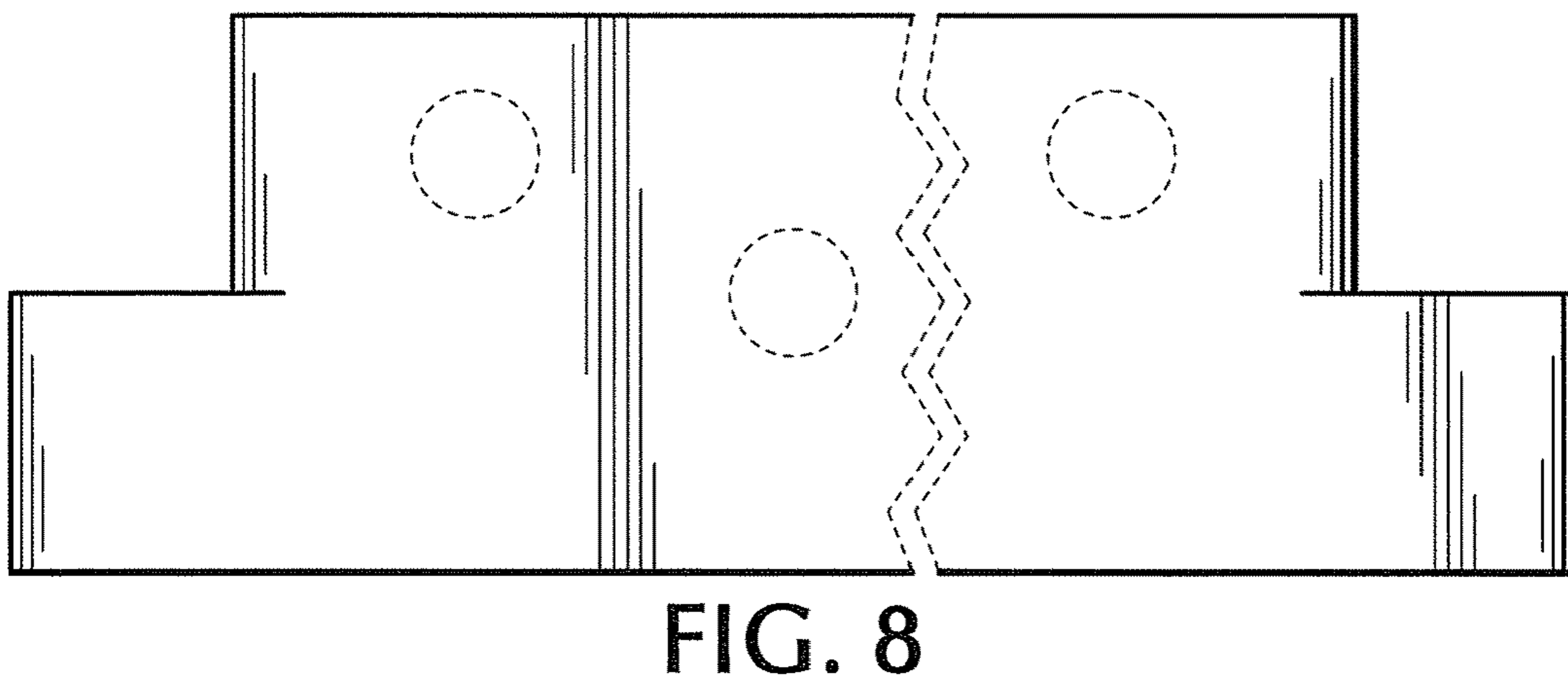
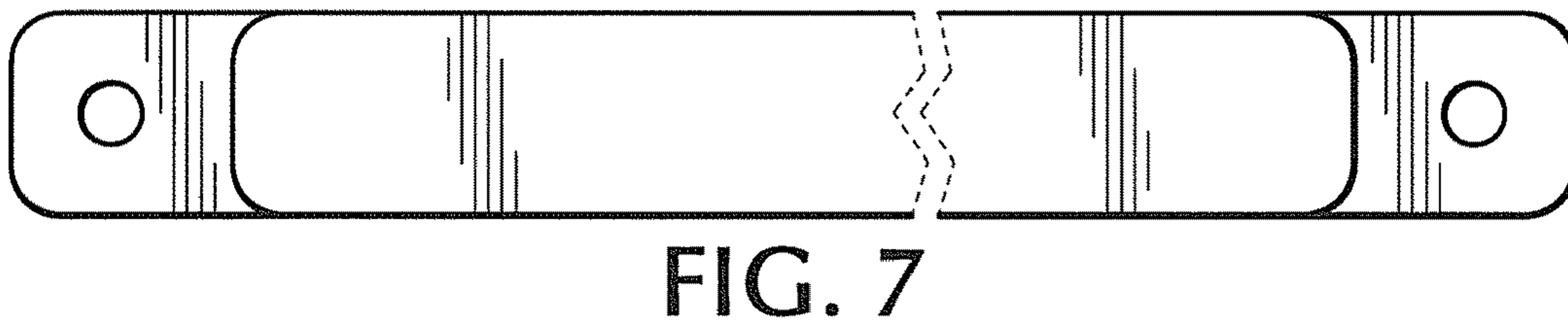
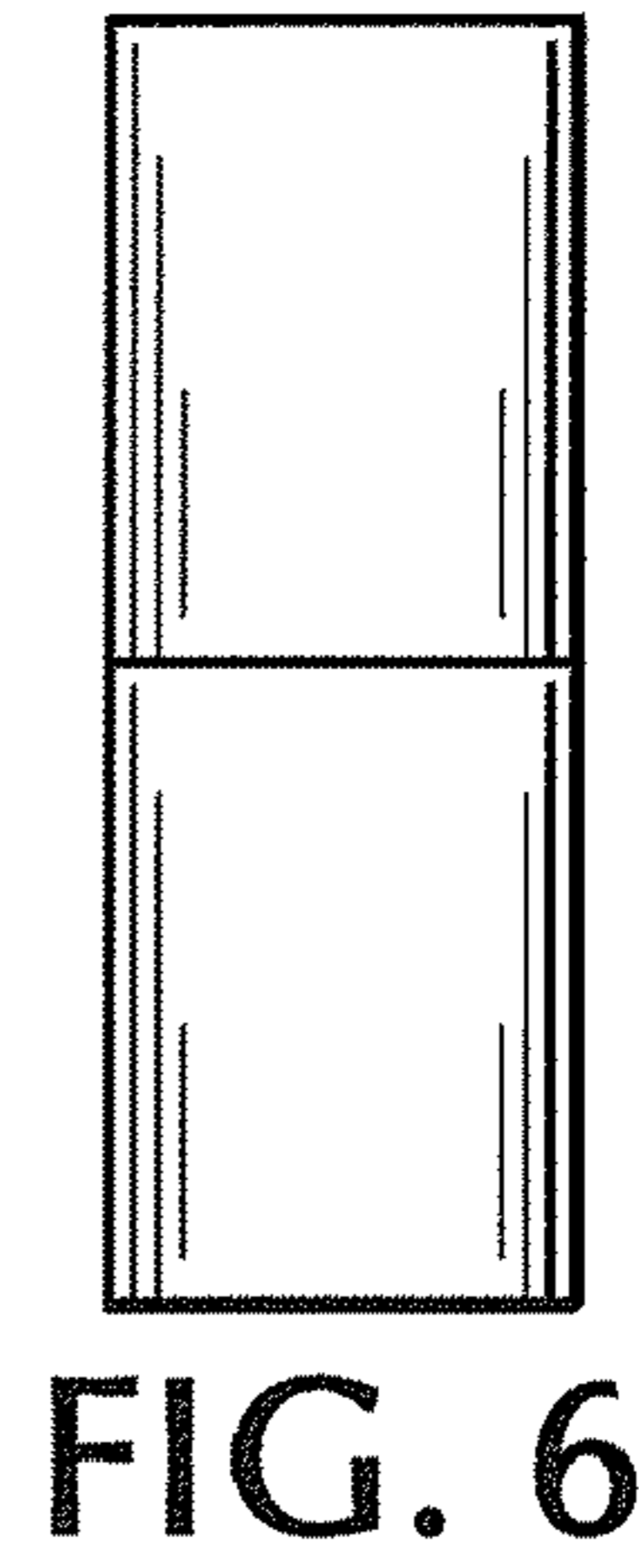
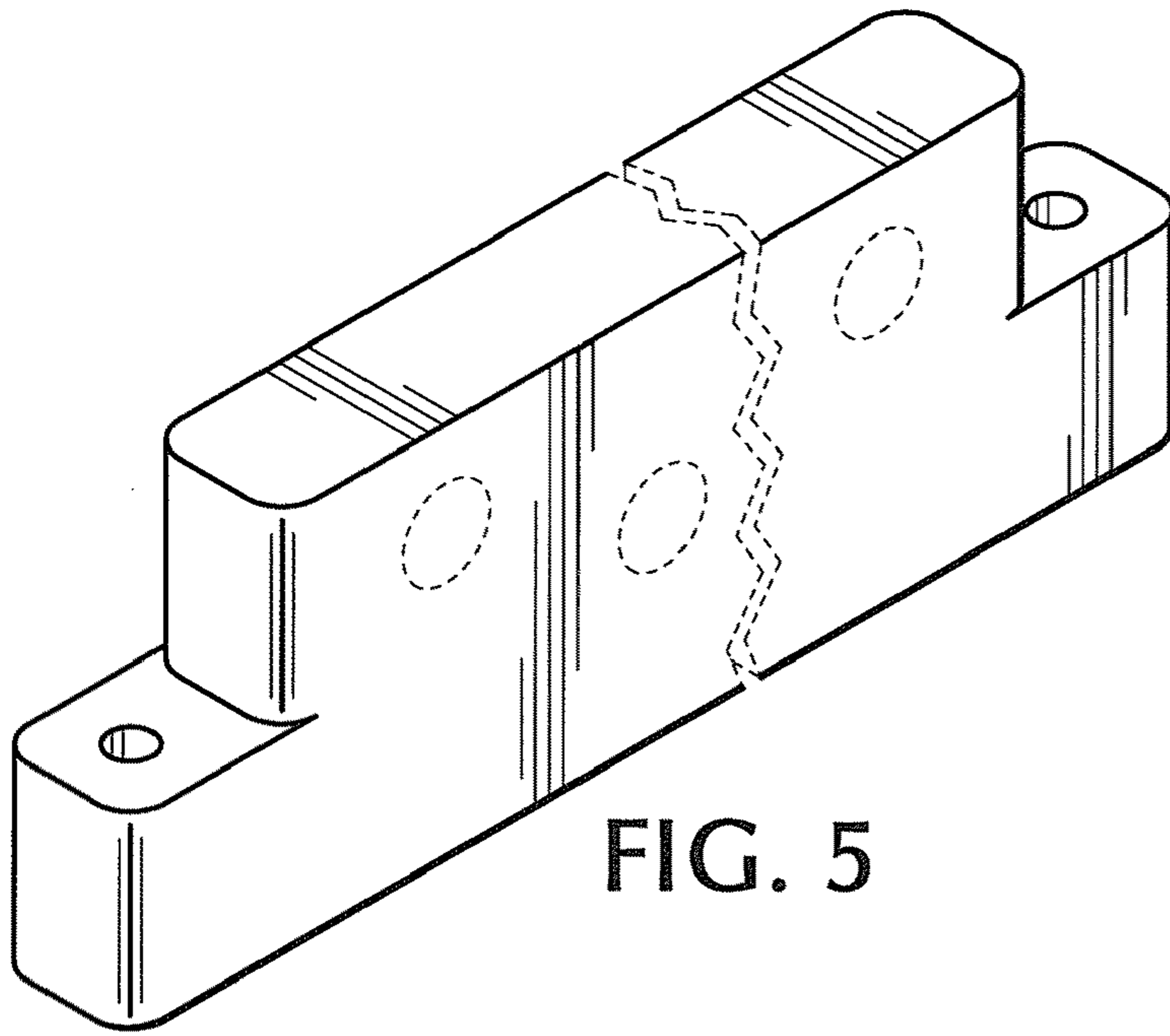
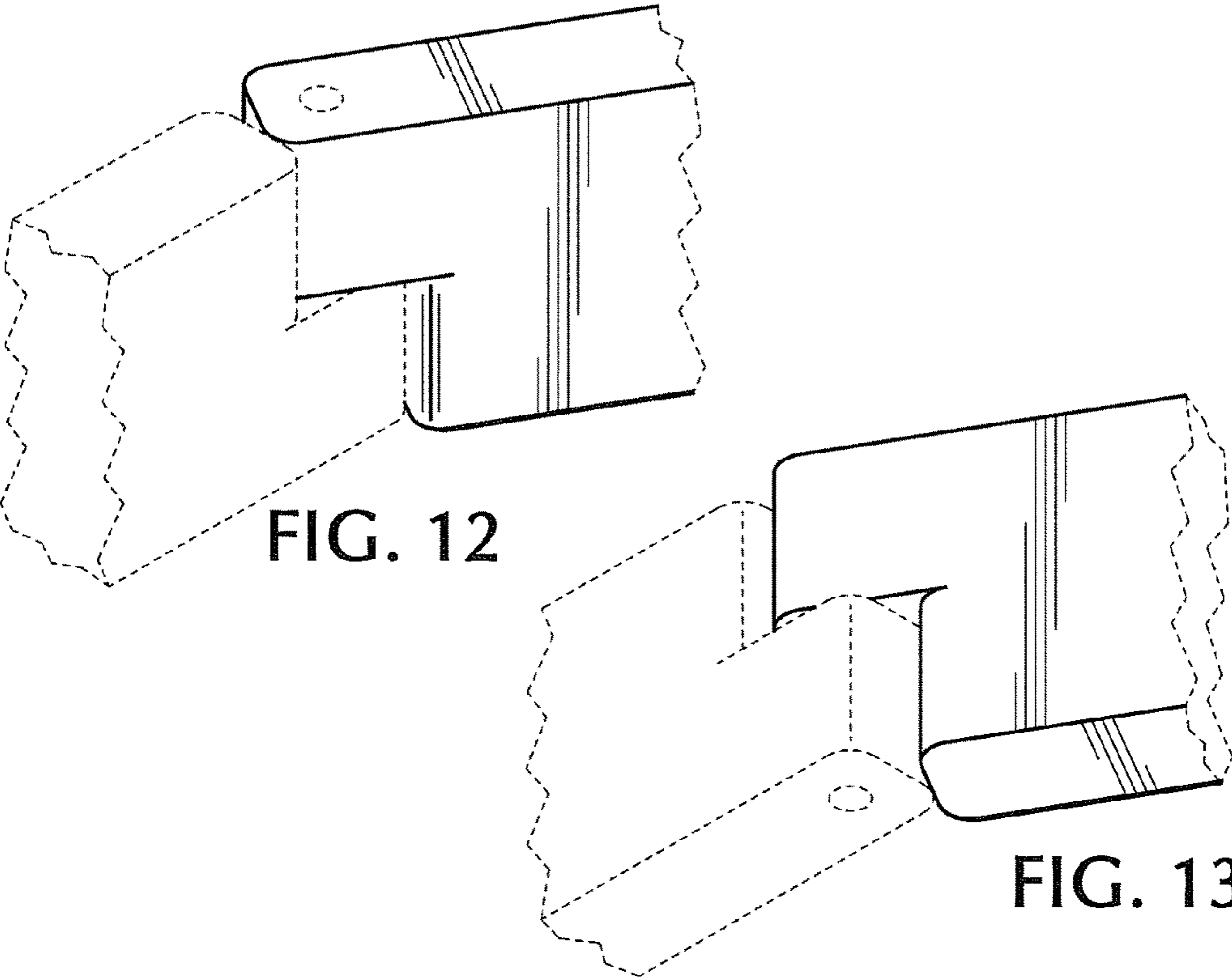
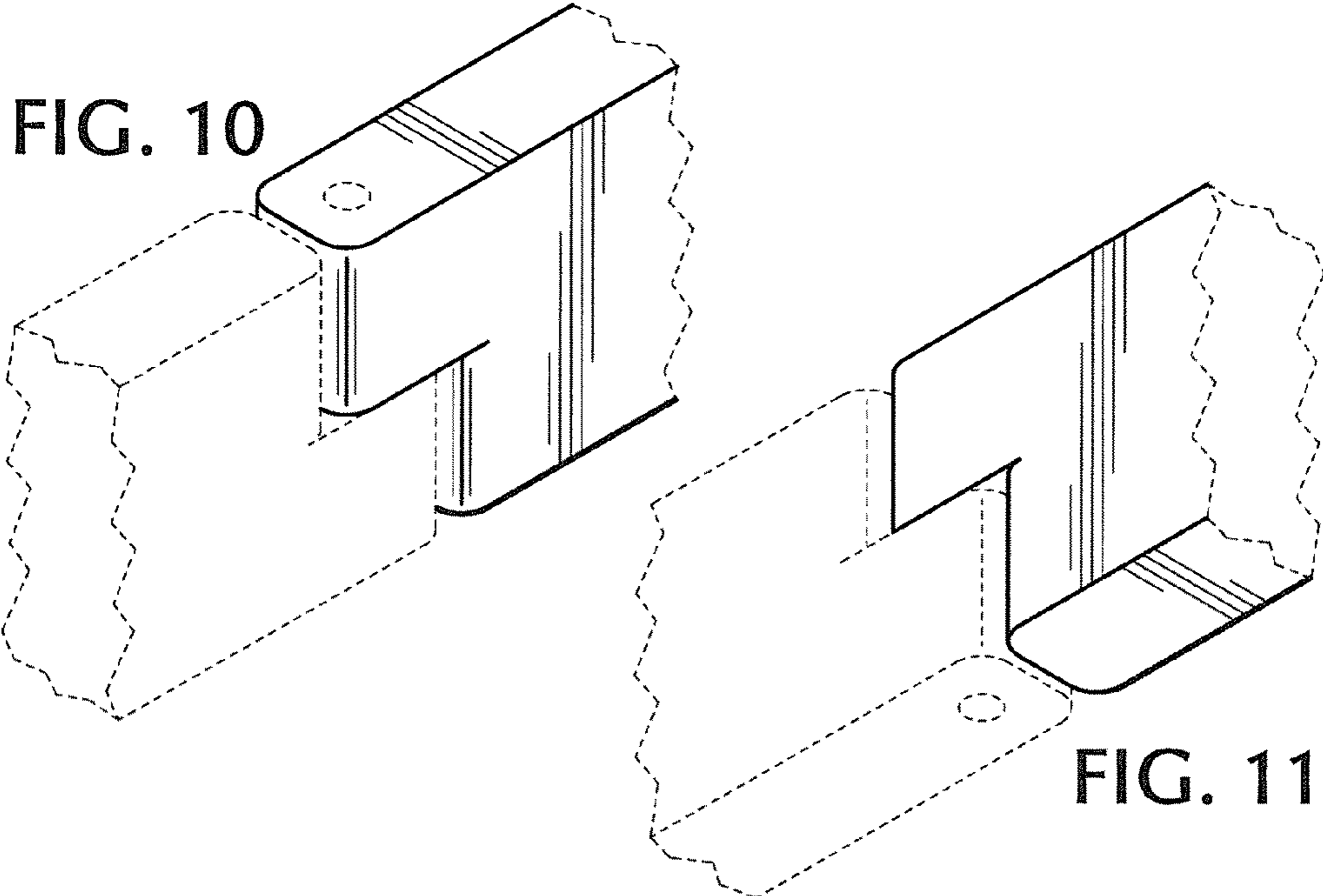


FIG. 3





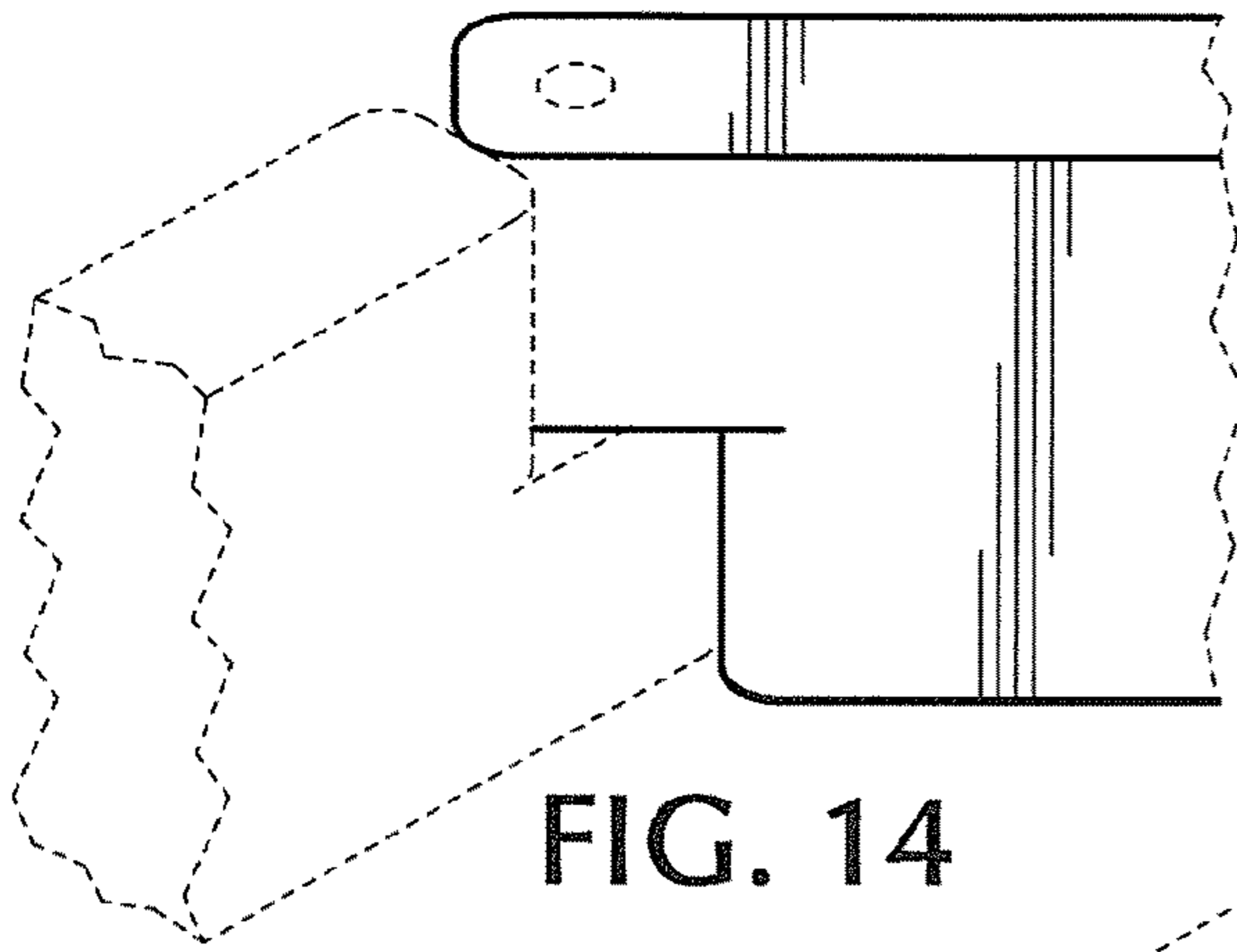


FIG. 14

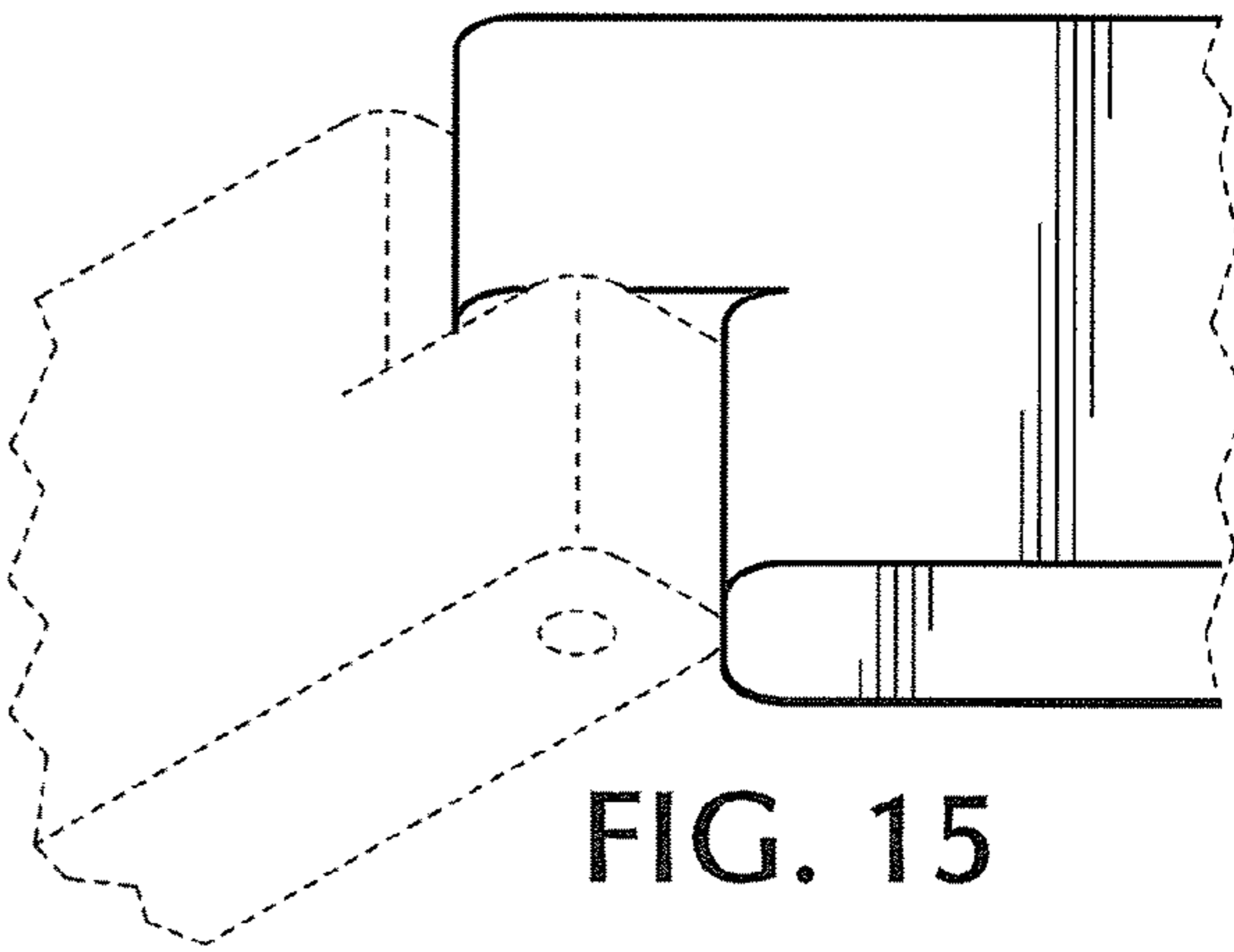


FIG. 15

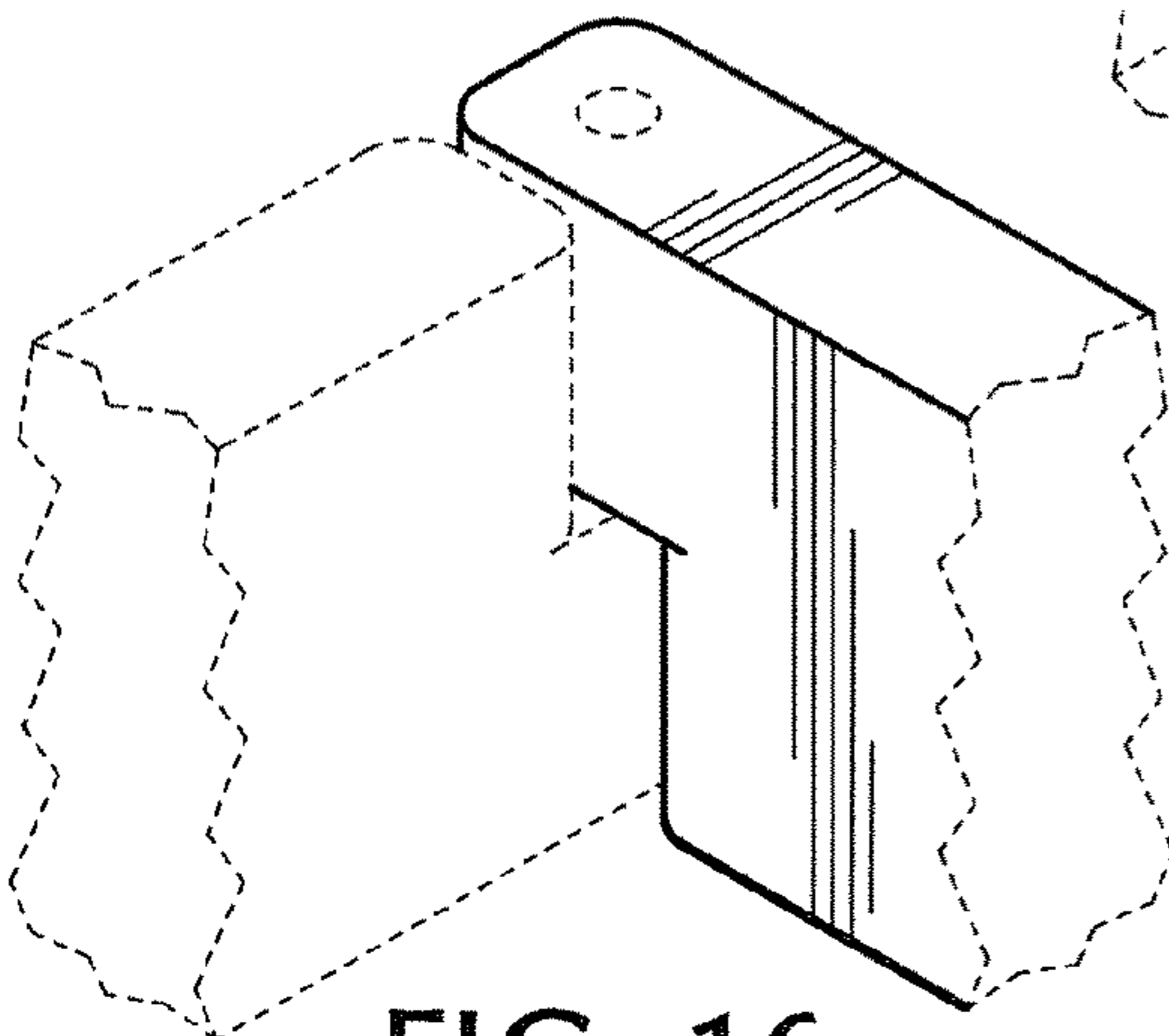


FIG. 16

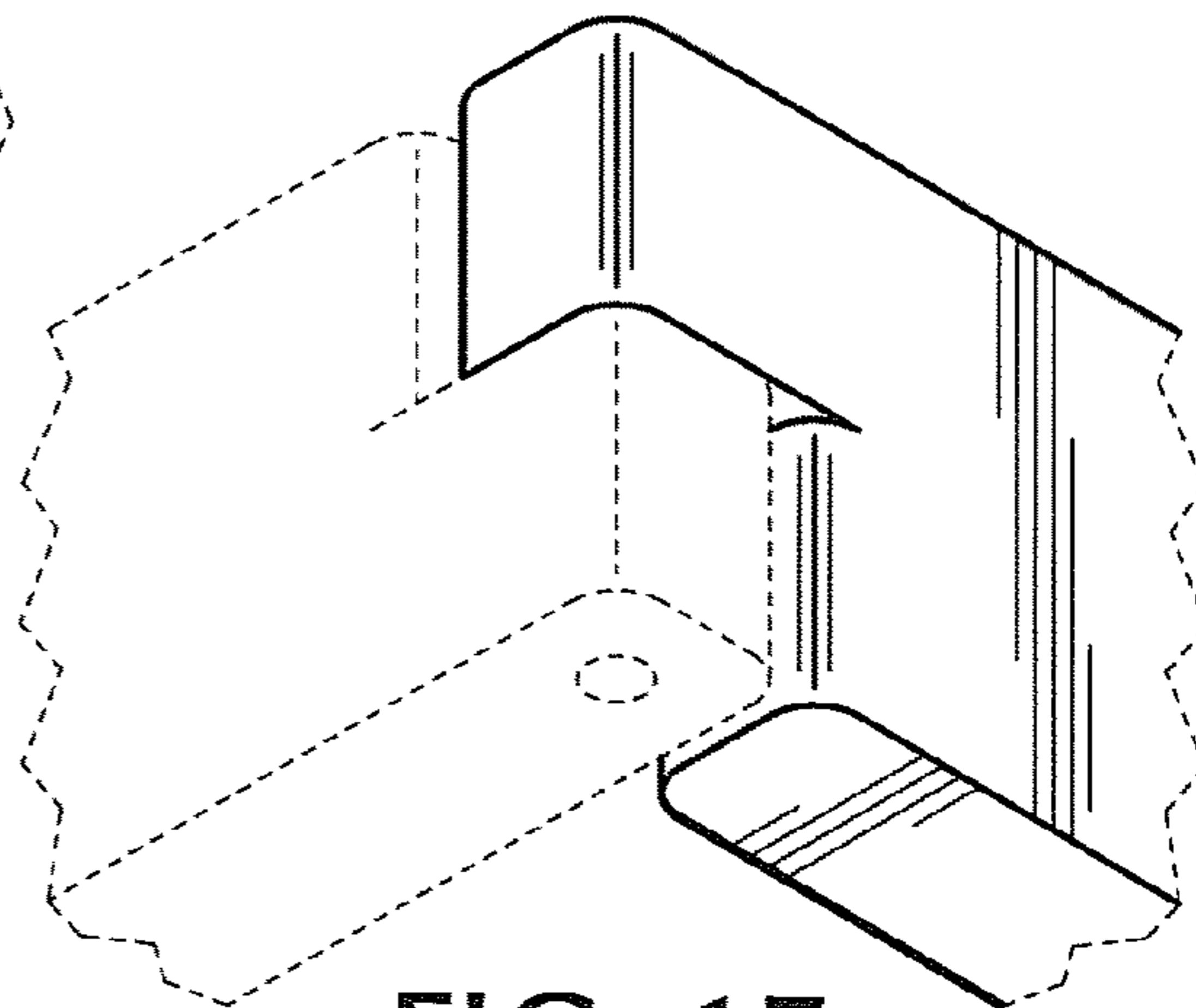


FIG. 17