



US00D646531S

(12) **United States Design Patent**  
**Murphy**

(10) **Patent No.:** **US D646,531 S**

(45) **Date of Patent:** **\*\* Oct. 11, 2011**

(54) **FUNNEL MEASURING CUP**

(76) Inventor: **Trisha A. Murphy**, Cartersville, GA  
(US)

(\*\*) Term: **14 Years**

(21) Appl. No.: **29/375,663**

(22) Filed: **Sep. 25, 2010**

(51) **LOC (9) Cl.** ..... **07-99**

(52) **U.S. Cl.** ..... **D7/700**

(58) **Field of Classification Search** ..... D7/589,  
D7/368, 667, 668, 669, 400, 412, 415, 700;  
141/95, 98, 198, 199, 200, 201, 202, 203,  
141/204, 205, 297, 298, 299, 30, 0, 331,  
141/332, 333, 334, 335, 336, 337, 338, 339,  
141/340, 341, 342, 34, 3, 344, 345; D10/46,  
D10/46.2, 46.3, 96, 101

See application file for complete search history.

(56) **References Cited**

**U.S. PATENT DOCUMENTS**

42,684	A *	6/1864	Otis	141/94
1,099,706	A *	6/1914	Lindeen	141/298
1,196,784	A *	9/1916	Jasper	141/84
1,368,640	A	2/1921	Melchior	
1,396,606	A *	11/1921	Vincent	141/326
1,612,383	A *	12/1926	Lepeshkin	141/300
1,662,147	A *	3/1928	Farden	141/339
D118,723	S *	1/1940	Martin	D7/700
D143,458	S *	1/1946	Zabel et al.	D7/700
2,811,181	A *	10/1957	Correll	141/340
D188,216	S *	6/1960	Dow	D10/46.2
3,123,106	A *	3/1964	Parhaniemi	141/204
D200,429	S *	2/1965	Worden	D7/700
3,245,437	A *	4/1966	Holz	141/331
D205,236	S *	7/1966	Ilg et al.	D7/700
D235,183	S *	5/1975	Braun	D7/667
D244,171	S	5/1977	Pearce	
D245,344	S *	8/1977	Fisher	D27/135

D266,400	S *	10/1982	Shatz	D15/152
D309,558	S	7/1990	Ayyoubi et al.	
D321,304	S	11/1991	Underwood et al.	
D325,497	S	4/1992	Albertson	
D332,035	S	12/1992	Pigott	
D334,514	S	4/1993	Fidler	
D341,147	S	11/1993	Pollak	
D341,992	S *	12/1993	Gasser	D7/400
5,322,097	A *	6/1994	Wright	141/199
D383,043	S	9/1997	Harris	
D397,002	S *	8/1998	Smith	D7/700
D424,437	S	5/2000	Smith	
6,425,424	B1 *	7/2002	Ellis Calvo et al.	141/331
6,497,818	B1 *	12/2002	Bunn	210/238
6,719,021	B1 *	4/2004	Jwu	141/331
D501,377	S	2/2005	Sanfilippo et al.	
D576,848	S	9/2008	Williams	
D593,383	S *	6/2009	Pallotto et al.	D7/700
D634,592	S *	3/2011	Bittner	D7/700

\* cited by examiner

*Primary Examiner* — Elizabeth J Oswecki

(74) *Attorney, Agent, or Firm* — QuickPatents, Inc.; Kevin Prince

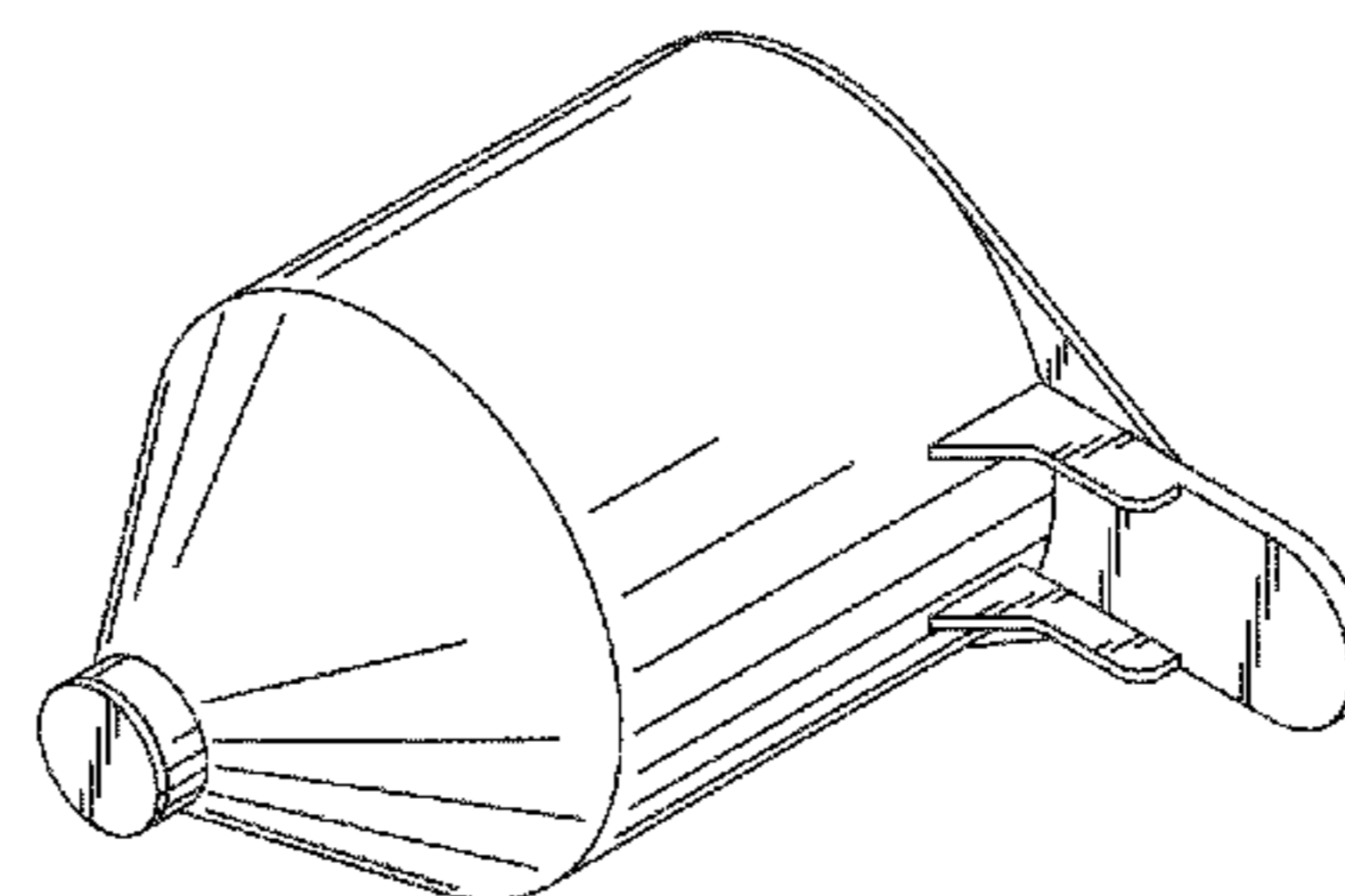
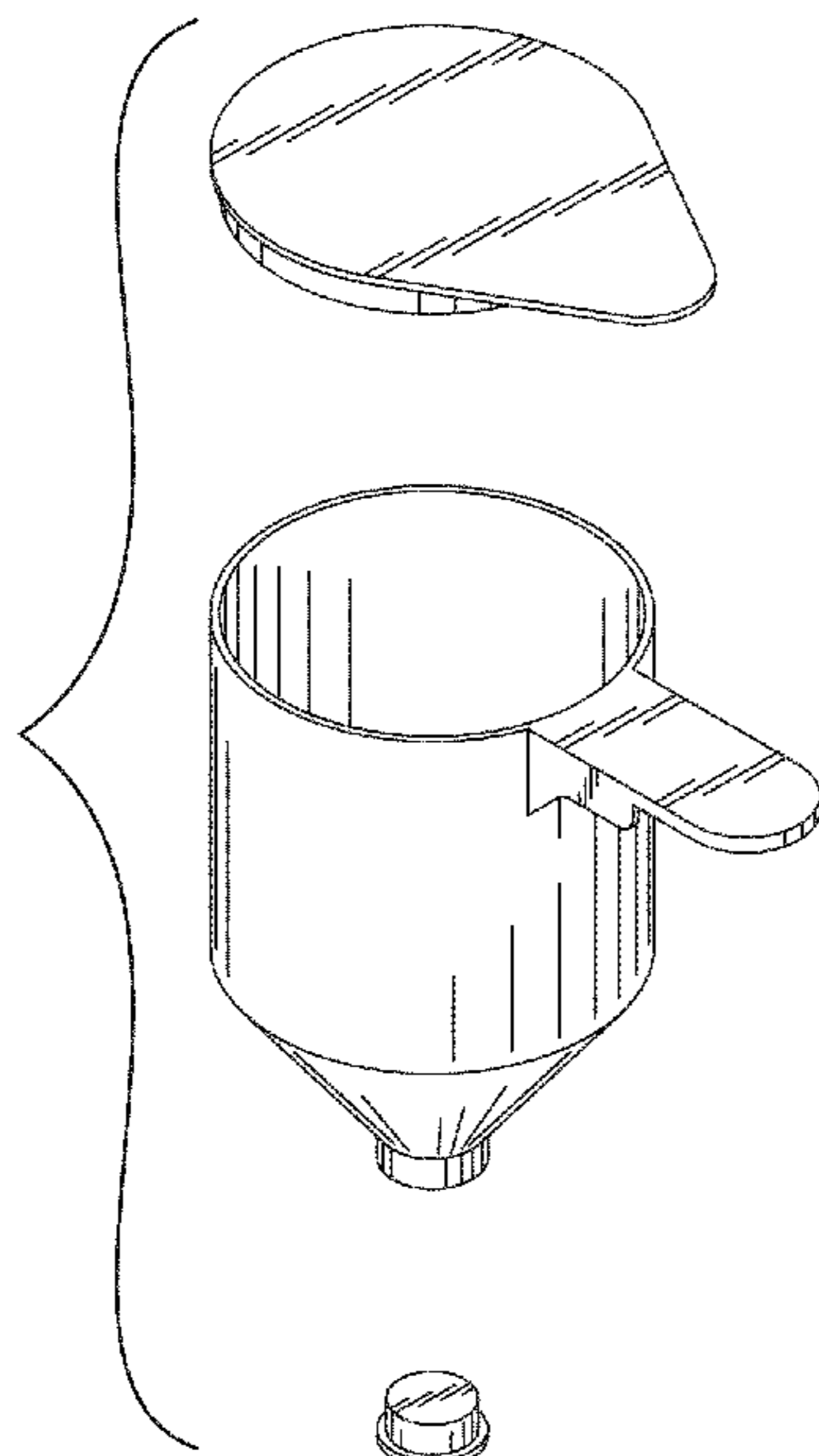
(57) **CLAIM**

What is claimed is the ornamental design for a funnel measuring cup, as shown and described.

**DESCRIPTION**

FIG. 1 is an exploded top perspective view of a funnel measuring cup, showing the new design;  
FIG. 2 is a bottom perspective view thereof;  
FIG. 3 is a front elevational view thereof;  
FIG. 4 is a rear elevational view thereof;  
FIG. 5 is a left-side elevational view thereof, the right-side elevational view being a mirror image thereof;  
FIG. 6 is a top plan view thereof; and,  
FIG. 7 is a bottom plan view thereof.

**1 Claim, 2 Drawing Sheets**



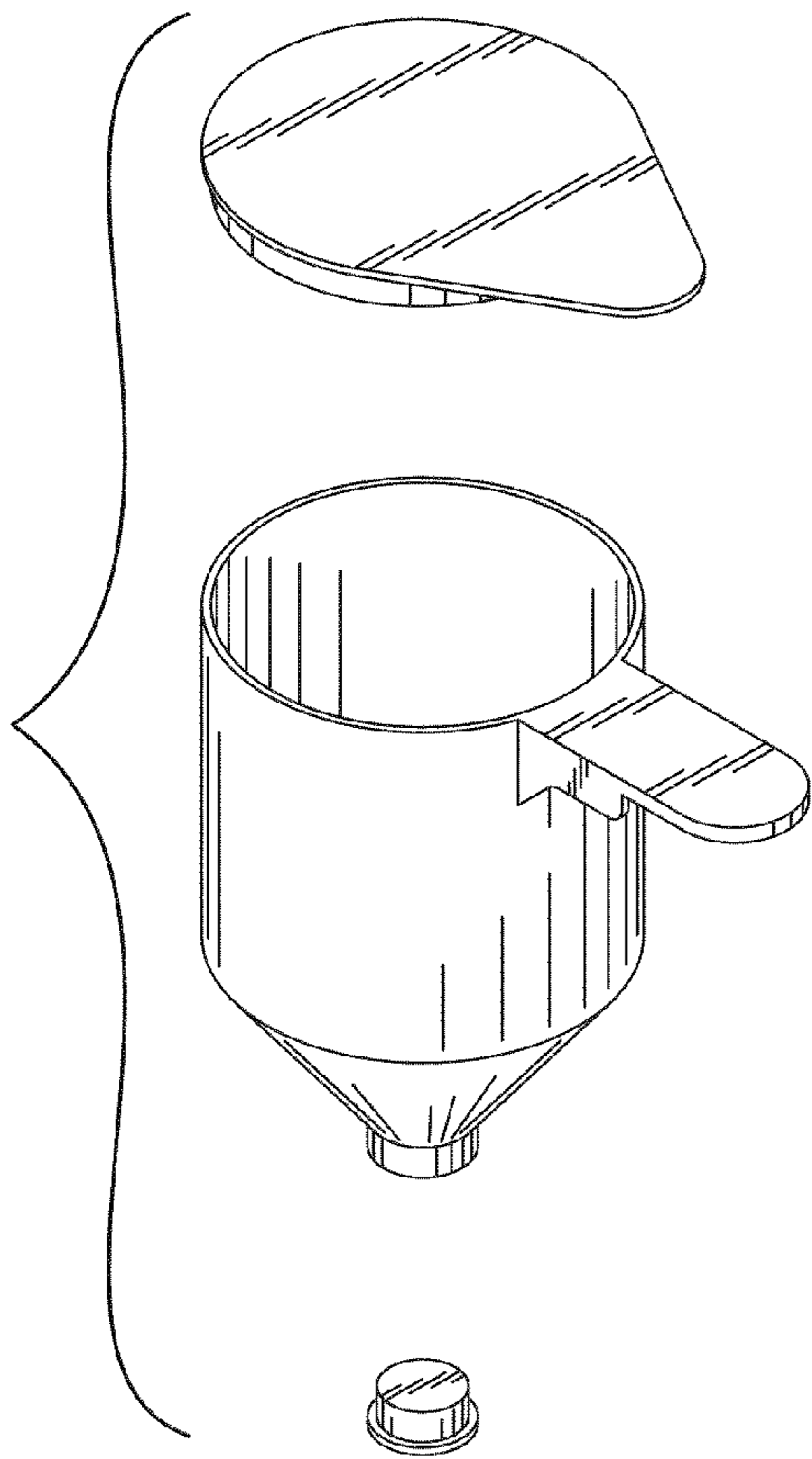


FIG. 1

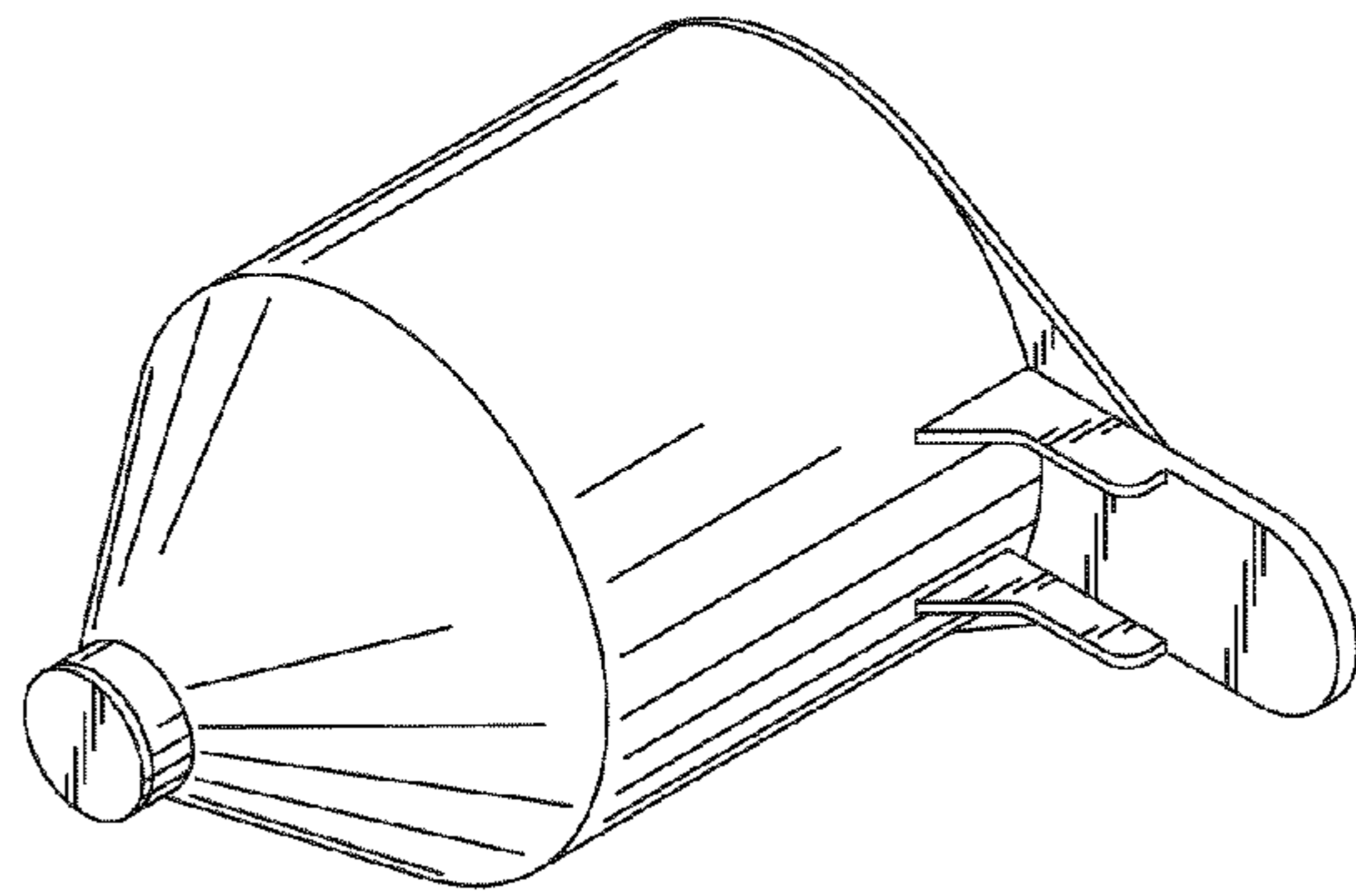


FIG. 2

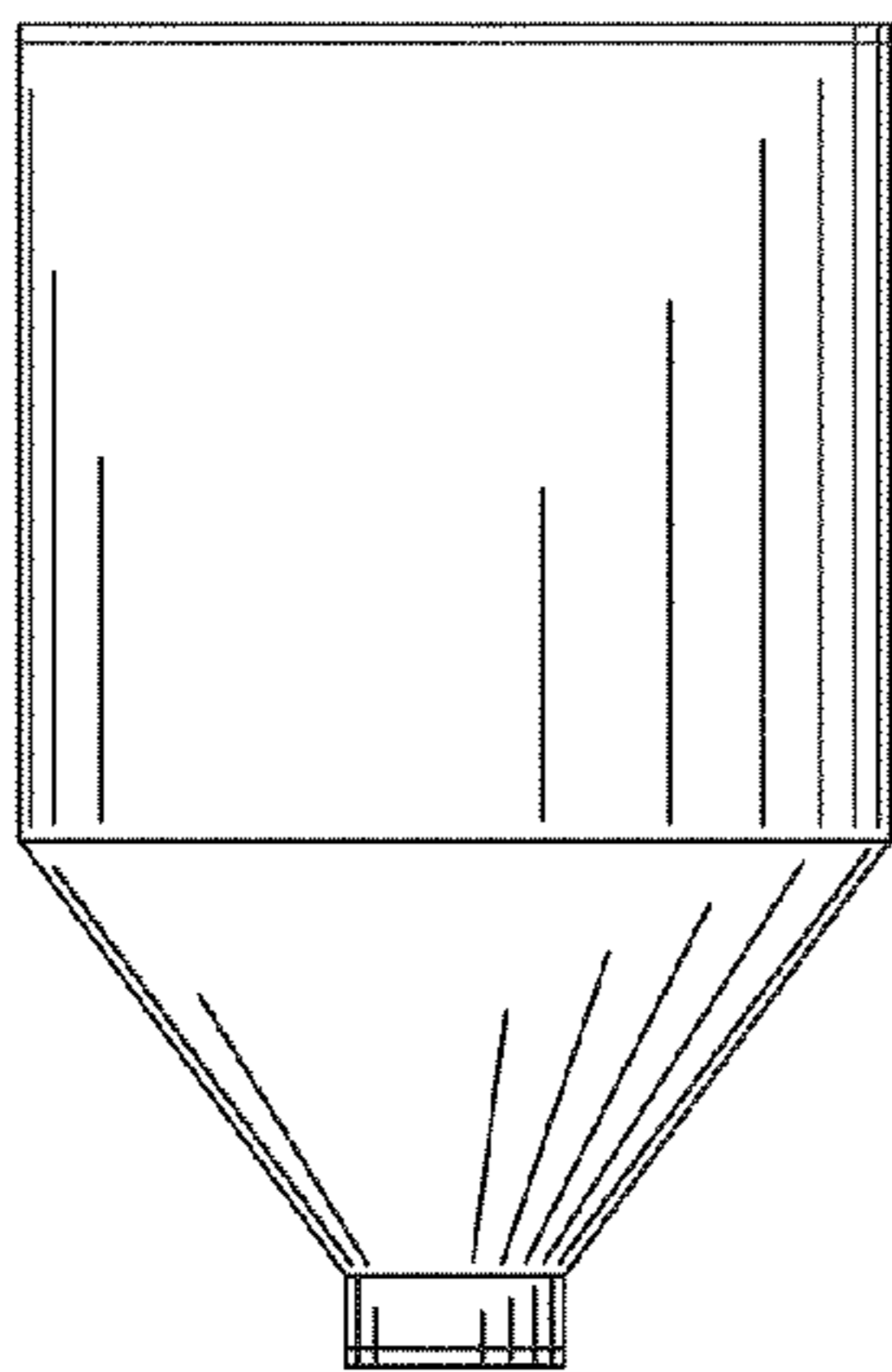


FIG. 3

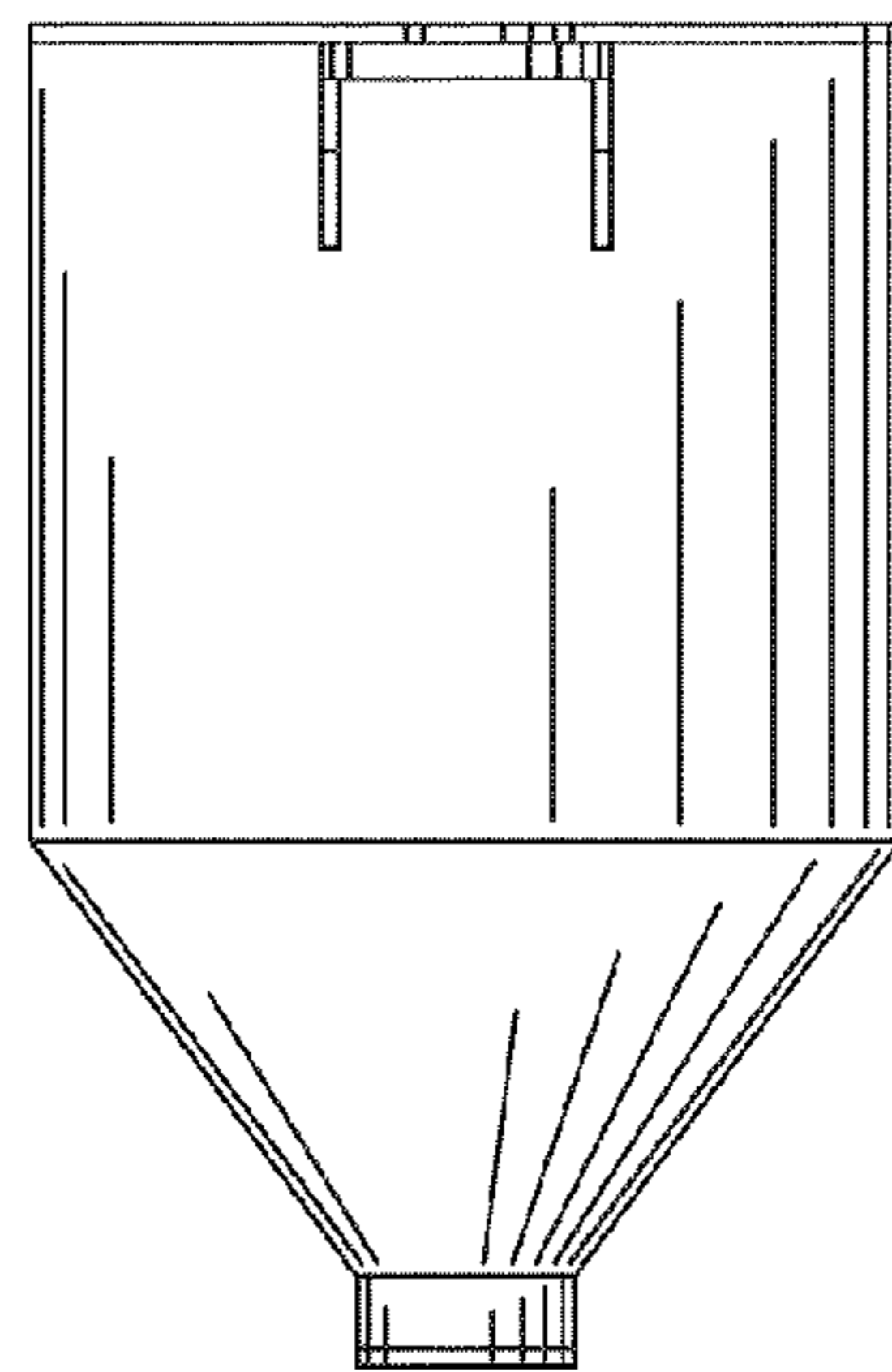


FIG. 4

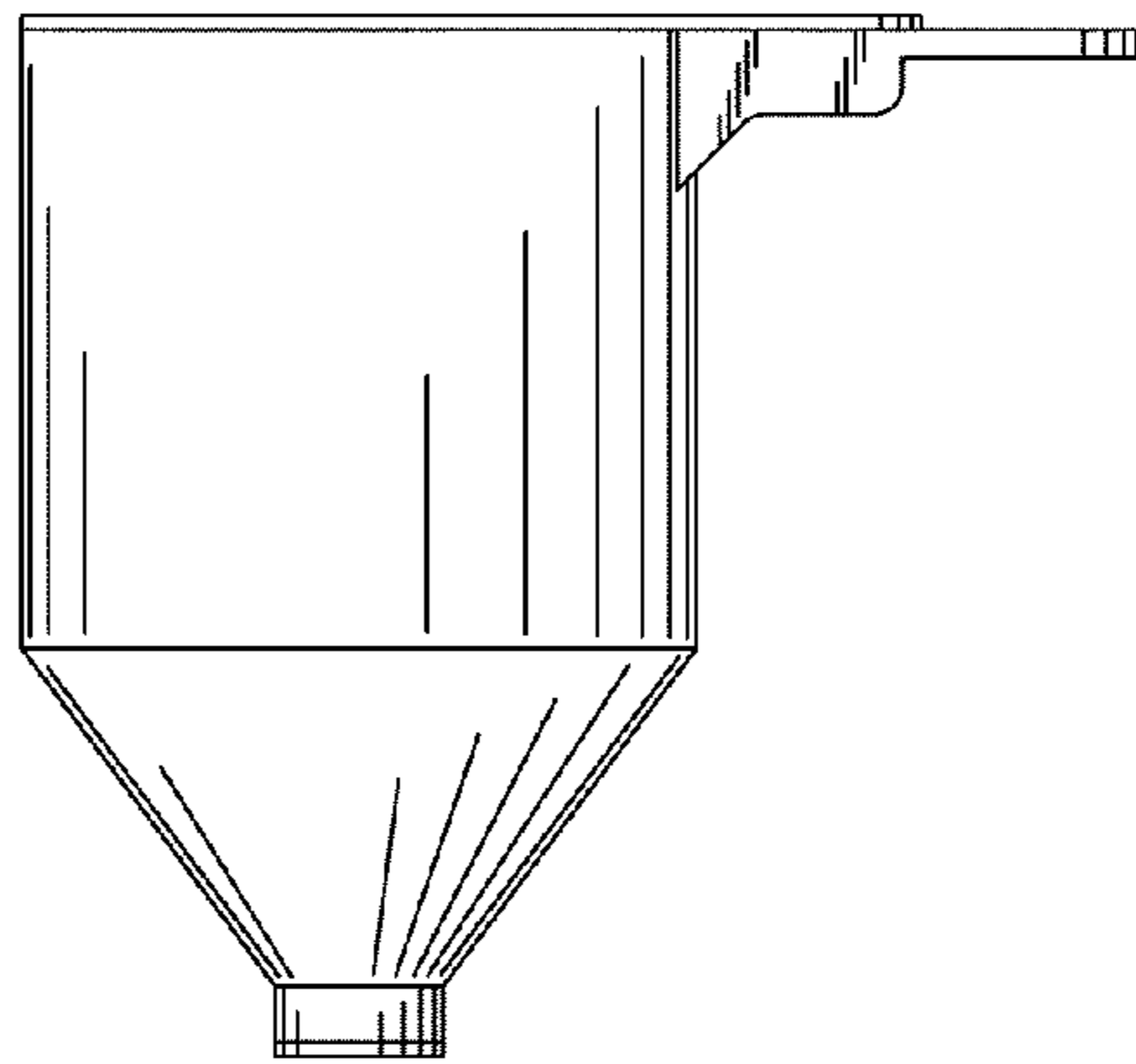


FIG. 5

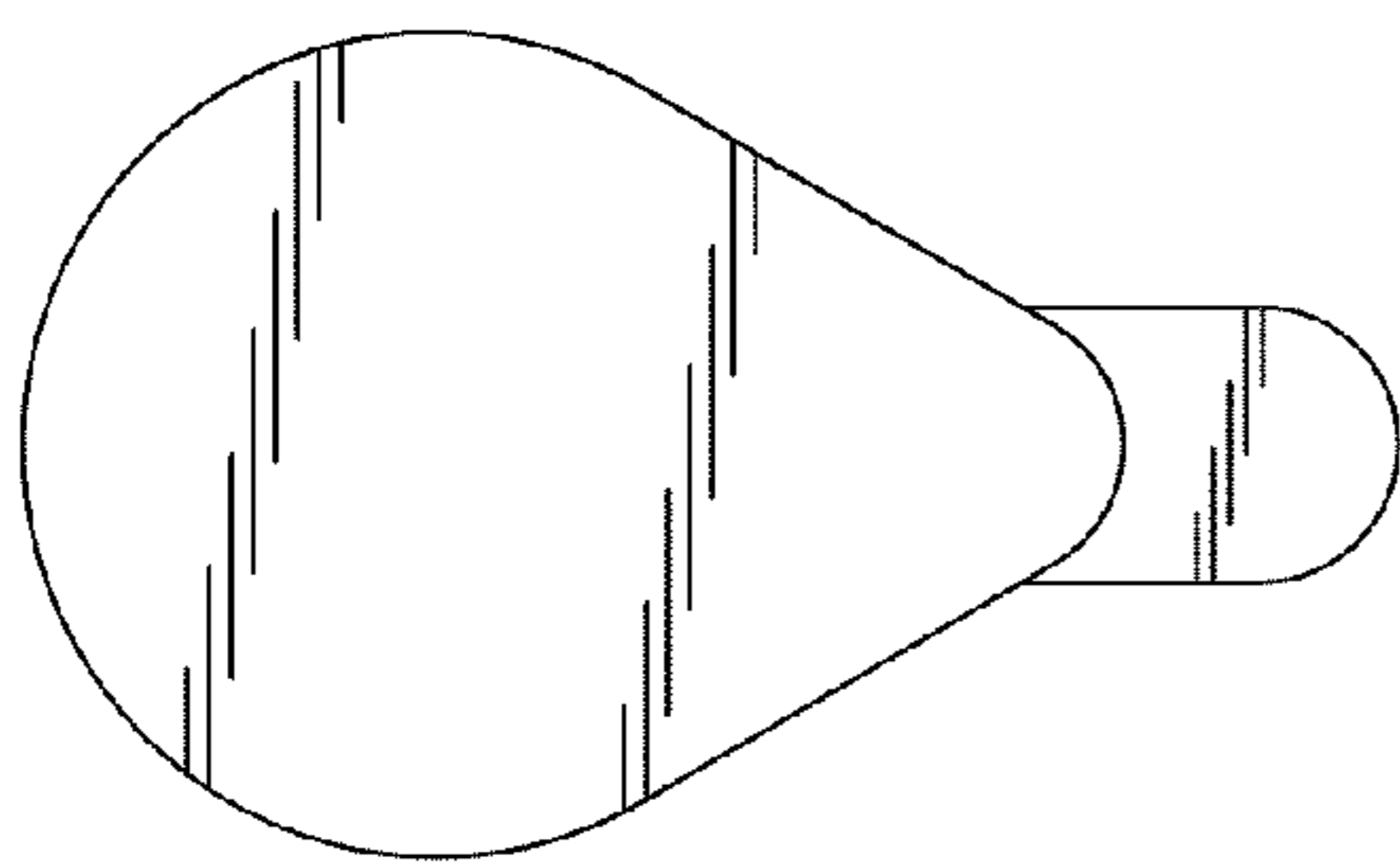


FIG. 6

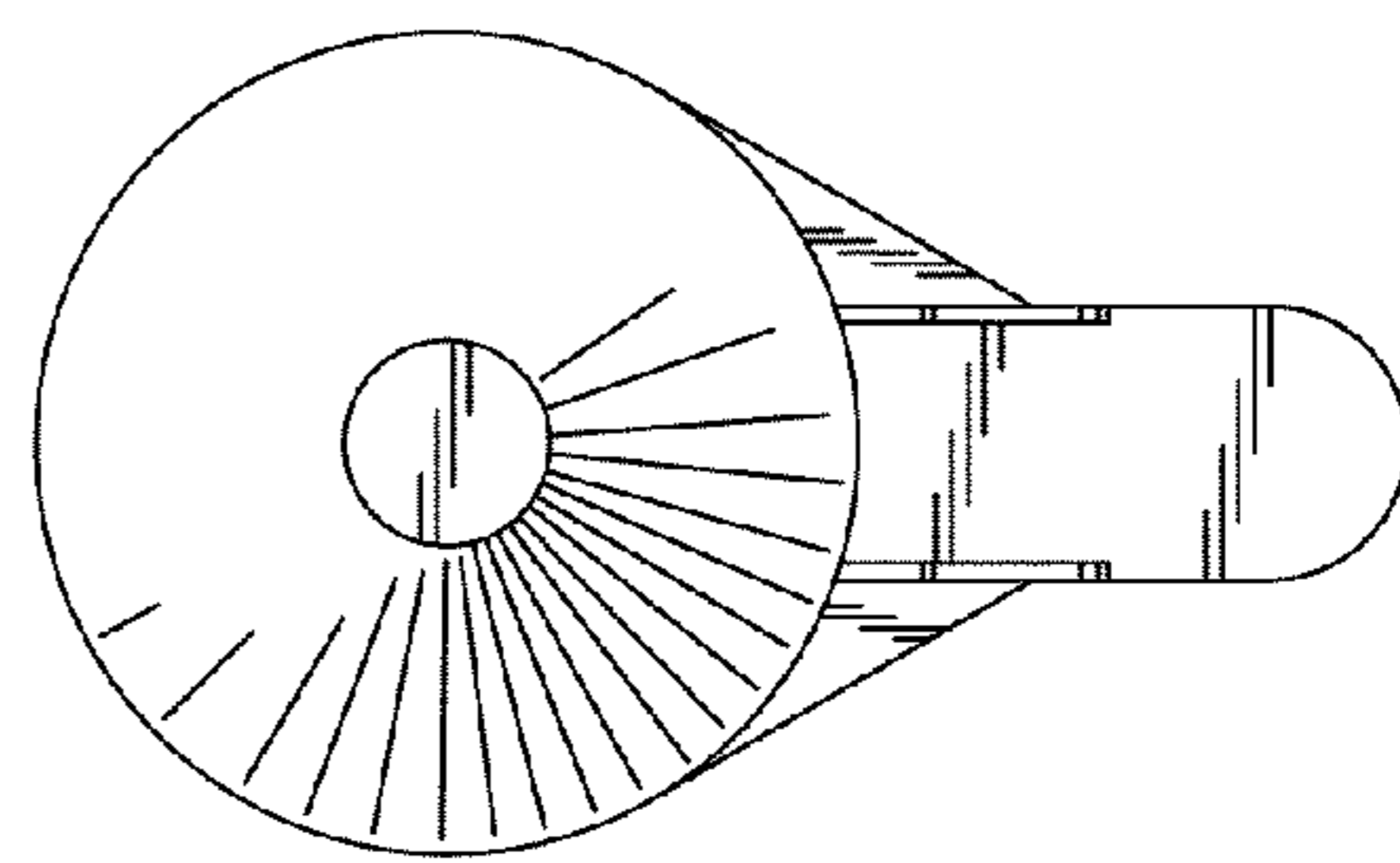


FIG. 7