



US00D646530S

(12) **United States Design Patent**
Citrin

(10) **Patent No.:** **US D646,530 S**

(45) **Date of Patent:** **** Oct. 11, 2011**

(54) **CONFECTION CONTAINER**

(75) Inventor: **Andrew Citrin**, Las Vegas, NV (US)

(73) Assignee: **Amusemints, LLC**, Denver, CO (US)

(**) Term: **14 Years**

(21) Appl. No.: **29/375,283**

(22) Filed: **Sep. 20, 2010**

(51) **LOC (9) Cl.** **07-01**

(52) **U.S. Cl.** **D7/692**

(58) **Field of Classification Search** D7/601,
D7/602, 629, 538-542, 391-392.1; D9/424-462;
220/574-575, 780-806, 236

See application file for complete search history.

(56) **References Cited**

U.S. PATENT DOCUMENTS

D287,559	S	*	1/1987	Daenen et al.	D7/586
4,976,370	A	*	12/1990	Cassel	220/792
D479,955	S	*	9/2003	Samartgis	D7/629
6,793,096	B1	*	9/2004	Seok	220/788
D505,840	S	*	6/2005	Schultz et al.	D7/629
D551,515	S	*	9/2007	Ablo et al.	D7/629
D595,128	S	*	6/2009	Bouvet et al.	D9/425
D606,812	S	*	12/2009	Wu	D7/629

D614,919	S	*	5/2010	Carlson	D7/602
D618,516	S	*	6/2010	DiPietro et al.	D7/629
2005/0035125	A1	*	2/2005	Bae	220/326

* cited by examiner

Primary Examiner — Terry Wallace

(74) *Attorney, Agent, or Firm* — Schiff Hardin LLP

(57) **CLAIM**

The ornamental design for a confection container, as shown and described.

DESCRIPTION

FIG. 1 is a perspective view of the confection container showing my new design;

FIG. 2 is a top view of the confection container shown in FIG. 1;

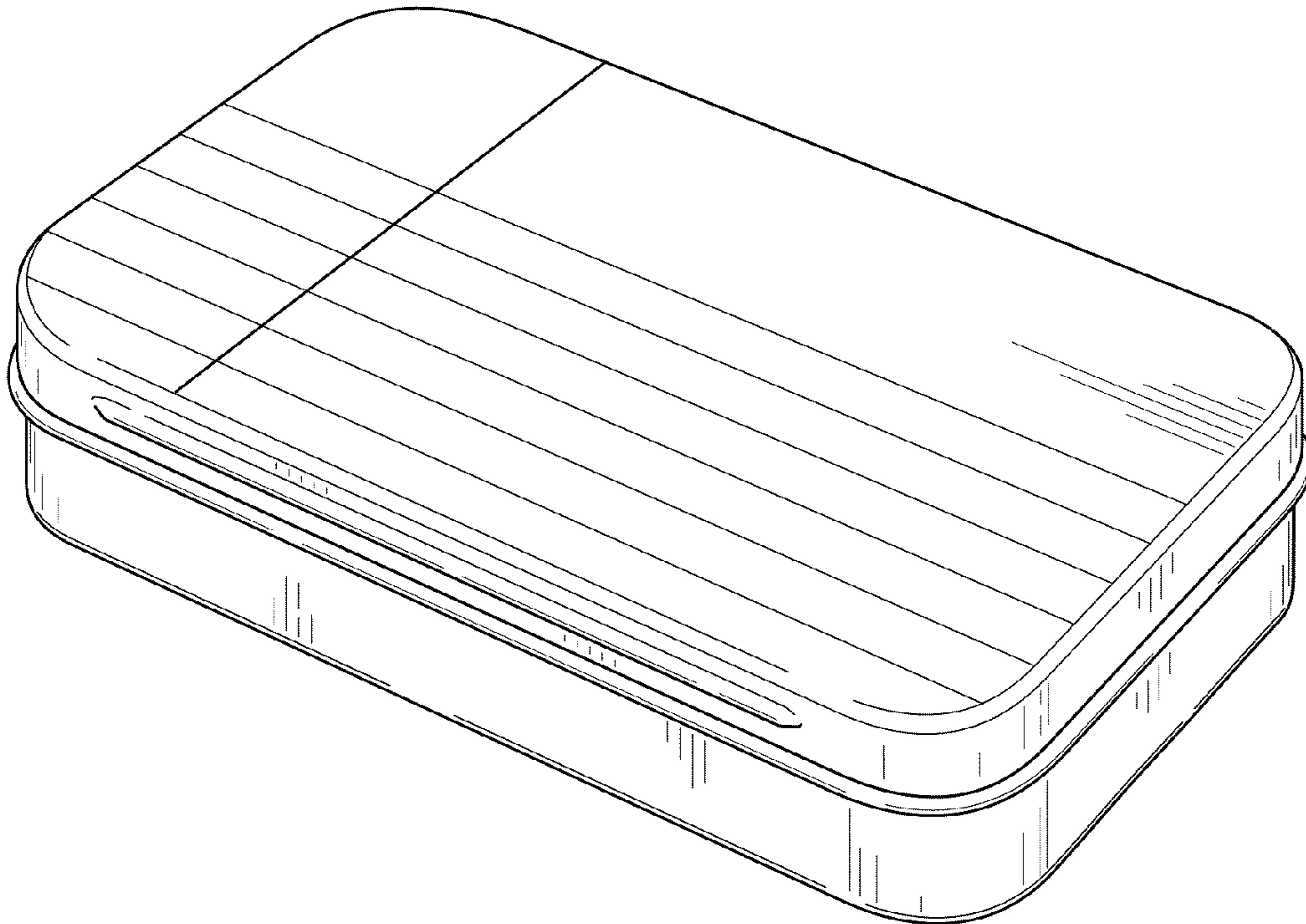
FIG. 3 is a bottom view of the confection container shown in FIG. 1;

FIG. 4 is a side view of the confection container shown in FIG. 1;

FIG. 5 is a front view of the confection container shown in FIG. 1; and,

FIG. 6 is a front perspective view of the confection container shown in FIG. 1 with a lid removed from a base of the confection container.

1 Claim, 4 Drawing Sheets



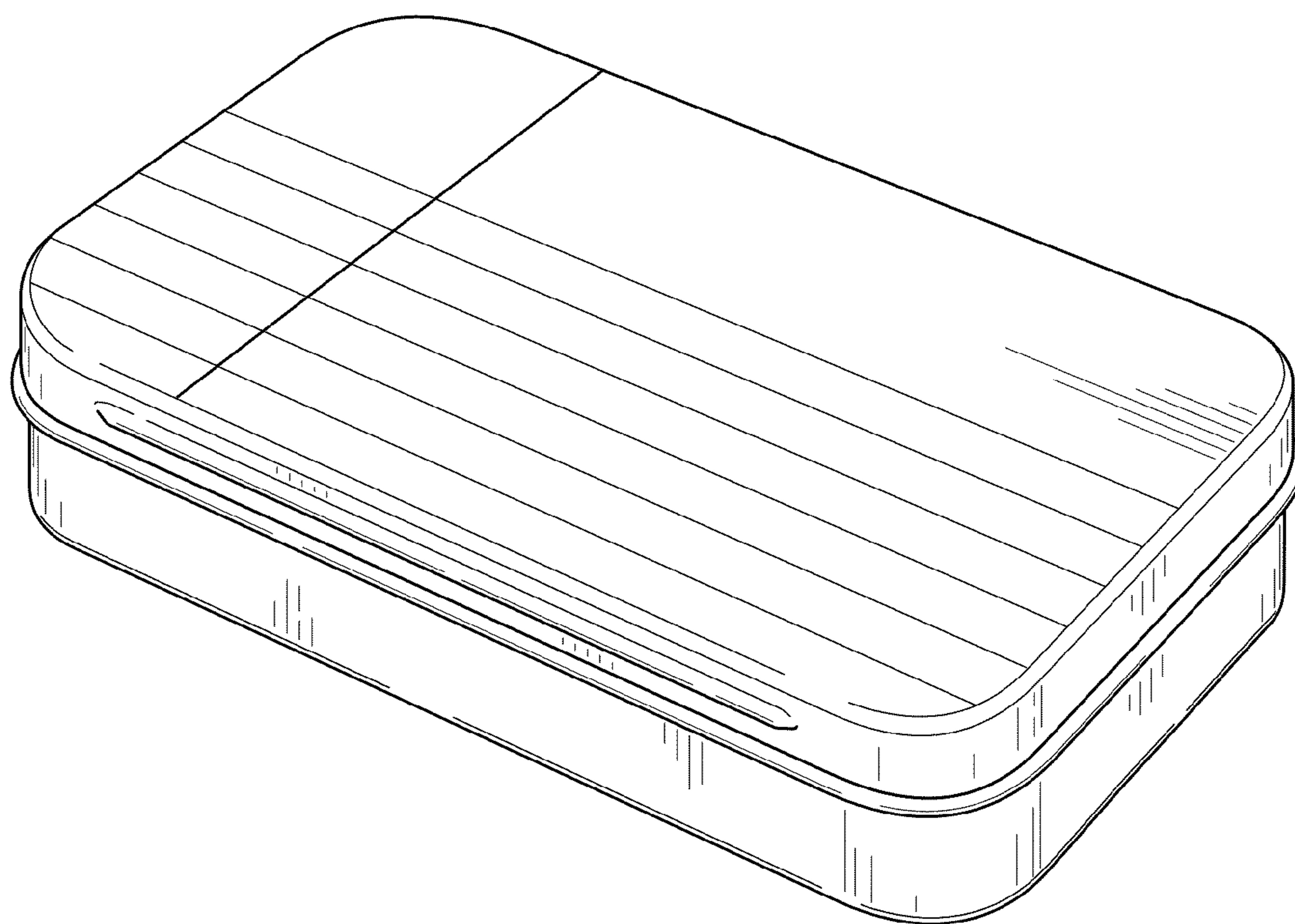


FIG. 1

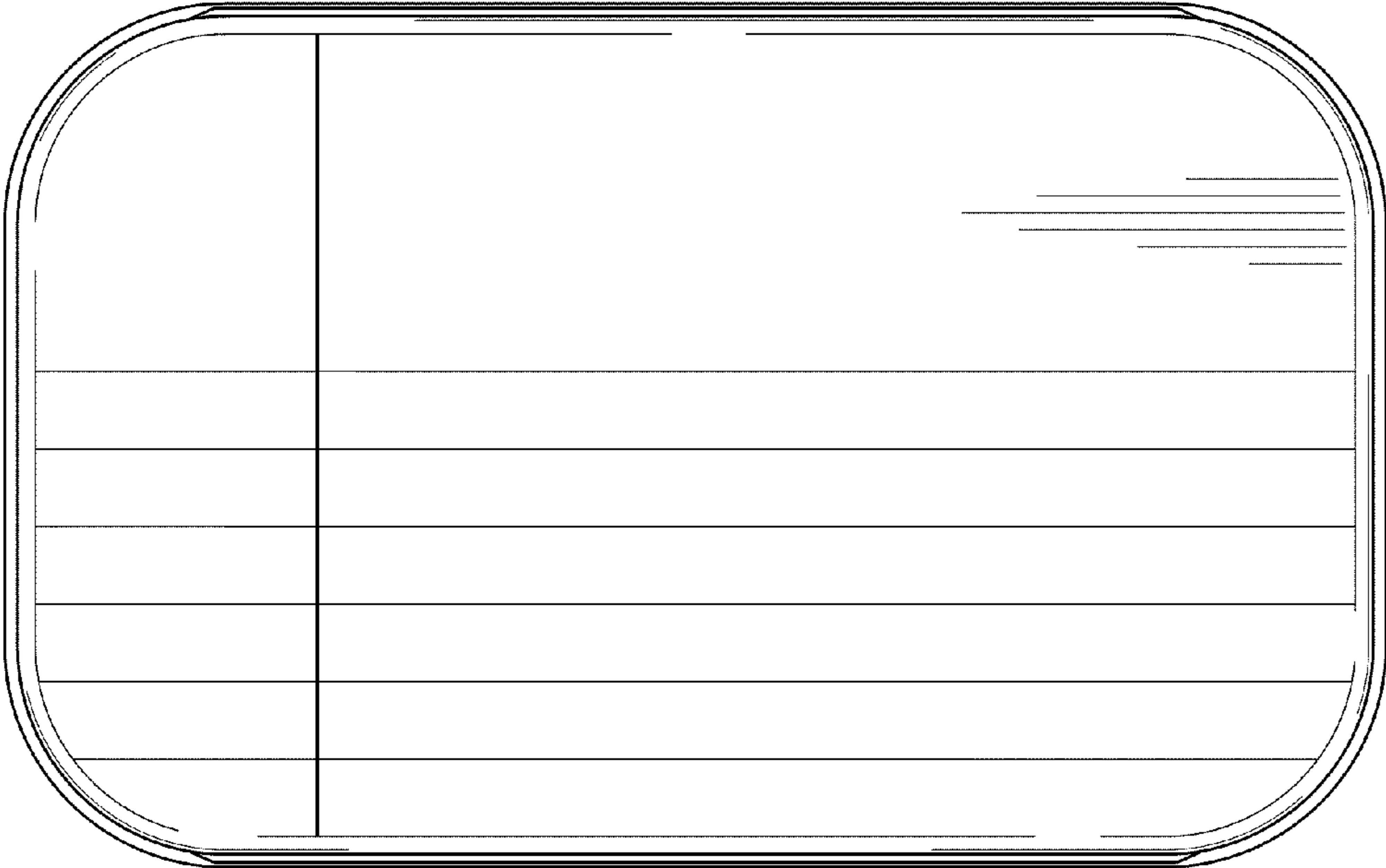


FIG. 2

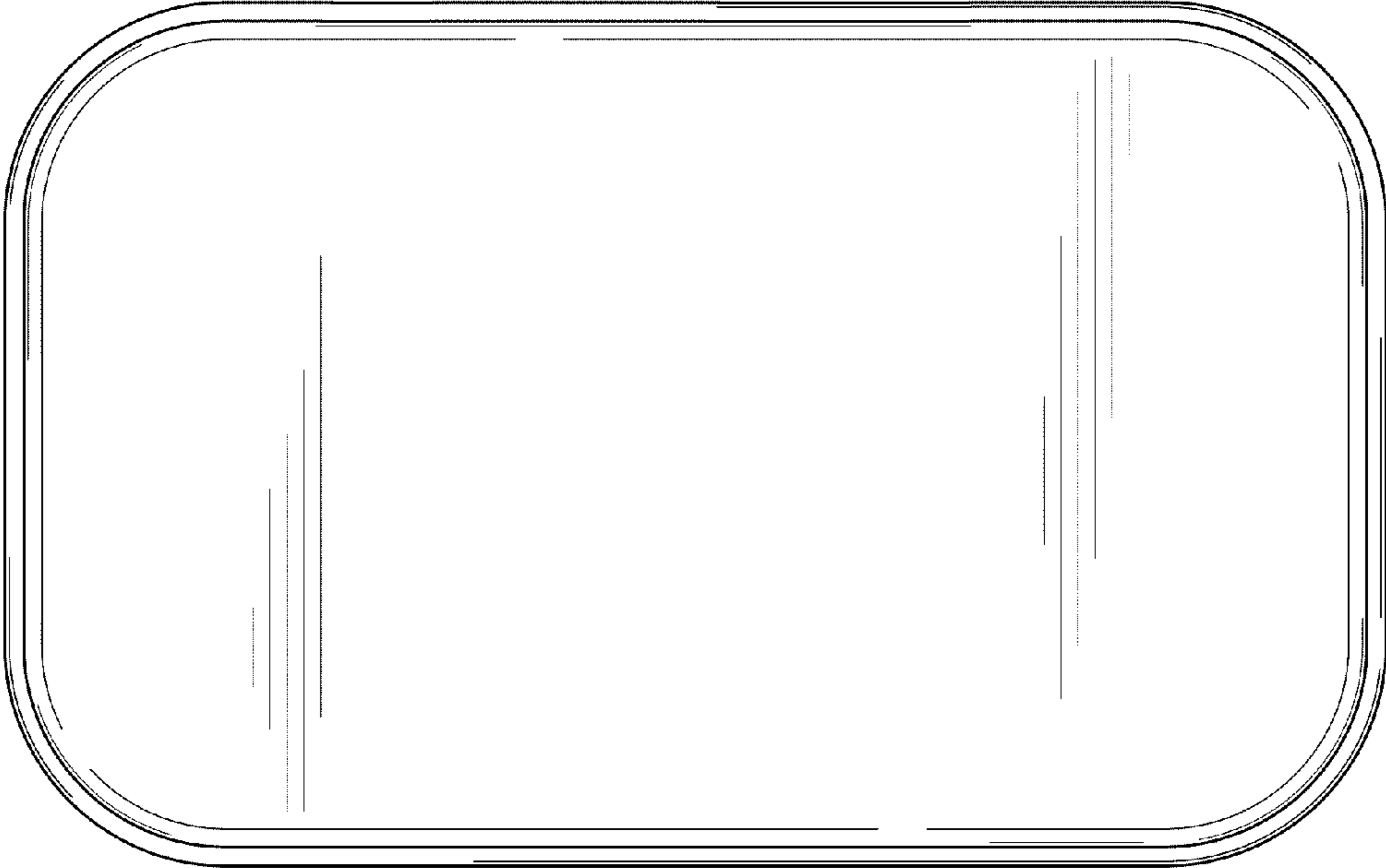


FIG. 3

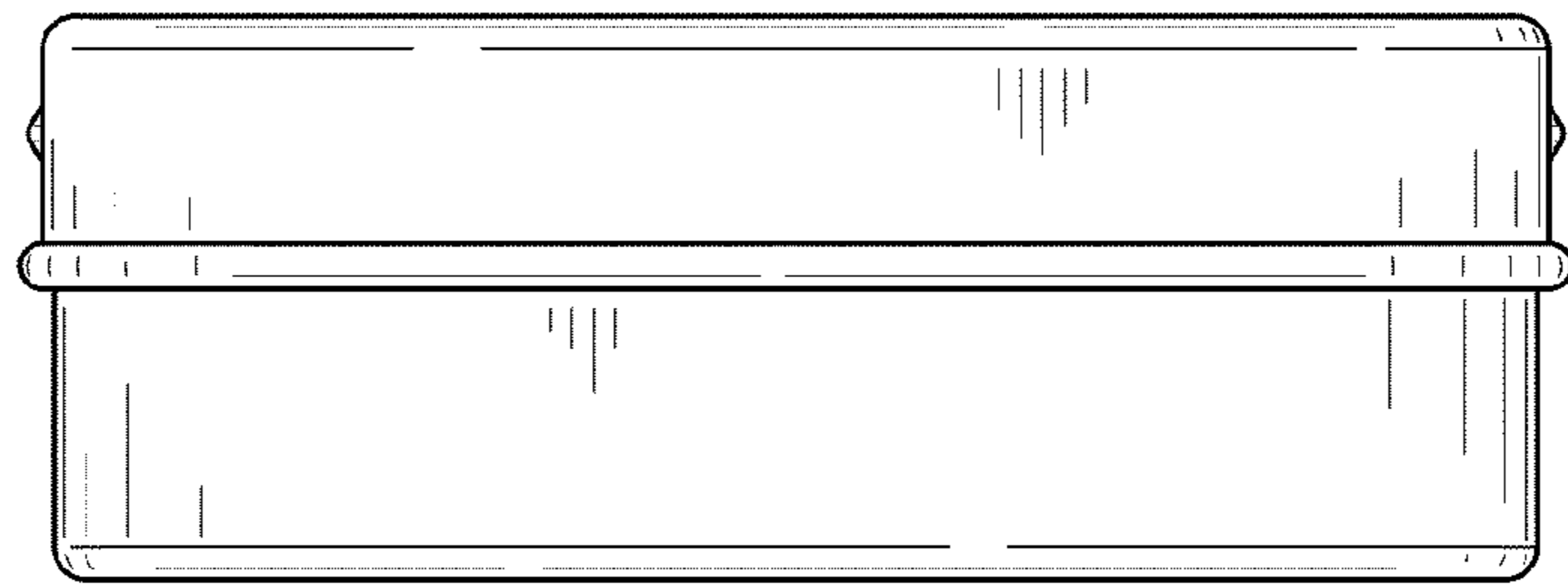


FIG. 4

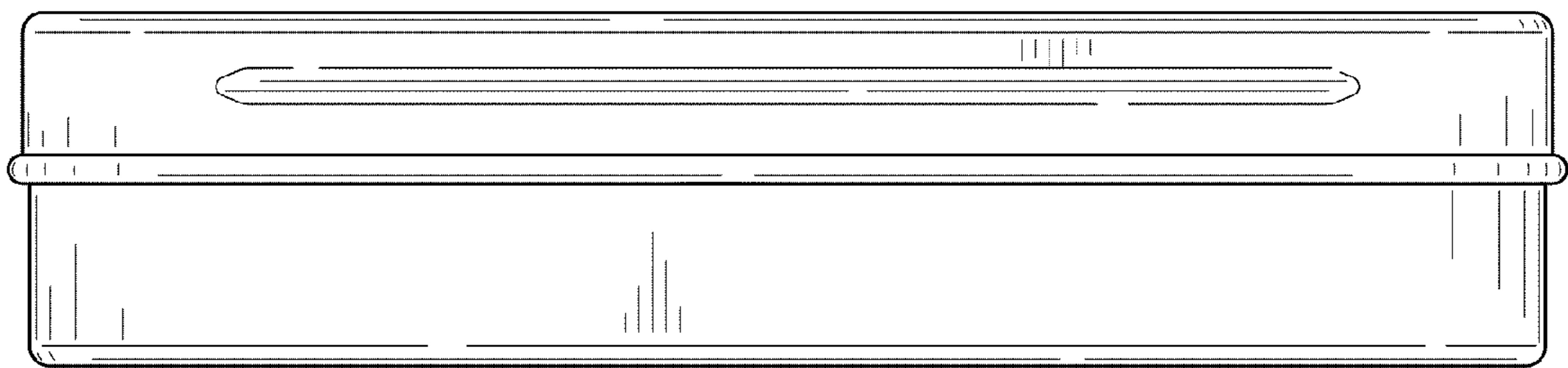


FIG. 5

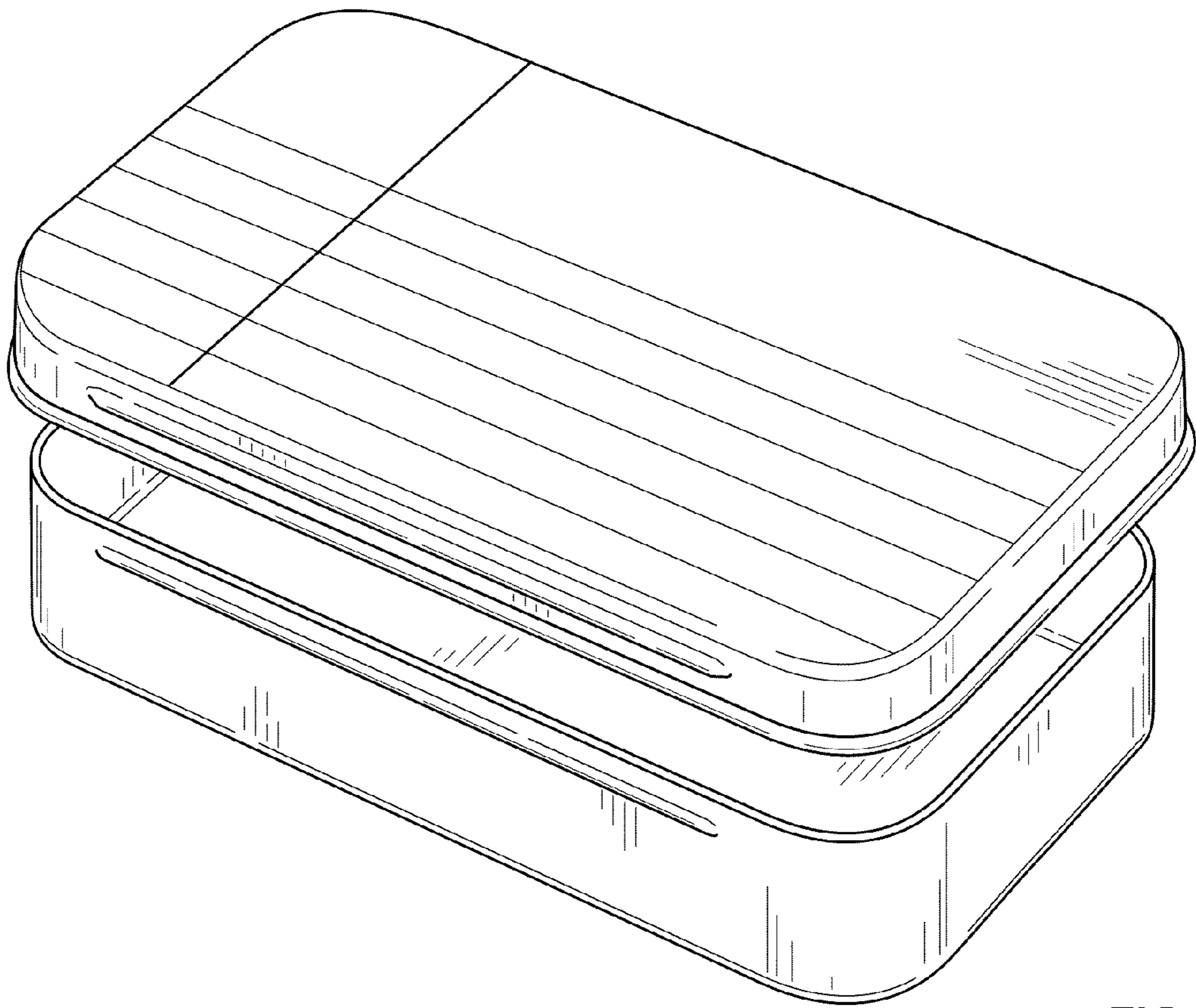


FIG. 6