



US00D646528S

(12) **United States Design Patent**  
**Stallman et al.**

(10) **Patent No.:** **US D646,528 S**  
(45) **Date of Patent:** **\*\* Oct. 11, 2011**

(54) **COOLER WITH SEAT AND ANTI-TIP SUPPORT SUPPORT**

(76) Inventors: **James J. Stallman**, N. Olmsted, OH (US); **Paul R. Metcalfe**, Solon, OH (US); **Scott E. Urban**, Cleveland, OH (US); **Anil V. Singaraju**, Brunswick, OH (US)

(\*\*) Term: **14 Years**

(21) Appl. No.: **29/323,862**

(22) Filed: **Sep. 2, 2008**

(51) **LOC (9) Cl.** ..... **09-01**

(52) **U.S. Cl.** ..... **D7/605**

(58) **Field of Classification Search** ..... D7/601-602, D7/604-607, 619, 629, 641, 701, 703, 705-707, D7/709; 220/915.1-915.2; 383/84, 86, 118; 62/371, 457.1, 457.7; 150/100, 103, 107, 150/110, 118

See application file for complete search history.

(56) **References Cited**

U.S. PATENT DOCUMENTS

323,610	A	8/1885	Van Wie	.....	248/188.1
361,882	A	4/1887	Luft		
1,156,367	A	10/1915	Masler		
1,673,988	A	6/1928	Nitti		
2,423,659	A	7/1947	Rabe	.....	248/188.9
2,493,084	A	1/1950	Pharo		
2,812,227	A	11/1957	Hill		
2,919,169	A	12/1959	Jackson		
2,941,579	A	6/1960	Barker	.....	297/310
3,077,327	A	2/1963	Batie et al.		
3,145,646	A	8/1964	Levy		
3,230,006	A	1/1966	Sokolis		
4,067,607	A	1/1978	Battles		

(Continued)

*Primary Examiner* — Ian Simmons

*Assistant Examiner* — Dana L Sipos

(74) *Attorney, Agent, or Firm* — D.A. Stauffer Patent Services

(57) **CLAIM**

The ornamental design for a cooler with seat and anti-tip support, as shown and described.

**DESCRIPTION**

FIG. 1 is a top, front left side perspective view of a cooler with seat and anti-tip support showing our new design; all movable elements being in a closed position, except for an access hatch lid and one of two seat backs;

FIG. 2 is a front elevation view thereof, with all movable elements being in a closed position;

FIG. 3 is a left side elevation view thereof;

FIG. 4 is a right side elevation view thereof;

FIG. 5 is a rear elevation view thereof;

FIG. 6 is a top plan view of FIG. 2;

FIG. 7 is a bottom plan view thereof;

FIG. 8 is a bottom plan view thereof, with an anti-tip support in an extended (or opened) position;

FIG. 9 is a right side elevation view of FIG. 8, with the seat backs in the open position and the anti-tip support in the extended (or opened) position;

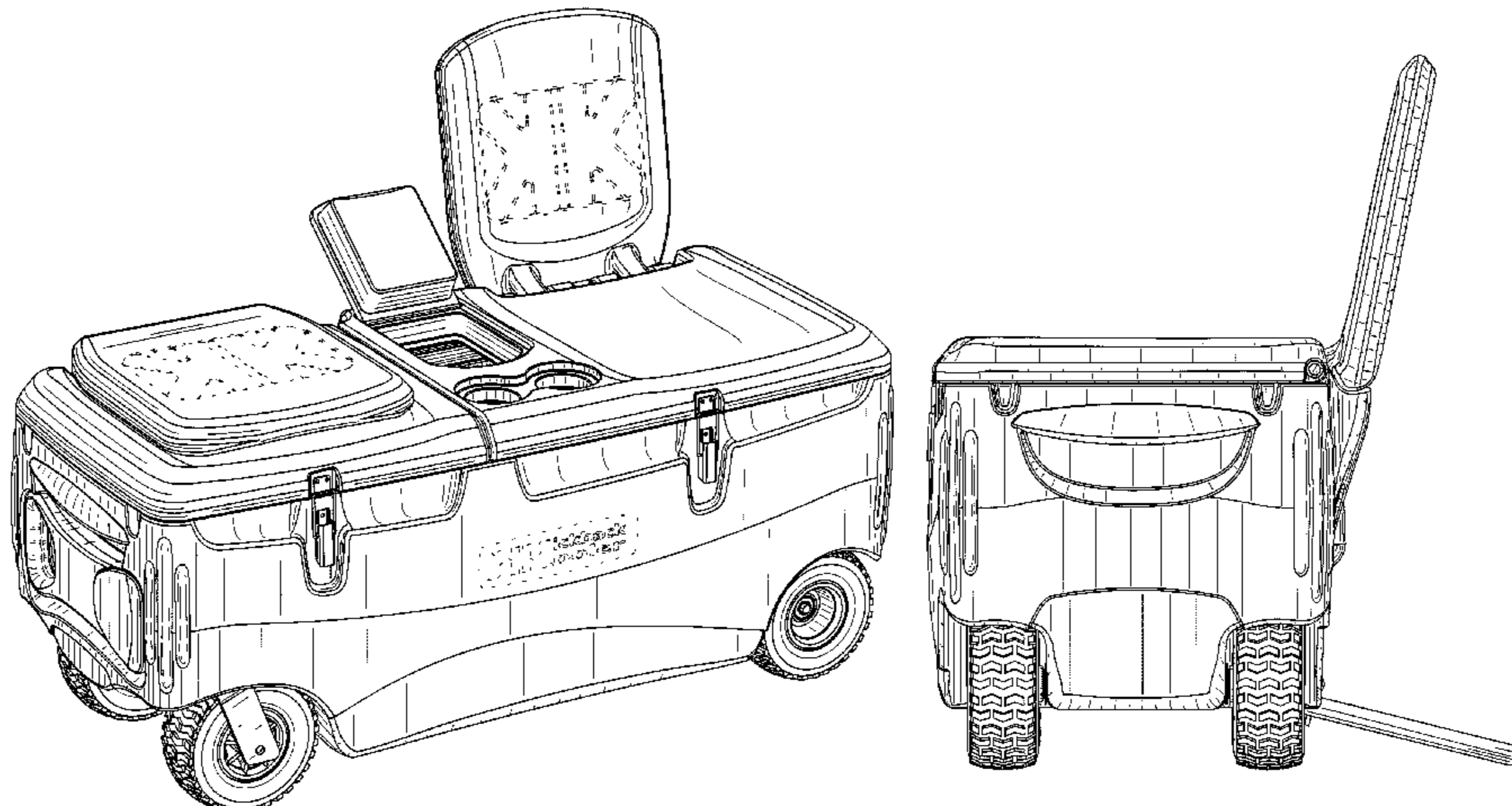
FIG. 10 is a top, front, left side perspective view of the cooler with seat and anti-tip support of the present invention, with cooler compartment lids in the open position and a pull handle unfolded and fully extended; and,

FIG. 11 is a partial top, rear, left side perspective view of the cooler with seat and anti-tip support of the present invention, with the pull handle partially extended.

Portions of the drawings that are shown with broken lines are for environmental purposes only, and do not constitute part of the claimed design.

The article in which the claimed design is embodied is a cooler with seat and anti-tip support (alternatively referenced herein as a "cooler/seat"). The cooler/seat provides one or more thermally insulated cooler compartments with latchable hinged lids and an access hatch with a hinged lid. One or more seats are provided on the lid(s), each having a hinged seatback supported in an upright (opened) position. An anti-tip support extends outward beyond the simple footprint of the cooler/seat itself, thereby providing extra support for resisting tipping when a seat is in use. The cooler/seat is transportable by means of wheels and a fold-away pull handle.

**1 Claim, 9 Drawing Sheets**



# US D646,528 S

Page 2

---

U.S. PATENT DOCUMENTS					
4,228,894	A	10/1980 Lyles	5,727,844	A	3/1998 O'Quinn et al. .... 297/217.1
4,353,182	A	10/1982 Junkas et al.	5,882,070	A	3/1999 Genn
4,474,407	A	10/1984 Nazar	D429,606	S *	8/2000 Israel et al. .... D7/605
4,541,539	A	9/1985 Matthews	6,283,544	B1	9/2001 Alcala et al.
D298,186	S *	10/1988 Brannon ..... D6/336	6,341,817	B1	1/2002 Stern-Gonzalez ..... 297/188.1
4,883,317	A	11/1989 Davenport	6,502,900	B1	1/2003 Johnston
D312,000	S *	11/1990 Smith et al. .... D6/336	6,520,609	B1	2/2003 Beauregard et al.
5,100,198	A	3/1992 Baltzell	D479,440	S *	9/2003 Kennedy ..... D7/605
5,269,157	A	12/1993 Ciminelli et al. .... 62/457.7	6,712,711	B1	3/2004 Skelton et al.
5,435,642	A	7/1995 Kennedy	6,733,073	B2	5/2004 Whiteside et al.
5,435,643	A	7/1995 Kennedy	7,309,106	B2	12/2007 Stallman ..... 297/310
5,595,429	A	1/1997 Kennedy	2002/0084731	A1	7/2002 Konishi
5,622,404	A	4/1997 Menne	2003/0141789	A1	7/2003 Gorelick
5,692,335	A	12/1997 Magnuson	2004/0160147	A1	8/2004 Bochner

\* cited by examiner

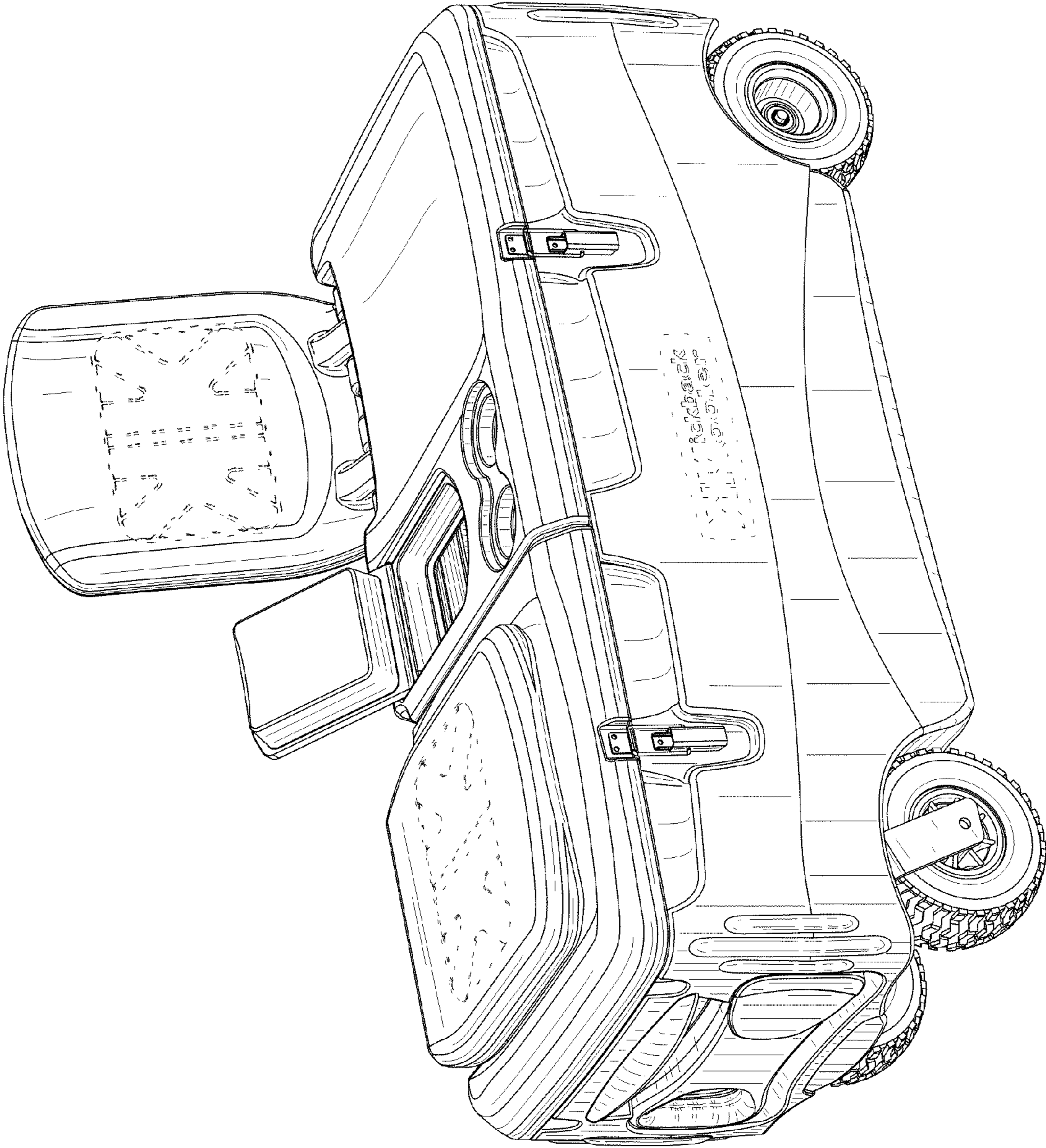


FIG. 1

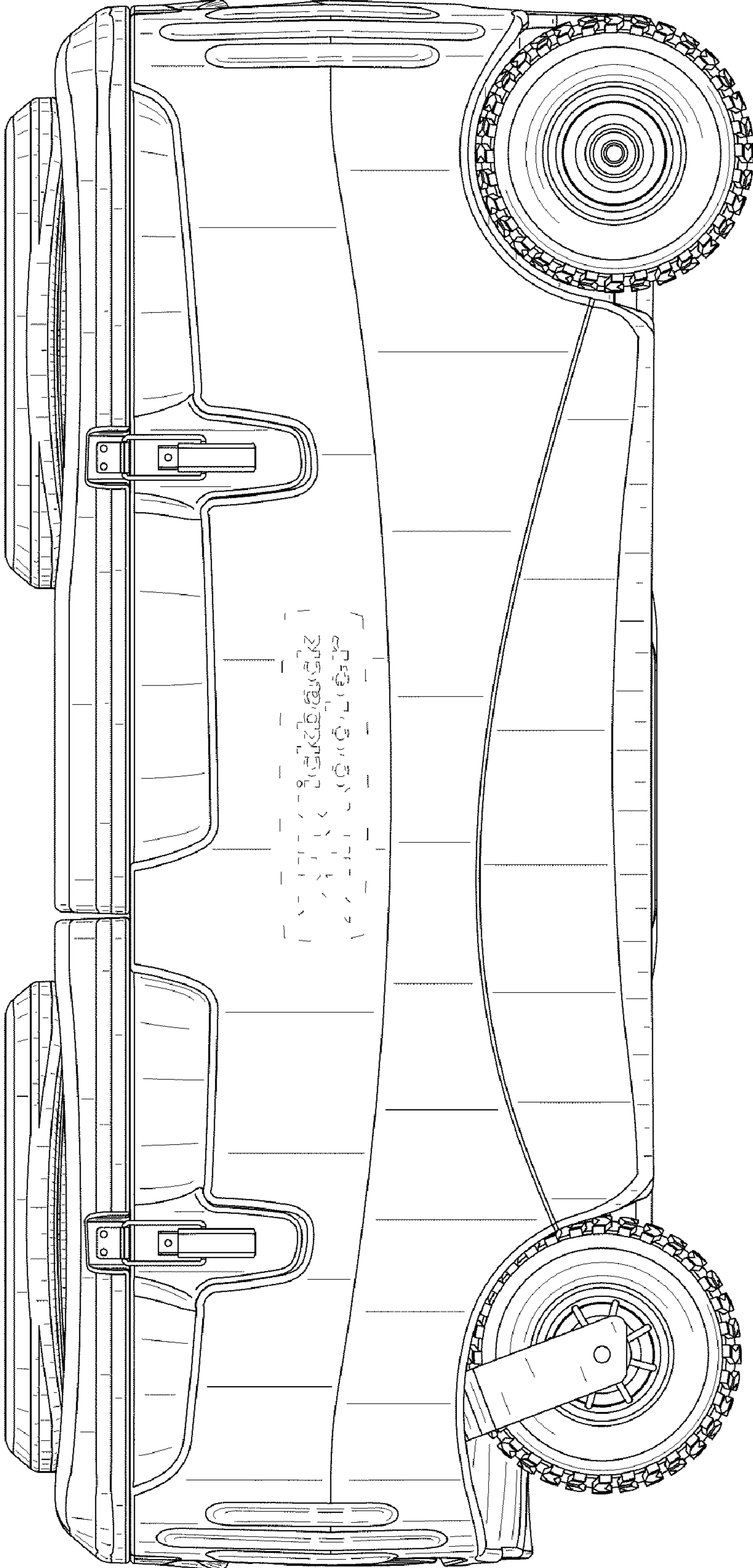


FIG. 2

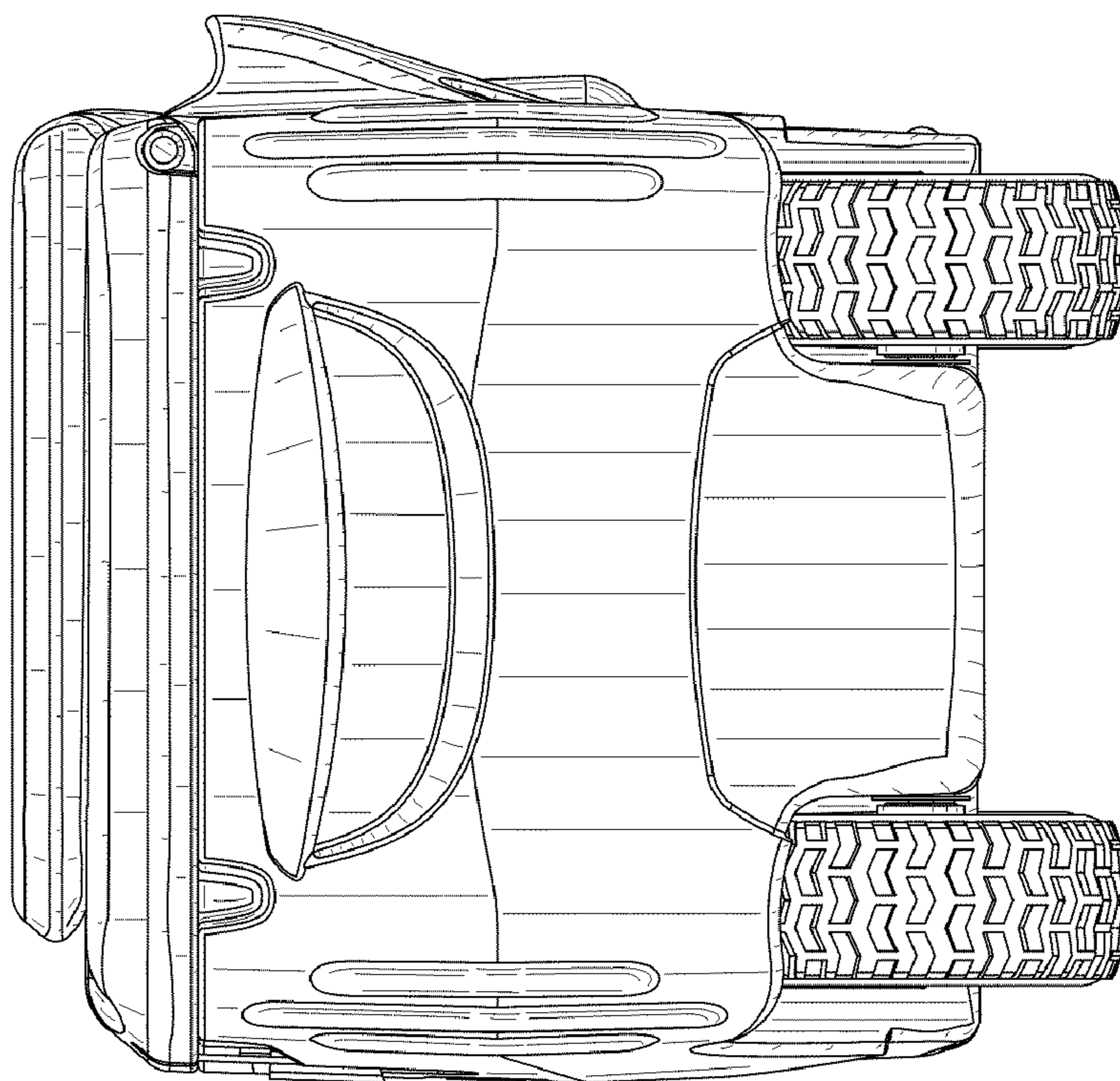


FIG. 4

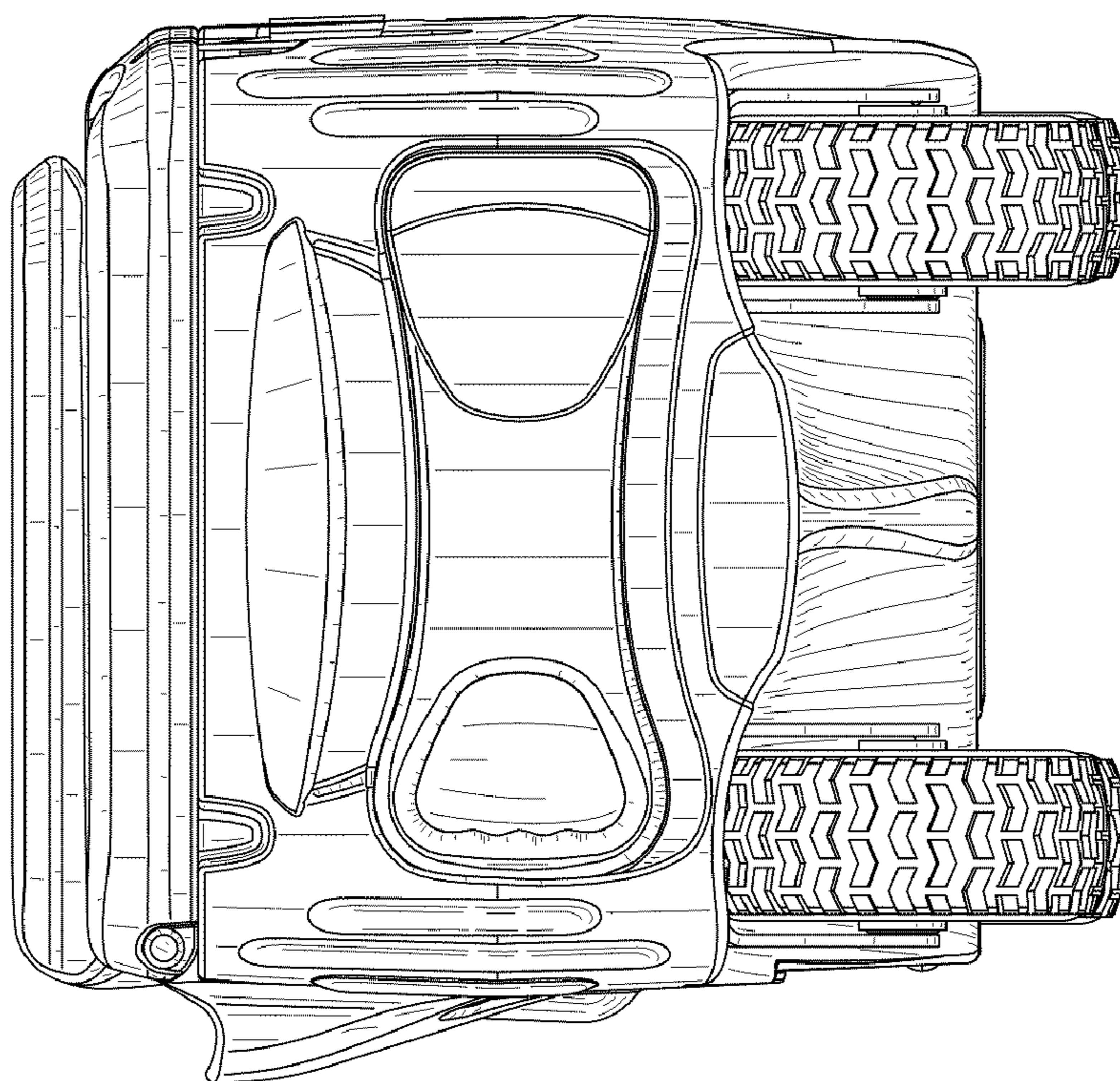


FIG. 3

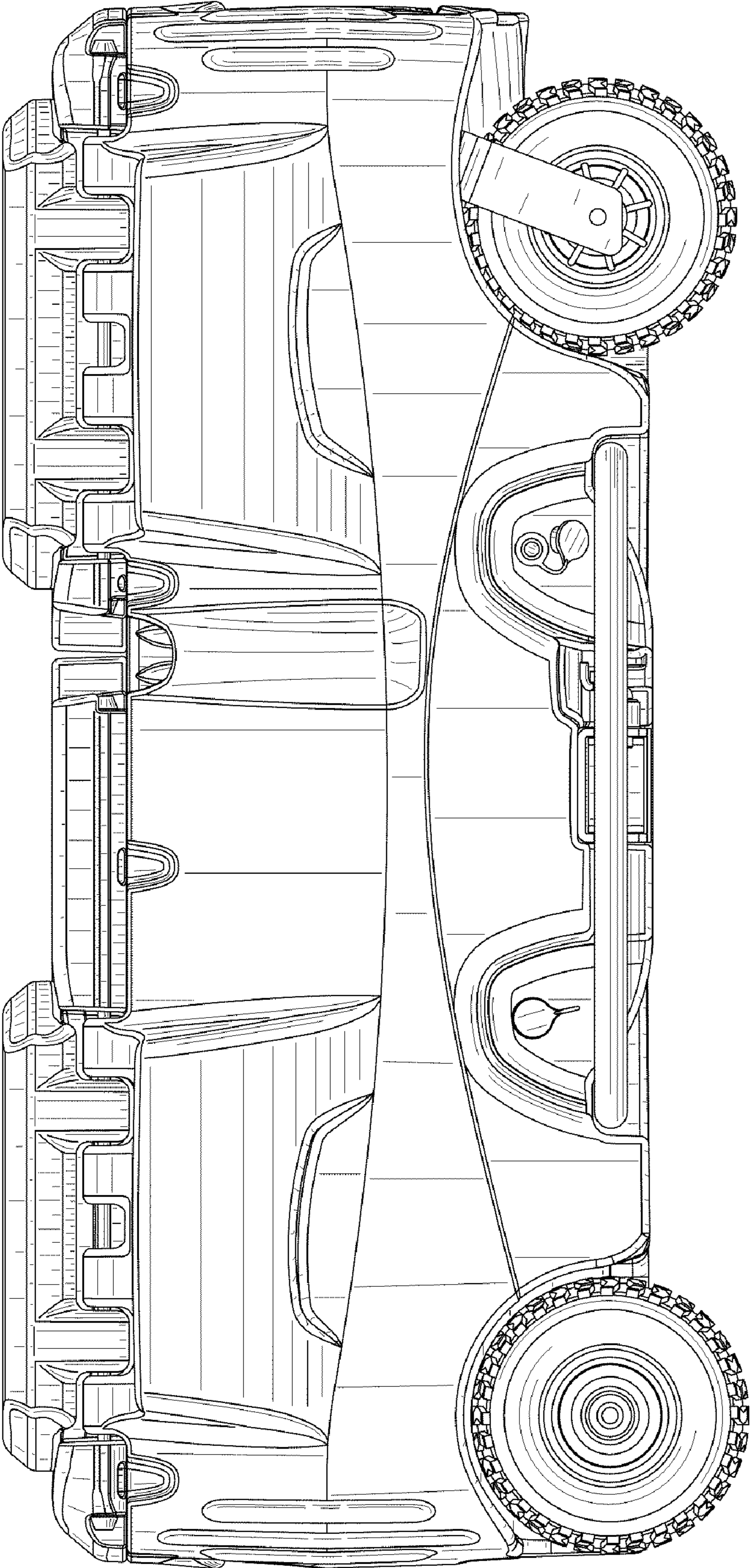


FIG. 5

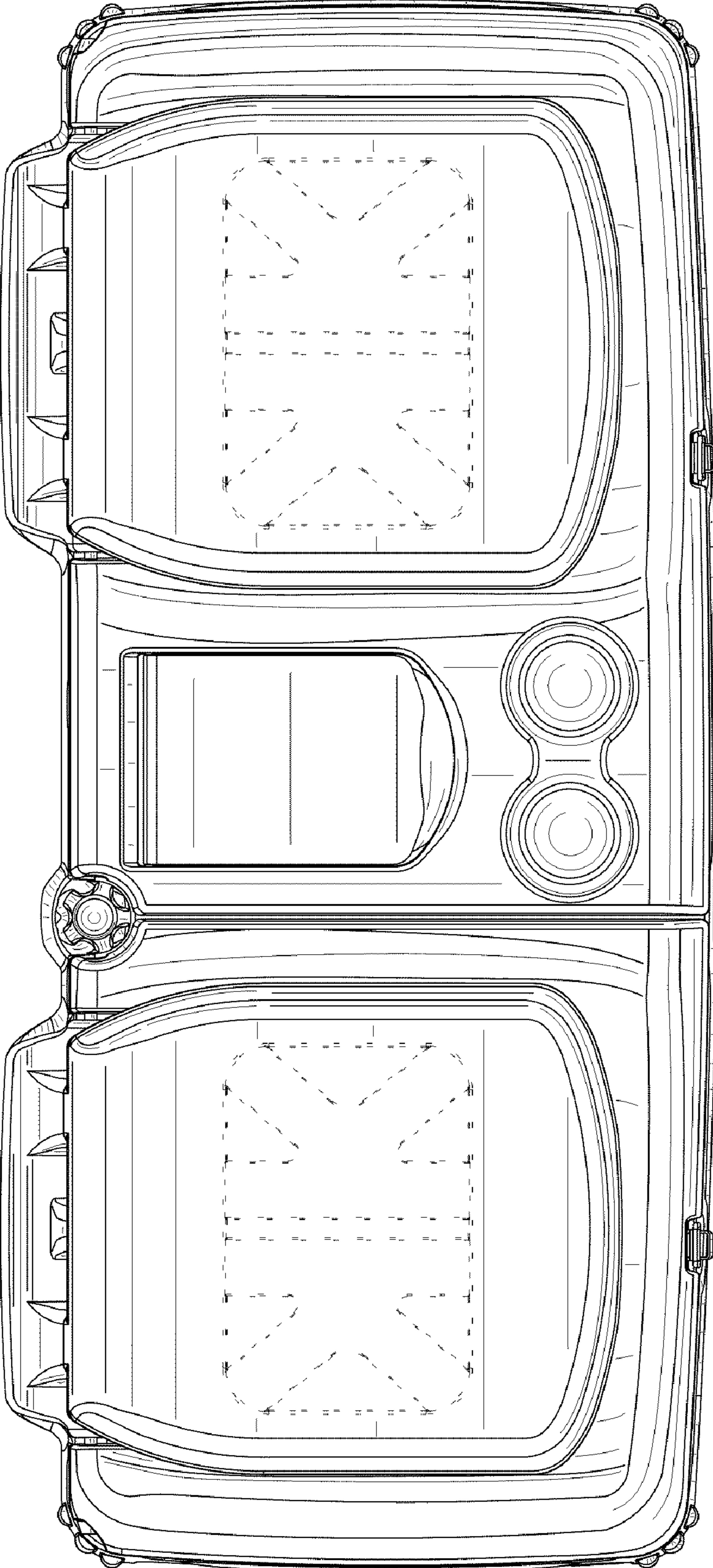


FIG. 6

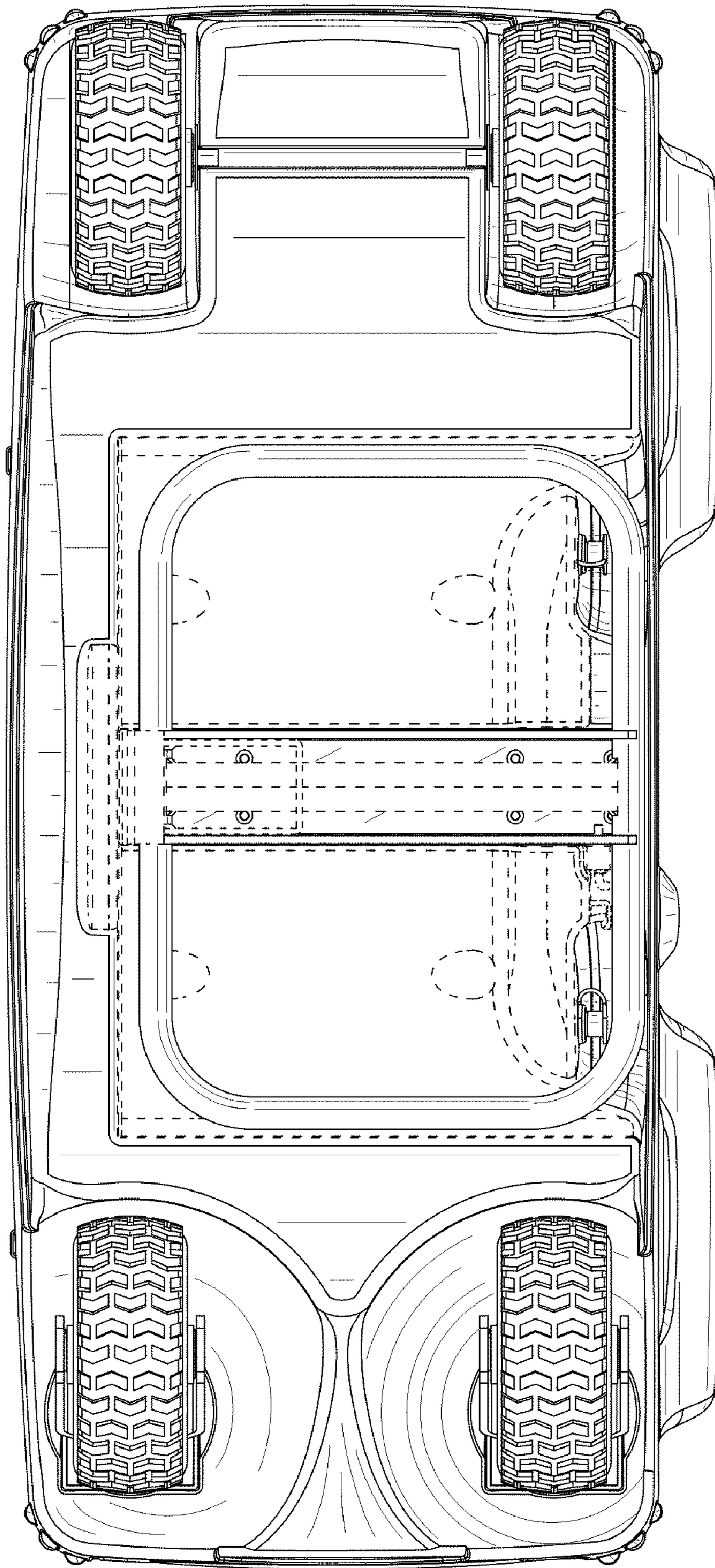


FIG. 7



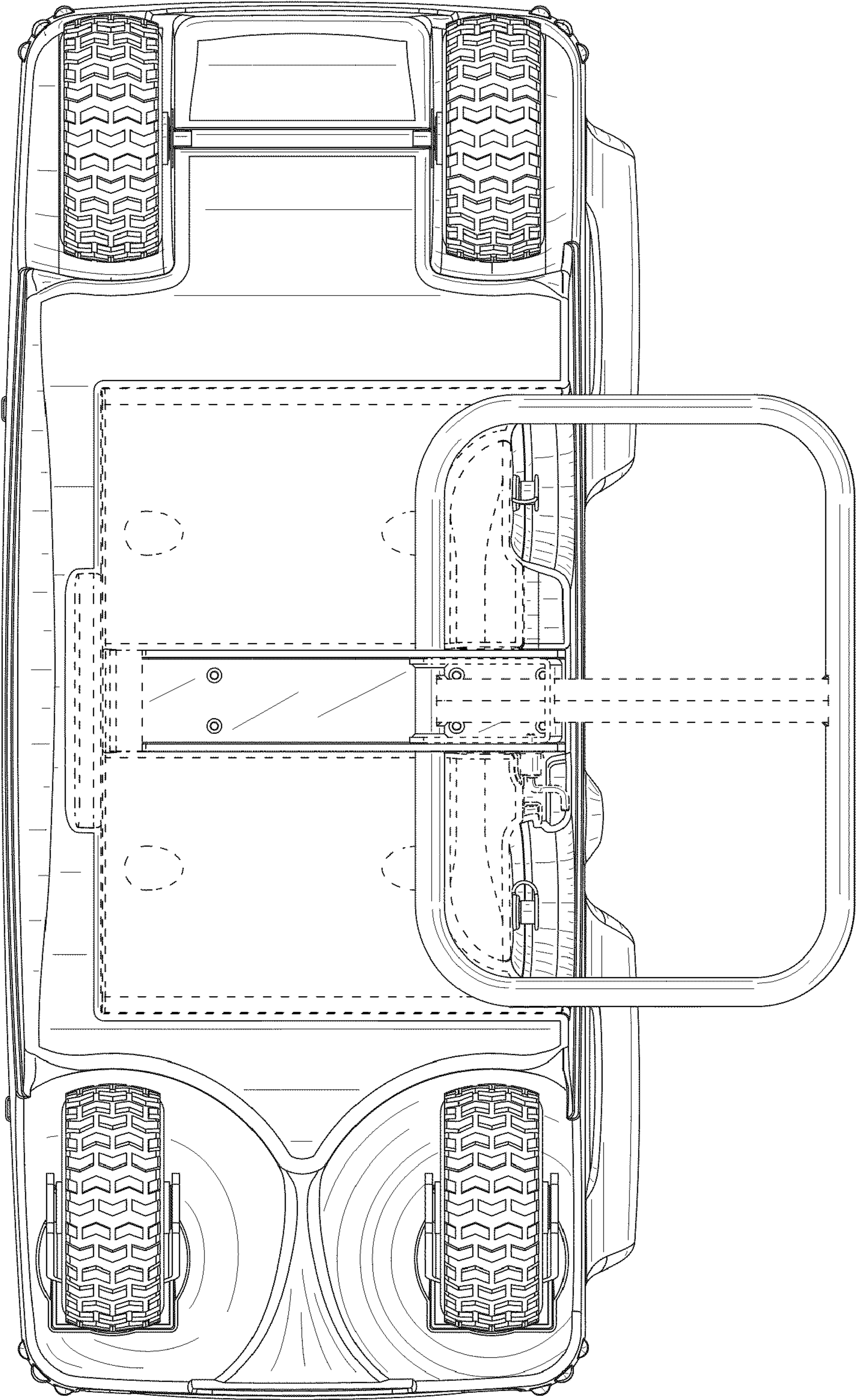


FIG. 8

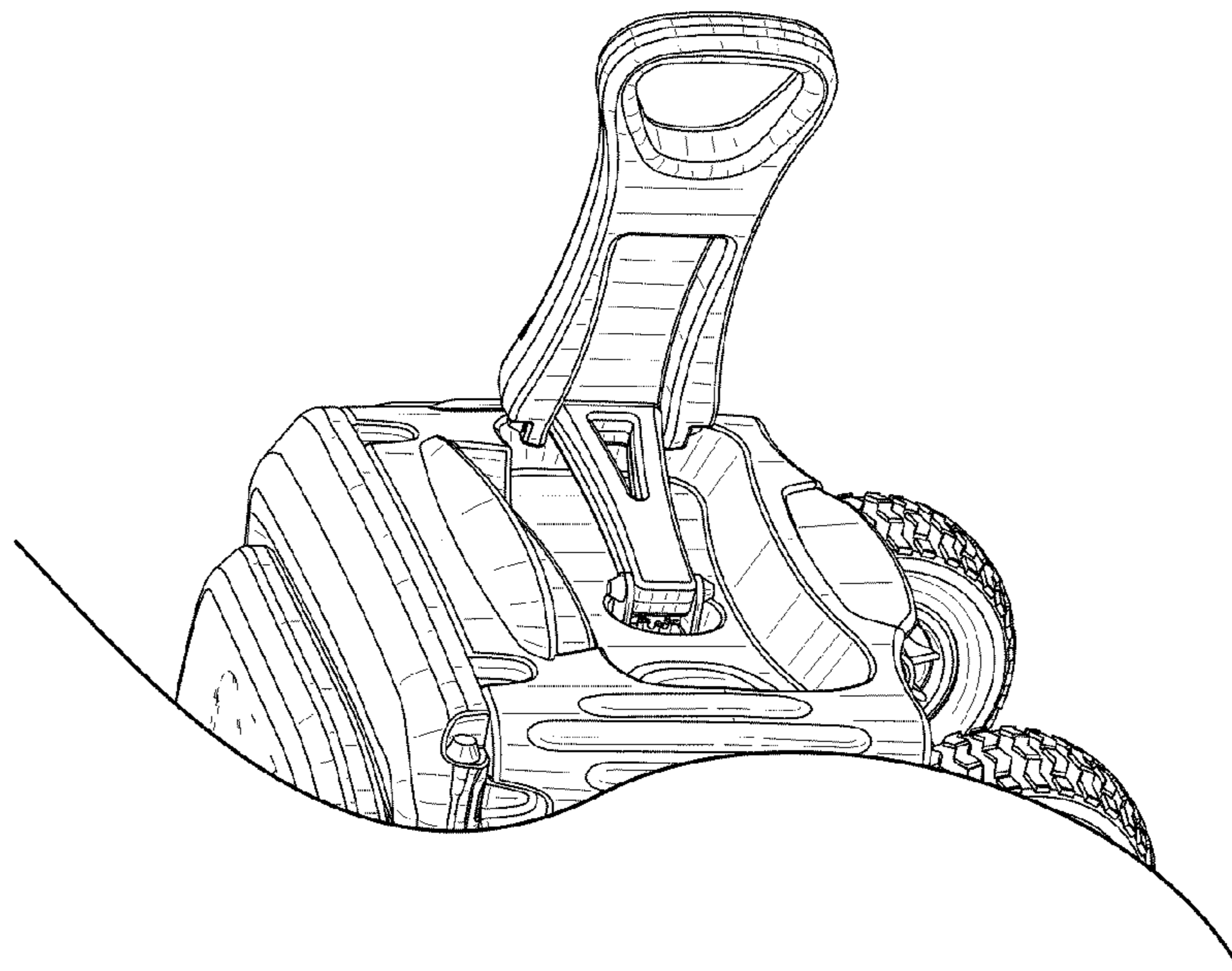


FIG. 11

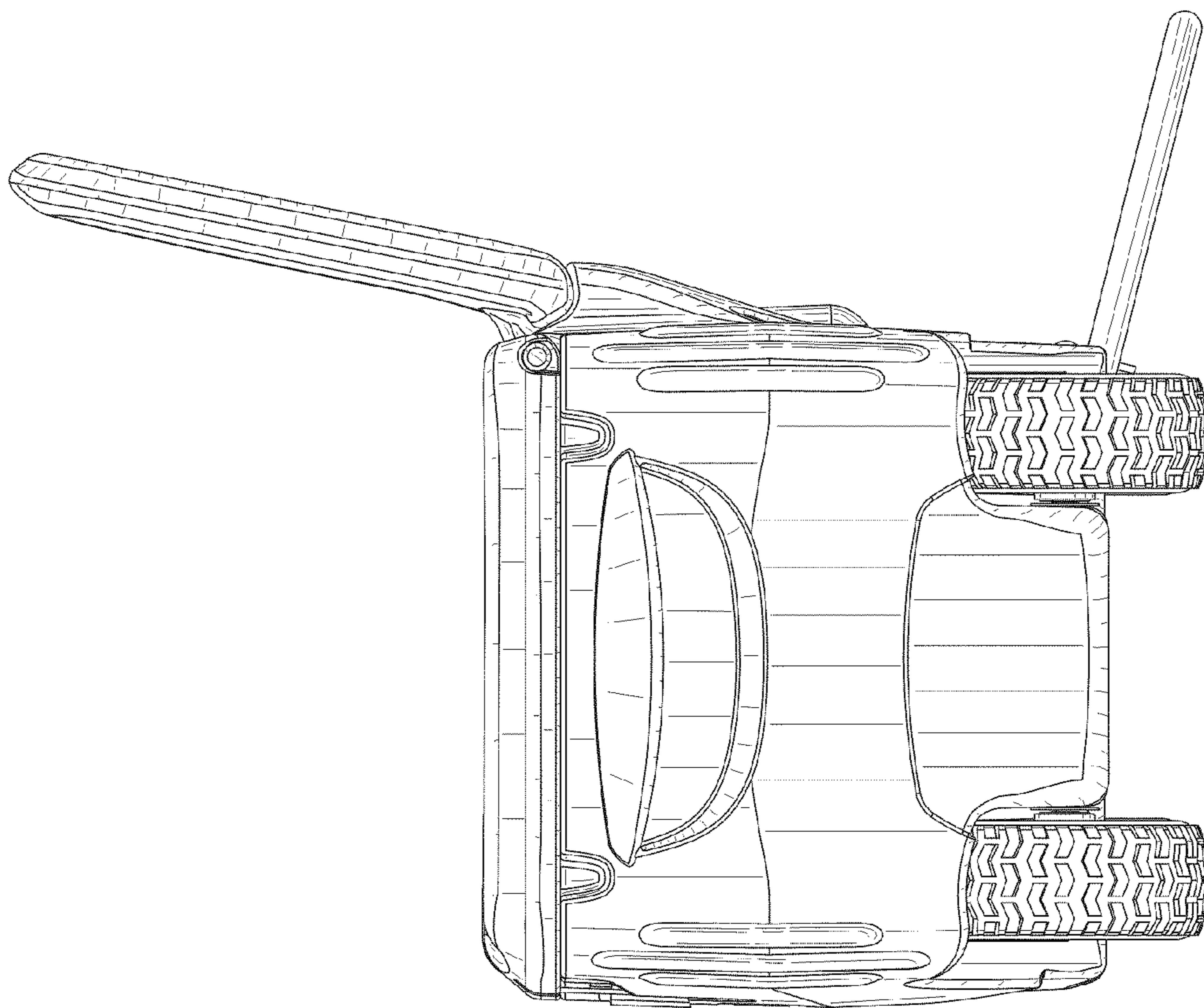


FIG. 9

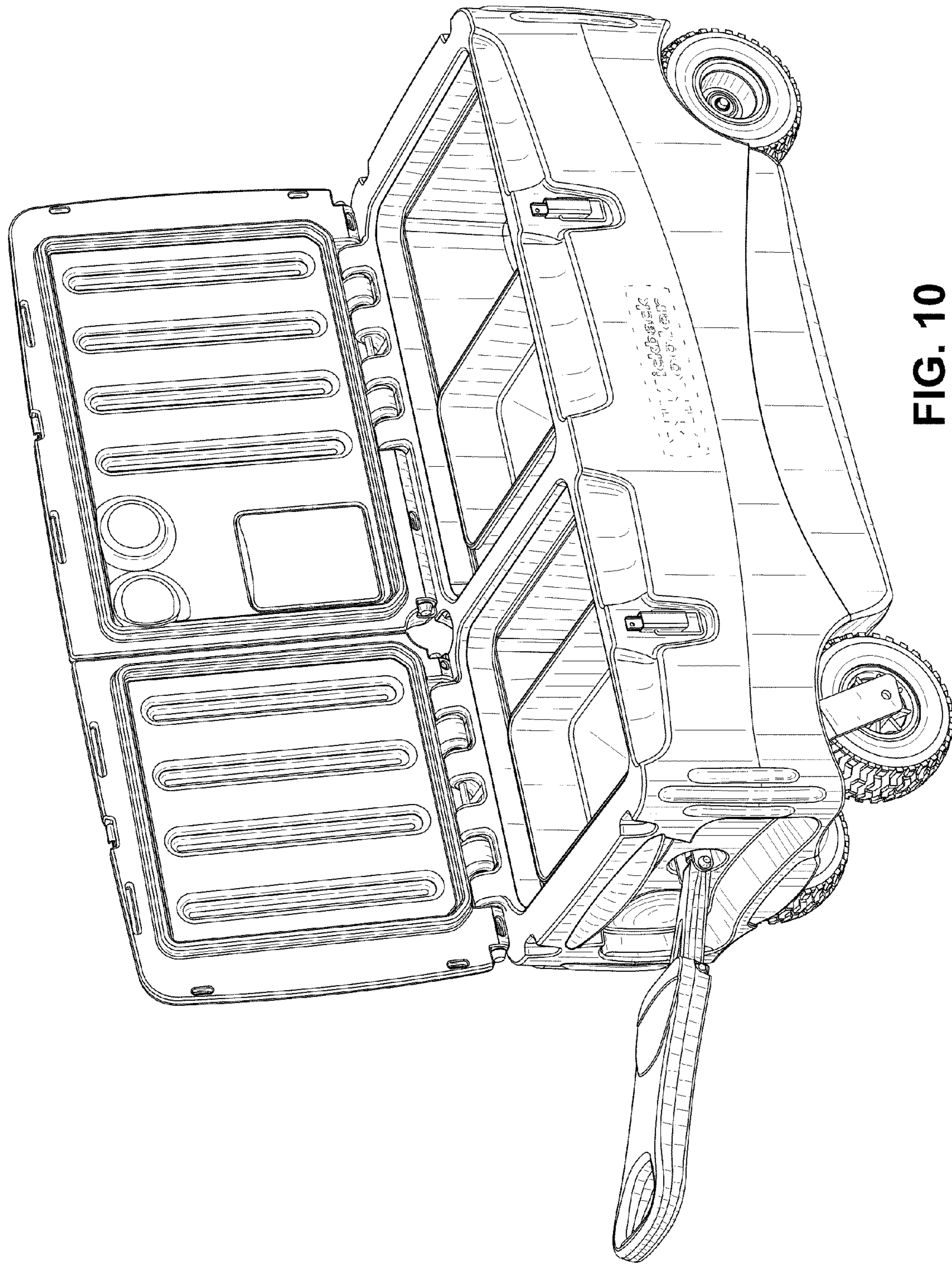


FIG. 10