



US00D646526S

(12) **United States Design Patent**
Chen

(10) **Patent No.:** **US D646,526 S**

(45) **Date of Patent:** **** Oct. 11, 2011**

(54) **SUPPORTER FOR HOLDING CUP-LIKE OBJECTS**

D461,987 S * 8/2002 Smith D6/566
6,457,691 B1 * 10/2002 Kao 248/311.2
D538,608 S * 3/2007 Goodman et al. D7/704

(76) Inventor: **Fang-Yin Chen**, Taichung (TW)

* cited by examiner

(**) Term: **14 Years**

Primary Examiner — Terry Wallace

(21) Appl. No.: **29/384,347**

(57) **CLAIM**

The ornamental design for a supporter for holding cup-like objects, as shown and described.

(22) Filed: **Jan. 30, 2011**

(51) **LOC (9) Cl.** **07-06**

(52) **U.S. Cl.** **D7/600.1; D7/704; D6/566**

(58) **Field of Classification Search** D7/600.1–600.4,
D7/701–708; D6/408, 463, 515, 462, 417,
D6/535, 552, 556, 517, 553, 567; 312/45;
47/39, 47, 41.14; 211/59.2, 181.1, 74, 71.01,
211/14, 13.1, 49.1, 59.1, 85.11, 106

See application file for complete search history.

DESCRIPTION

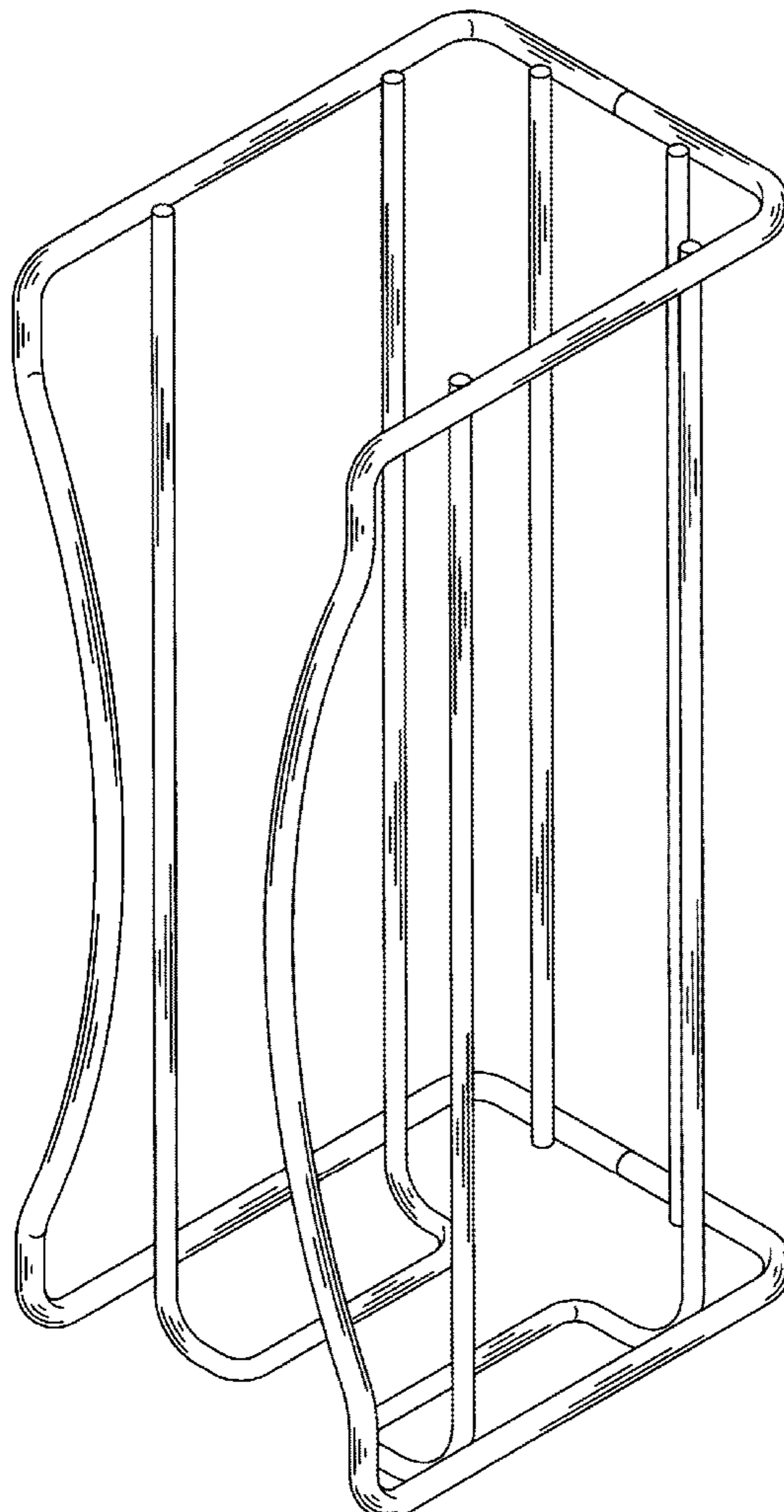
FIG. 1 is a perspective view of a supporter for holding cup-like objects showing my new design;
FIG. 2 is a front elevational view thereof;
FIG. 3 is a rear elevational view thereof;
FIG. 4 is a left side view thereof;
FIG. 5 is a right side view thereof;
FIG. 6 is a top plan view thereof; and
FIG. 7 is a bottom plan view thereof; and,
FIG. 8 shows the use of the invention, where those indicated by dashed lines are not claimed in the present invention.

(56) **References Cited**

U.S. PATENT DOCUMENTS

D250,776 S * 1/1979 Hard D29/130
D361,449 S * 8/1995 Rittenberg D6/462

1 Claim, 5 Drawing Sheets



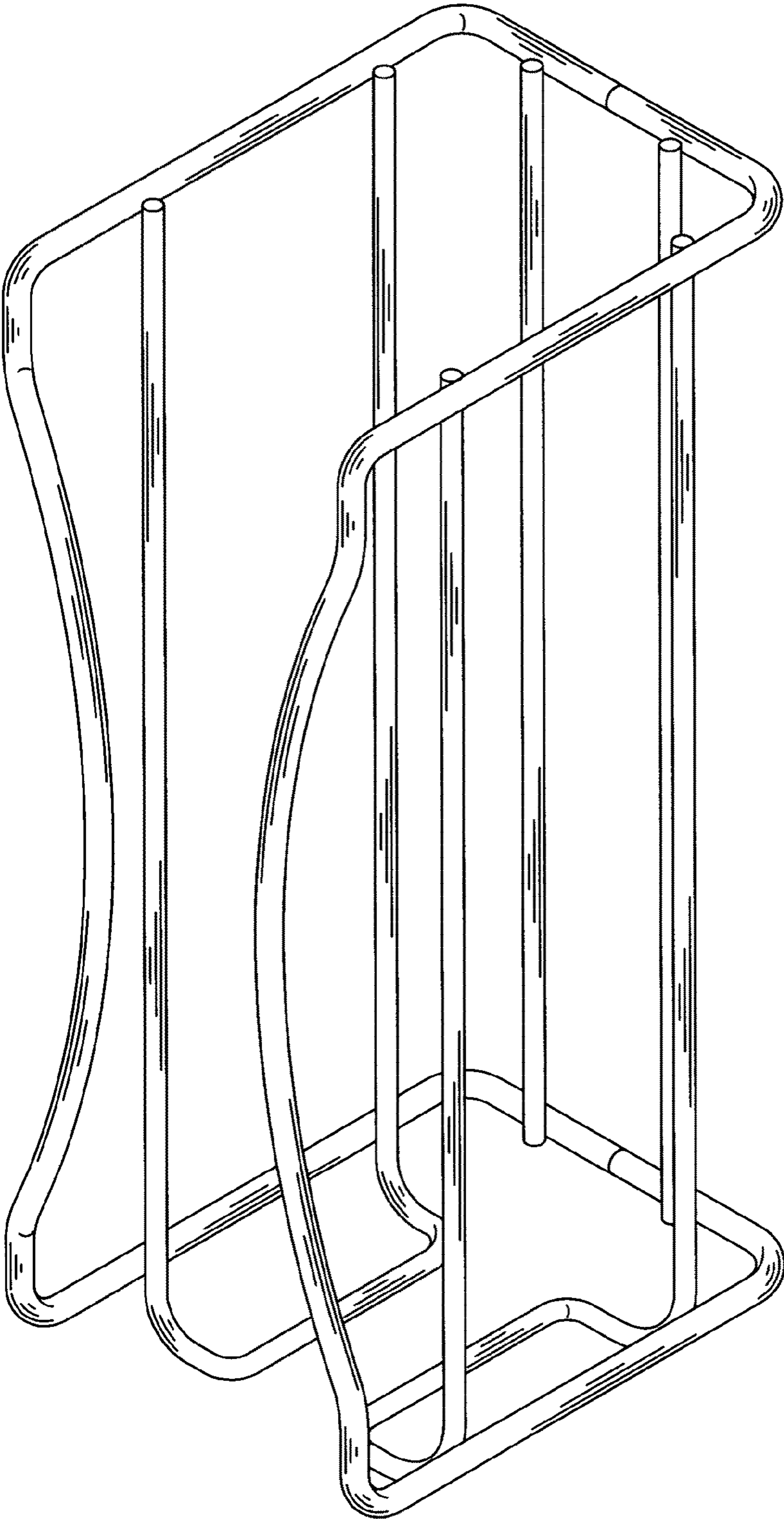


FIG. 1

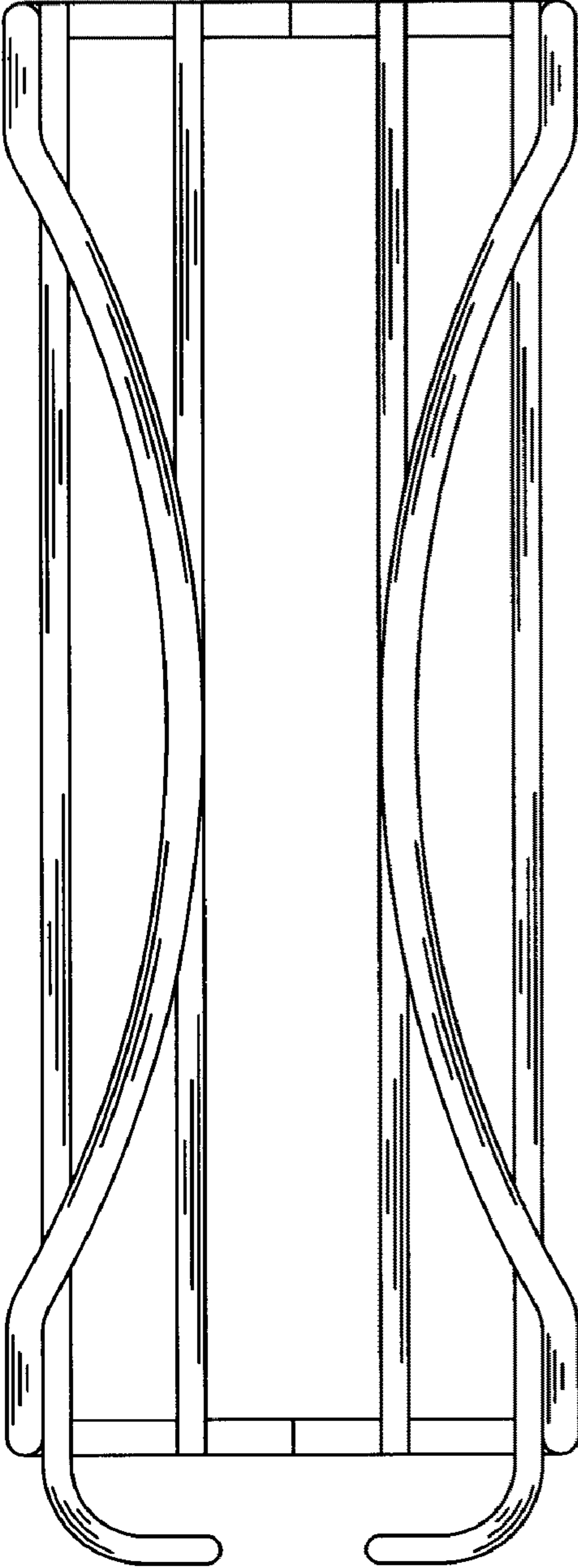


FIG. 2

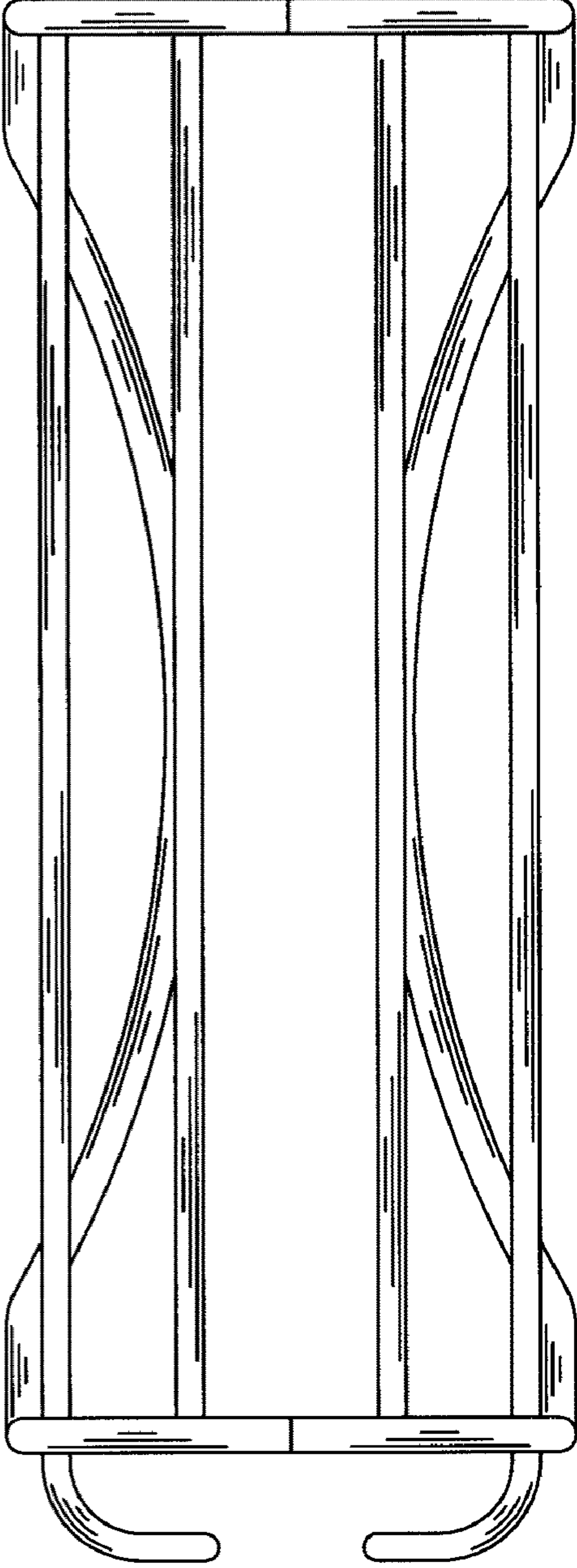


FIG. 3

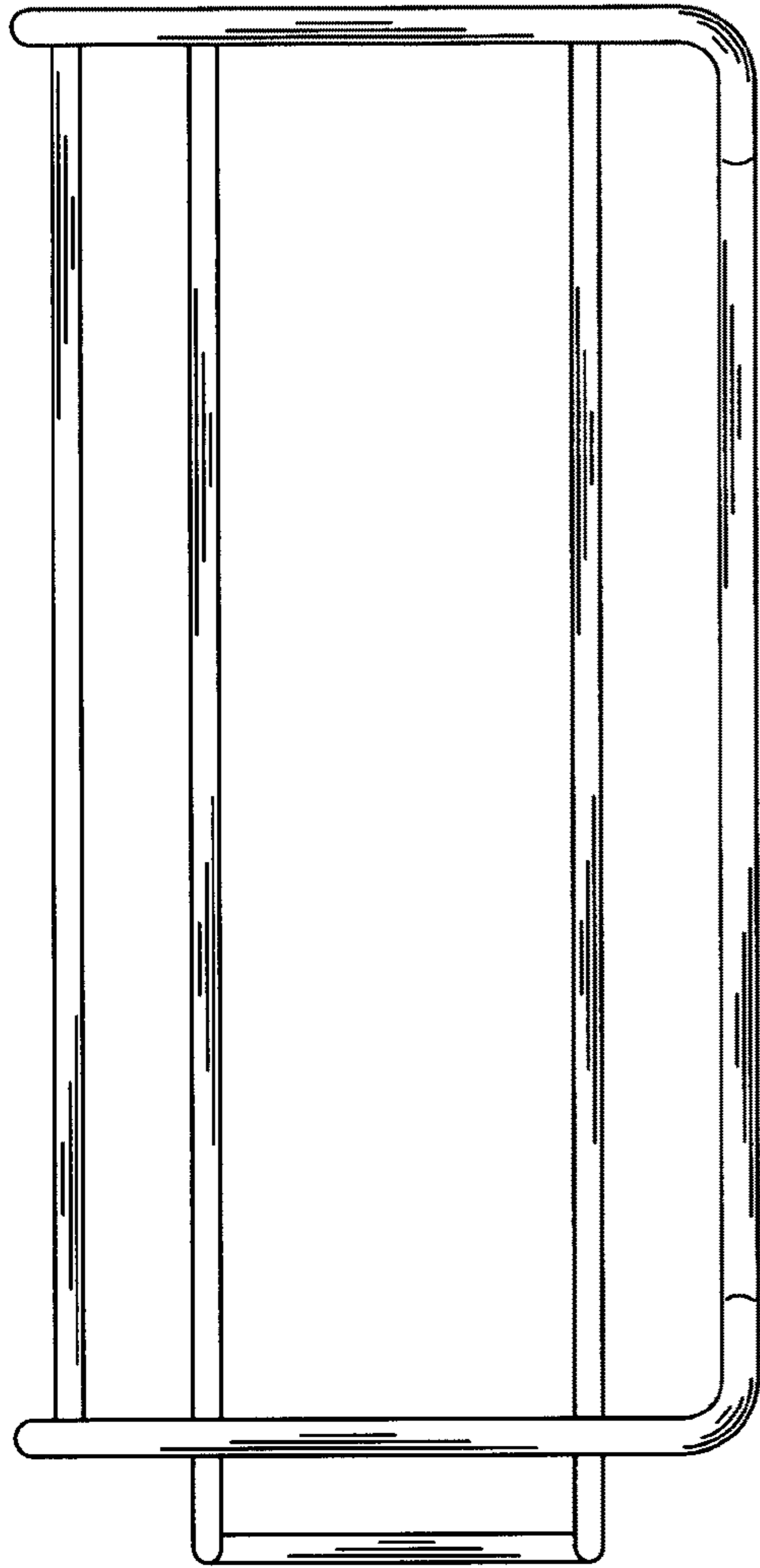


FIG. 4

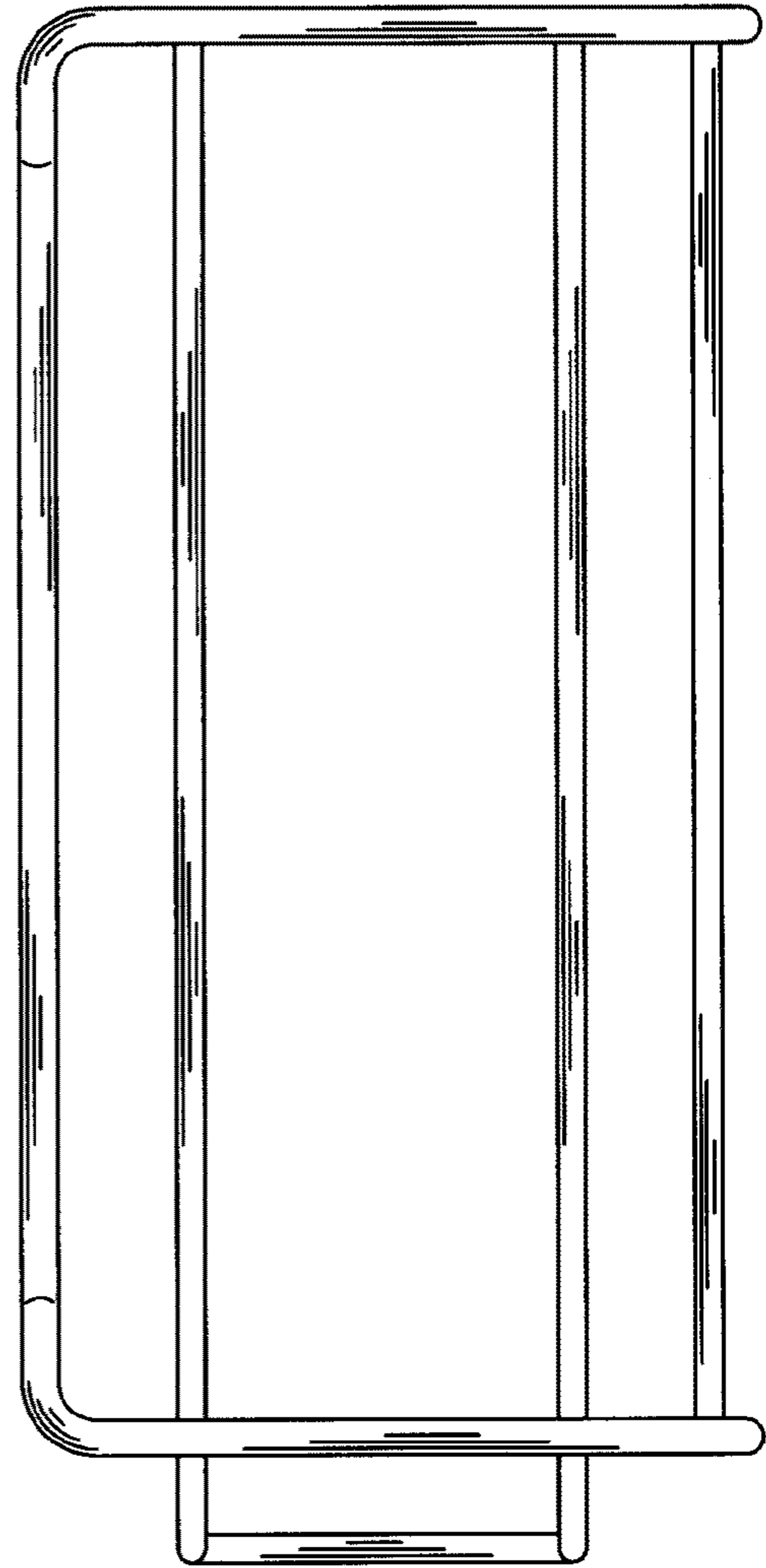


FIG. 5

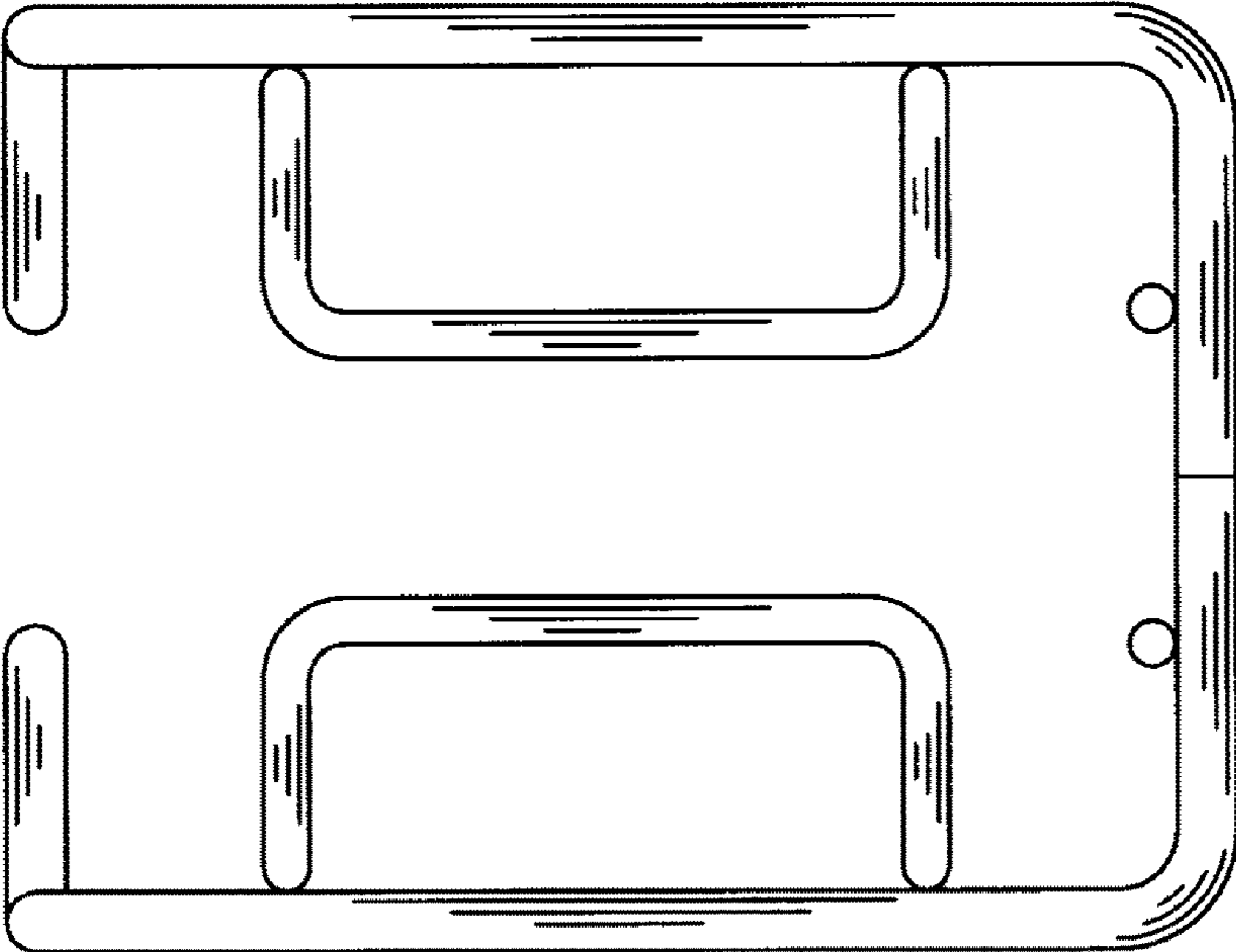


FIG. 6

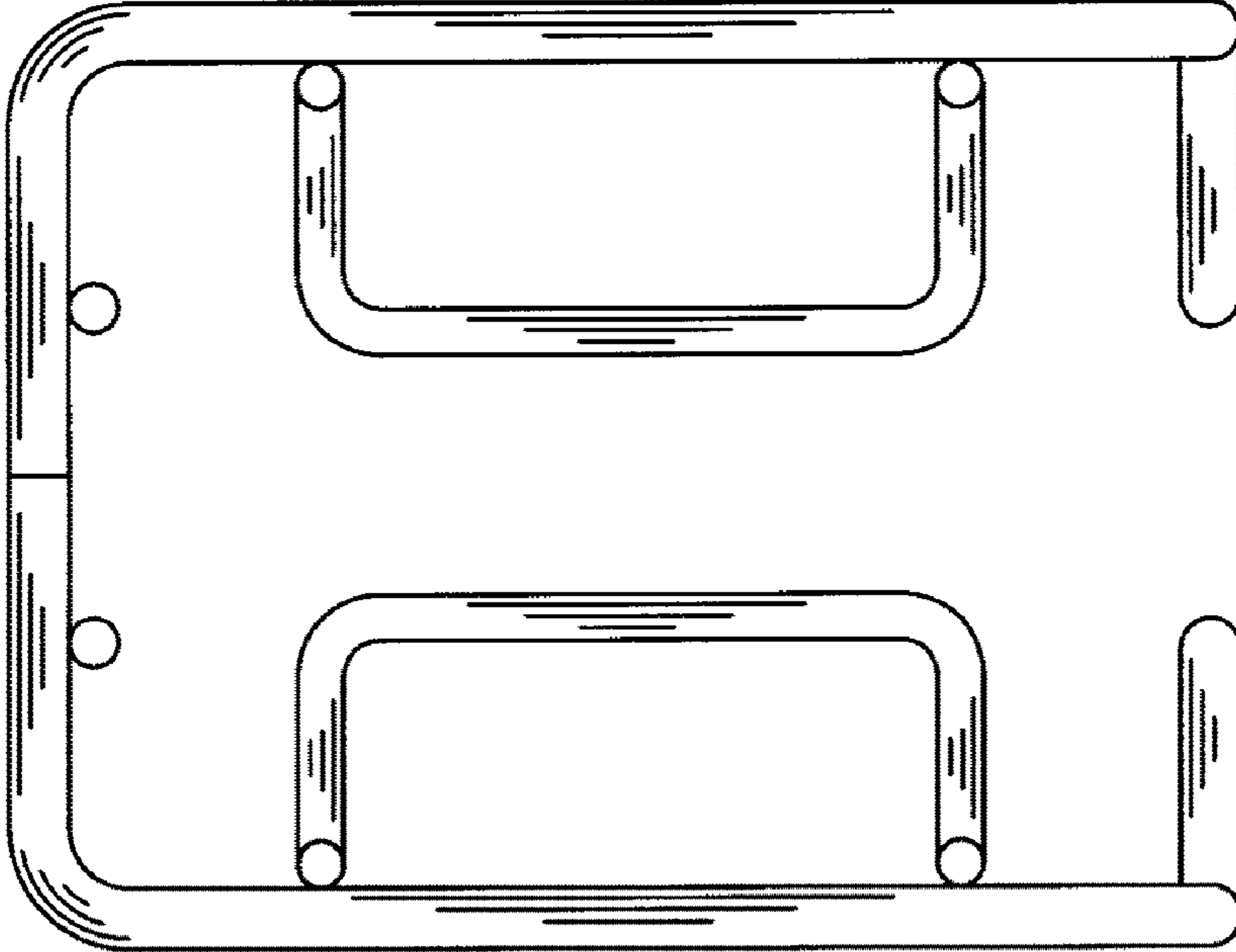


FIG. 7

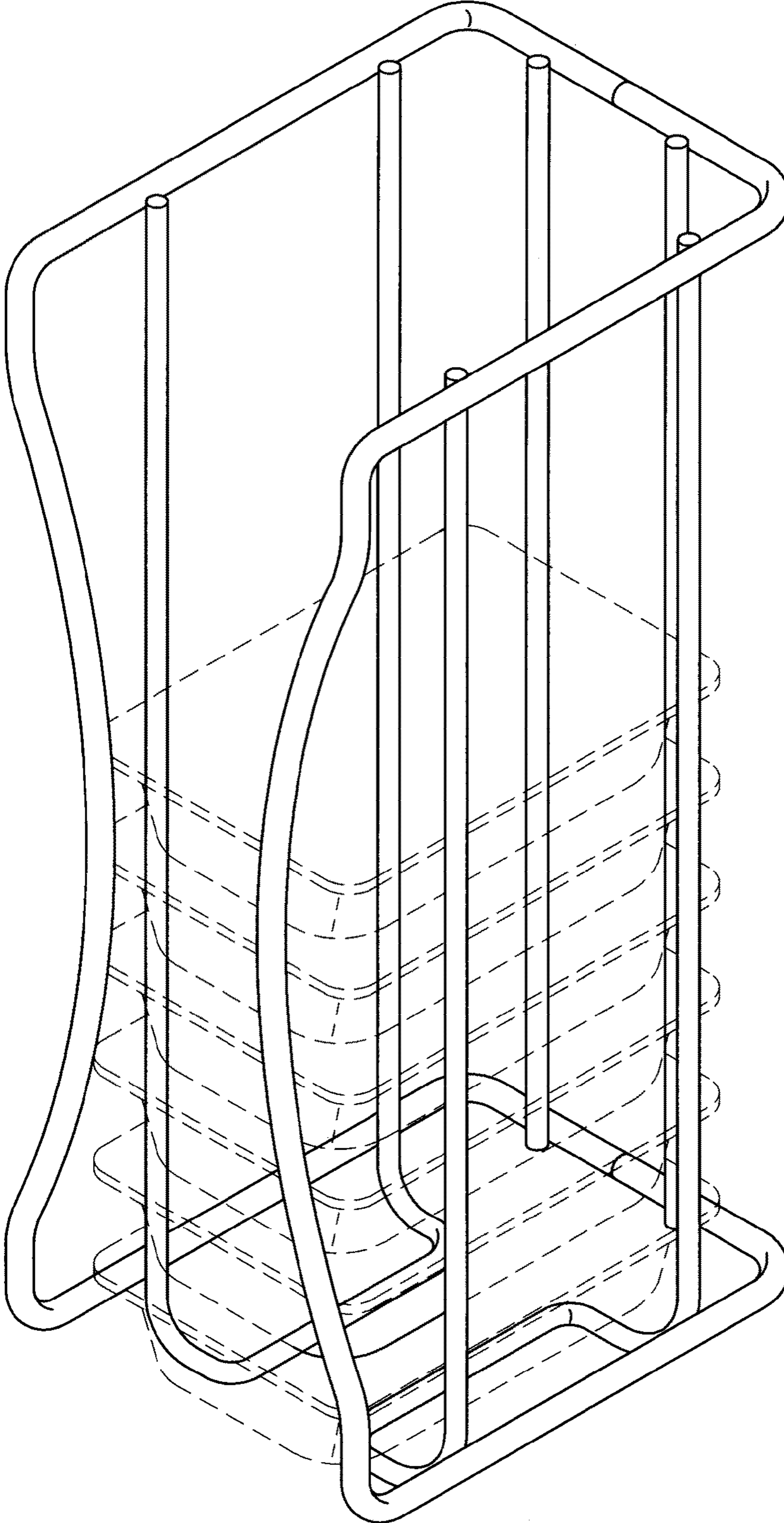


FIG. 8