



US00D646525S

(12) **United States Design Patent**  
**Molayem**

(10) **Patent No.:** **US D646,525 S**

(45) **Date of Patent:** **\*\* Oct. 11, 2011**

(54) **STACKING BOWL AND COLANDER SET**

(75) **Inventor:** **Daryoosh Molayem**, Beverly Hills, CA (US)

(73) **Assignee:** **Tabletops Unlimited, Inc.**, Carson, CA (US)

(\*\*) **Term:** **14 Years**

(21) **Appl. No.:** **29/368,676**

(22) **Filed:** **Aug. 26, 2010**

(51) **LOC (9) Cl.** ..... **07-01**

(52) **U.S. Cl.** ..... **D7/548; D7/667; D7/505**

(58) **Field of Classification Search** ..... D7/584,  
D7/548, 505, 538, 545, 543, 500, 360, 323,  
D7/667, 647, 356, 354; 99/340, 415; 8/506;  
210/239, 248, 232; 209/680; 219/734, 433  
See application file for complete search history.

(56) **References Cited**

**U.S. PATENT DOCUMENTS**

211,202	A	1/1879	Whitney et al.	
D147,950	S	* 11/1947	Blazey	D7/360
D182,479	S	* 4/1958	Roop	D7/667
4,222,493	A	9/1980	Friedman	
4,419,103	A	* 12/1983	Balkan	8/506
5,253,758	A	10/1993	Bissell, II	
D349,420	S	8/1994	Hasuike	
D378,724	S	* 4/1997	Young et al.	D7/505
D381,553	S	* 7/1997	Candianides	D7/356
D414,375	S	9/1999	Diulus	
5,957,038	A	9/1999	Shimazaki	

D425,378	S	* 5/2000	Gilbertson	D7/667
D459,952	S	* 7/2002	Bellander	D7/667
D468,168	S	* 1/2003	Gruenberg, Sr.	D7/667
D469,667	S	* 2/2003	Burton	D7/667
6,546,849	B1	4/2003	Shimazaki	
6,568,314	B1	5/2003	Stepanova	
D538,607	S	* 3/2007	Miller	D7/667
D539,093	S	* 3/2007	Robinson	D7/545
D568,102	S	* 5/2008	Ruiz de Az a	D7/505
7,617,948	B2	11/2009	Cheng	
D613,131	S	* 4/2010	Chen et al.	D7/667
2007/0119744	A1	5/2007	Metaxatos et al.	
2008/0179211	A1	7/2008	Kutsch et al.	

\* cited by examiner

*Primary Examiner* — Cynthia Underwood

(74) *Attorney, Agent, or Firm* — Blakely, Sokoloff, Taylor & Zafman LLP

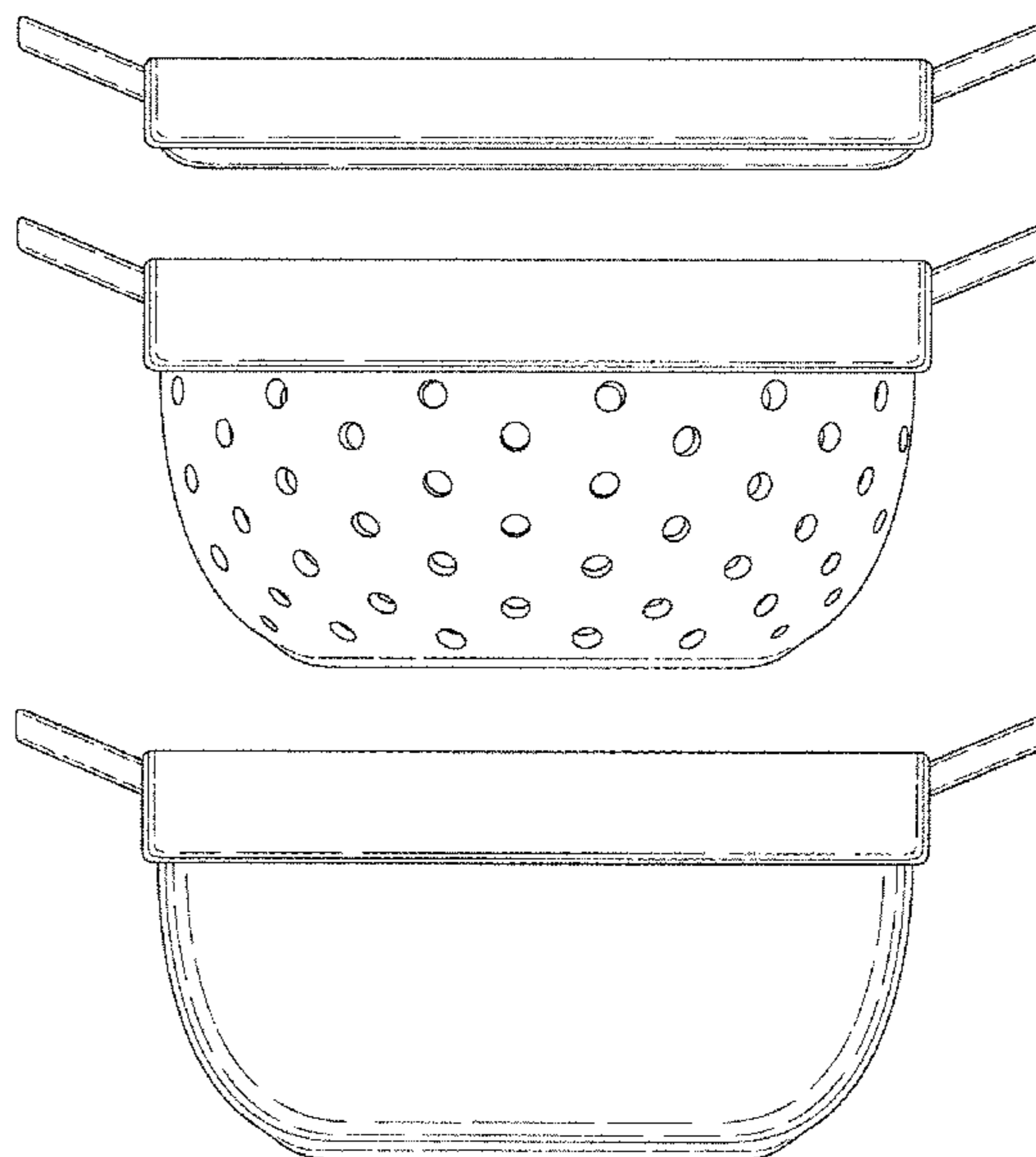
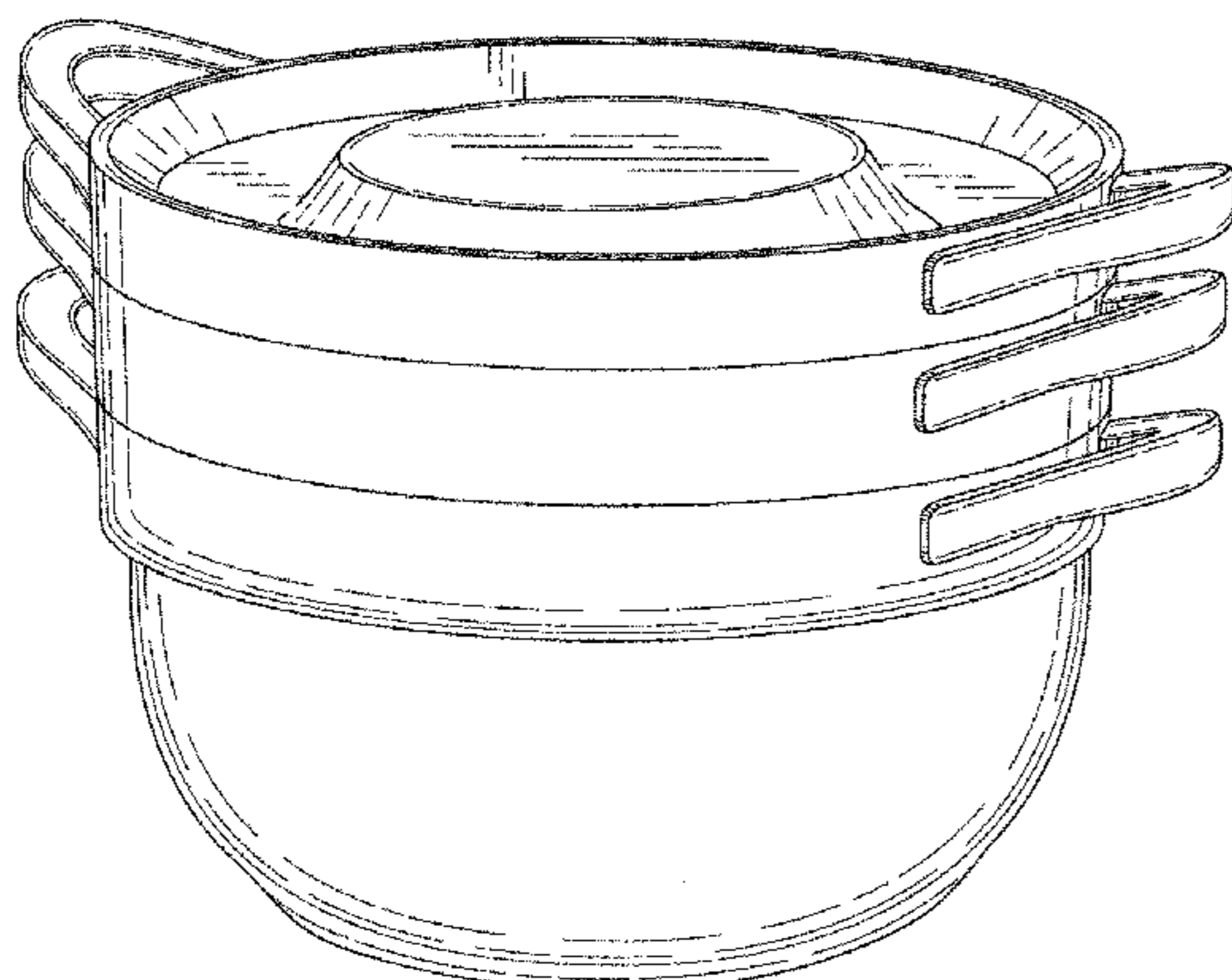
(57) **CLAIM**

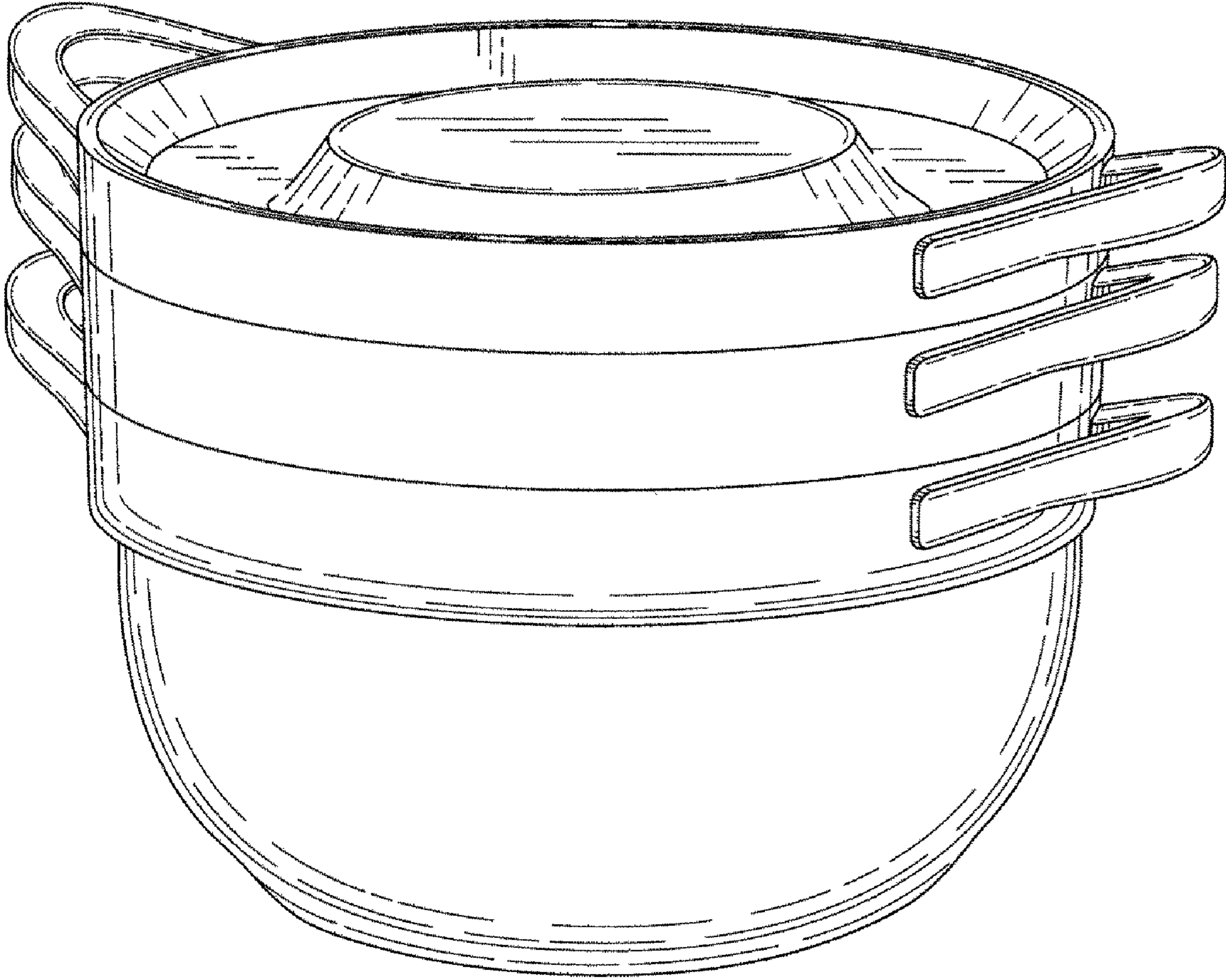
The ornamental design for a stacking bowl and colander set, as shown and described.

**DESCRIPTION**

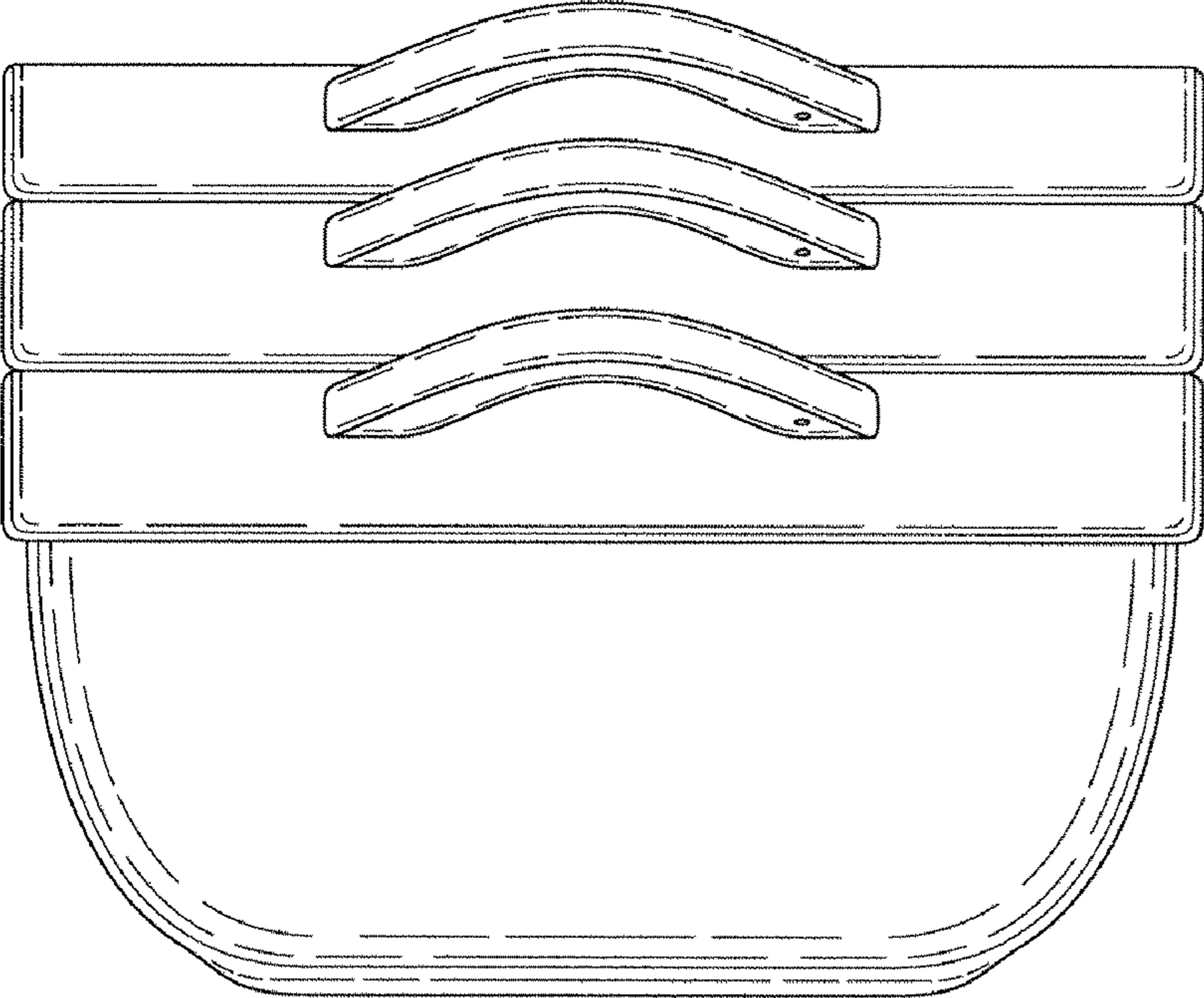
FIG. 1 is a perspective view of my new design;  
FIG. 2 is a first side view thereof;  
FIG. 3 is a second side view thereof;  
FIG. 4 is a top view thereof;  
FIG. 5 is a bottom view thereof; and,  
FIG. 6 is an exploded side view thereof showing the individual set pieces.

**1 Claim, 4 Drawing Sheets**

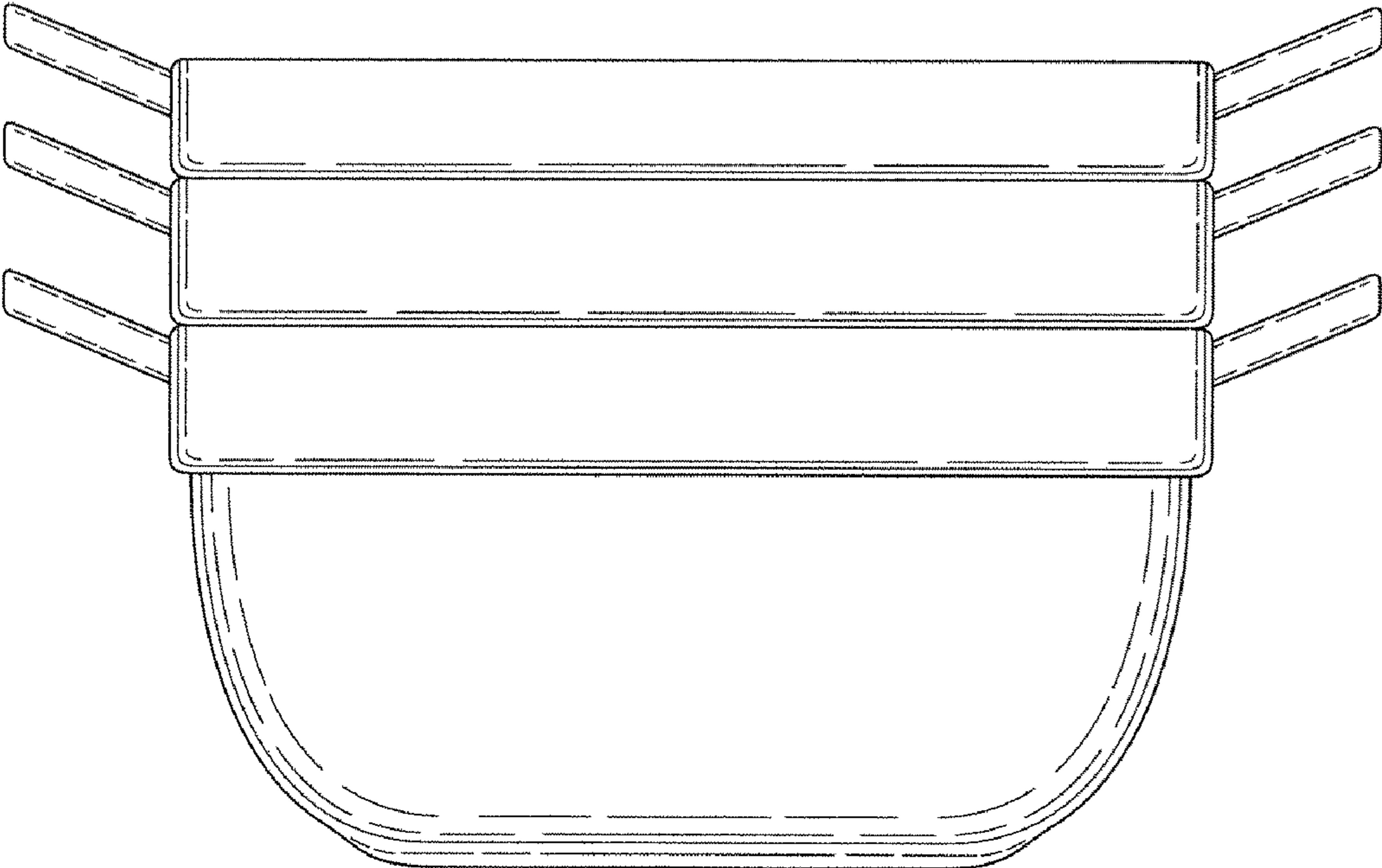




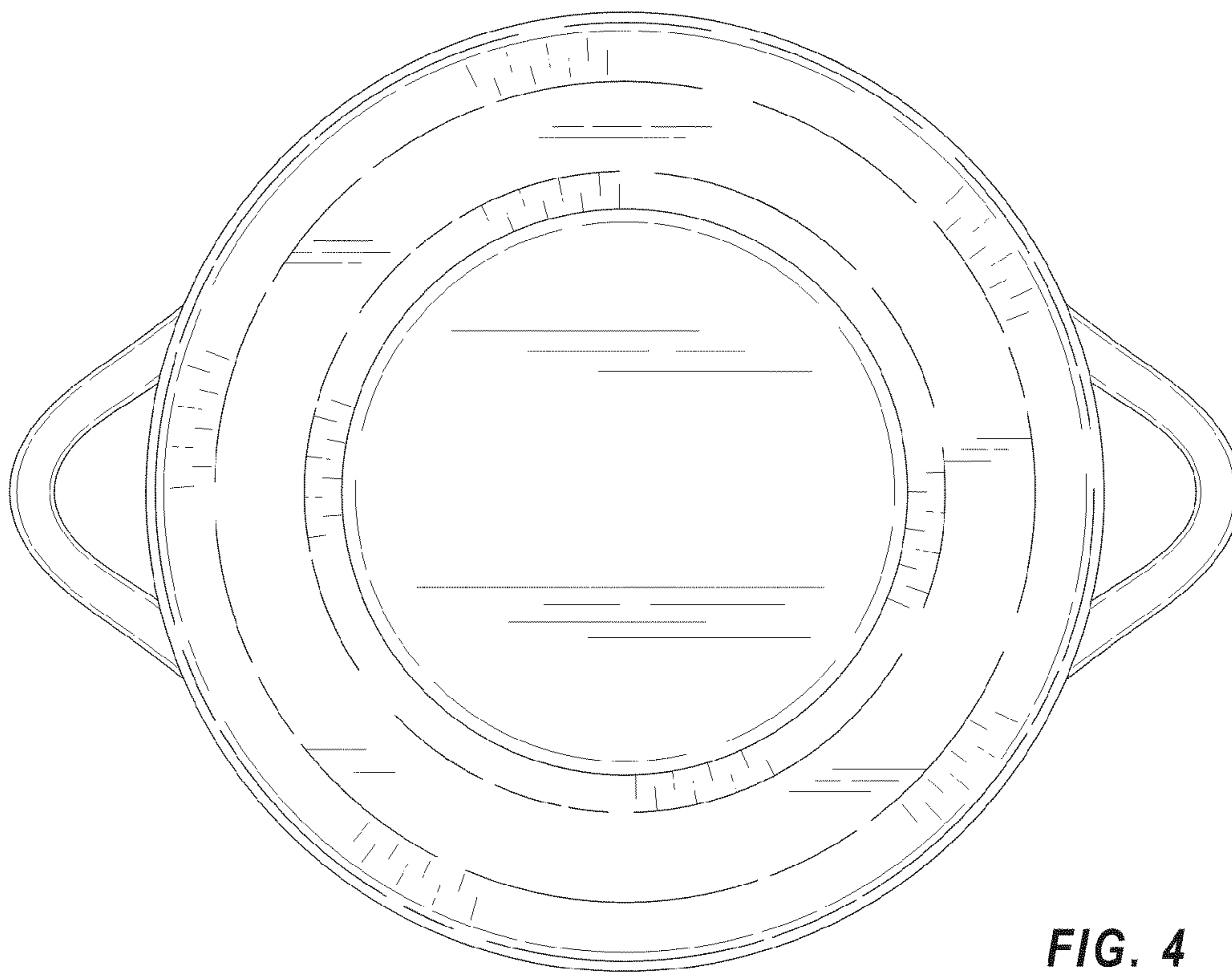
**FIG. 1**



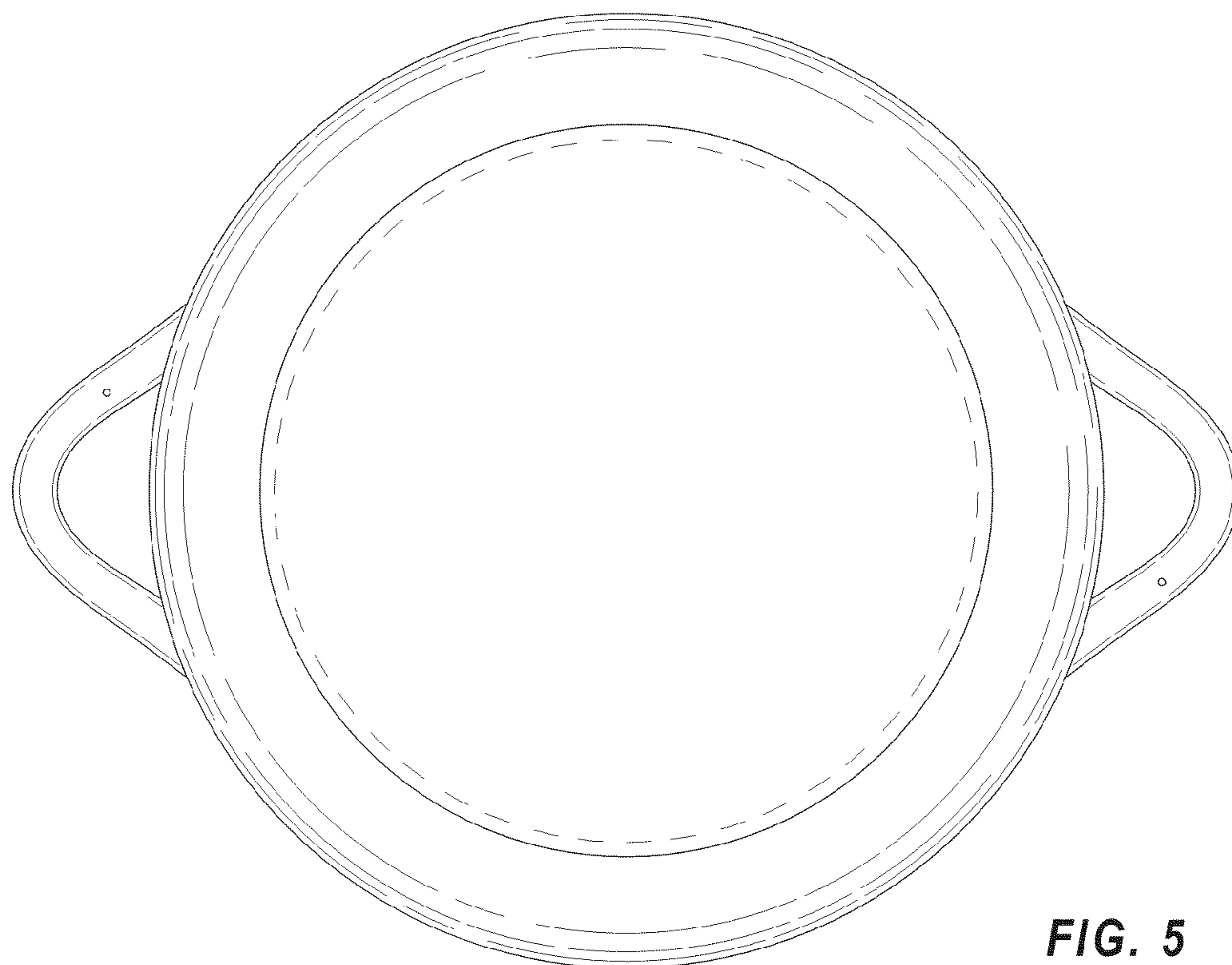
**FIG. 2**



**FIG. 3**



**FIG. 4**



**FIG. 5**

FIG. 6

