



US00D646524S

(12) **United States Design Patent**
Kortleven

(10) **Patent No.:** **US D646,524 S**

(45) **Date of Patent:** **** Oct. 11, 2011**

(54) **MUG**

(75) **Inventor:** **Hanno Kortleven, Rotselaar (BE)**

(73) **Assignee:** **Dart Industries Inc., Orlando, FL (US)**

(**) **Term:** **14 Years**

(21) **Appl. No.:** **29/349,773**

(22) **Filed:** **Apr. 30, 2010**

(51) **LOC (9) Cl.** **07-01**

(52) **U.S. Cl.** **D7/533; D7/531**

(58) **Field of Classification Search** **D7/509,**
D7/533, 536, 531; 220/710.5, 771, 592.16

See application file for complete search history.

(56) **References Cited**

U.S. PATENT DOCUMENTS

D215,747 S *	10/1969	Ketcham	D7/533
D219,472 S *	12/1970	Piker	D7/533
D225,792 S *	1/1973	Fritsche et al.	D7/533
D293,291 S *	12/1987	Hansen	D7/533
D347,547 S *	6/1994	Heinrich	D7/533
D394,187 S *	5/1998	Orrico et al.	D7/533
D475,577 S *	6/2003	Kung	D7/507

D494,418 S *	8/2004	Bodum	D7/533
D496,827 S *	10/2004	Bodum	D7/533
D507,152 S *	7/2005	Trombly	D7/536
D587,967 S *	3/2009	Wahl	D7/510
D596,463 S *	7/2009	Poindexter et al.	D7/533
D600,978 S *	9/2009	Poindexter et al.	D7/533

* cited by examiner

Primary Examiner — Marianne Pandozzi

(74) *Attorney, Agent, or Firm* — John A. Doninger

(57) **CLAIM**

The ornamental design for a mug, as shown and described.

DESCRIPTION

FIG. 1 is a top, side and front perspective view of a mug showing my new design;

FIG. 2 is a front elevation view, the rear elevation being a mirror image thereof;

FIG. 3 is a right side elevation thereof;

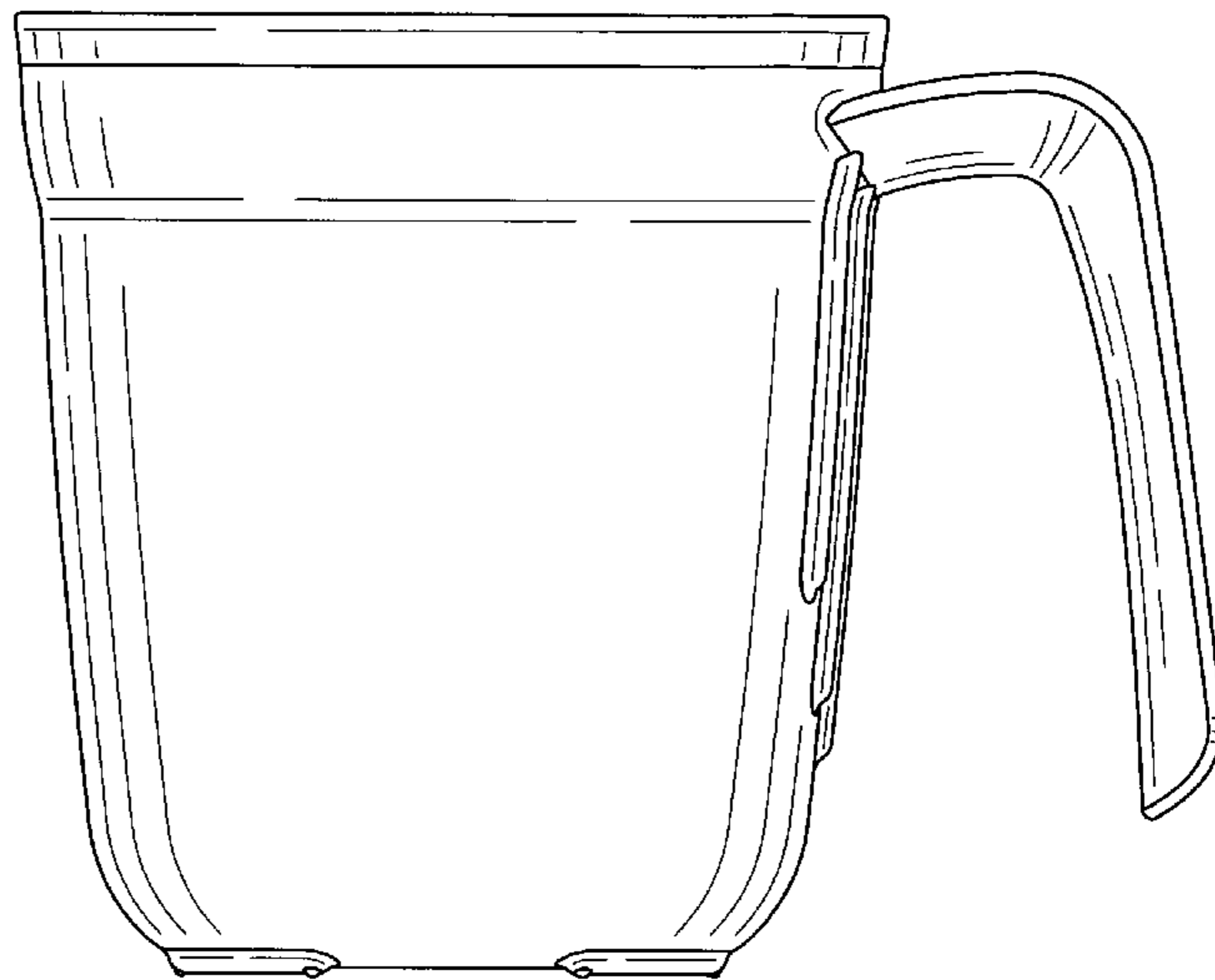
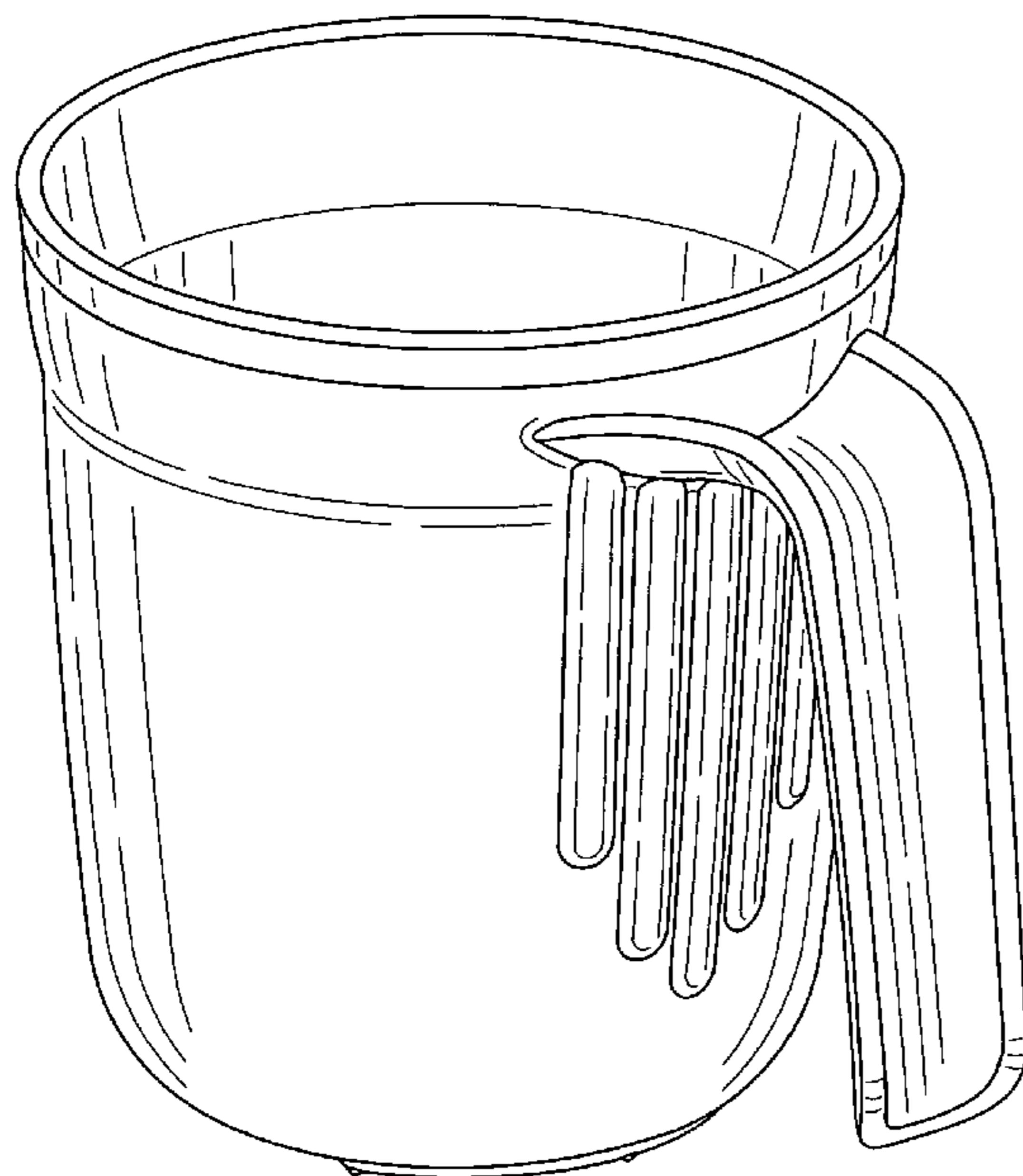
FIG. 4 is a left side elevation thereof;

FIG. 5 is a top plan view thereof;

FIG. 6 is a bottom plan view thereof; and,

FIG. 7 is a bottom, side, and rear perspective view thereof.

1 Claim, 4 Drawing Sheets



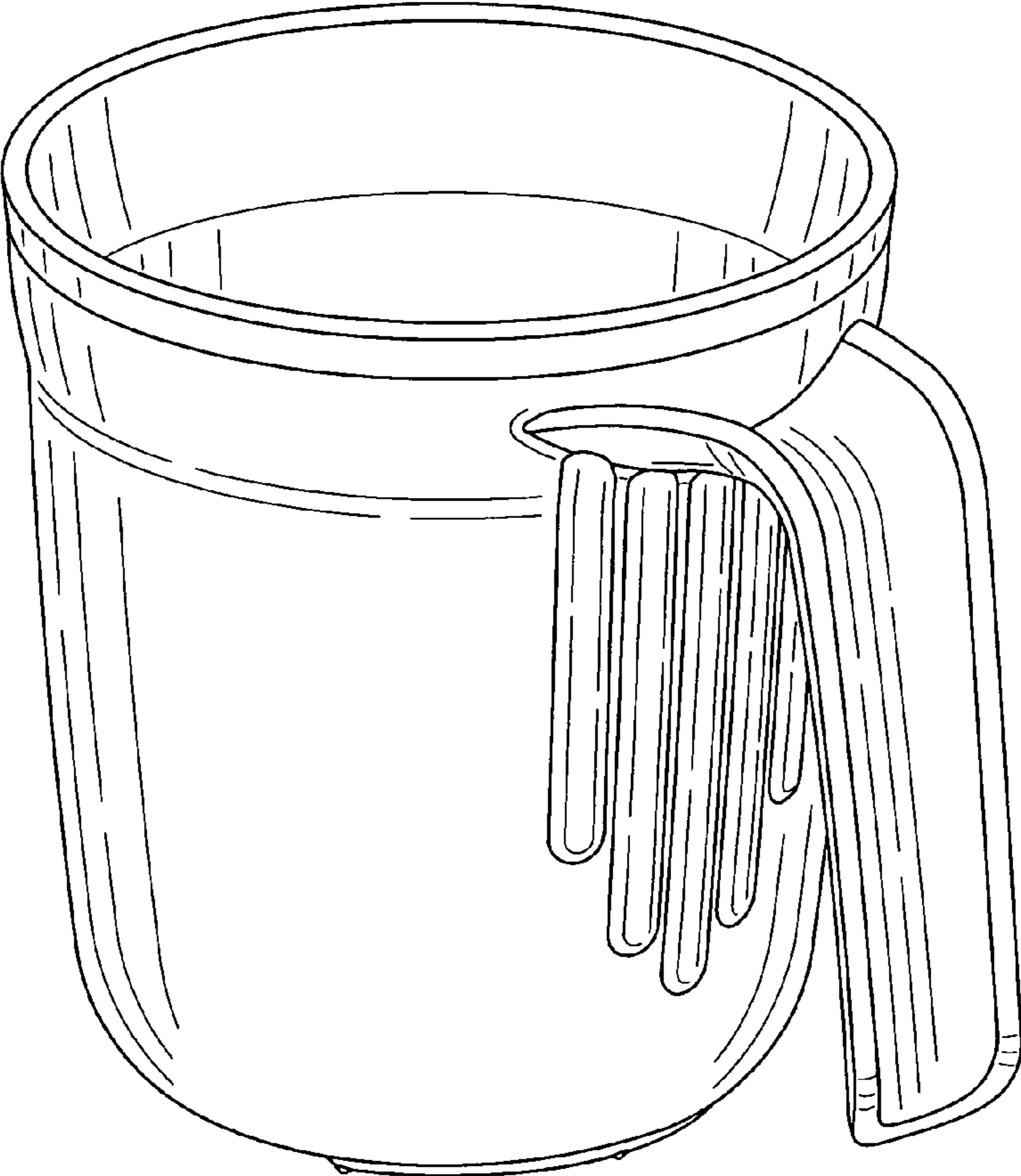


FIG. 1

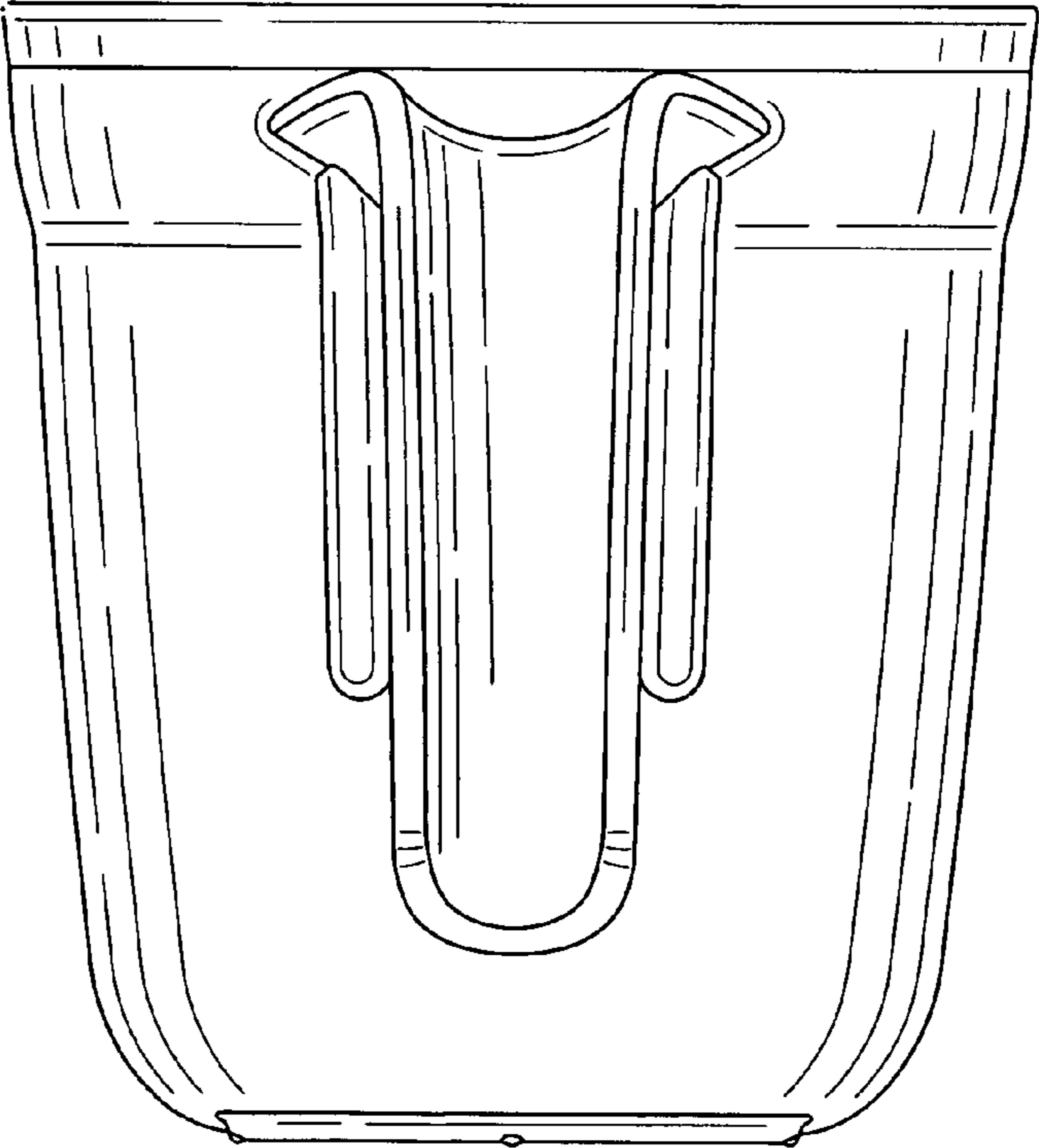


FIG. 3

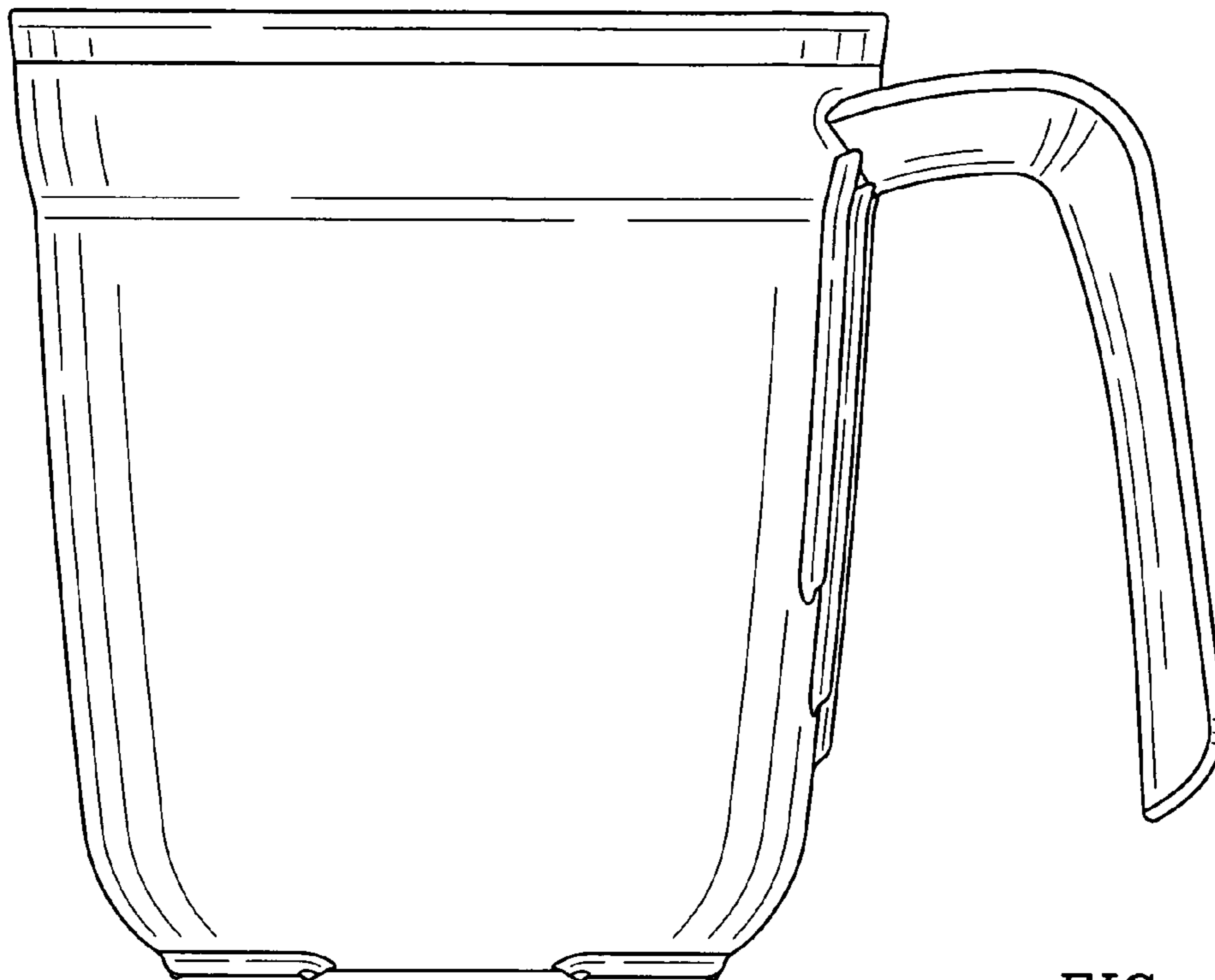


FIG. 2

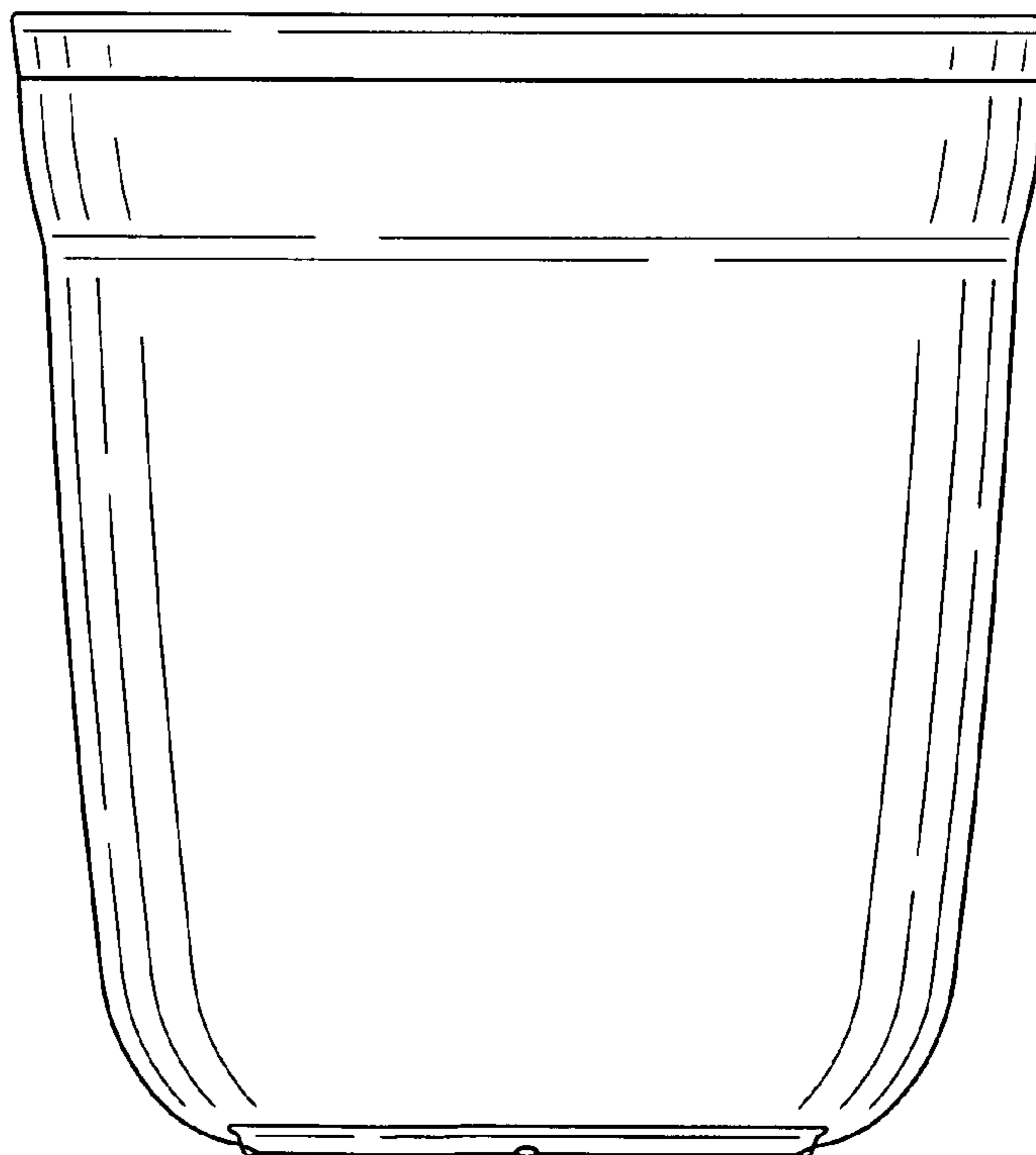


FIG. 4

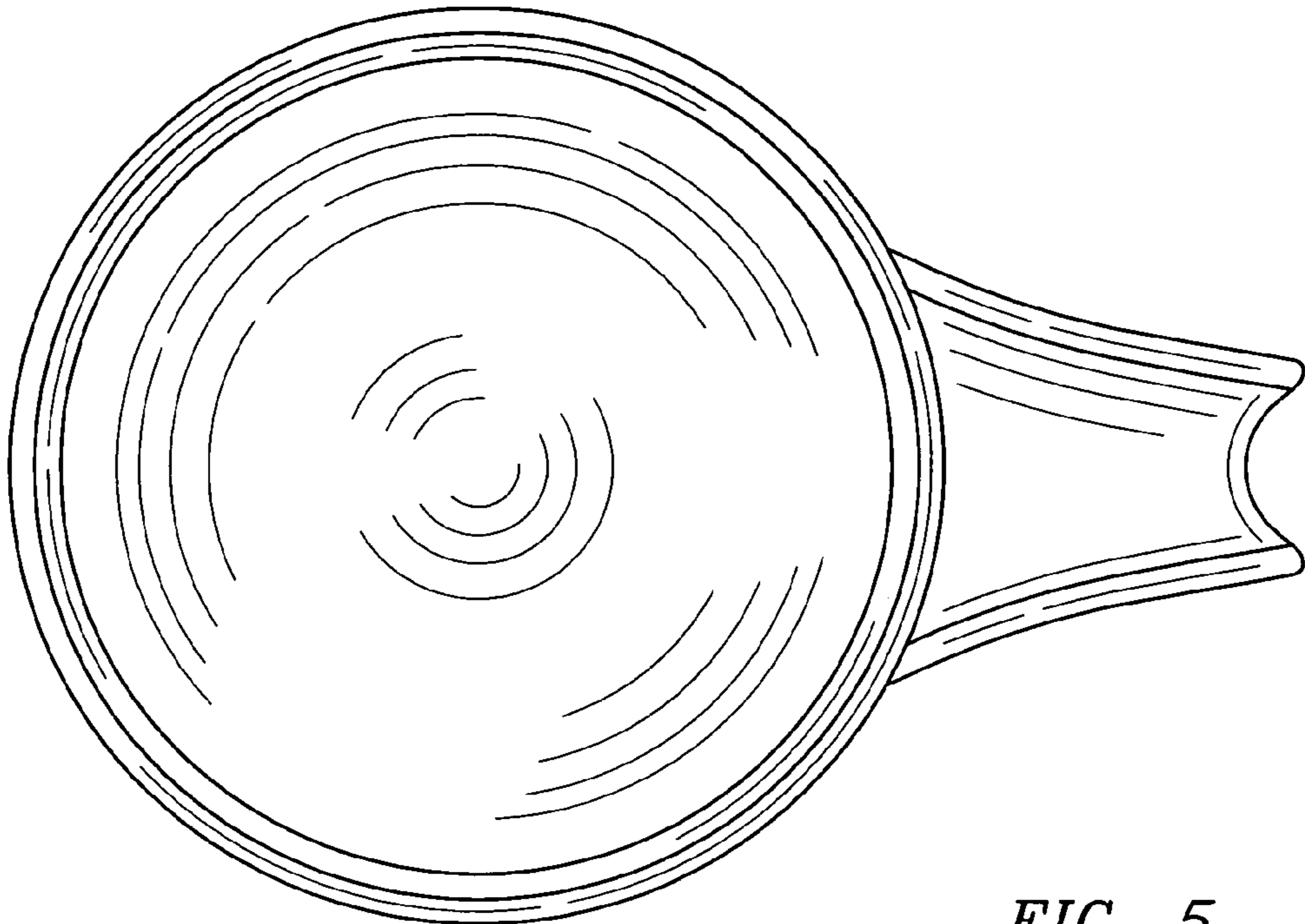


FIG. 5

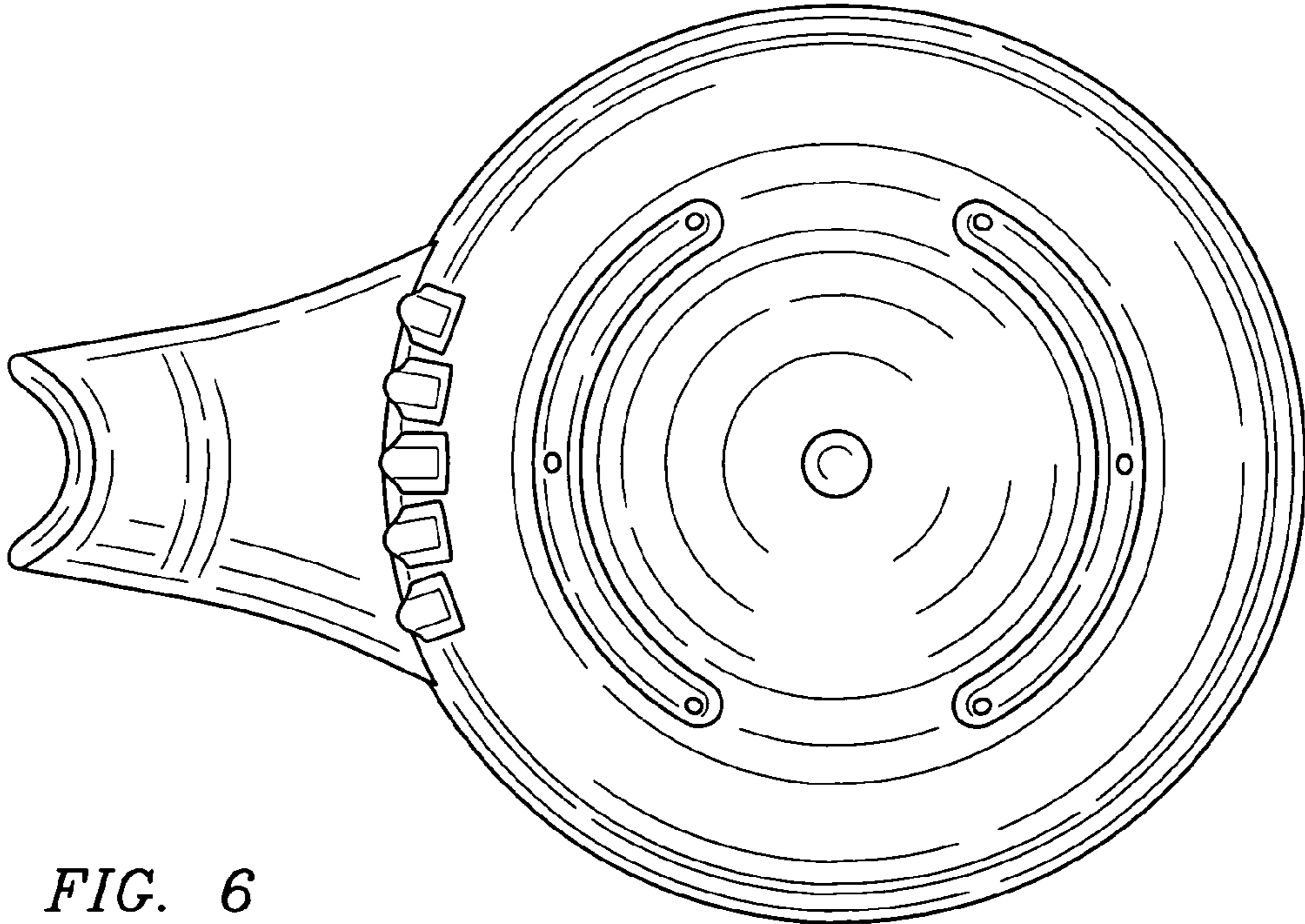


FIG. 6

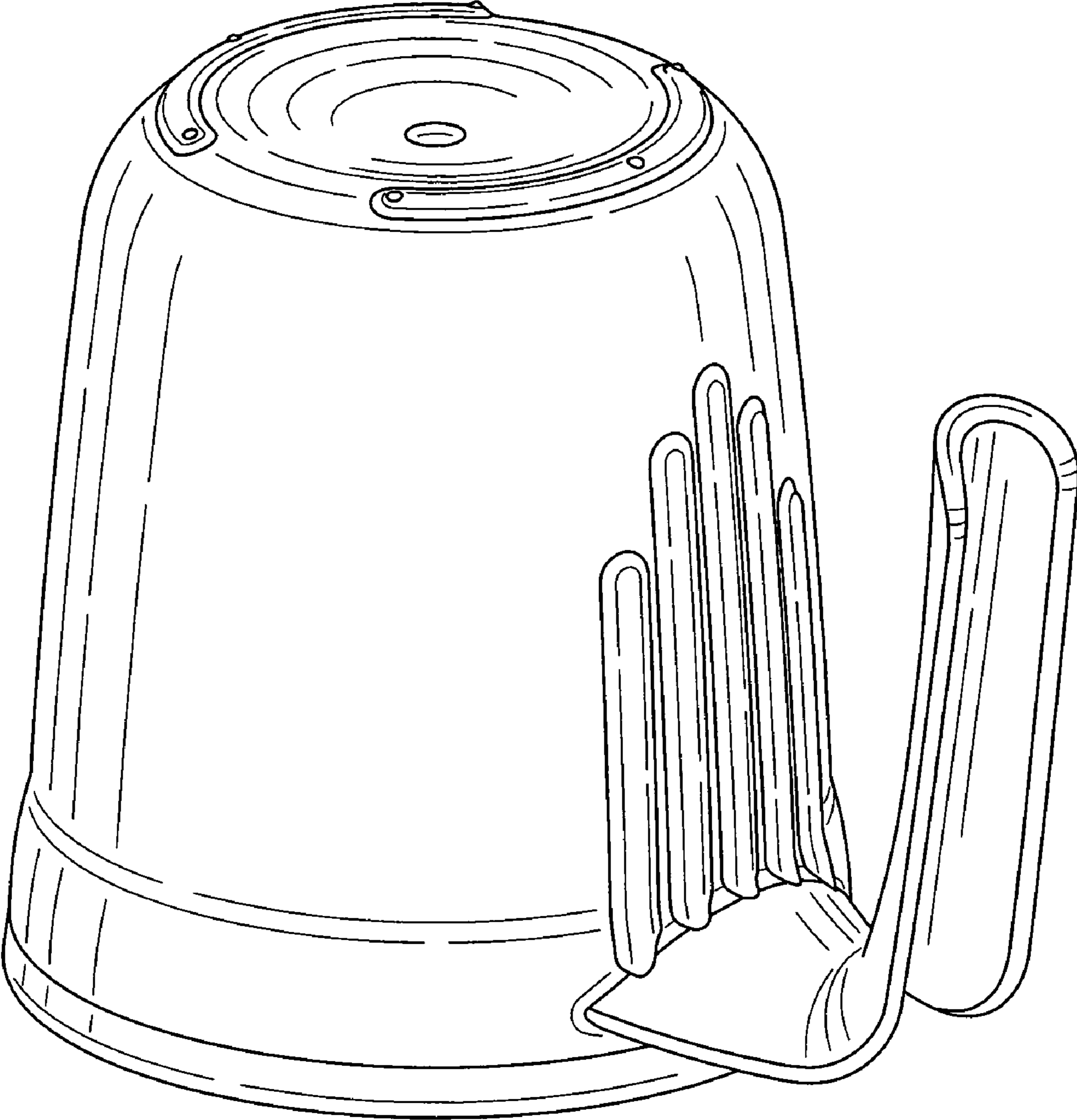


FIG. 7