



US00D646523S

(12) **United States Design Patent**
Johnson et al.

(10) **Patent No.:** **US D646,523 S**

(45) **Date of Patent:** **** Oct. 11, 2011**

(54) **T-HANDLE DEVICE**

(75) Inventors: **Steven M. Johnson**, Westford, MA
(US); **Gregory Cook**, Holliston, MA
(US)

(73) Assignee: **ITT Manufacturing Enterprises Inc.**,
Wilmington, DE (US)

(**) Term: **14 Years**

(21) Appl. No.: **29/369,838**

(22) Filed: **Sep. 14, 2010**

(51) **LOC (9) Cl.** **07-99**

(52) **U.S. Cl.** **D7/398; D7/397**

(58) **Field of Classification Search** **D7/397,**
D7/398, 300, 306, 313; D8/306, 83, 107;
222/468; 137/14

See application file for complete search history.

(56) **References Cited**

U.S. PATENT DOCUMENTS

D419,826	S	*	2/2000	Edwards et al.	D7/398
D440,631	S	*	4/2001	Shipway	D23/233
6,364,176	B1	*	4/2002	Kilian	222/468
D501,359	S	*	2/2005	Bodum	D7/397
6,851,584	B2	*	2/2005	White	222/475
D552,949	S	*	10/2007	Strahorn	D8/21

D555,454	S	*	11/2007	Noniewicz	D8/72
7,373,860	B1	*	5/2008	Rinner	81/177.1
D605,024	S	*	12/2009	Cotton	D8/302
D631,291	S	*	1/2011	Kushner et al.	D7/398
D632,157	S	*	2/2011	Le	D8/306
7,887,539	B2	*	2/2011	Dunbar et al.	606/86 A

* cited by examiner

Primary Examiner — Marianne Pandozzi

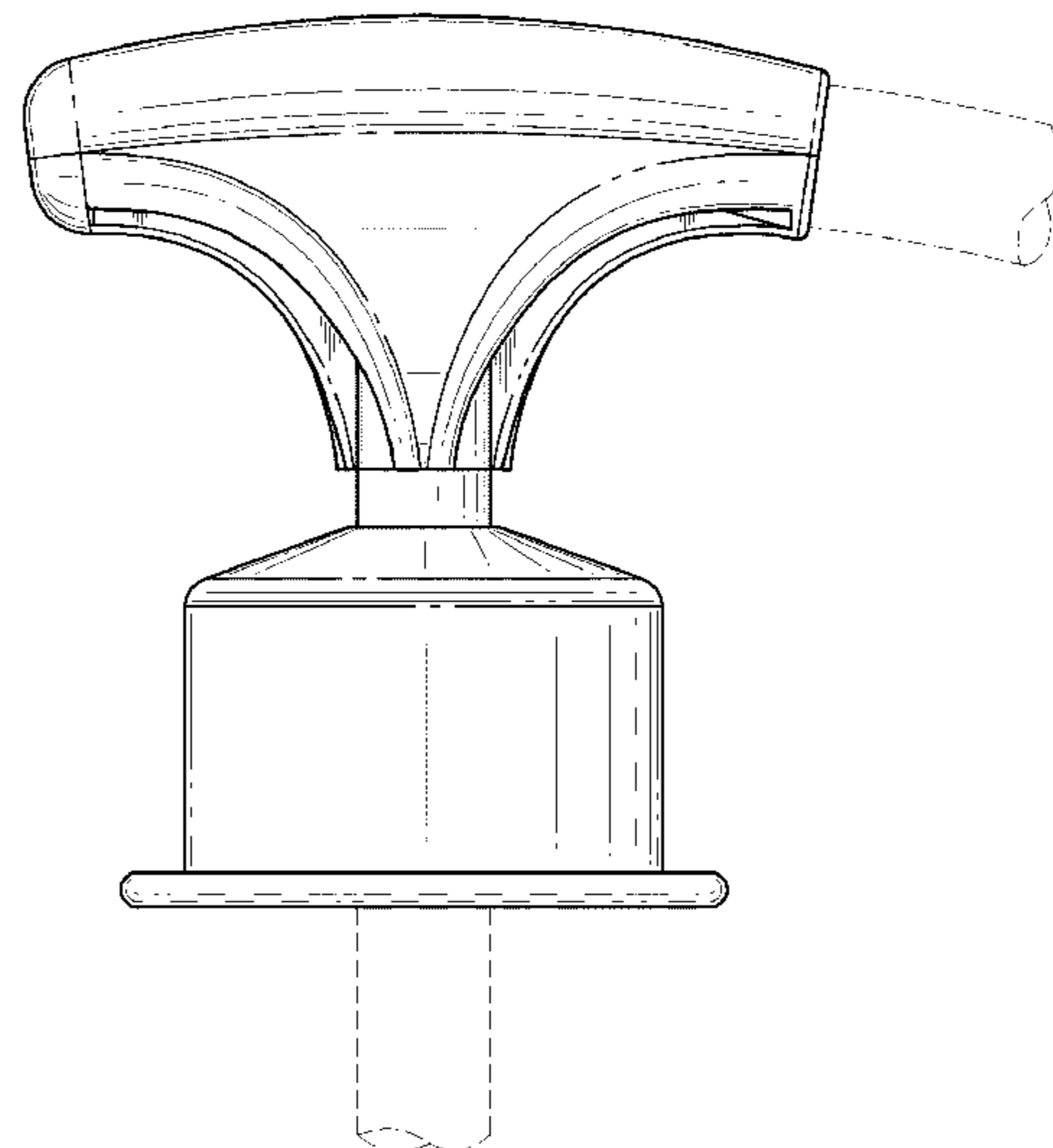
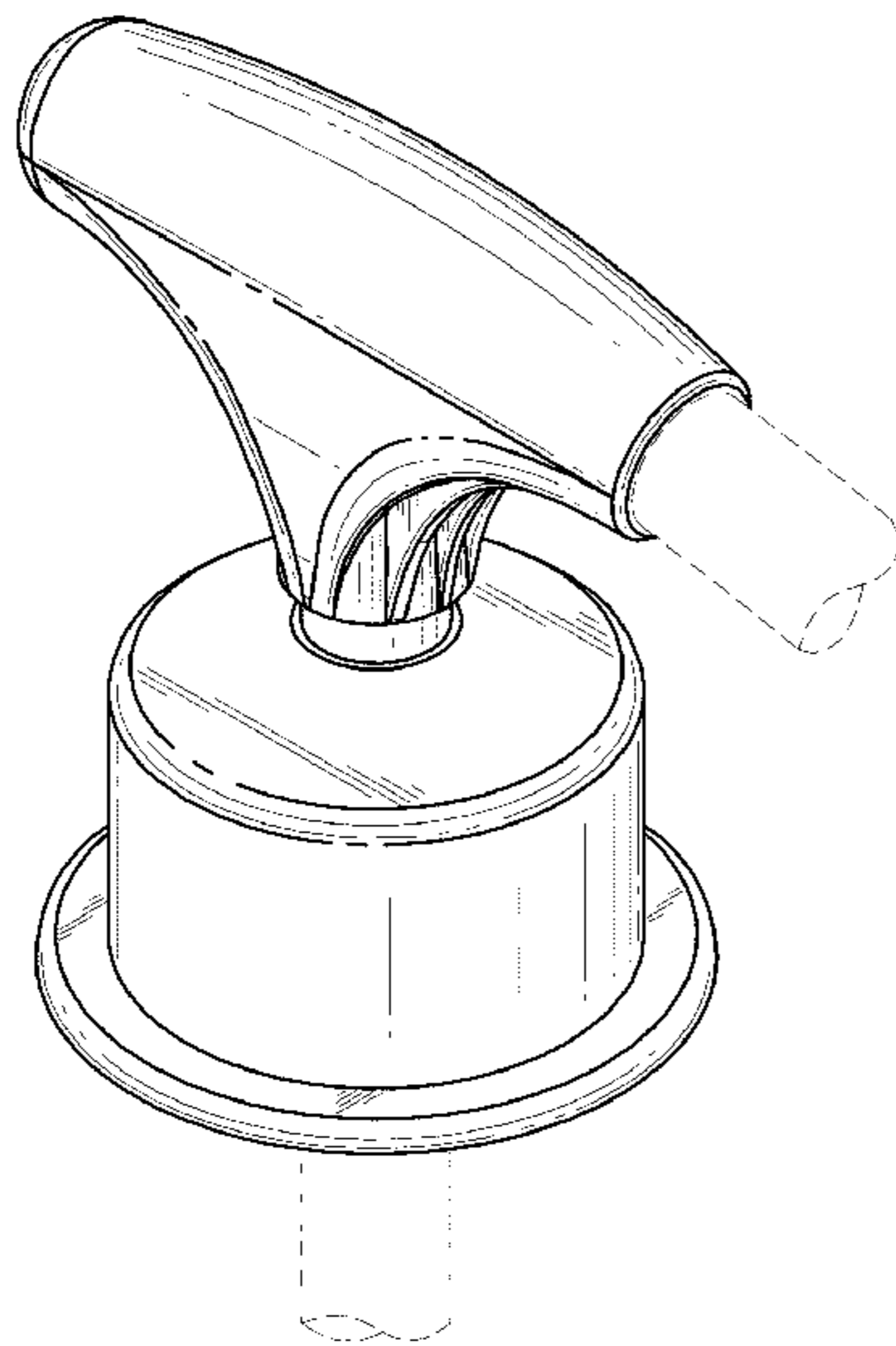
(57) **CLAIM**

We claim the ornamental design for a T-handle device, as shown and described.

DESCRIPTION

FIG. 1 is a top perspective view of a T-handle device according to some embodiments of the present invention; FIG. 2 is a bottom view of the T-handle device shown in FIG. 1 showing our new design; FIG. 3 is a side view of the T-handle device shown in FIG. 1 showing our new design; FIG. 4 is a top view of the T-handle device shown in FIG. 1 showing our new design; FIG. 5 is a front view of the T-handle device shown in FIG. 1 showing our new design; and, FIG. 6 is a back view of the T-handle device shown in FIG. 1 showing our new design.

1 Claim, 3 Drawing Sheets



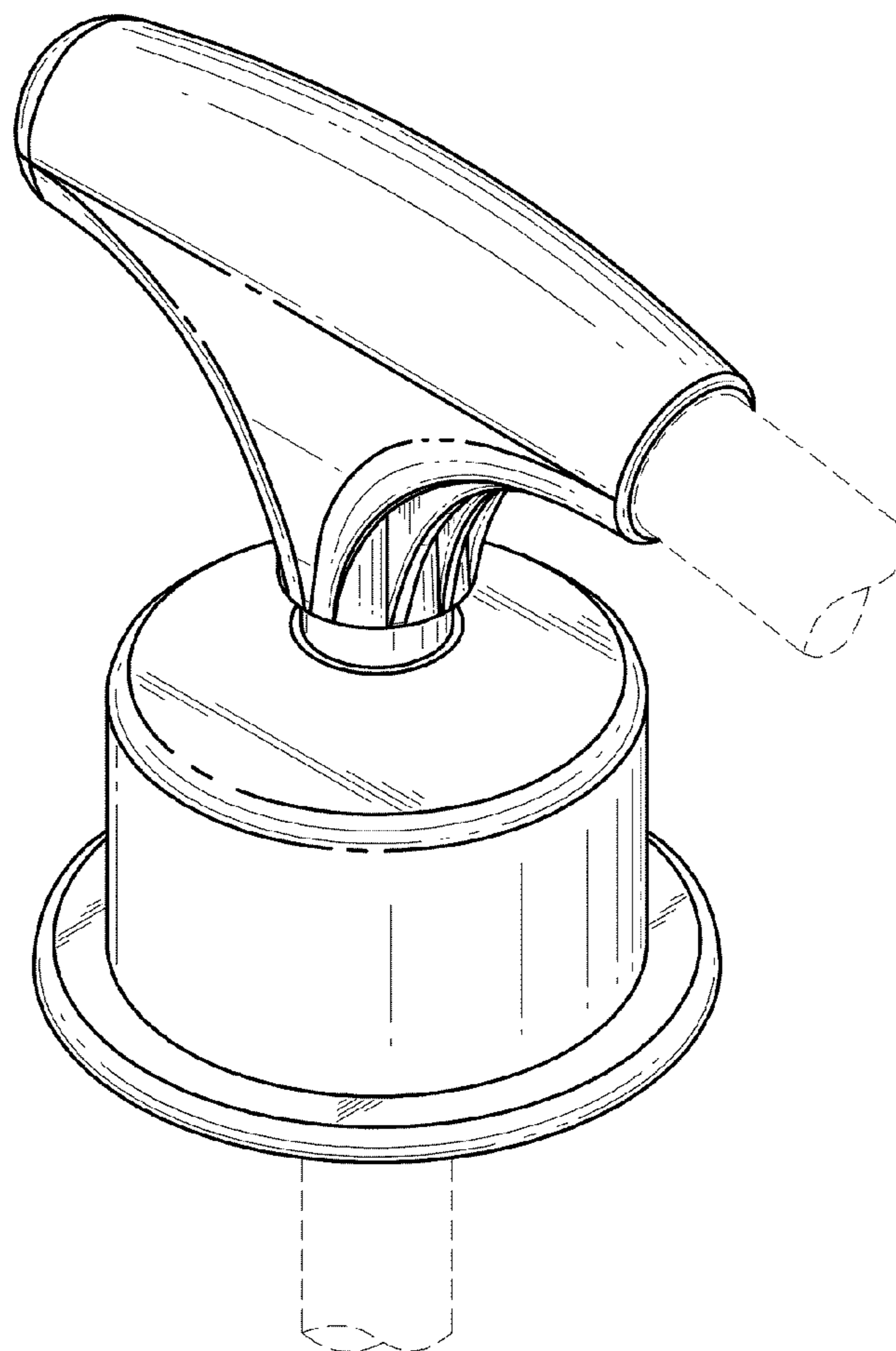


FIG. 1

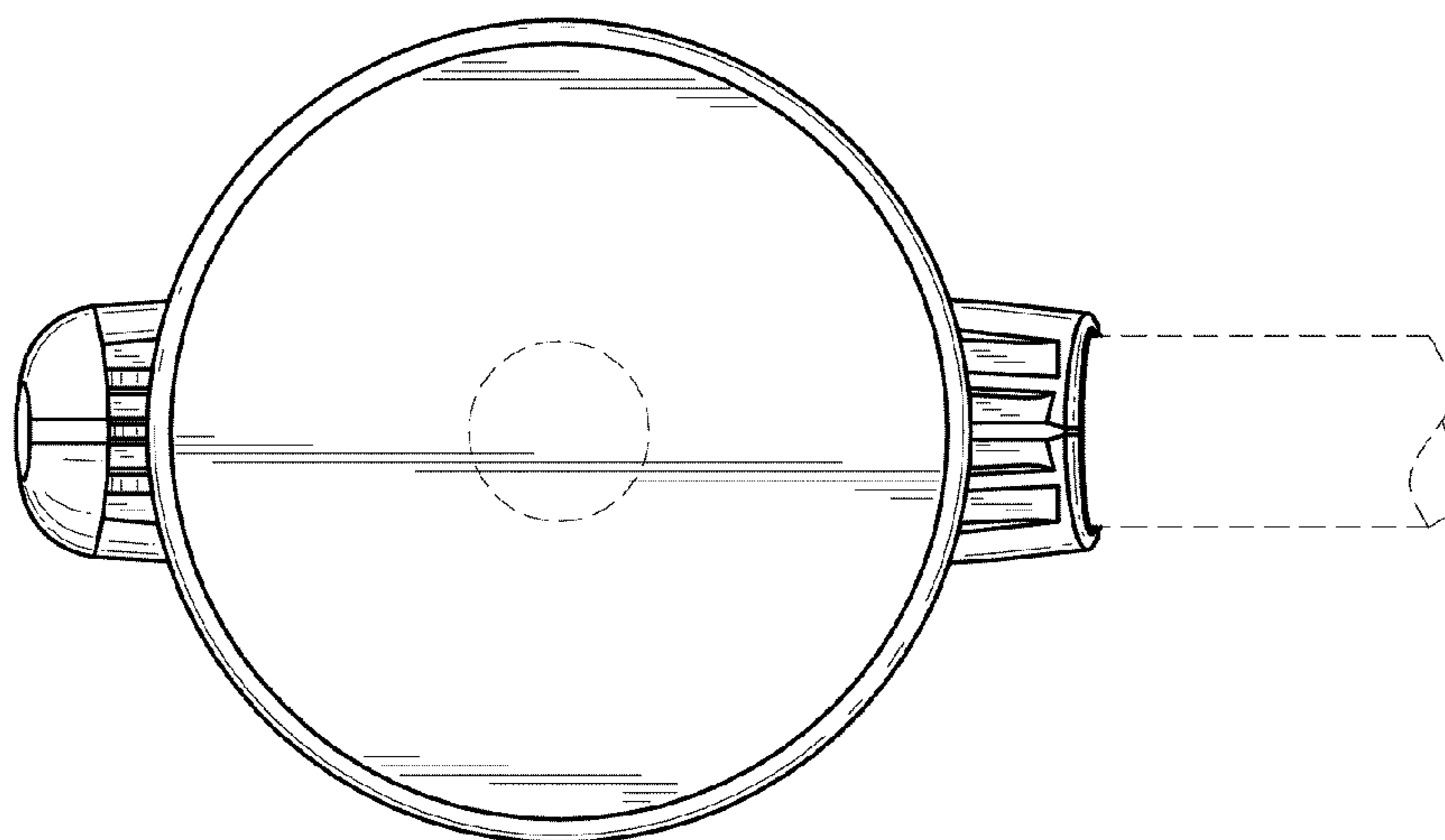


FIG. 2

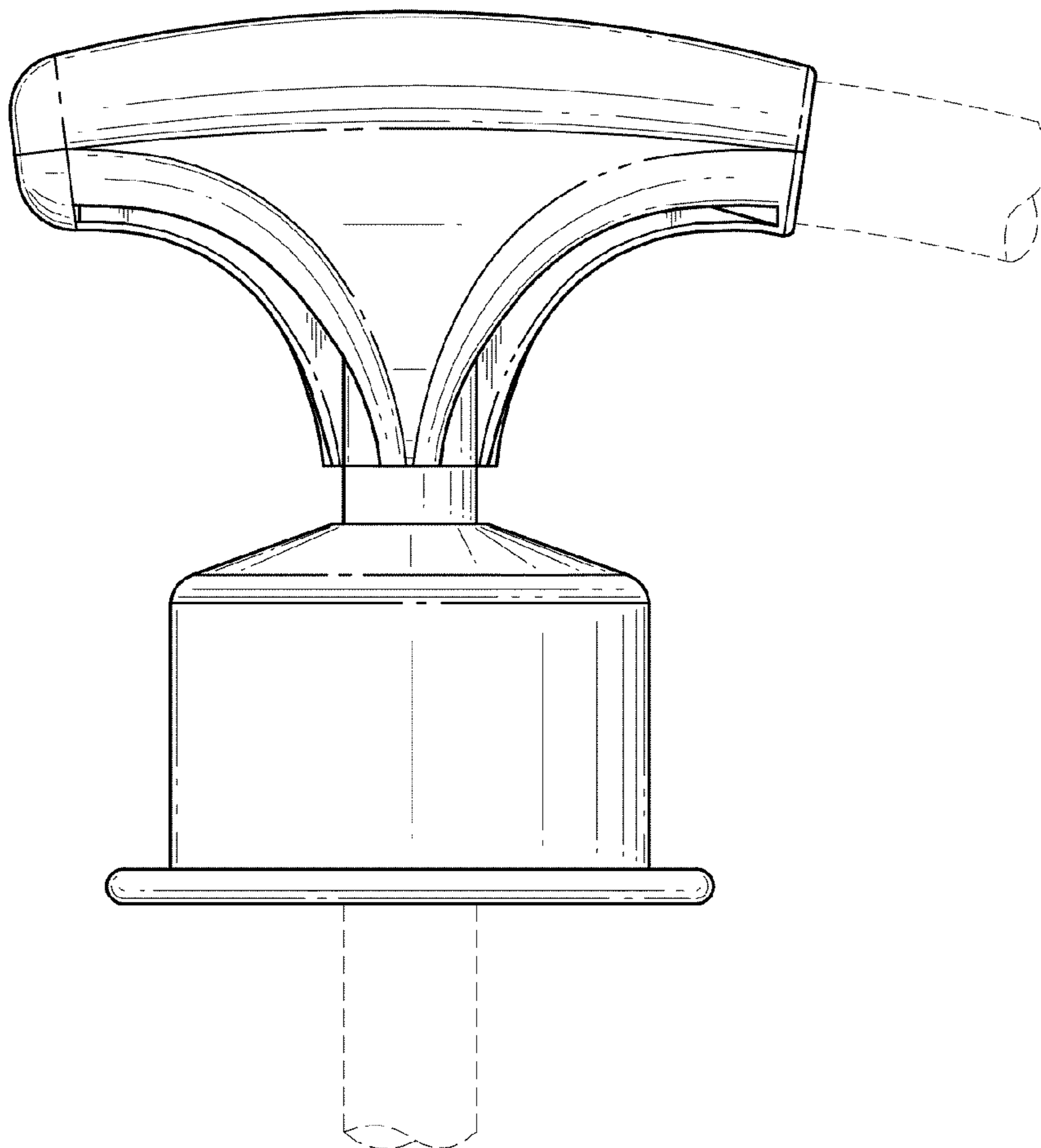


FIG. 3

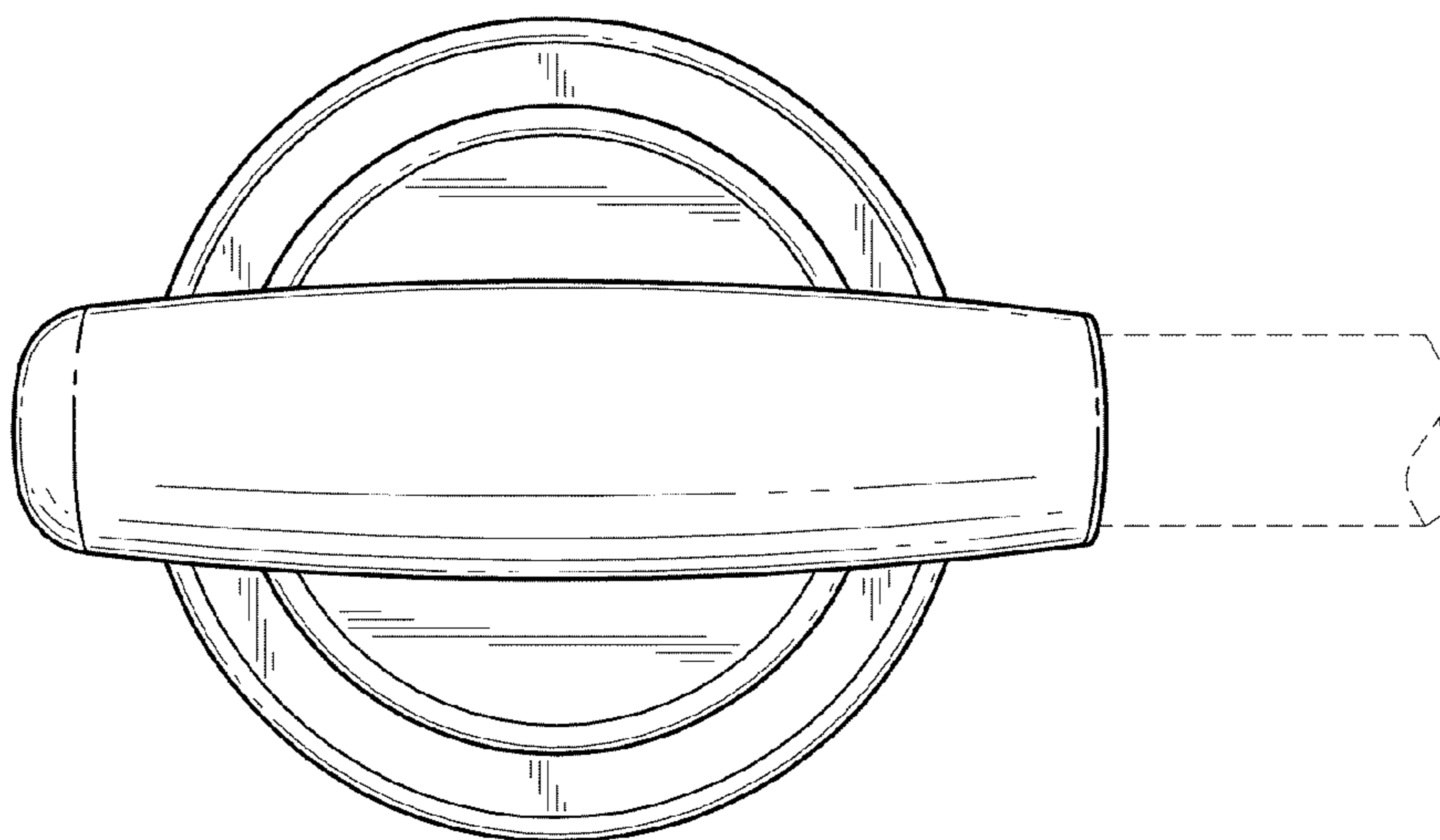


FIG. 4

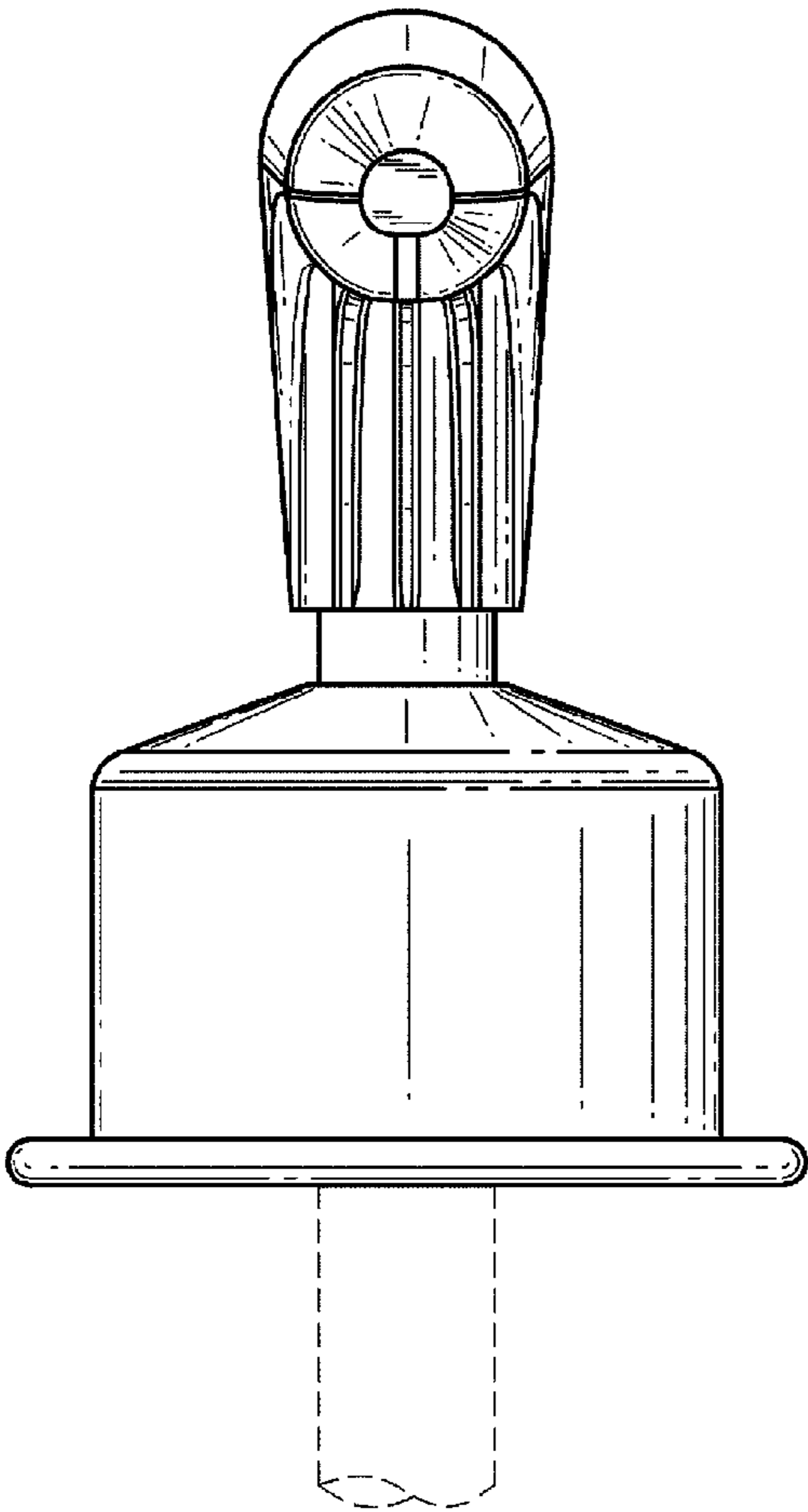


FIG. 5

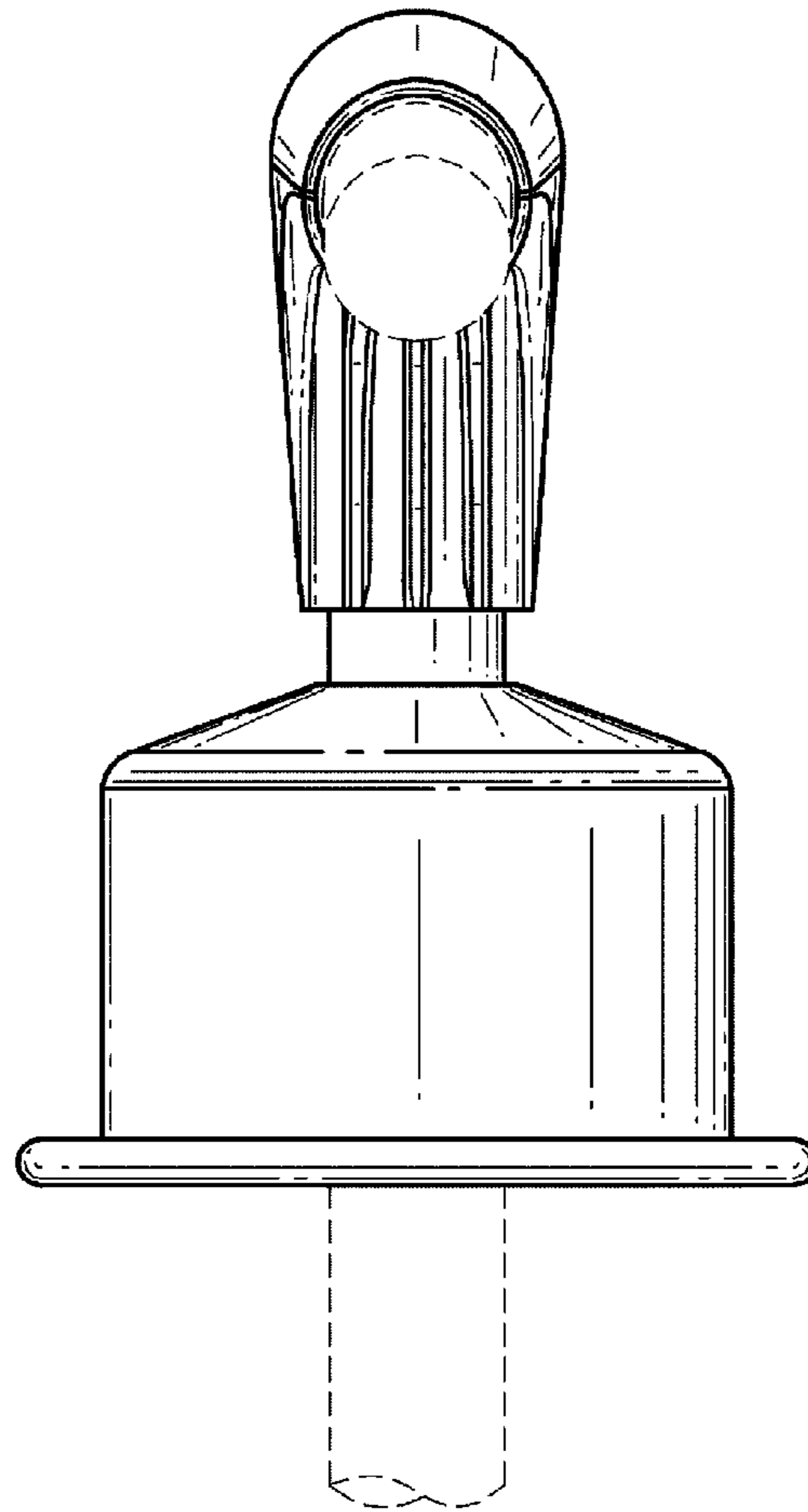


FIG. 6

UNITED STATES PATENT AND TRADEMARK OFFICE
CERTIFICATE OF CORRECTION

PATENT NO. : D646,523 S
APPLICATION NO. : 29/369838
DATED : October 11, 2011
INVENTOR(S) : Steven M. Johnson et al.

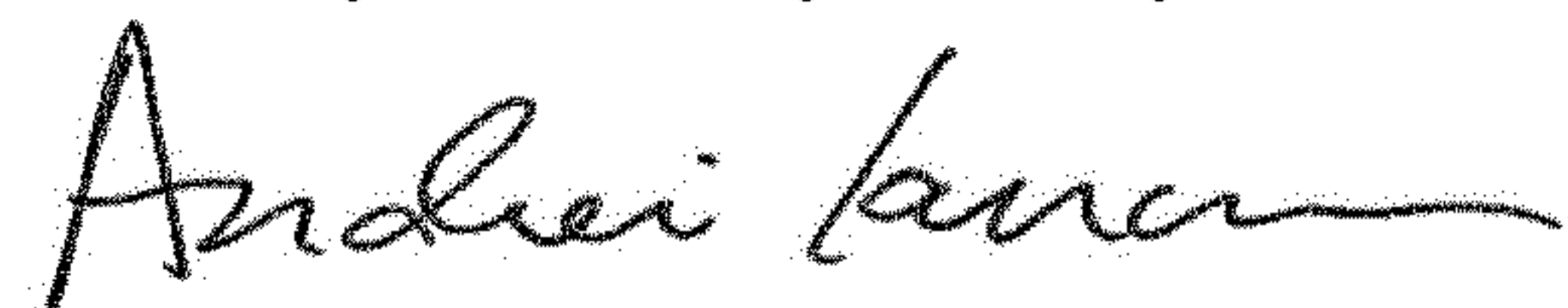
Page 1 of 1

It is certified that error appears in the above-identified patent and that said Letters Patent is hereby corrected as shown below:

On the Title Page

Item (57), under DESCRIPTION for Figure 1, delete “according to some embodiments of the present invention” and insert --showing our new design--.

Signed and Sealed this
Thirty-first Day of July, 2018



Andrei Iancu
Director of the United States Patent and Trademark Office