



US00D646522S

(12) **United States Design Patent**  
**Collinson**

(10) **Patent No.:** **US D646,522 S**

(45) **Date of Patent:** **\*\* Oct. 11, 2011**

(54) **MILK FROTHER**

(75) Inventor: **Mike Collinson**, Derbyshire (GB)

(73) Assignee: **Foremost B.V.**, Eemnes (NL)

(\*\*) Term: **14 Years**

(21) Appl. No.: **29/383,140**

(22) Filed: **Jan. 12, 2011**

(51) **LOC (9) Cl.** ..... **31-00**

(52) **U.S. Cl.** ..... **D7/376; D7/378**

(58) **Field of Classification Search** ..... D7/305-313,  
D7/317-323, 368, 372-386, 391, 412-415,  
D7/510, 608, 665, 679; D9/454, 502, 655,  
D9/746; 99/326, 348, 508-511; 222/25;  
241/30-37.5, 101.01-101.2, 166-169.1,  
241/285.1-285.3, 291, 292.1; 366/64-67,  
366/98, 142, 197-211, 241-254, 279-292,  
366/341-347; 416/75-76, 70 R, 163

See application file for complete search history.

D548,510 S *	8/2007	Huang	.....	D7/318
D553,898 S *	10/2007	De' Longhi	.....	D7/321
D554,425 S *	11/2007	Schwamkrug	.....	D7/318
D558,508 S *	1/2008	Picozza et al.	.....	D7/317
D584,912 S *	1/2009	Green et al.	.....	D7/318
D586,172 S *	2/2009	Brizio	.....	D7/319
D586,605 S *	2/2009	Ma et al.	.....	D7/317
D587,957 S *	3/2009	Imai	.....	D7/317
D592,446 S *	5/2009	Berlencourt	.....	D7/376
D602,304 S *	10/2009	Elissen	.....	D7/318
D607,684 S *	1/2010	Elissen	.....	D7/318
D607,685 S *	1/2010	Elissen	.....	D7/318
D613,988 S *	4/2010	Lane et al.	.....	D7/317
D628,008 S *	11/2010	Dahlstrom	.....	D7/319
D630,463 S *	1/2011	Picozza et al.	.....	D7/318
D633,324 S *	3/2011	Mondragon et al.	.....	D7/317

\* cited by examiner

*Primary Examiner* — Ricky Pham

(74) *Attorney, Agent, or Firm* — Kilpatrick Townsend & Stockton LLP

(57) **CLAIM**

The ornamental design for a milk frother, as shown and described.

**DESCRIPTION**

FIG. 1 is a perspective view of a milk frother showing my new design;

FIG. 2 is a left elevational view thereof;

FIG. 3 is a right elevational view thereof;

FIG. 4 is a front elevational view thereof;

FIG. 5 is a rear elevational view thereof;

FIG. 6 is a top plan view thereof; and,

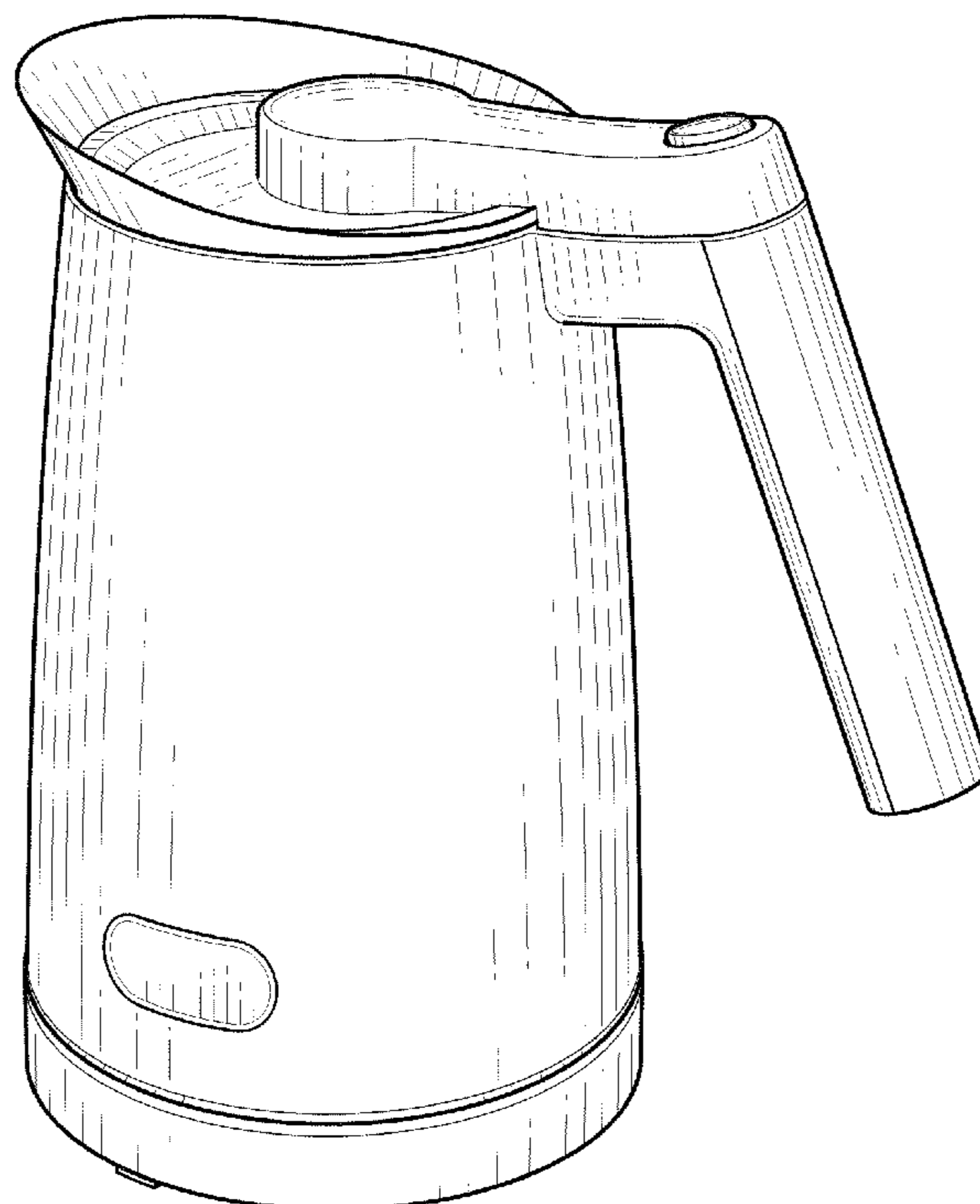
FIG. 7 is a bottom plan view thereof.

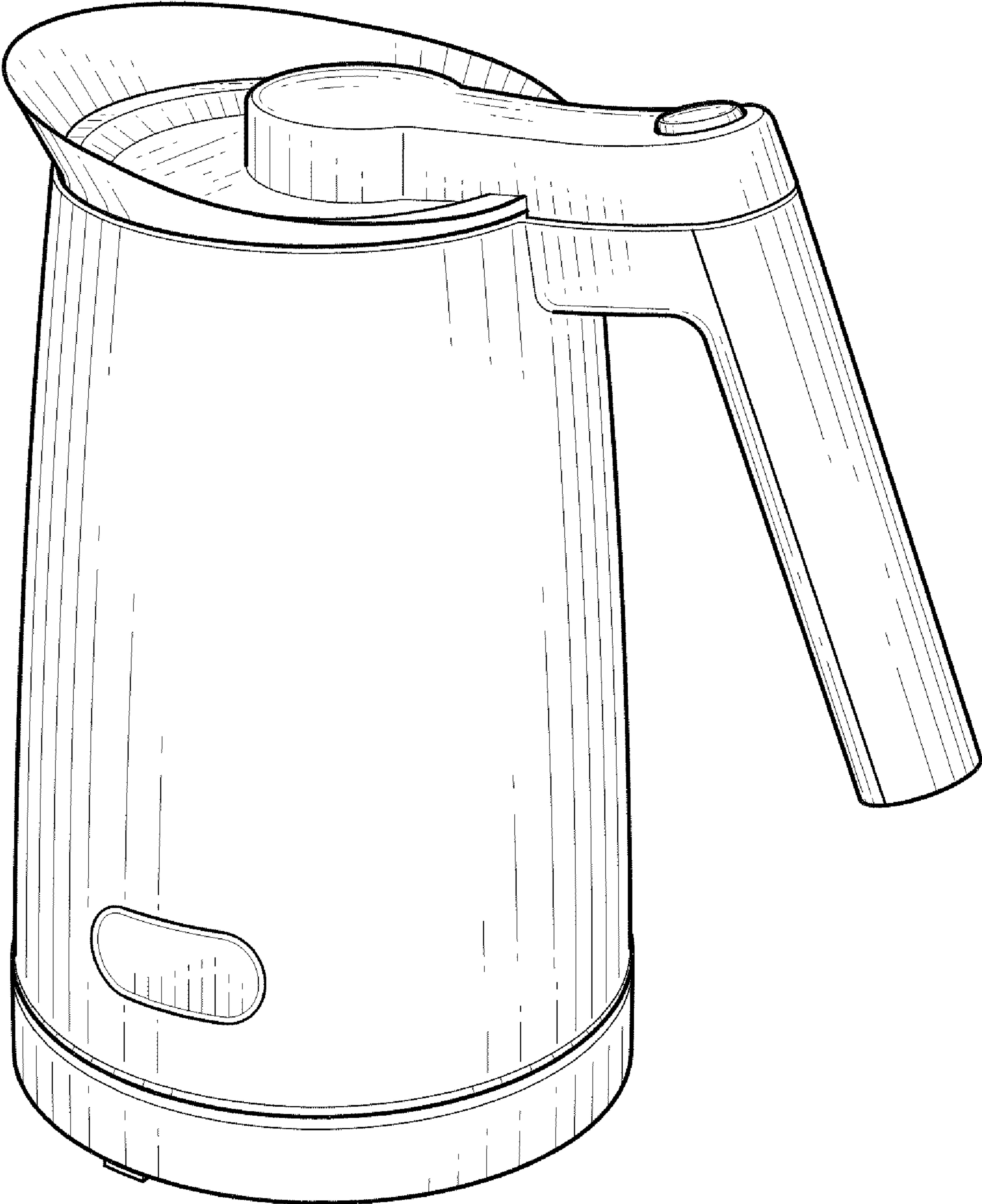
**1 Claim, 6 Drawing Sheets**

(56) **References Cited**

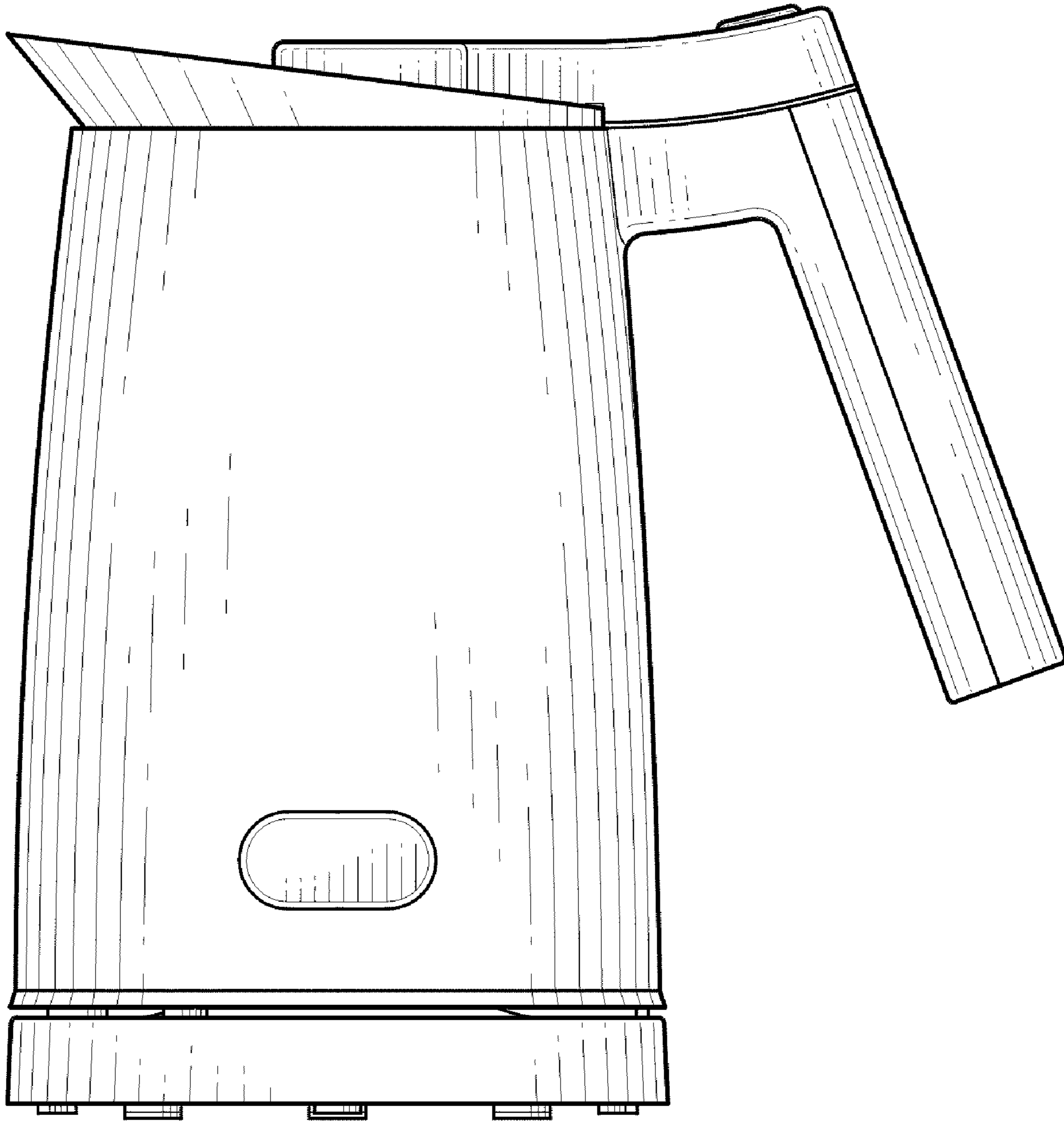
**U.S. PATENT DOCUMENTS**

D221,796 S *	9/1971	Greger	.....	D7/317
D308,459 S *	6/1990	Balzano	.....	D7/317
D420,545 S *	2/2000	Huang	.....	D7/318
D481,254 S *	10/2003	Lin	.....	D7/318
D492,879 S *	7/2004	Allemand	.....	D7/318
6,974,051 B1 *	12/2005	Lin	.....	222/25
D522,796 S *	6/2006	Teh-Hsiung	.....	D7/318
D527,940 S *	9/2006	Cohen	.....	D7/318
D528,846 S *	9/2006	Tamura	.....	D7/318
D545,111 S *	6/2007	Brown	.....	D7/317

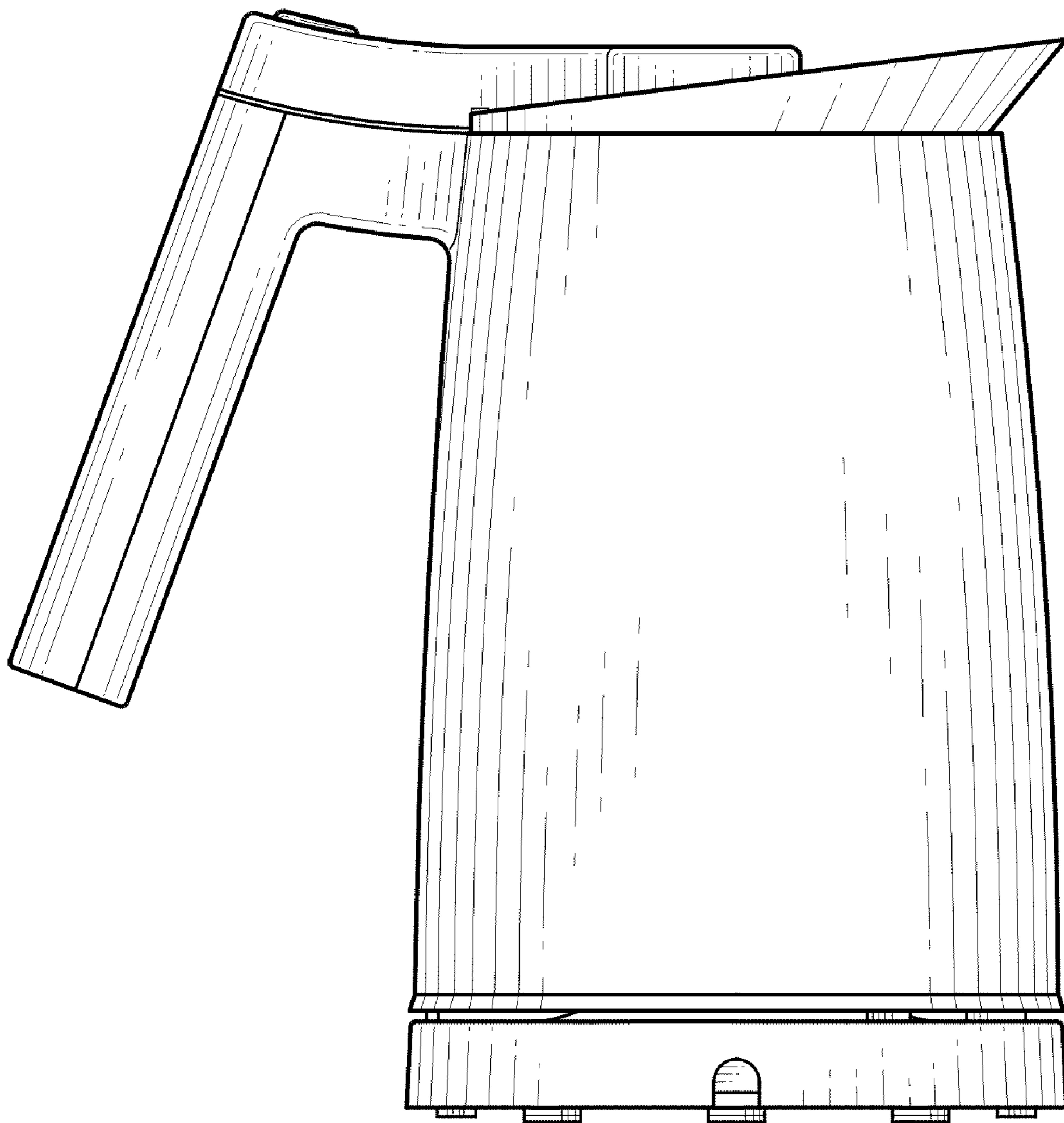




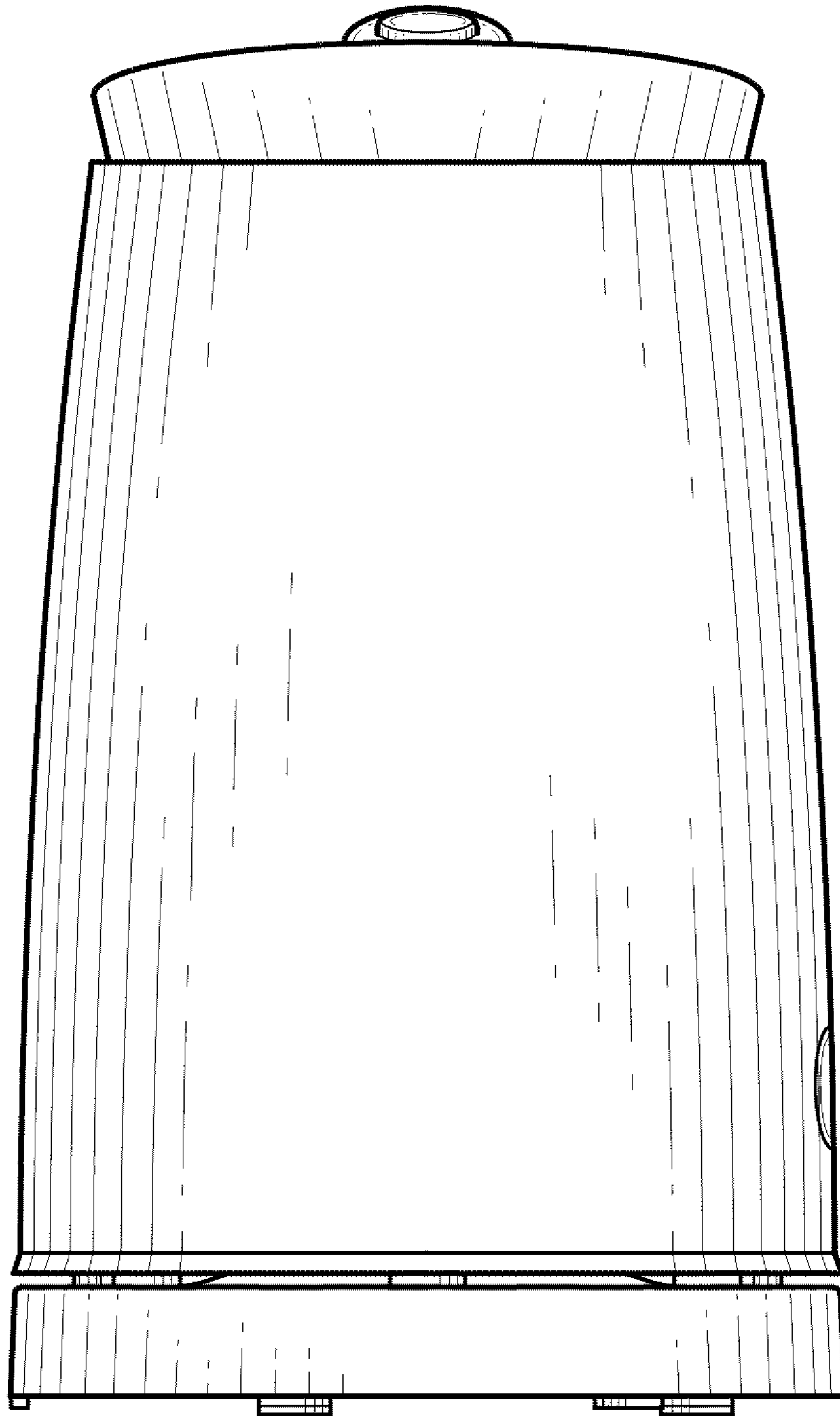
*Fig. 1*



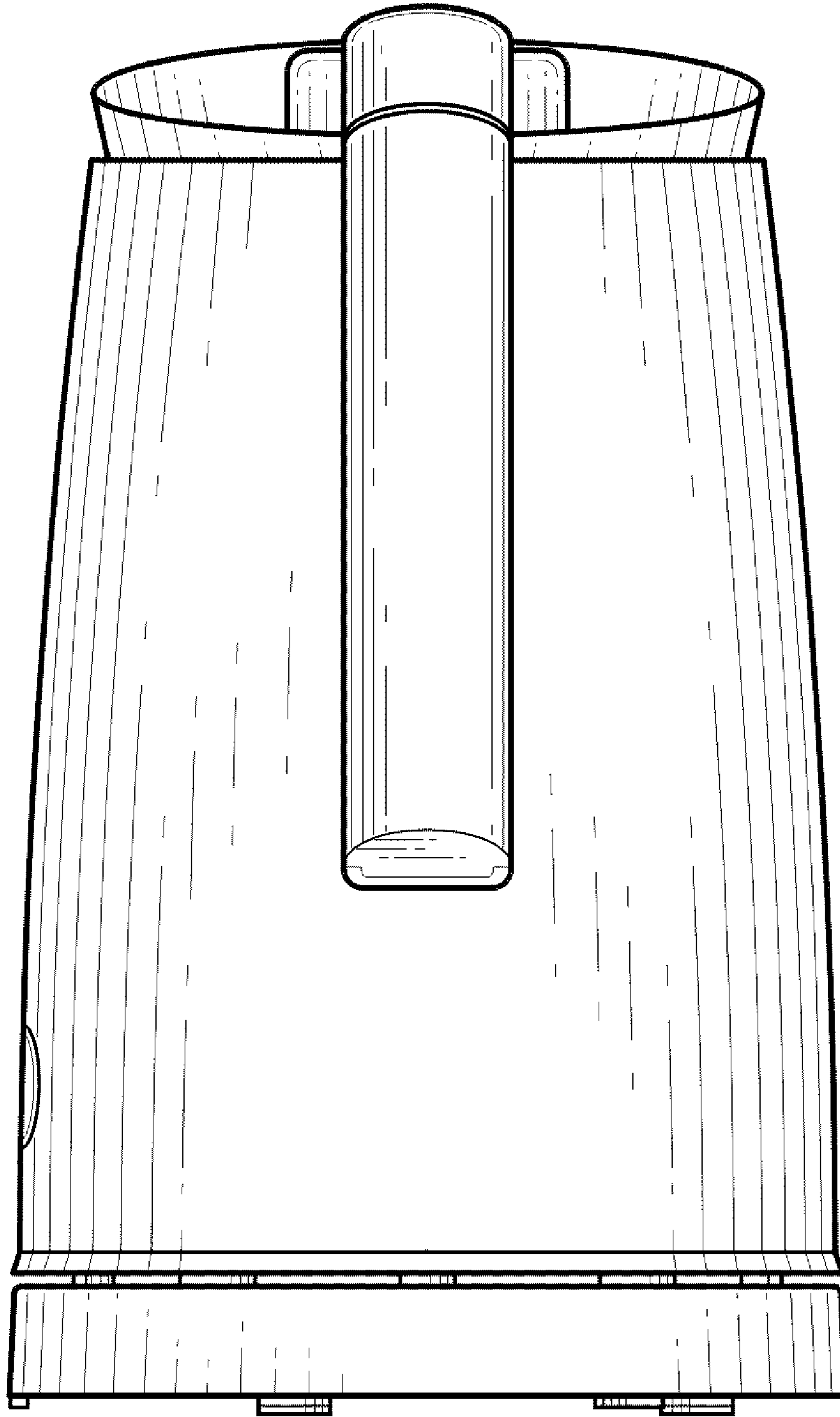
*Fig. 2*



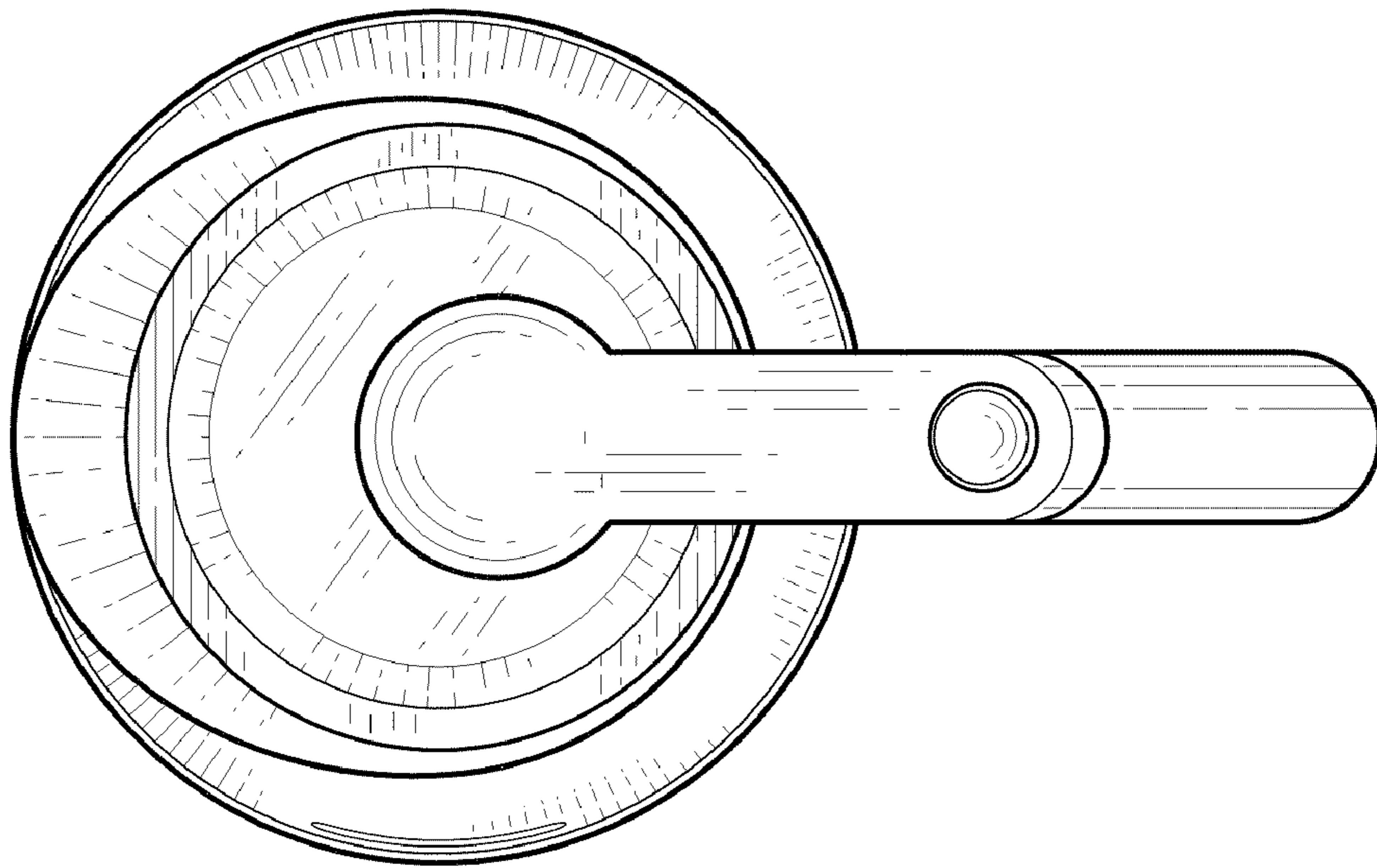
*Fig. 3*



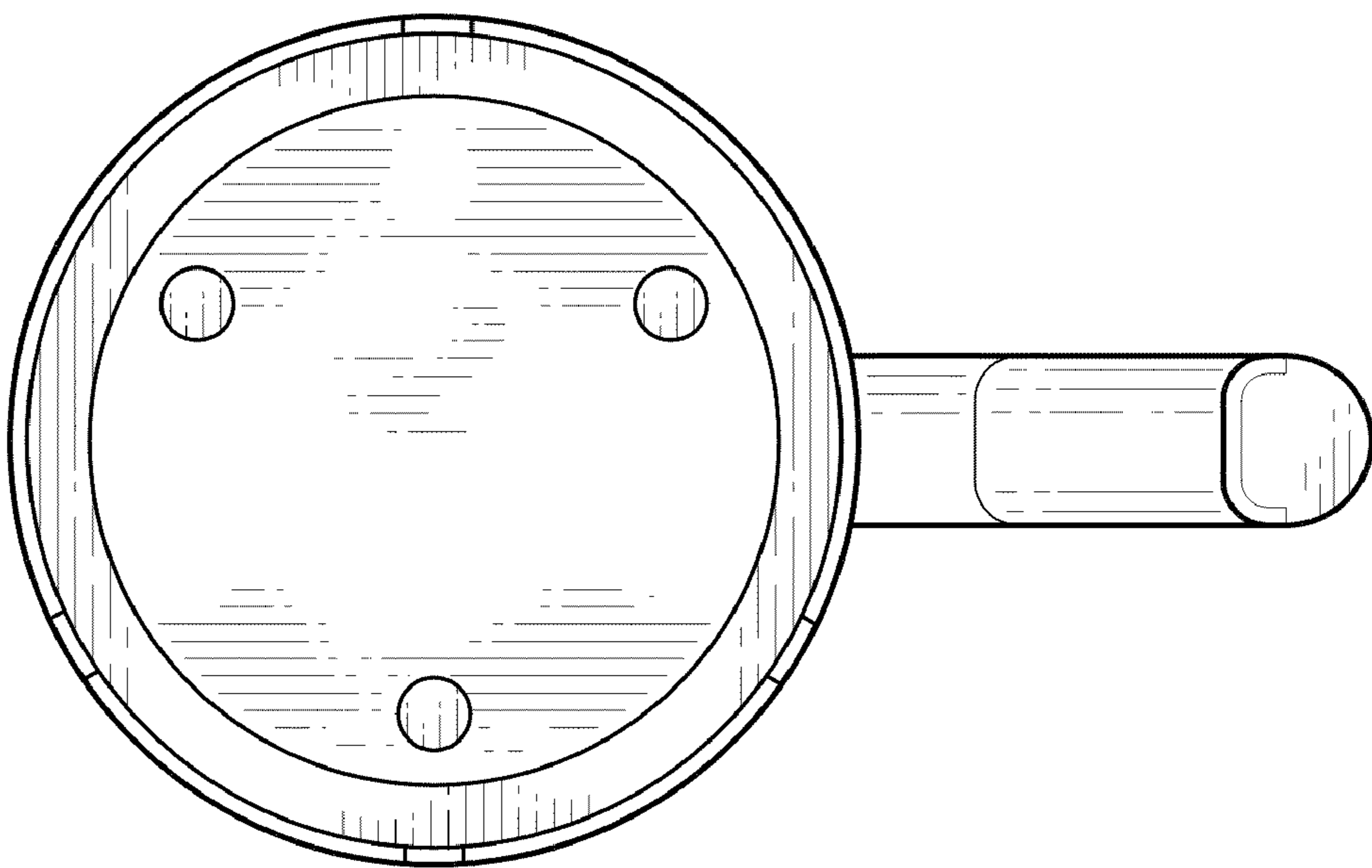
*Fig. 4*



*Fig. 5*



*Fig. 6*



*Fig. 7*