



US00D646520S

(12) **United States Design Patent**
Collinson

(10) **Patent No.:** **US D646,520 S**

(45) **Date of Patent:** **** Oct. 11, 2011**

(54) **MILK FROTHER**

(75) Inventor: **Mike Collinson**, Derbyshire (GB)

(73) Assignee: **Foremost B.V.**, Eemnes (NL)

(**) Term: **14 Years**

(21) Appl. No.: **29/383,137**

(22) Filed: **Jan. 12, 2011**

(51) **LOC (9) Cl.** **31-00**

(52) **U.S. Cl.** **D7/376; D7/378**

(58) **Field of Classification Search** D7/305-311,
D7/317-319, 368, 372, 376-386, 391, 412-415,
D7/608, 665; D23/207; 99/326, 348, 508-511;
241/30-37.5, 101.01-101.2, 166-169.1,
241/285.1-285.3, 291, 292.1; 366/64-67,
366/98, 142, 197-211, 241-254, 279-292,
366/341-347; 416/75-76, 70 R, 163
See application file for complete search history.

D554,425 S *	11/2007	Schwamkrug	D7/318
D584,559 S *	1/2009	Bodum	D7/319
D584,570 S *	1/2009	Bodum	D7/608
D586,605 S *	2/2009	Ma et al.	D7/317
D598,696 S *	8/2009	Bodum	D7/319
D603,209 S *	11/2009	Bodum	D7/319
D607,685 S *	1/2010	Elissen	D7/318
D607,686 S *	1/2010	Elissen	D7/319
D611,288 S *	3/2010	Bodum	D7/305
D613,988 S *	4/2010	Lane et al.	D7/317
D622,090 S *	8/2010	Bodum	D7/317
D628,008 S *	11/2010	Dahlstrom	D7/319
D628,426 S *	12/2010	Hoare et al.	D7/319
D633,324 S *	3/2011	Mondragon et al.	D7/317
2001/0036124 A1 *	11/2001	Rubenstein	366/205

* cited by examiner

Primary Examiner — Ricky Pham

(74) *Attorney, Agent, or Firm* — Kilpatrick Townsend & Stockton LLP

(57) **CLAIM**

The ornamental design for a milk frother, as shown and described.

(56) **References Cited**

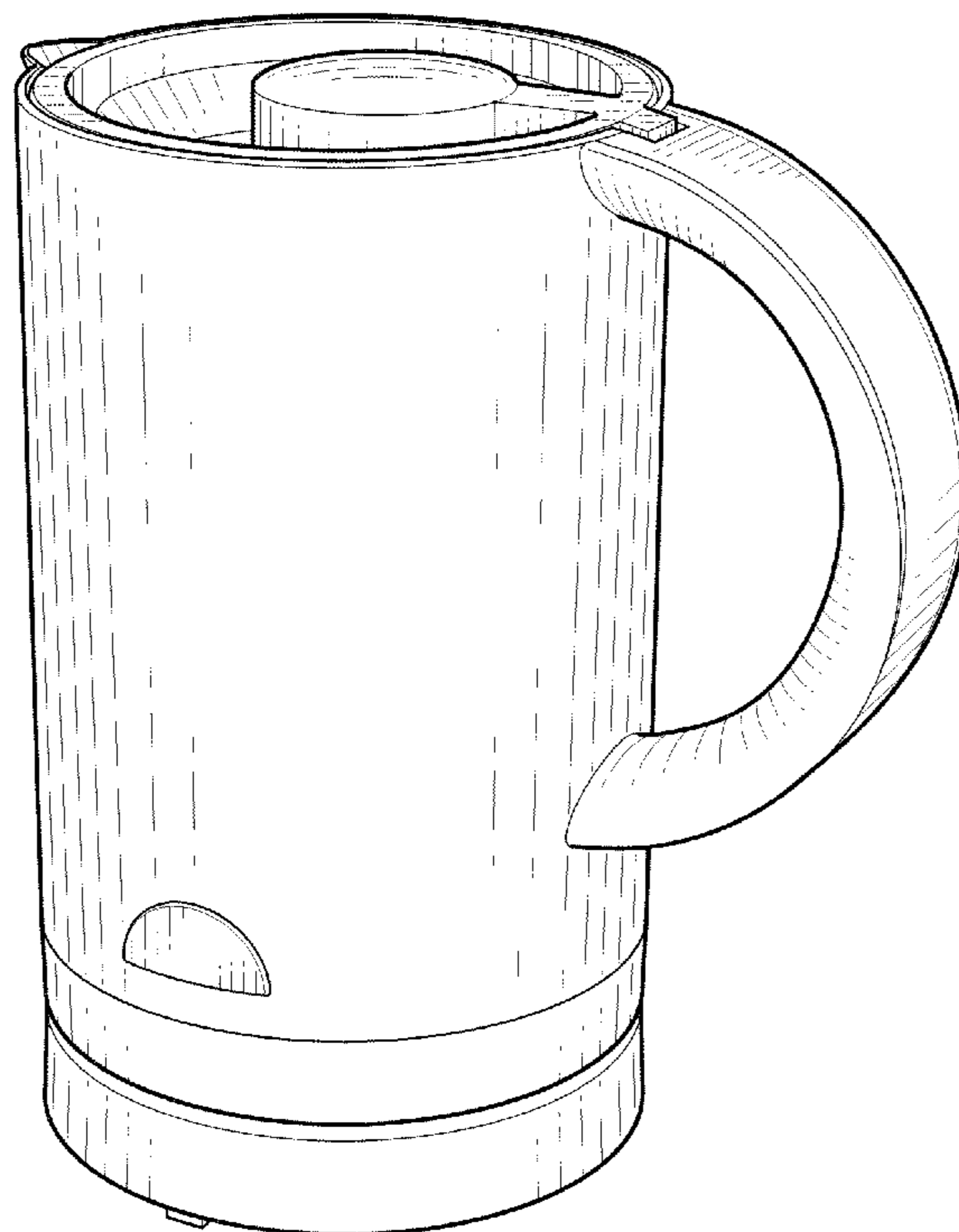
U.S. PATENT DOCUMENTS

D330,305 S *	10/1992	Giugiaro	D7/318
D367,580 S *	3/1996	Joergensen	D7/318
D368,404 S *	4/1996	Zive	D7/318
D437,175 S *	2/2001	Brady	D7/319
D444,204 S *	6/2001	Hilgers et al.	D23/207
D448,235 S *	9/2001	Jørgensen	D7/319
D457,377 S *	5/2002	Jørgensen	D7/319
D464,522 S *	10/2002	O'Connor et al.	D7/319
D498,384 S *	11/2004	McWilliam	D7/319
D500,626 S *	1/2005	Ranzoni	D7/317
D527,940 S *	9/2006	Cohen	D7/318

DESCRIPTION

FIG. 1 is a perspective view of a milk frother showing my new design;
FIG. 2 is a left side elevational view thereof;
FIG. 3 is a right side elevational view thereof;
FIG. 4 is a front elevational view thereof;
FIG. 5 is a rear elevational view thereof;
FIG. 6 is a top plan view thereof; and,
FIG. 7 is a bottom plan view thereof.

1 Claim, 6 Drawing Sheets



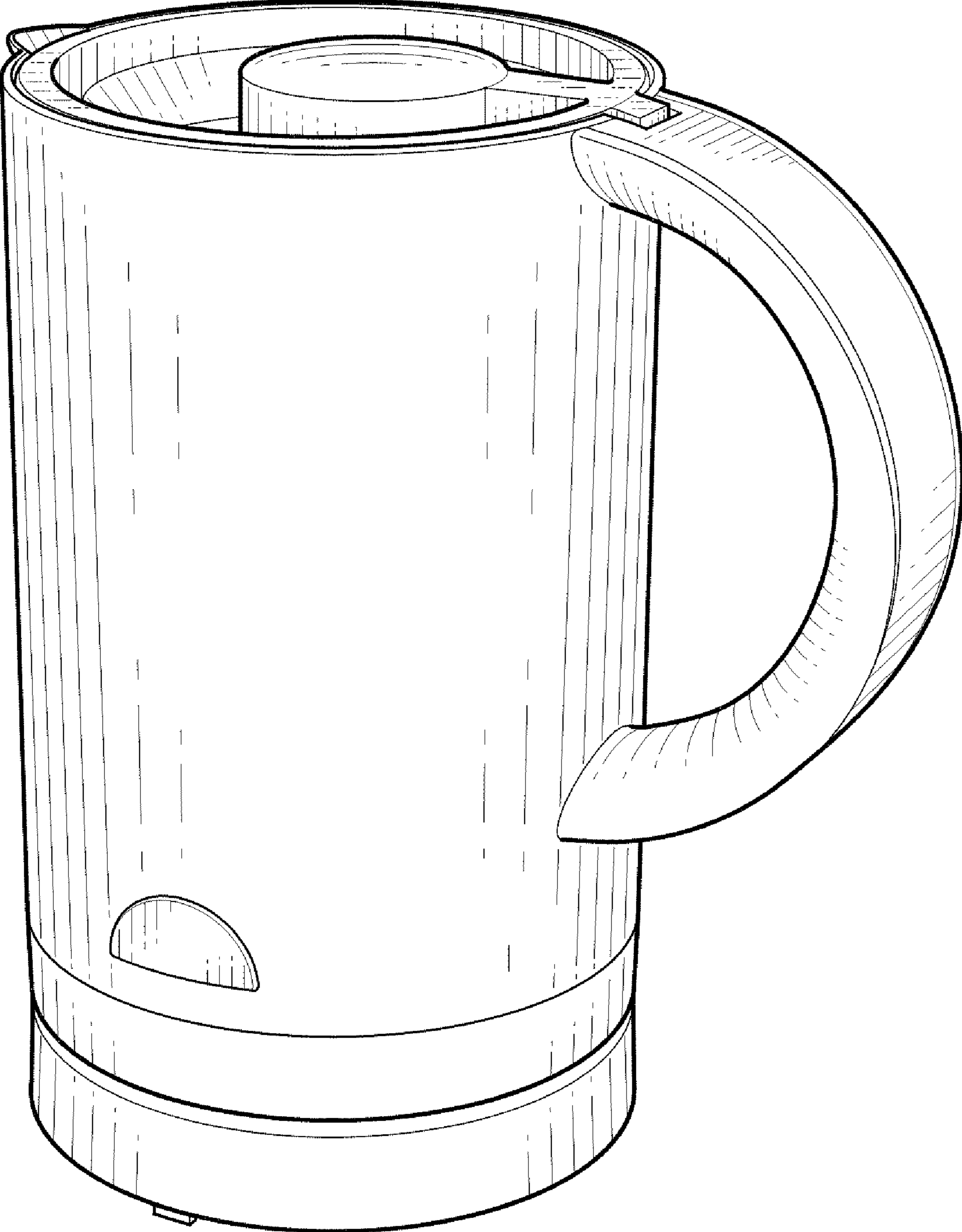


Fig. 1

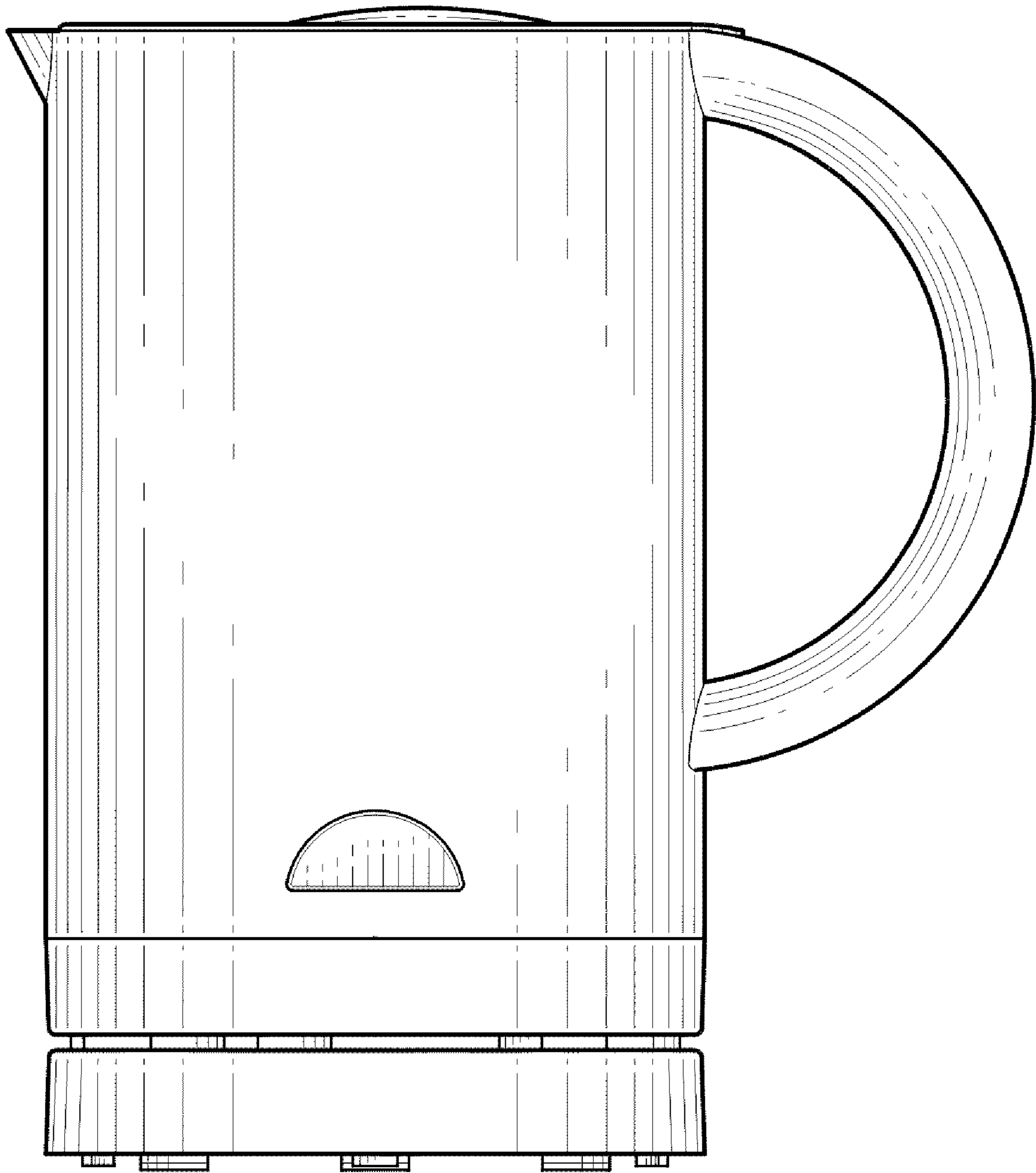


Fig. 2

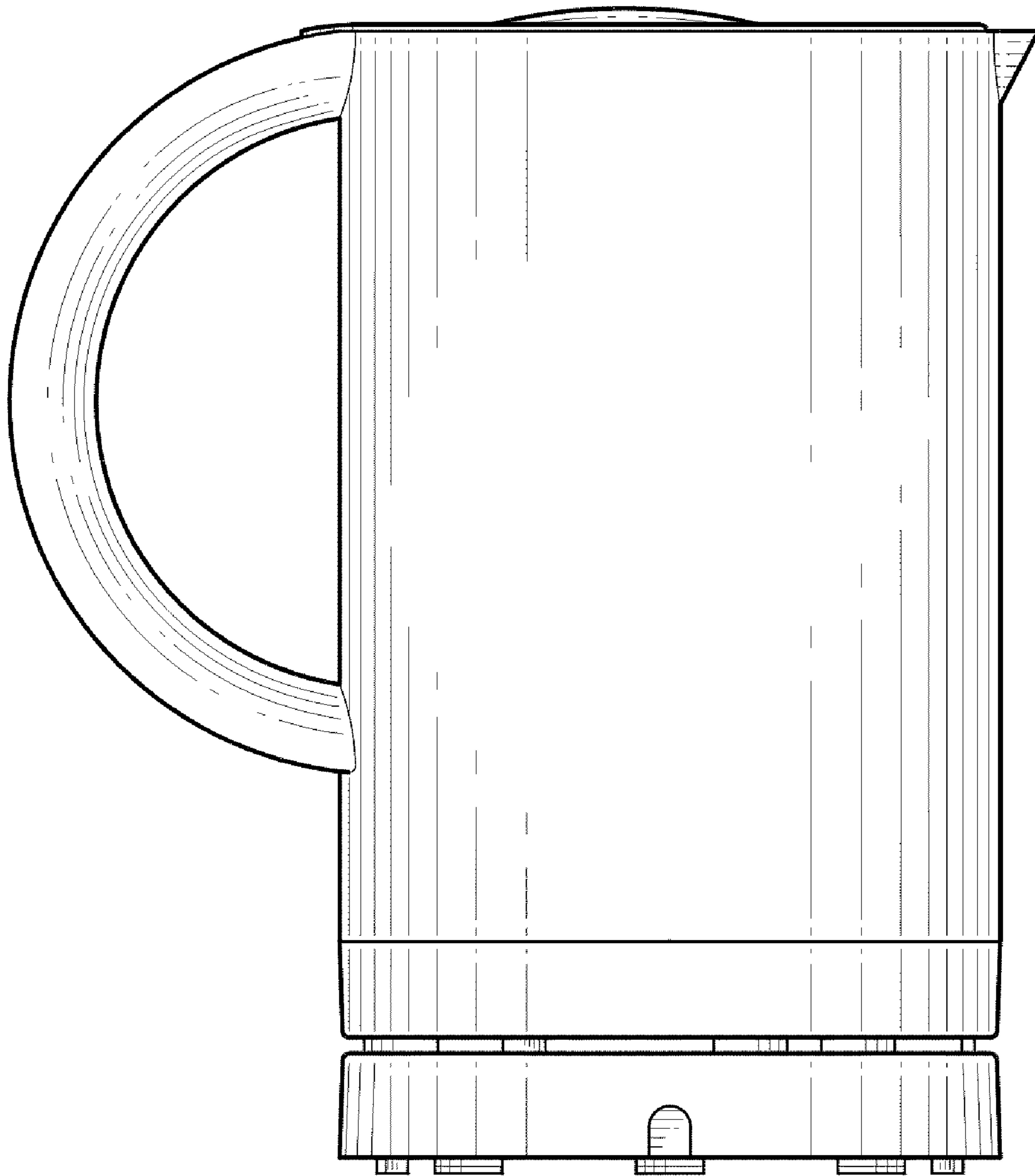


Fig. 3

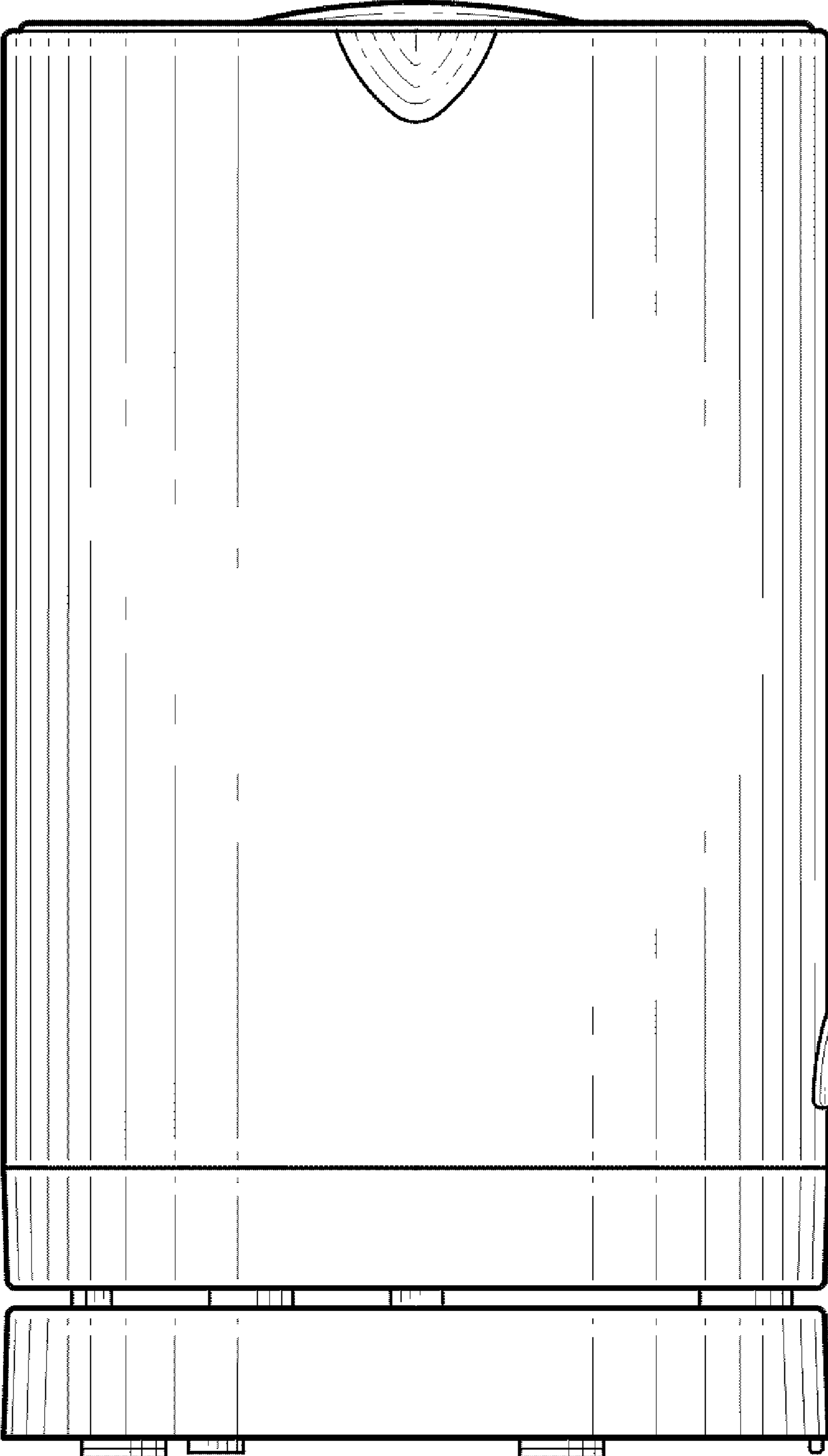


Fig. 4

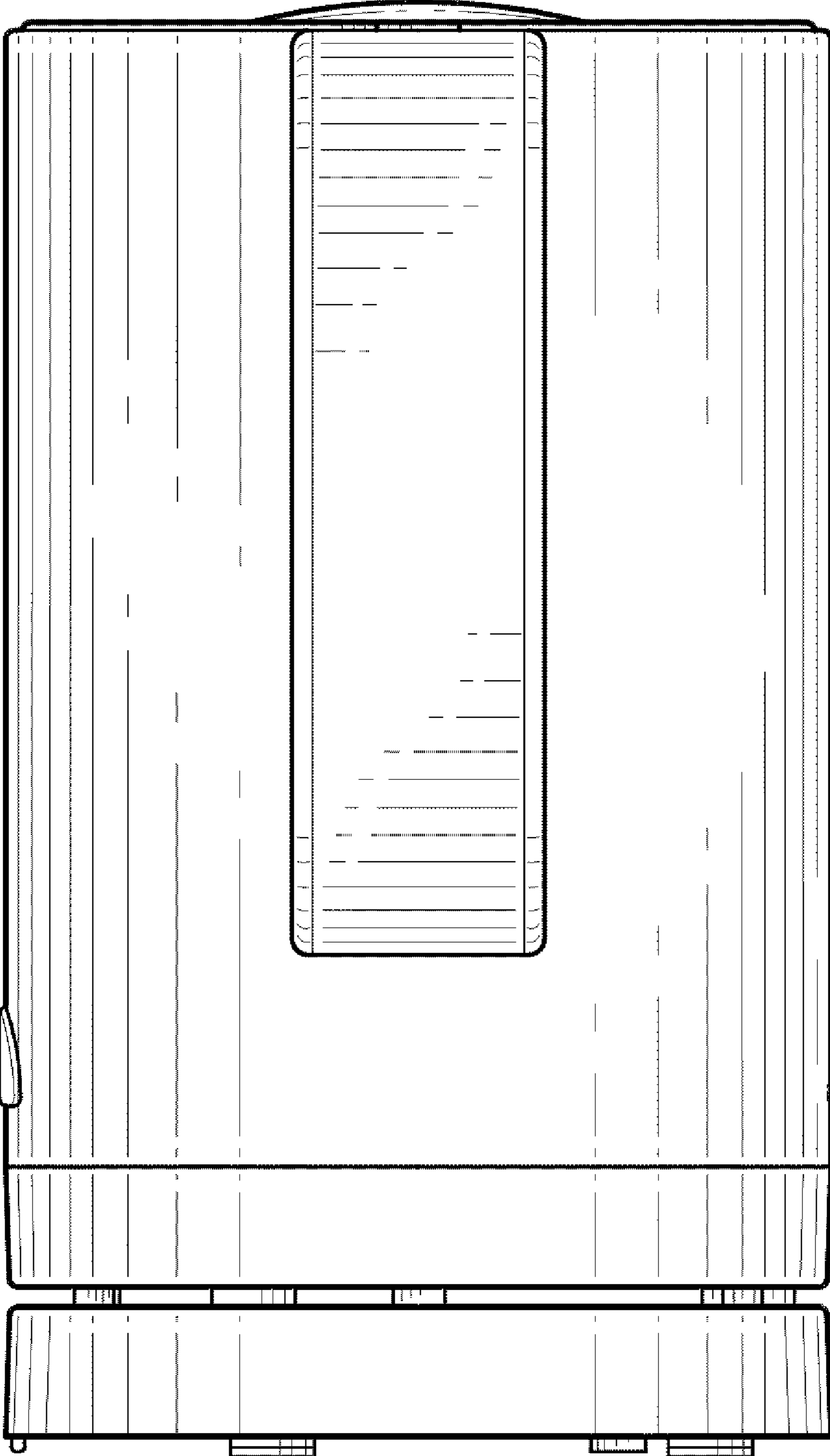


Fig. 5

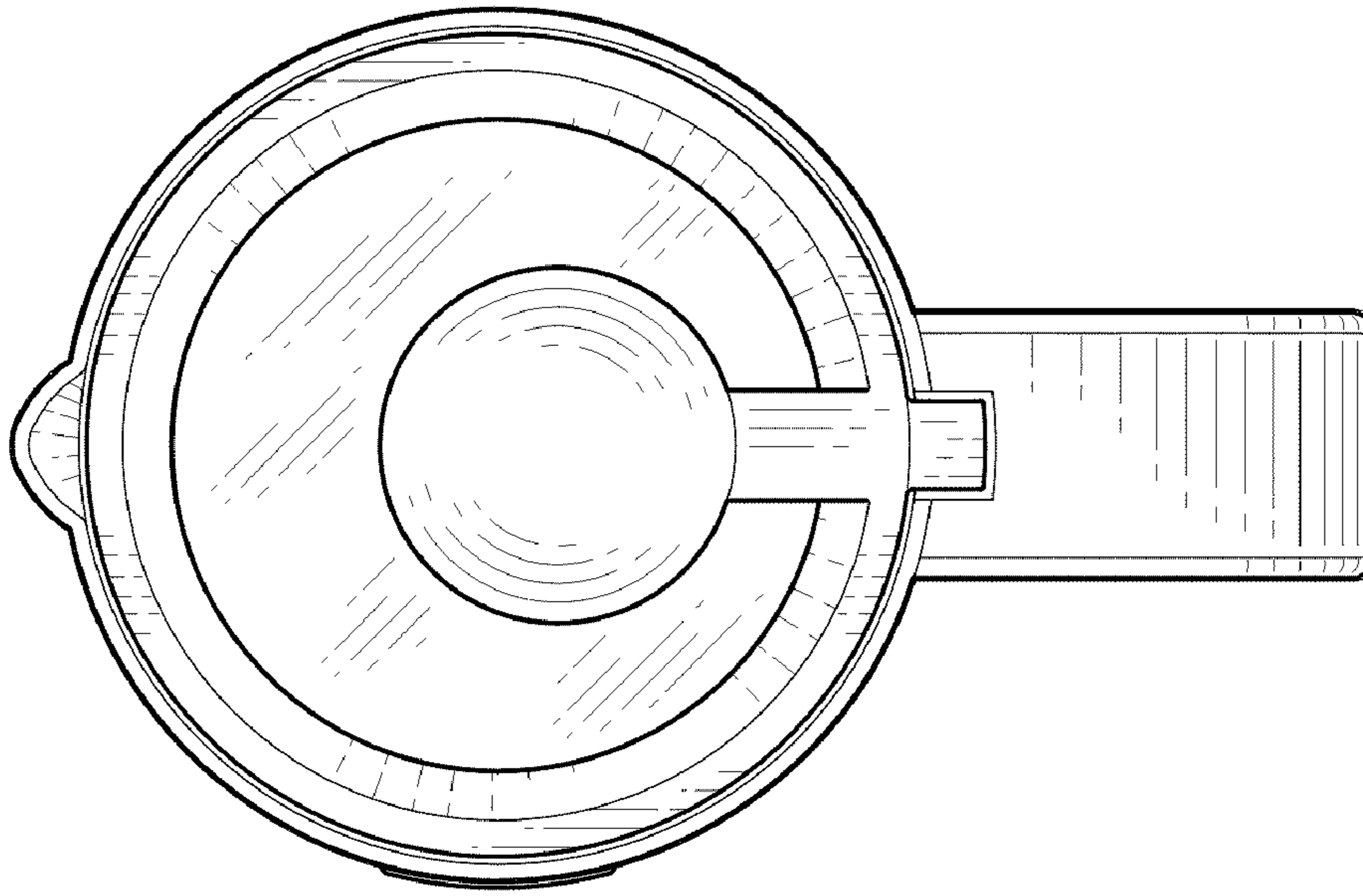


Fig. 6

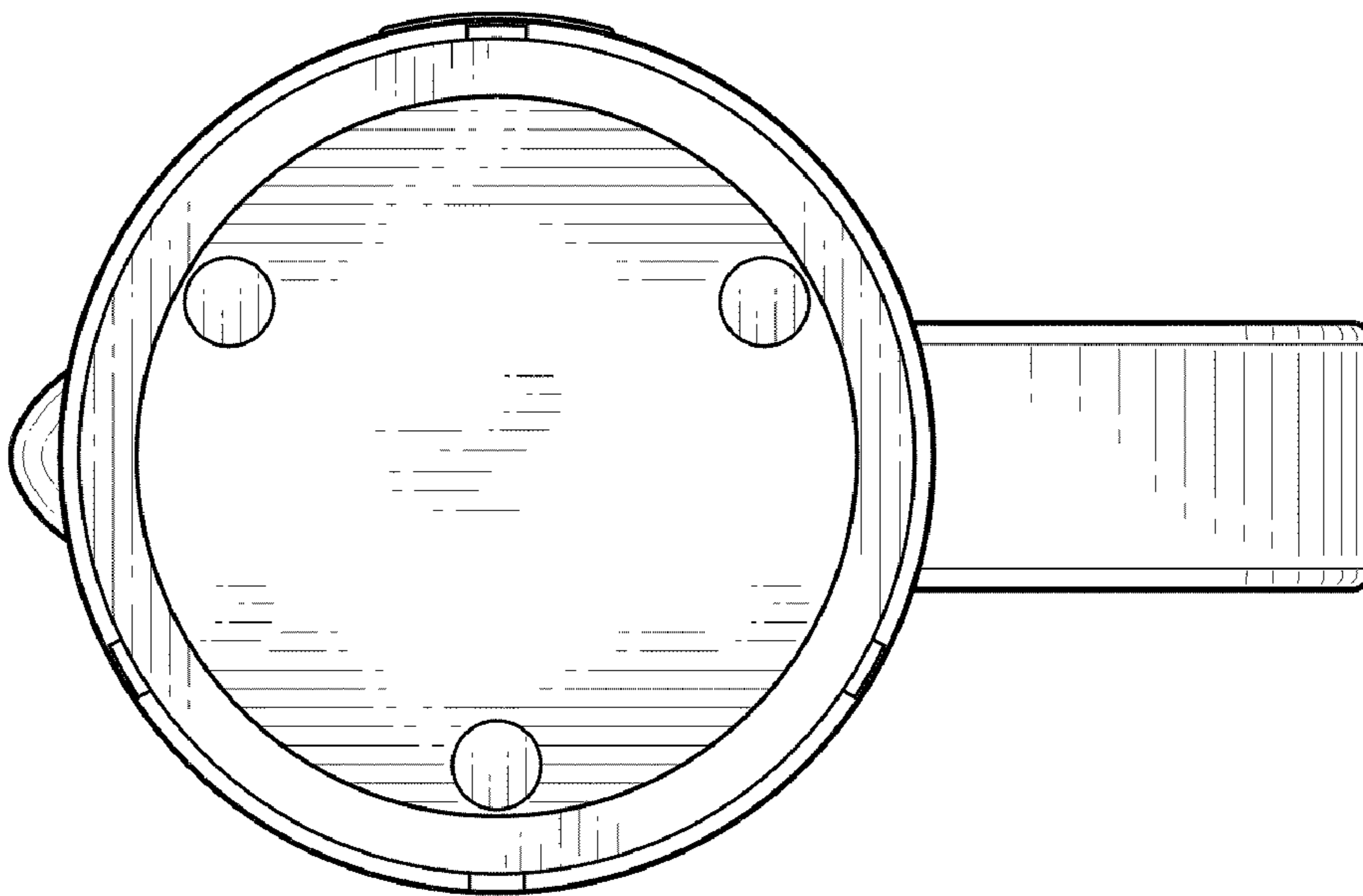


Fig. 7