



US00D646518S

(12) **United States Design Patent**
De' Longhi

(10) **Patent No.:** **US D646,518 S**

(45) **Date of Patent:** **** Oct. 11, 2011**

(54) **COFFEE MAKER**

(75) **Inventor:** **Giuseppe De' Longhi, Treviso (IT)**

(73) **Assignee:** **De' Longhi Appliances SRL Con Unico Socio, Treviso (IT)**

(**) **Term:** **14 Years**

(21) **Appl. No.:** **29/368,659**

(22) **Filed:** **Aug. 26, 2010**

(30) **Foreign Application Priority Data**

Feb. 26, 2010 (EM) 1198246-0002

(51) **LOC (9) Cl.** **07-01**

(52) **U.S. Cl.** **D7/309; D7/311**

(58) **Field of Classification Search** D7/305-311,
D7/300; 99/295, 304, 323, 293

See application file for complete search history.

(56) **References Cited**

U.S. PATENT DOCUMENTS

D396,987 S *	8/1998	Seiffert	D7/309
D400,046 S *	10/1998	Seiffert	D7/309
D431,749 S *	10/2000	Cahen	D7/309
D445,292 S *	7/2001	Sowden	D7/309
D449,198 S *	10/2001	Cahen	D7/309
D449,199 S *	10/2001	Cahen	D7/309
D486,345 S *	2/2004	Schwamkrug	D7/309
D486,346 S *	2/2004	Jonsson	D7/309

D523,279 S *	6/2006	Zemp	D7/309
D526,524 S *	8/2006	Jordana	D7/309
D526,828 S *	8/2006	Jordana	D7/309
D536,917 S *	2/2007	McWilliam	D7/309
D570,636 S *	6/2008	Kulujian et al.	D7/306
D584,096 S *	1/2009	Lutz	D7/307
D586,603 S *	2/2009	Borin	D7/309
D586,604 S *	2/2009	Buttler	D7/309
D587,511 S *	3/2009	Buttler	D7/309
D595,991 S *	7/2009	Zimmerman	D7/307
D601,848 S *	10/2009	Borin	D7/309
D610,389 S *	2/2010	Borin et al.	D7/309
D622,534 S *	8/2010	Zimmermann	D7/307
D623,462 S *	9/2010	Ashbridge	D7/306

* cited by examiner

Primary Examiner — Marianne Pandozzi

(74) *Attorney, Agent, or Firm* — Hamre, Schumann, Mueller & Larson, P.C.

(57) **CLAIM**

The ornamental design for a coffee maker, as shown and described.

DESCRIPTION

FIG. 1 is a front perspective view of a coffee maker showing my new design;

FIG. 2 is a front view thereof;

FIG. 3 is a back view thereof;

FIG. 4 is a left side view thereof;

FIG. 5 is a right side view thereof.

FIG. 6 is a top view thereof; and,

FIG. 7 is a bottom view thereof.

1 Claim, 7 Drawing Sheets

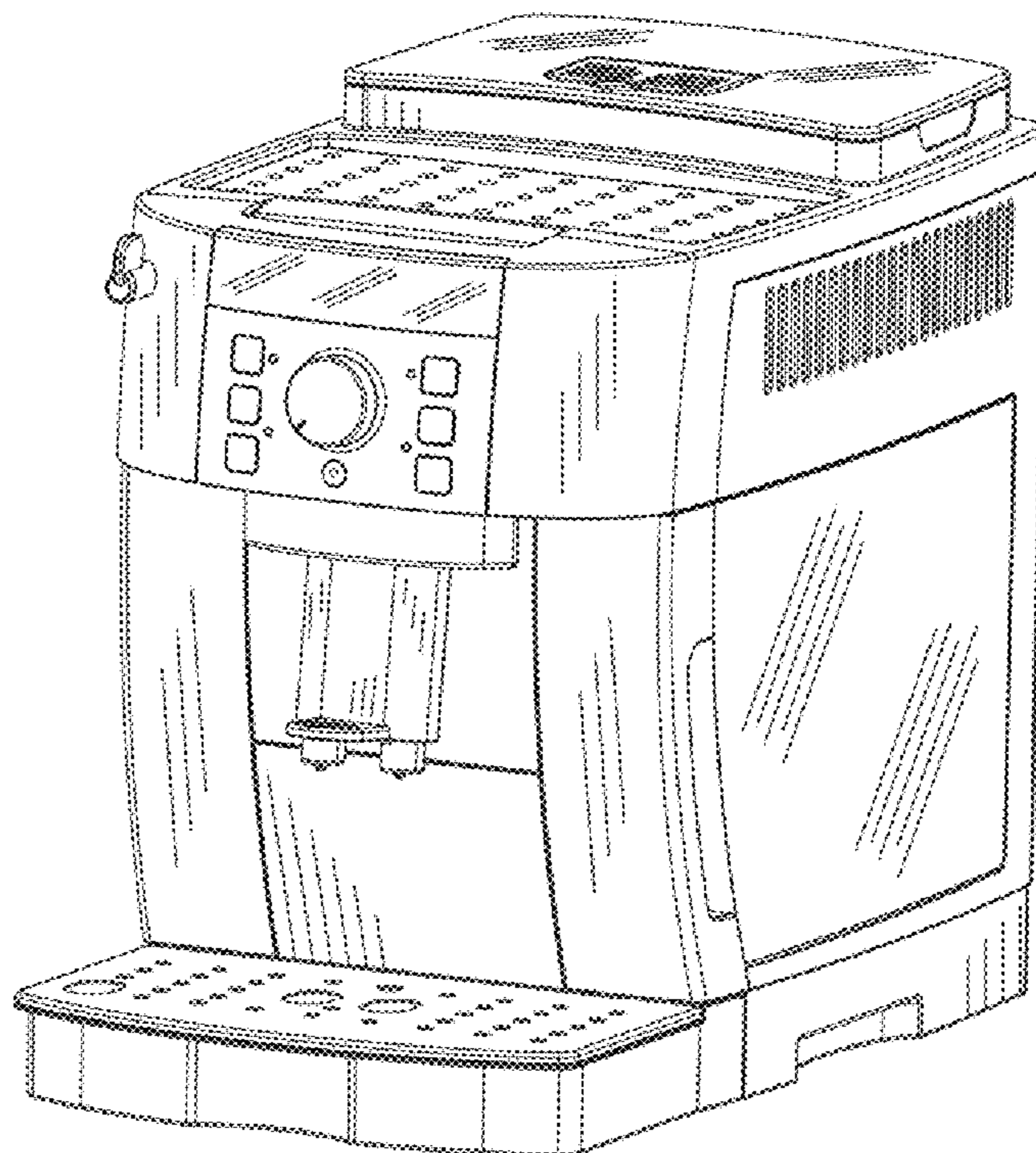


FIGURE 1

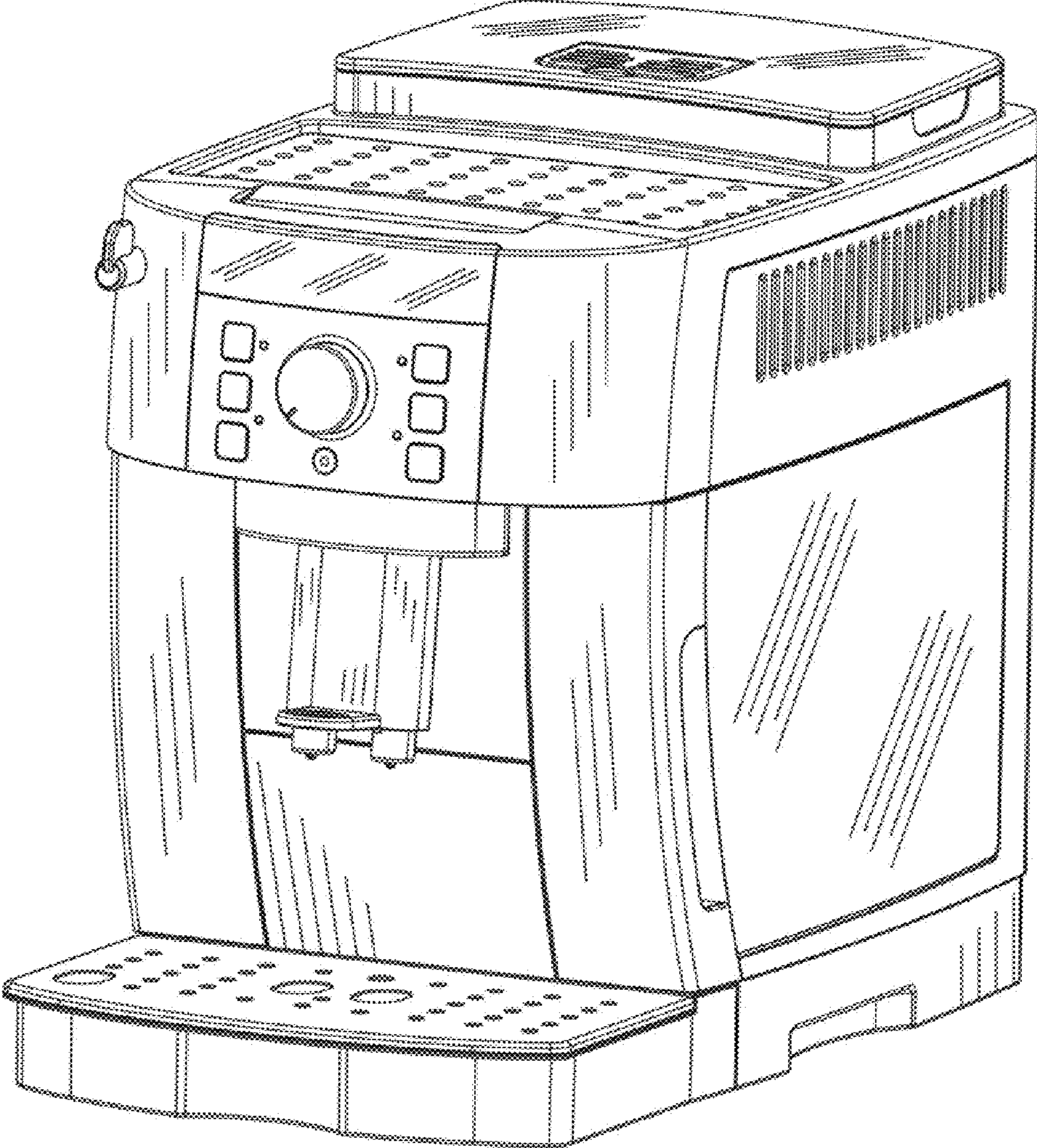


FIGURE 2

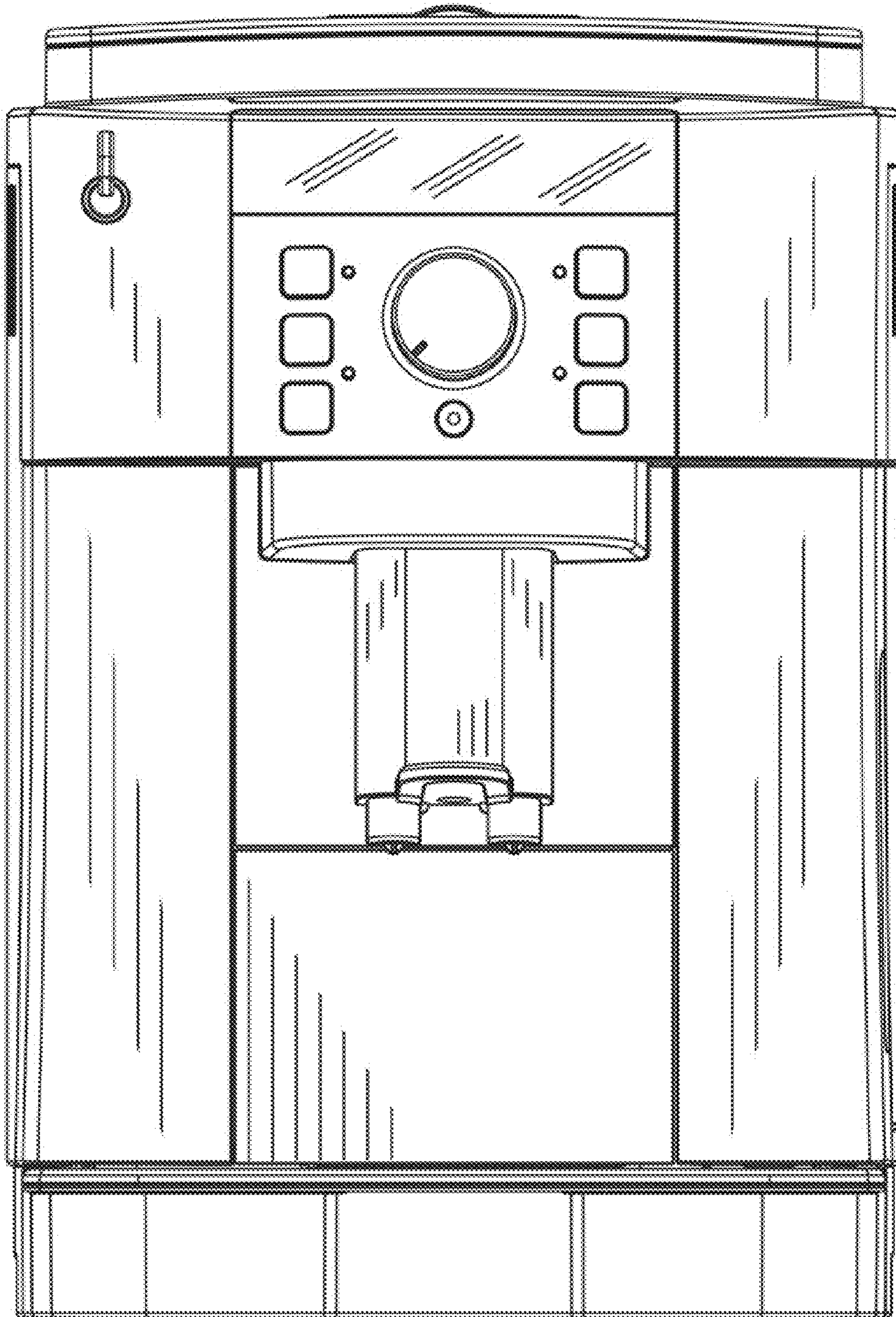


FIGURE 3

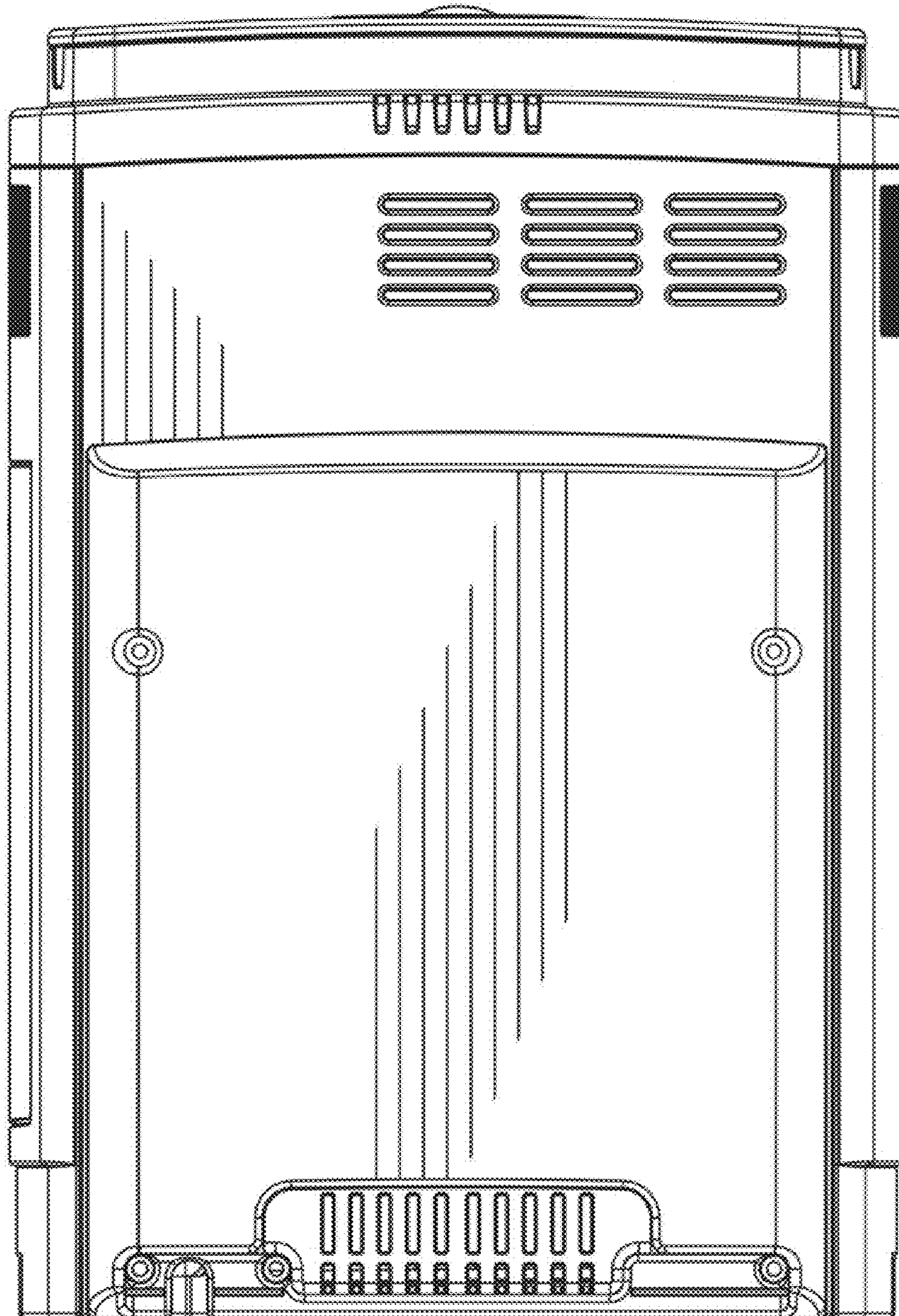


FIGURE 4

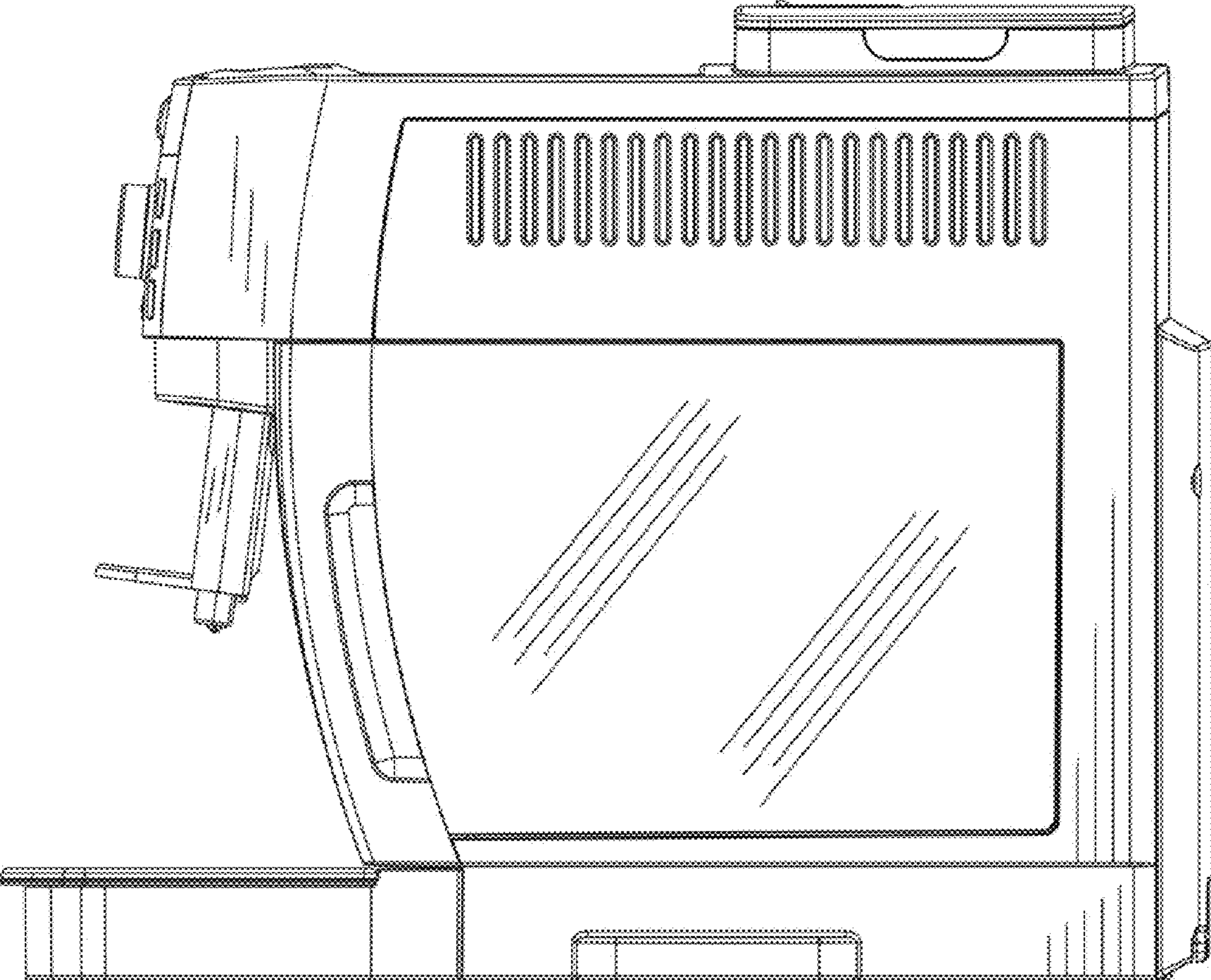


FIGURE 5

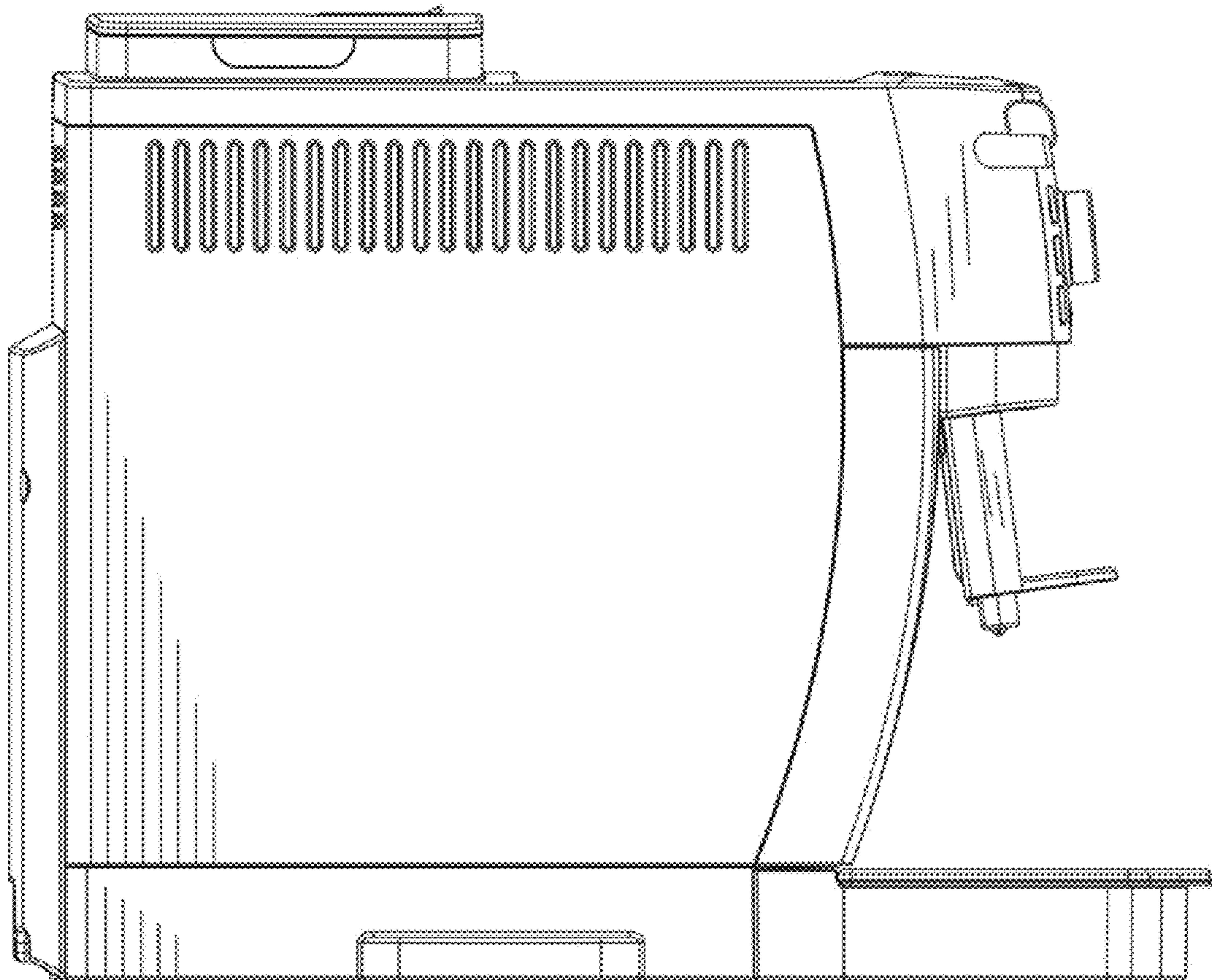


FIGURE 6

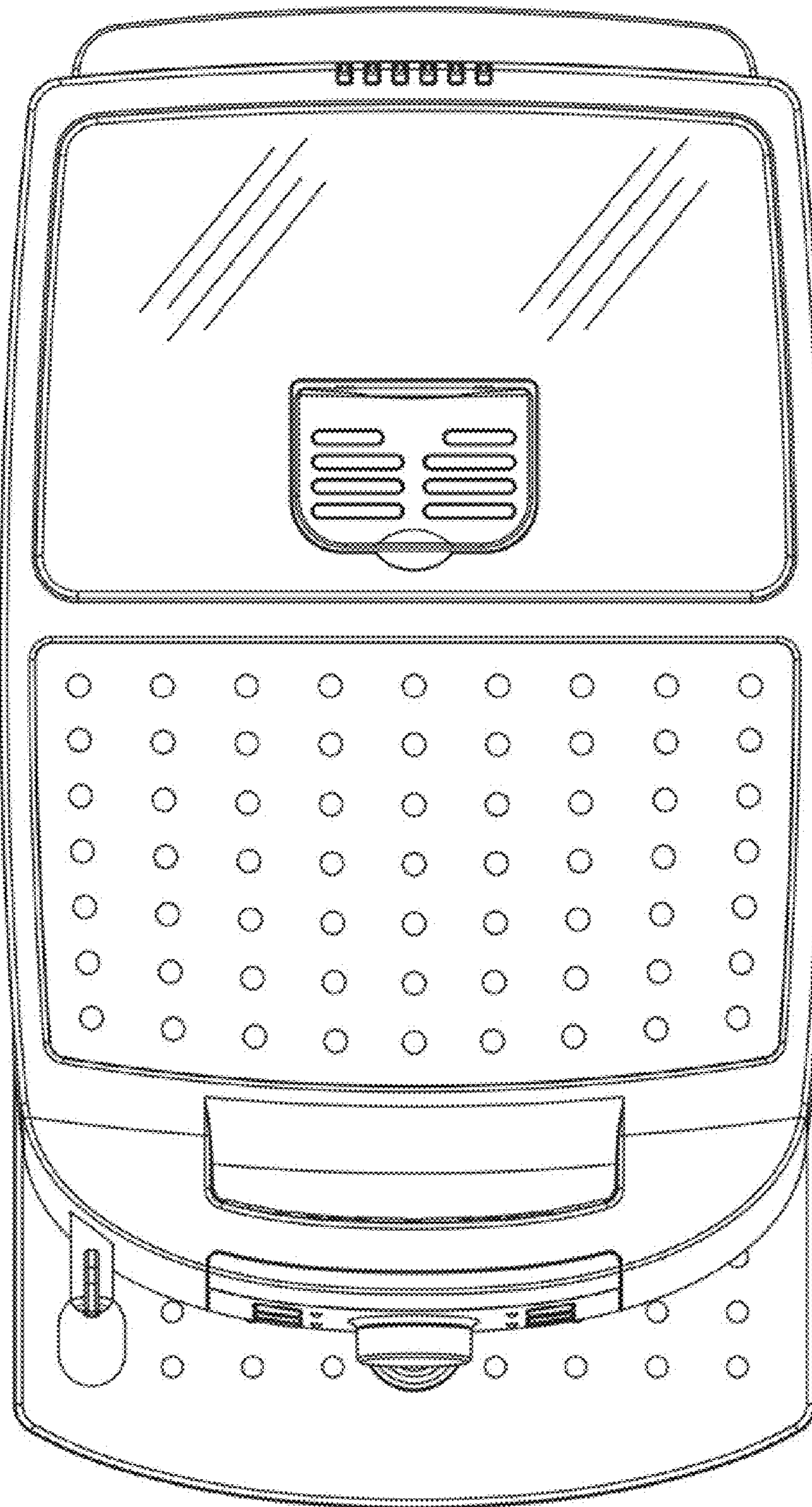


FIGURE 7

