



US00D646511S

(12) **United States Design Patent**
Ballendat

(10) **Patent No.:** **US D646,511 S**

(45) **Date of Patent:** **** Oct. 11, 2011**

(54) **CHAIRS**

(75) Inventor: **Martin Ballendat**, Simbach (DE)

(73) Assignee: **moll Funktionsmöbel GmbH**,
Gruibingen (DE)

(**) Term: **14 Years**

(21) Appl. No.: **29/381,977**

(22) Filed: **Dec. 27, 2010**

(30) **Foreign Application Priority Data**

Jun. 24, 2010 (WO) 553576001

(51) **LOC (9) Cl.** **06-01**

(52) **U.S. Cl.** **D6/500**

(58) **Field of Classification Search** D6/334-336,
D6/364, 365, 366, 367, 374, 476, 379, 380,
D6/500-502; 297/284.4, 300.2, 452.18,
297/452.21, 452.29, 452.3, 452.31

See application file for complete search history.

(56) **References Cited**

U.S. PATENT DOCUMENTS

D394,961 S *	6/1998	Fancelli	D6/366
D445,613 S *	7/2001	Ginat	D6/500
D451,723 S *	12/2001	Grove	D6/500
D496,812 S *	10/2004	Chu	D6/500
D548,993 S *	8/2007	Fancelli	D6/366
D571,569 S *	6/2008	Fancelli	D6/366

* cited by examiner

Primary Examiner — Mimosa De

(74) *Attorney, Agent, or Firm* — Browdy and Neimark,
PLLC

(57) **CLAIM**

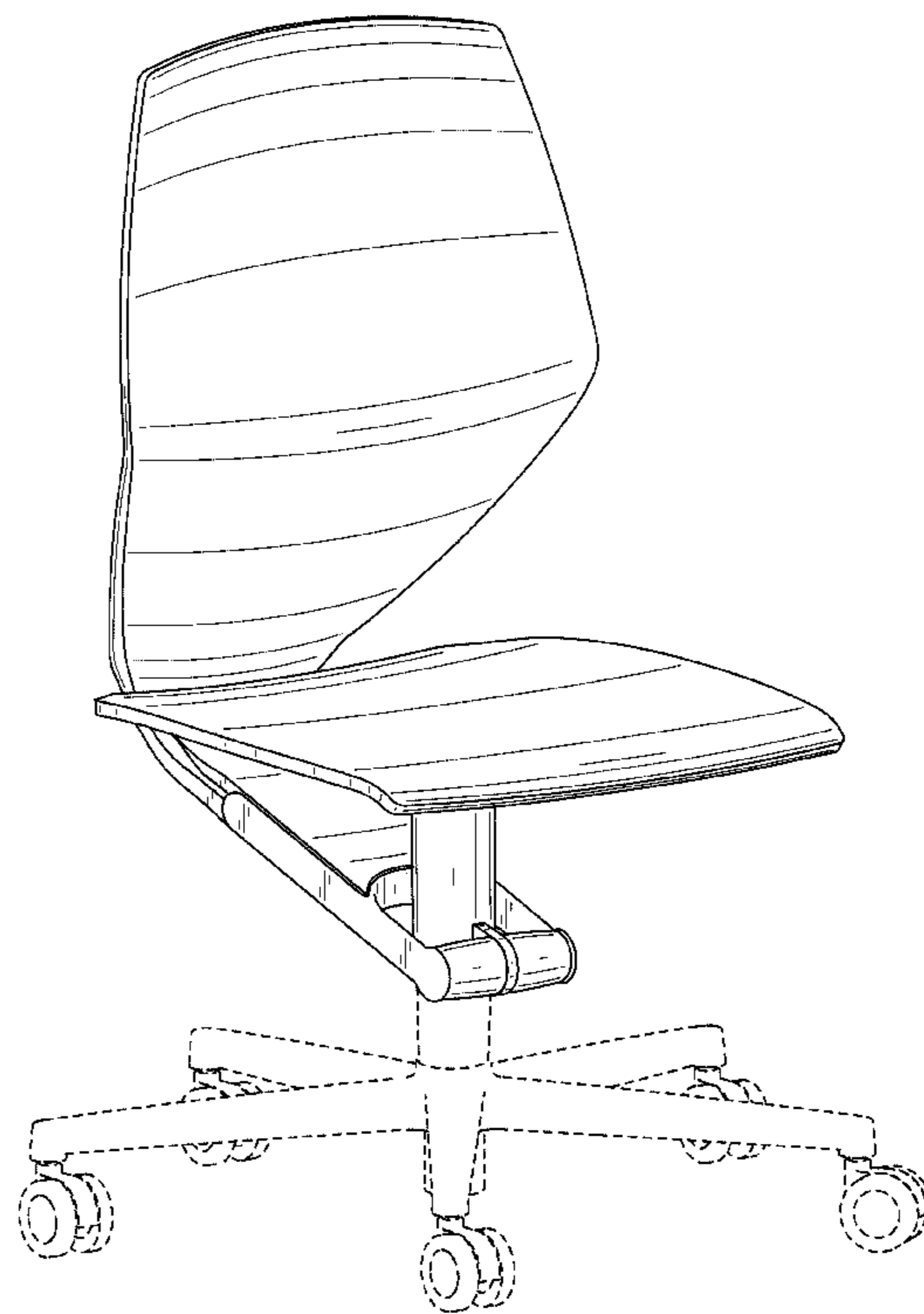
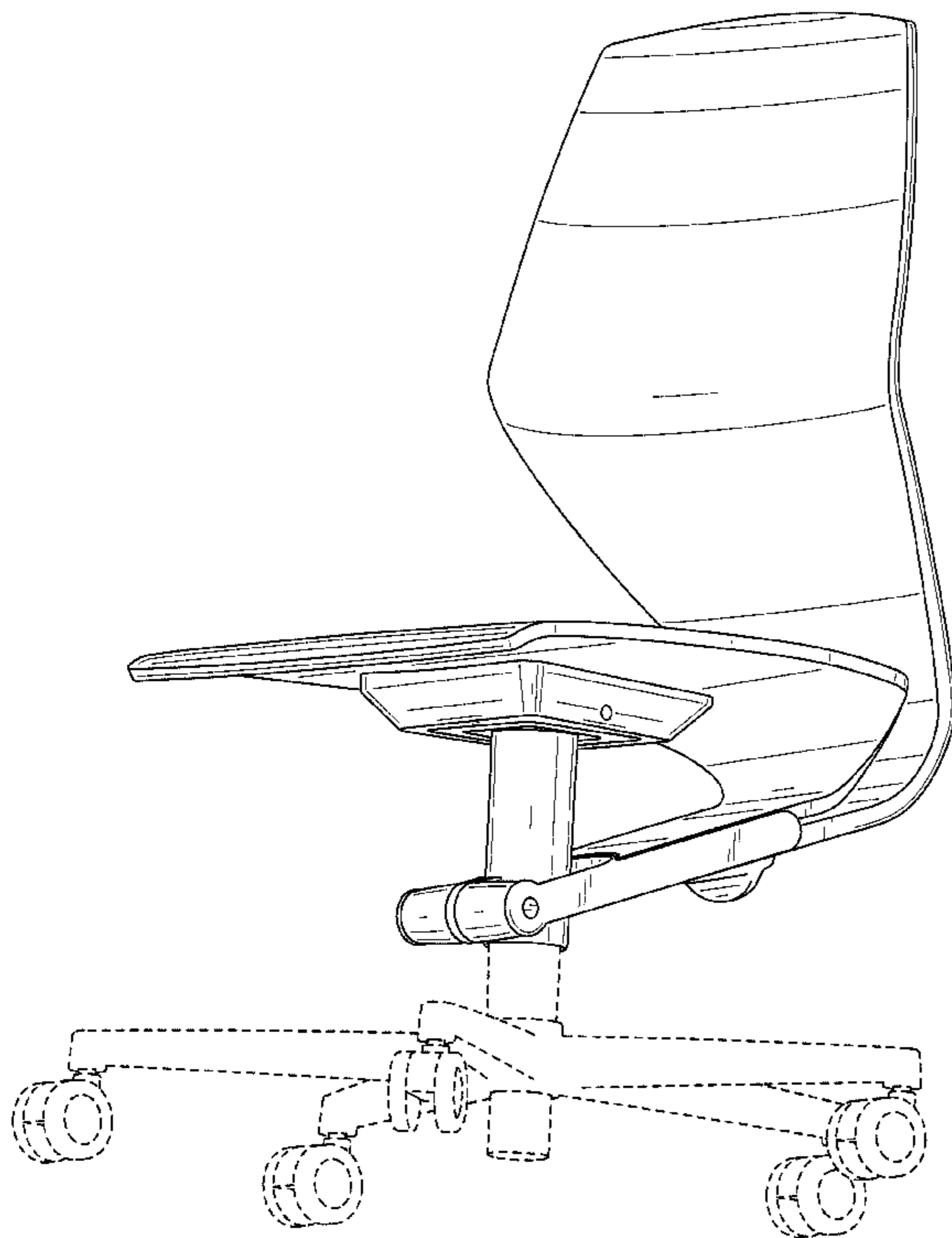
The ornamental design for chairs, as shown and described.

DESCRIPTION

FIG. 1 is a perspective view, from the front, of a first embodiment of a chair, showing my new design;
 FIG. 2 is a rear elevational view thereof;
 FIG. 3 is a front elevational view thereof;
 FIG. 4 is a left side elevational view thereof;
 FIG. 5 is a right side elevational view thereof;
 FIG. 6 is a bottom plan view thereof;
 FIG. 7 is a top plan view thereof;
 FIG. 8 is a perspective view thereof, from the rear;
 FIG. 9 is a perspective view thereof, from the front and below;
 FIG. 10 is a perspective view, from the front, of a second embodiment of a chair, showing my new design;
 FIG. 11 is a rear elevational view thereof;
 FIG. 12 is a front elevational view thereof;
 FIG. 13 is a left side elevational view thereof;
 FIG. 14 is a right side elevational view thereof;
 FIG. 15 is a bottom plan view thereof;
 FIG. 16 is a top plan view thereof; and,
 FIG. 17 is a perspective view thereof, from the rear.

The base portions are shown in broken lines because they form no part of the claimed design.

1 Claim, 17 Drawing Sheets



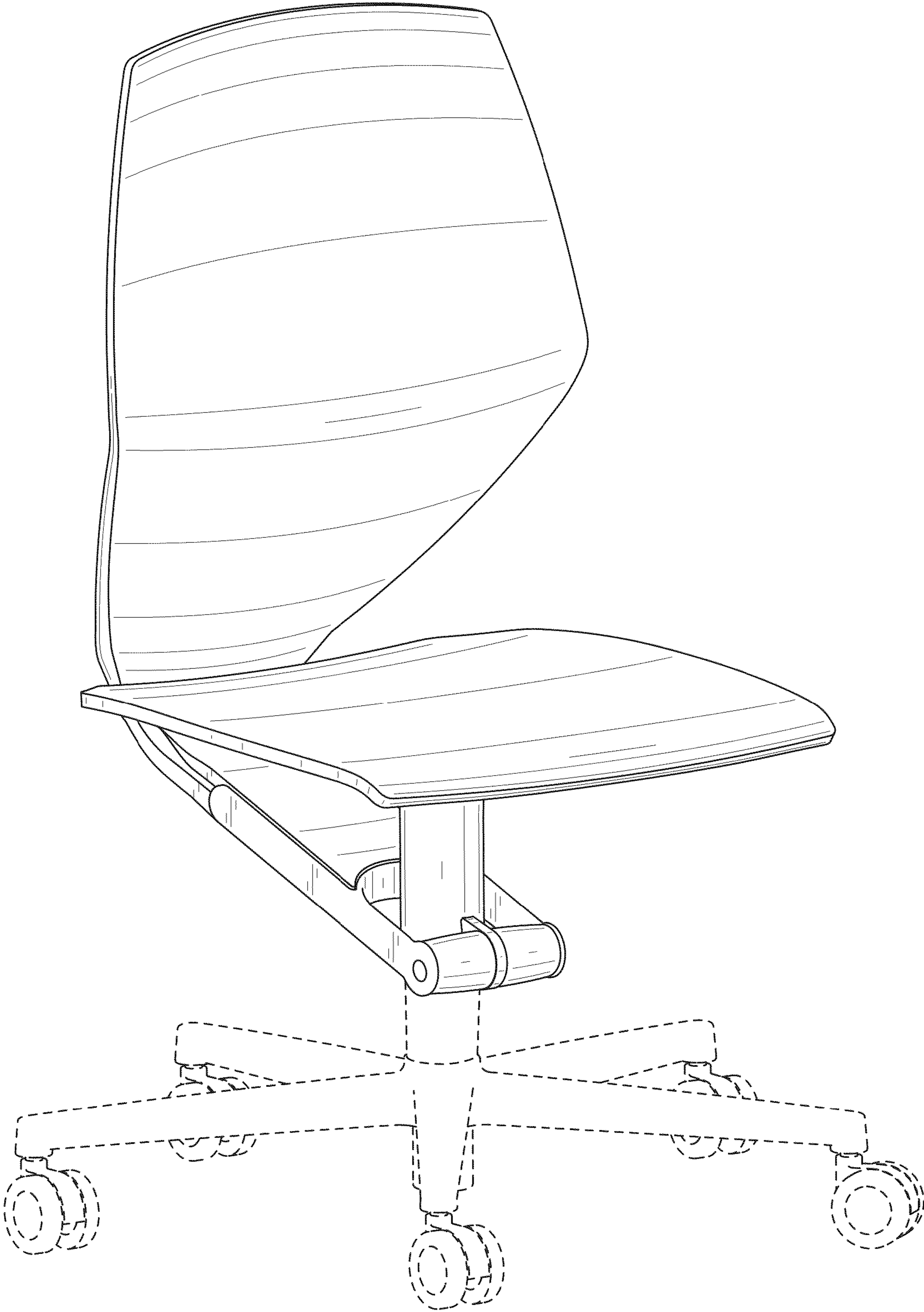


FIG. 1

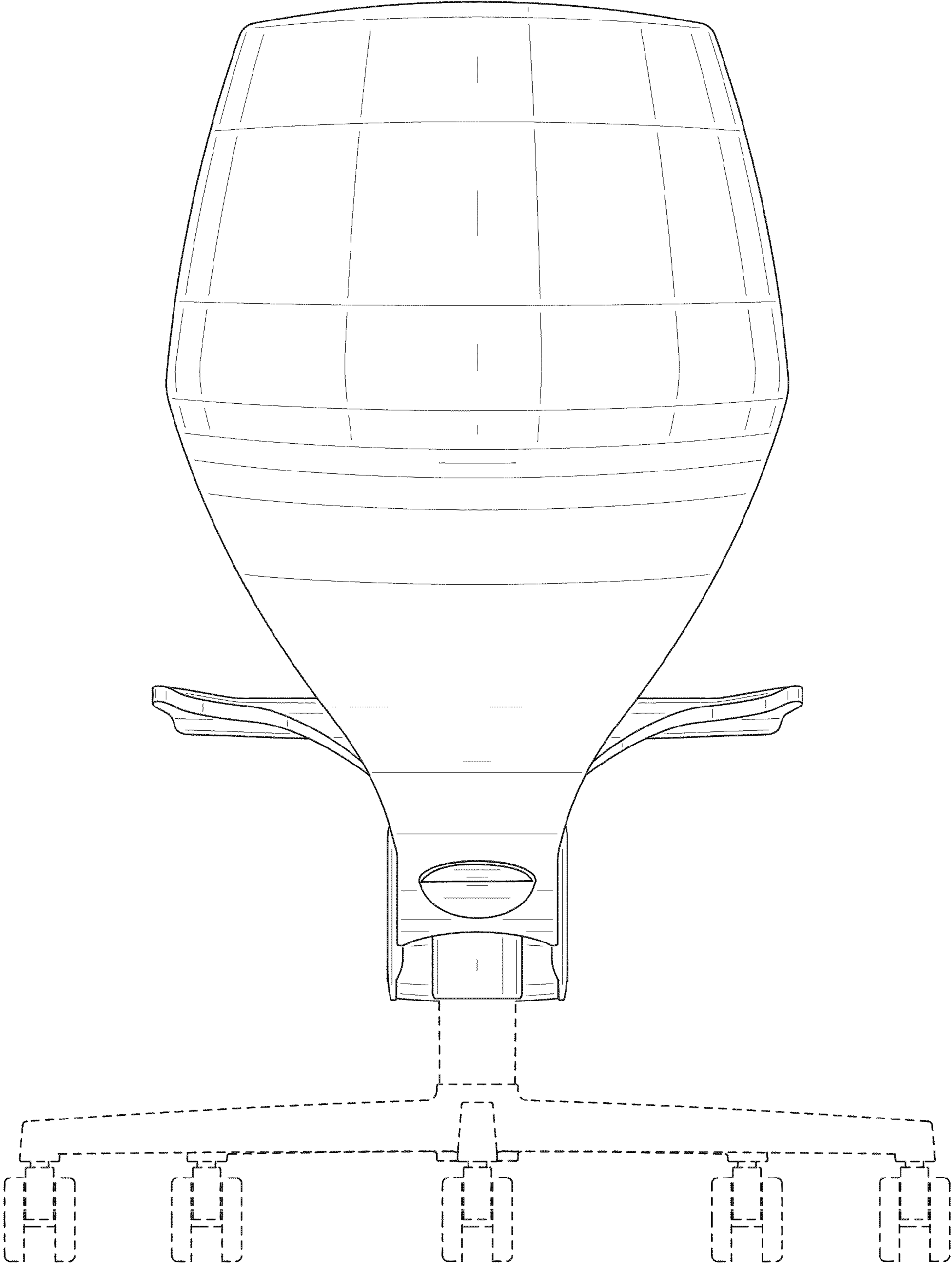


FIG. 2

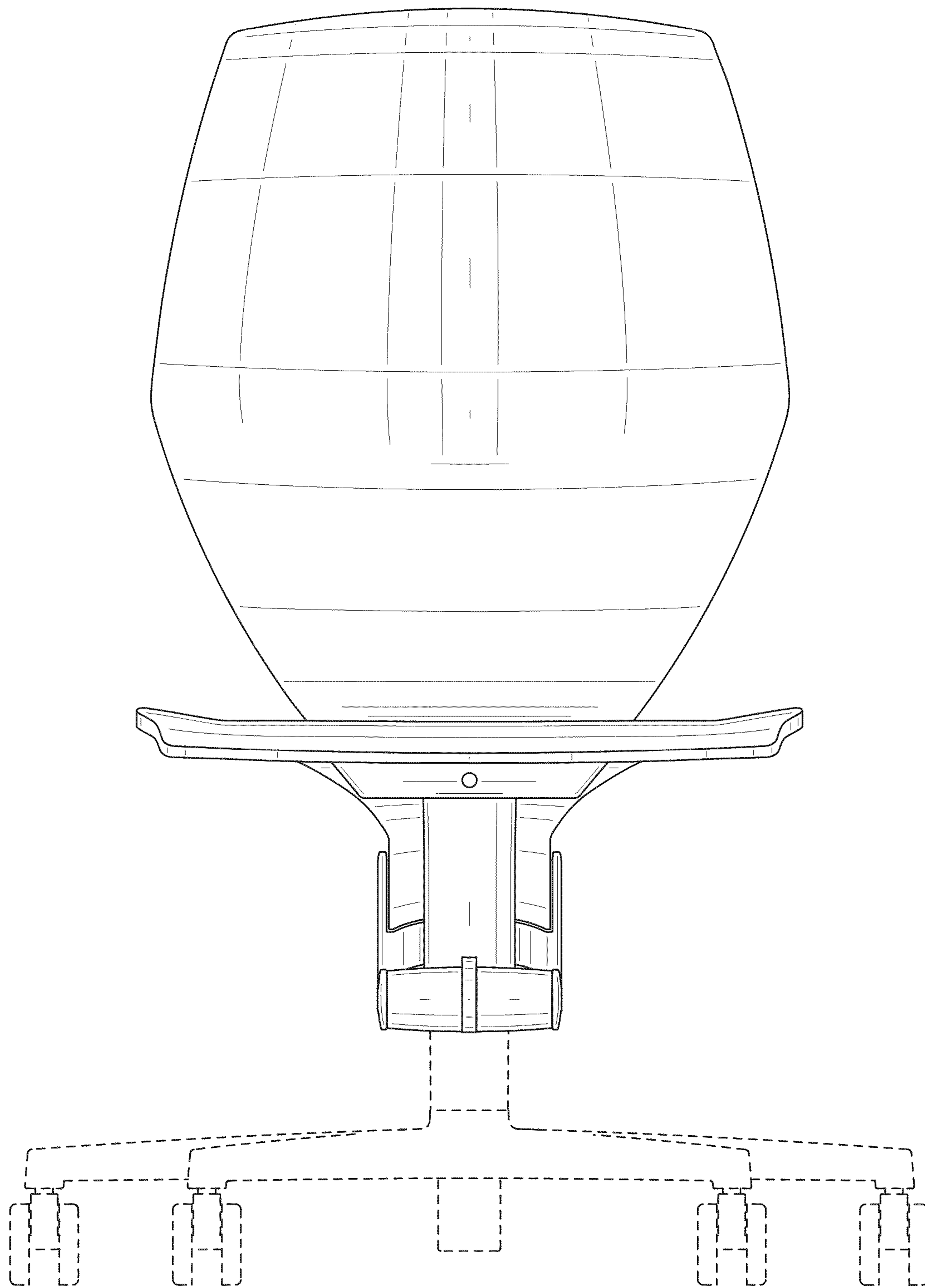


FIG. 3

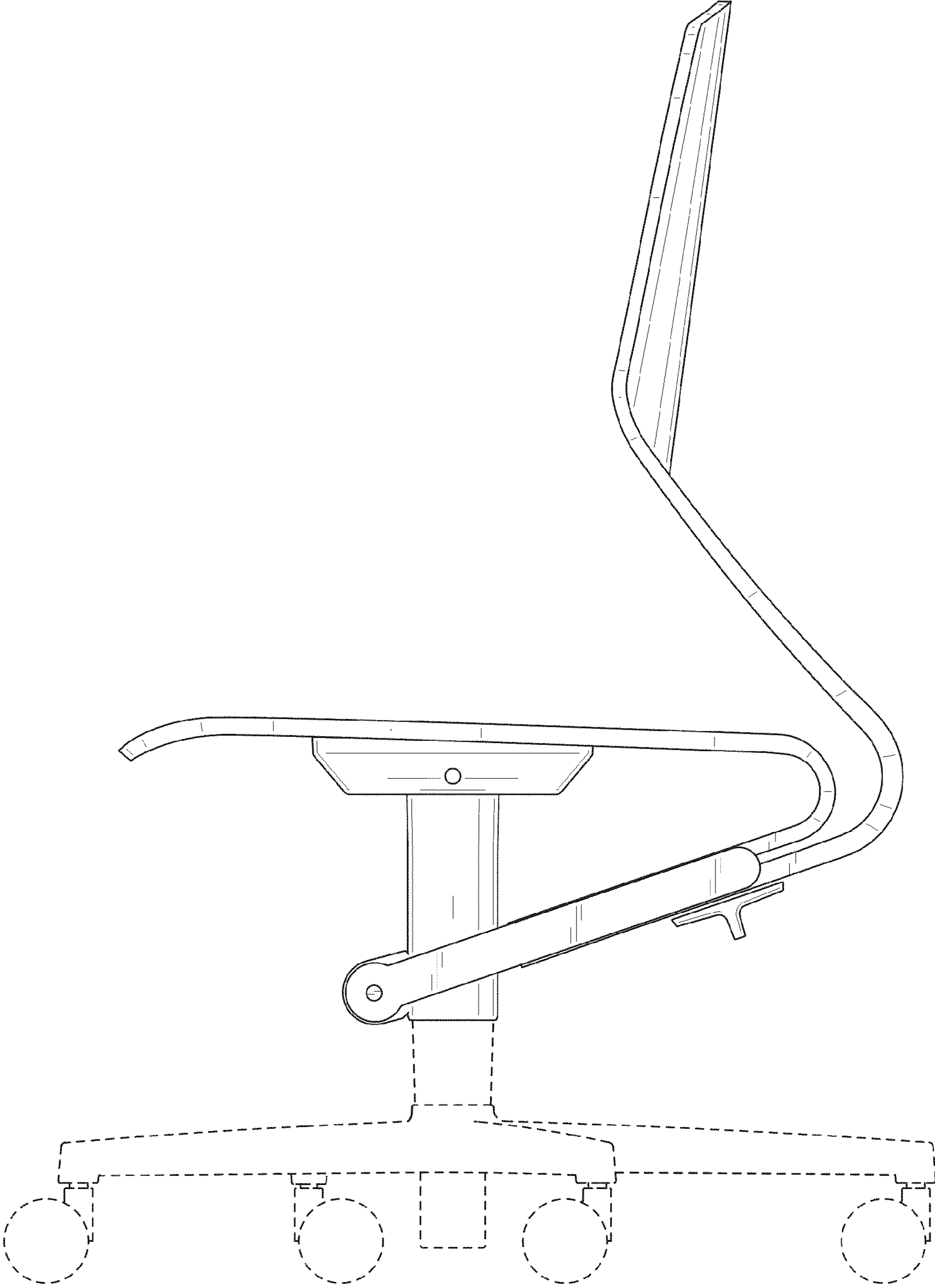


FIG. 4

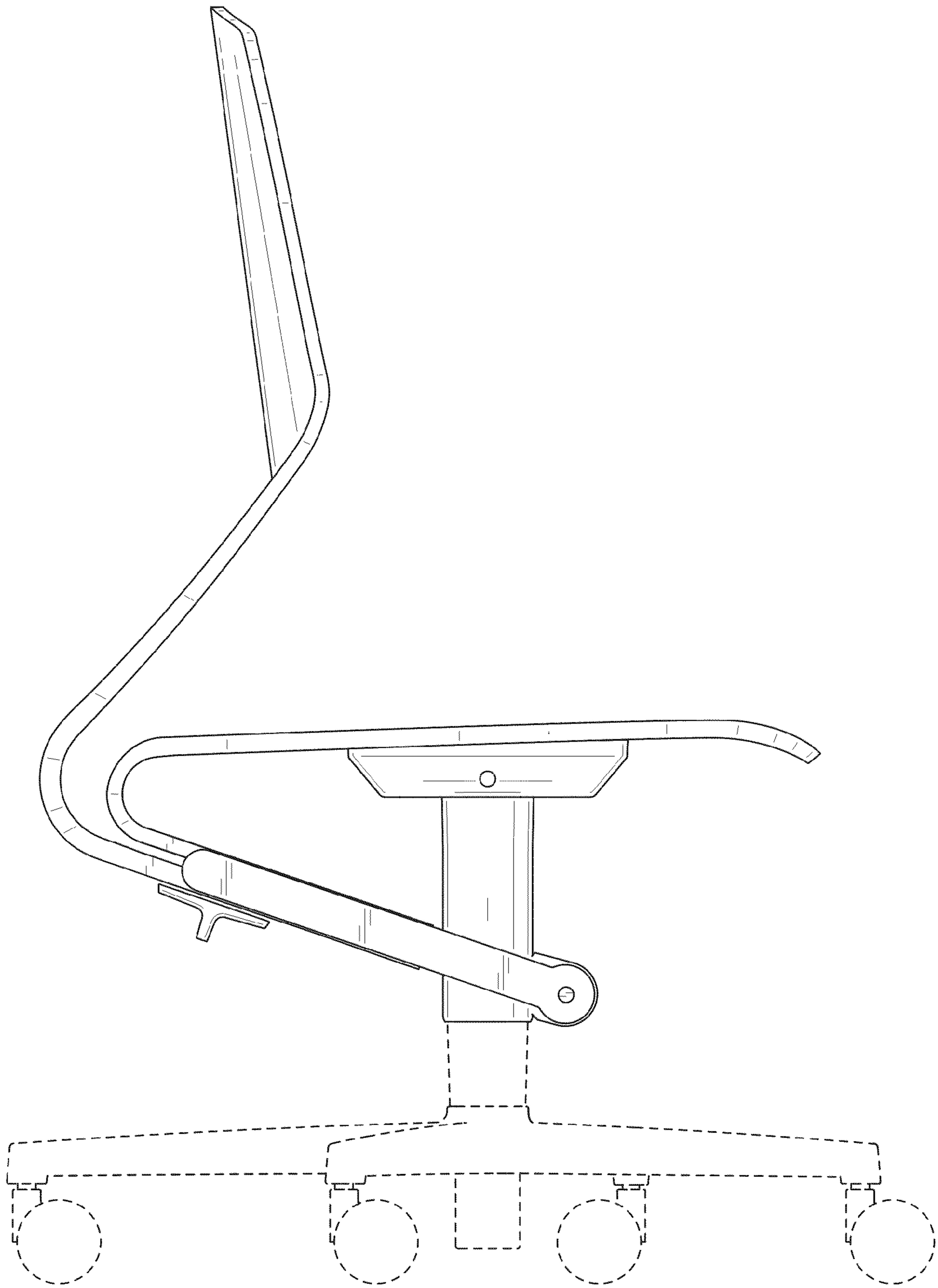


FIG. 5

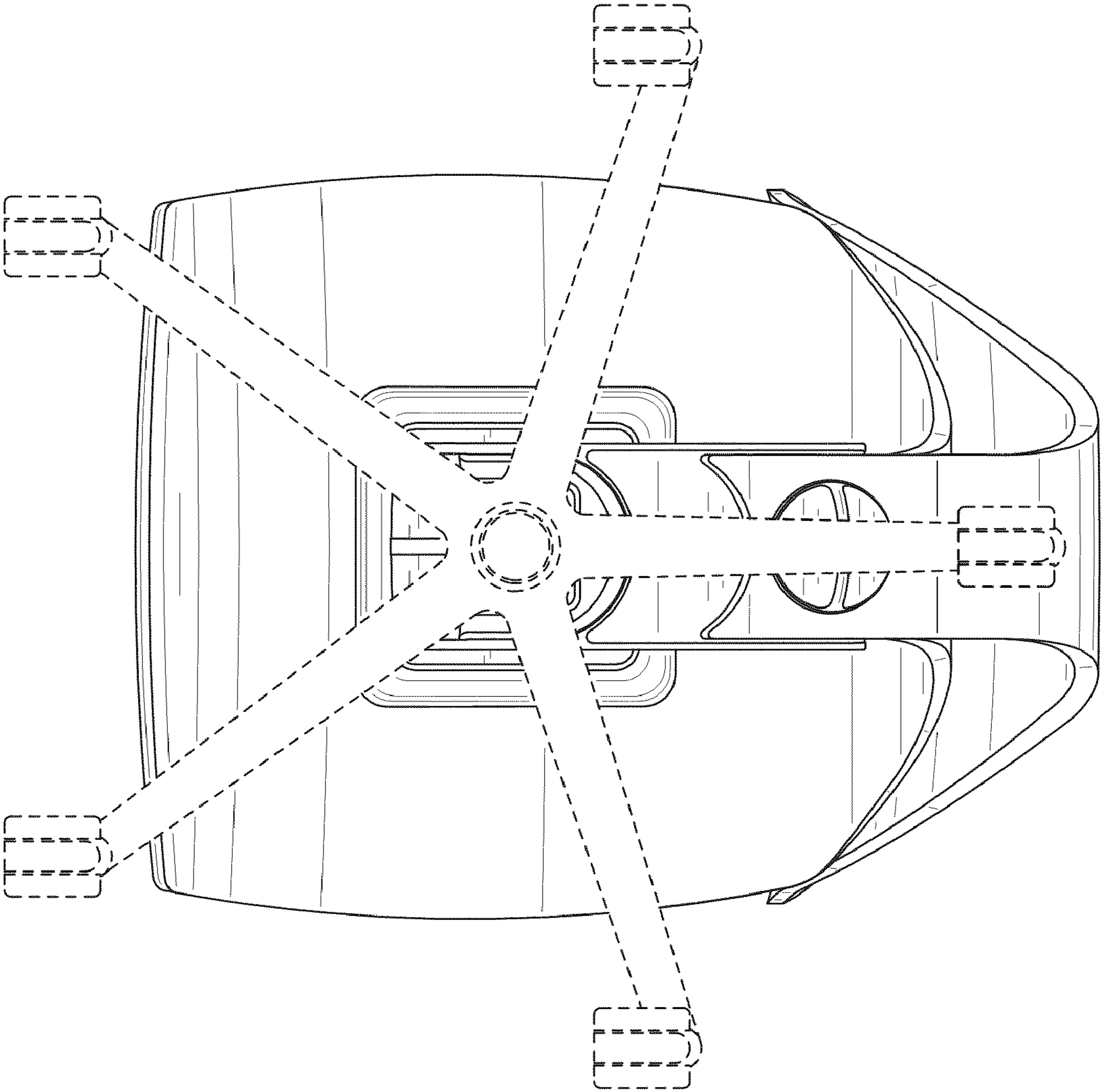


FIG. 6

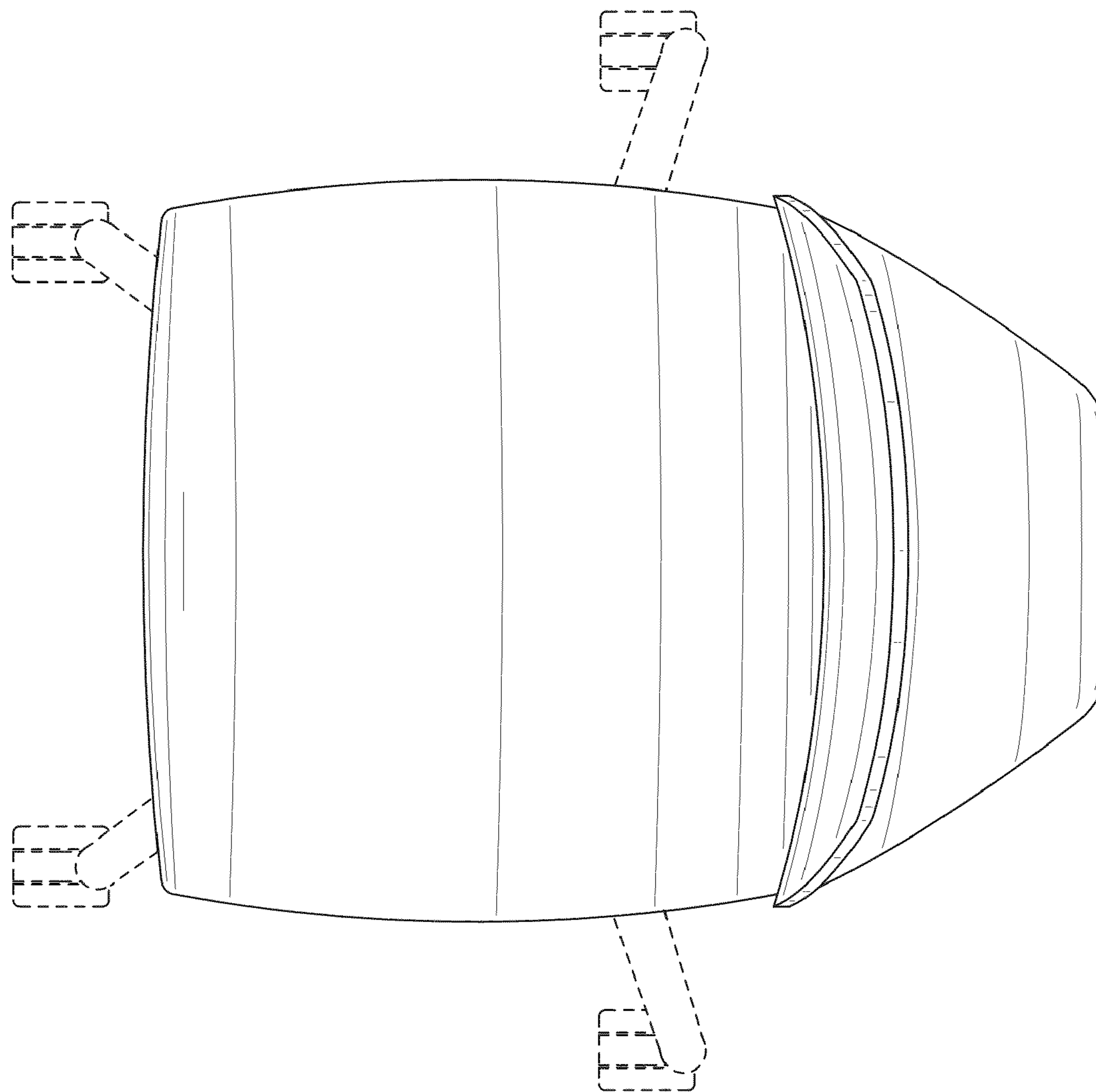


FIG. 7

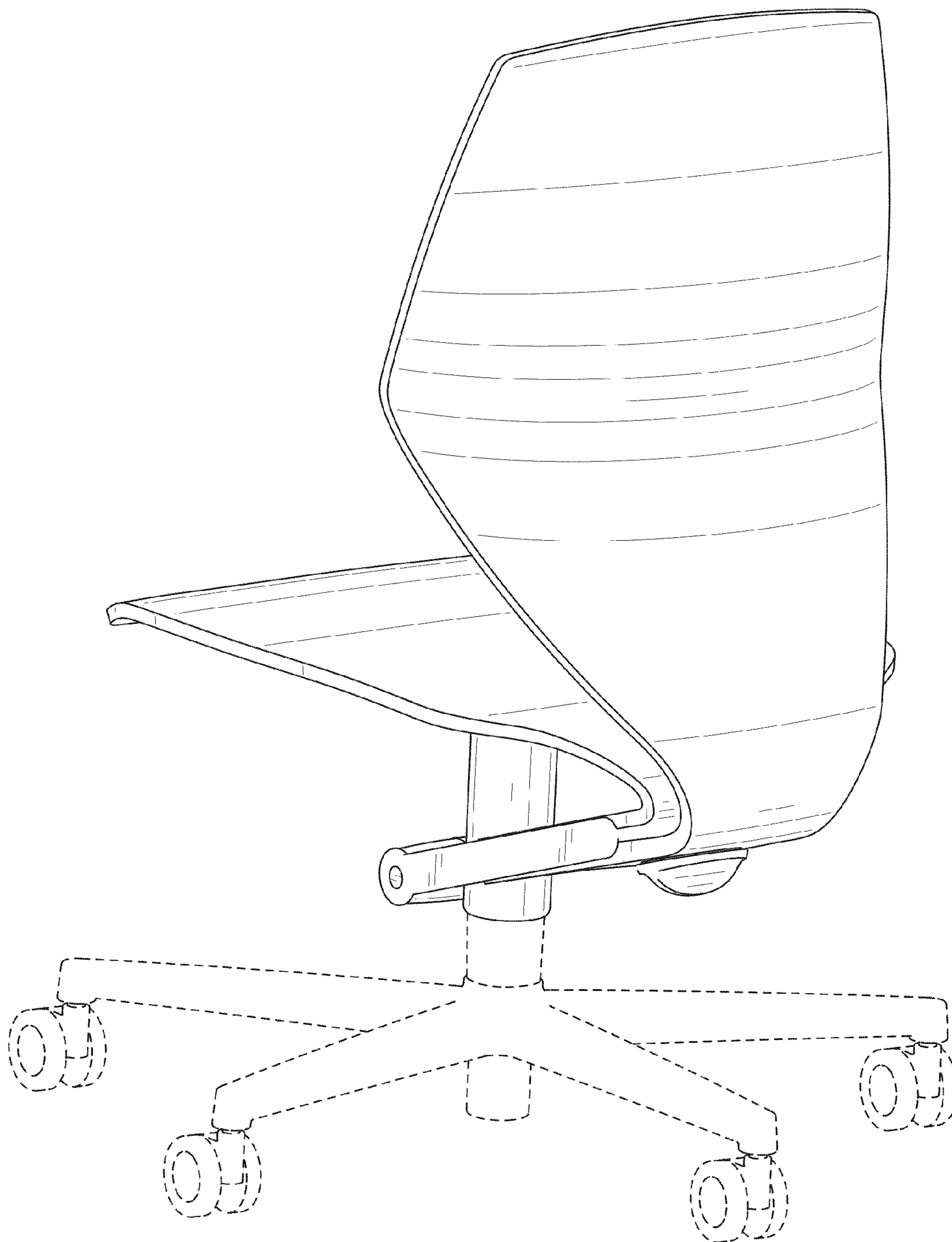


FIG. 8

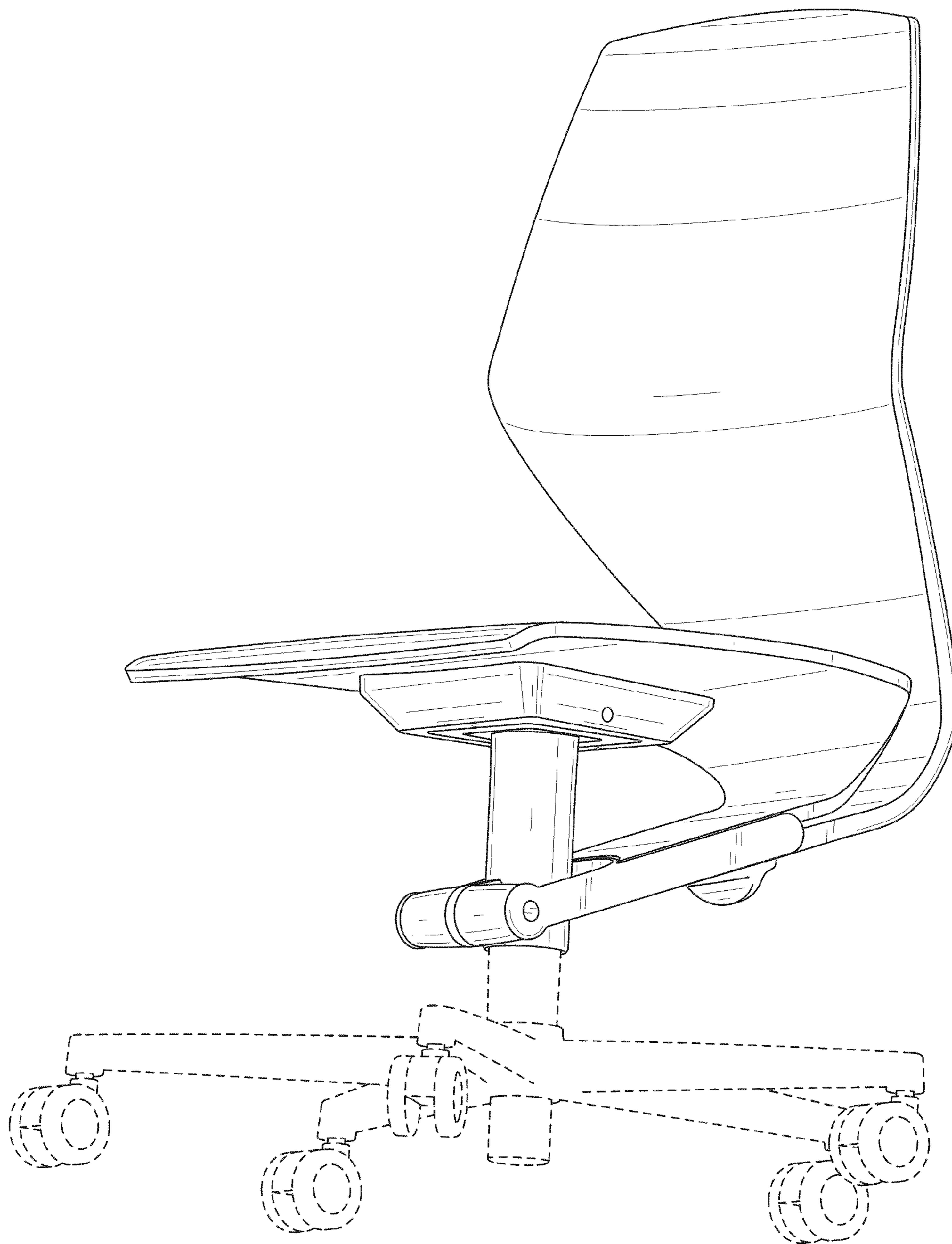


FIG. 9

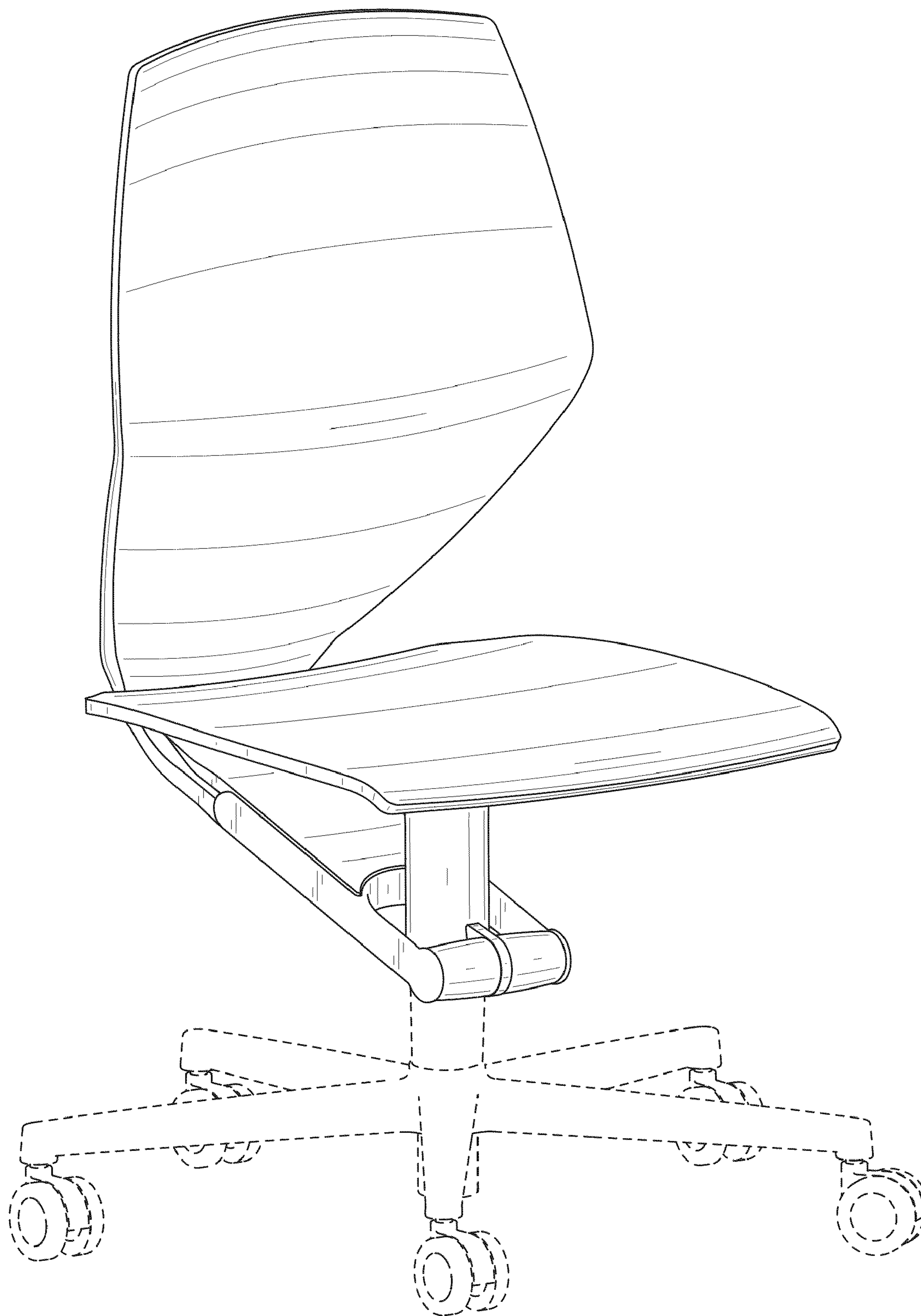


FIG. 10

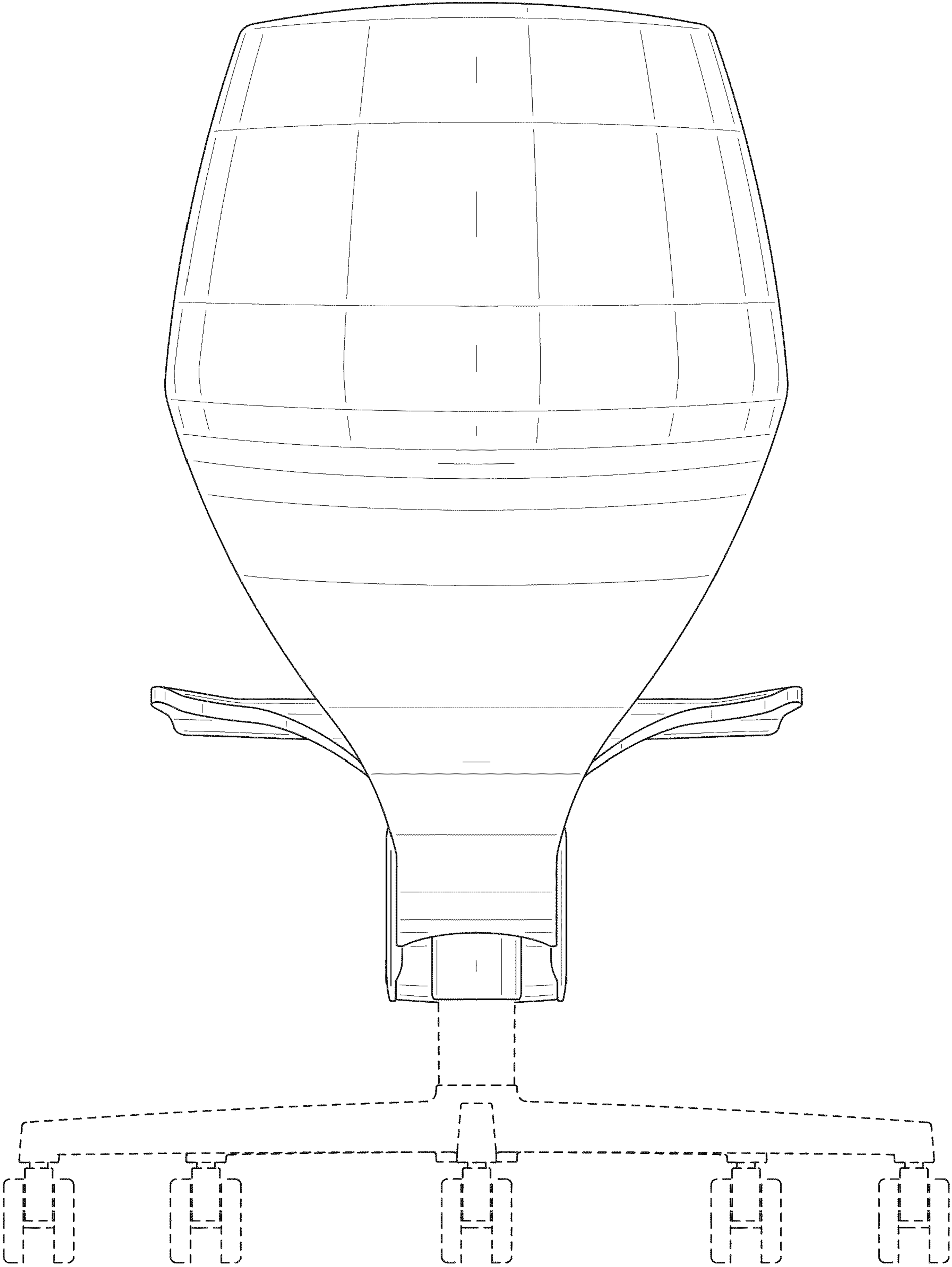


FIG. 11

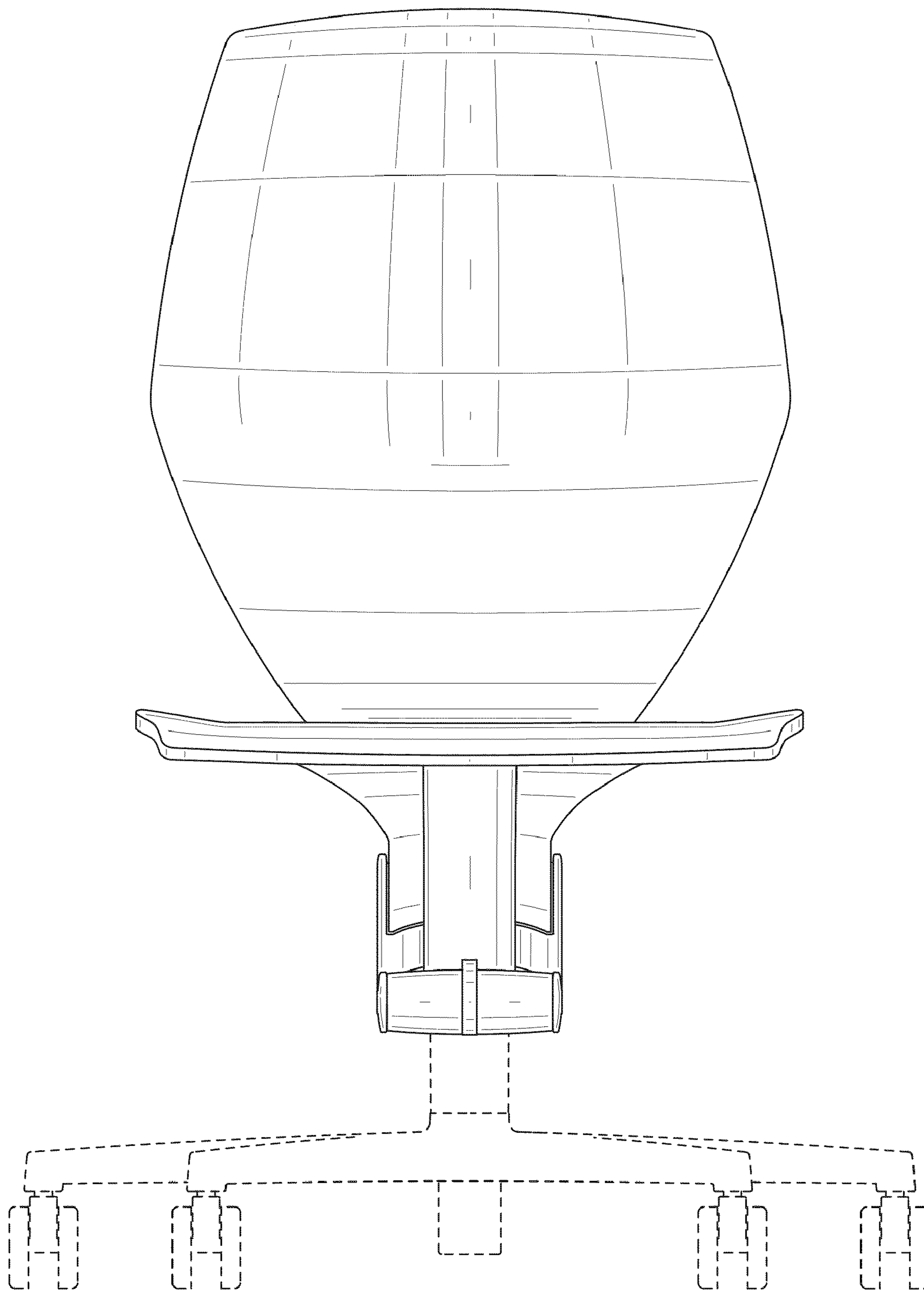


FIG. 12

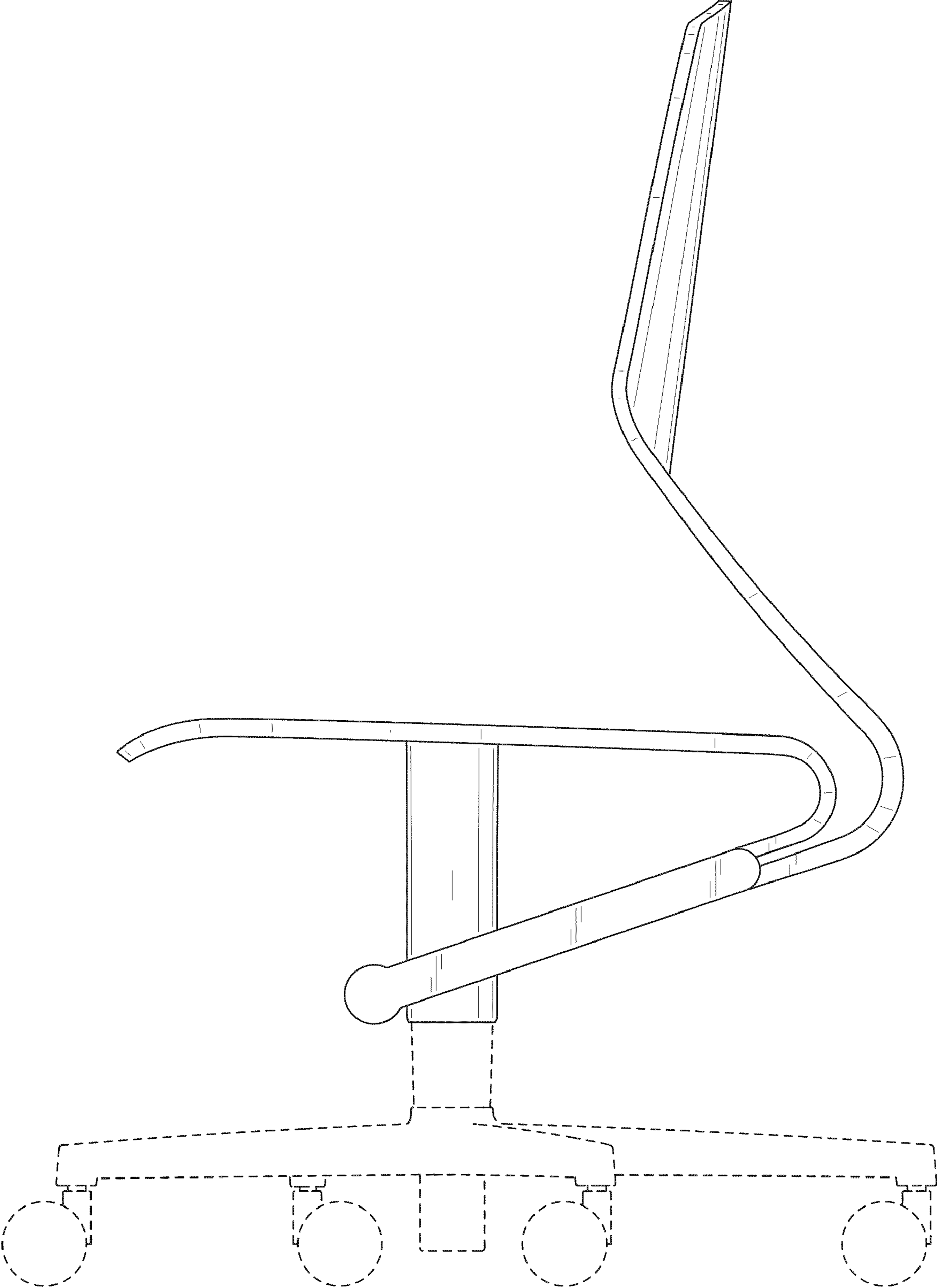


FIG. 13

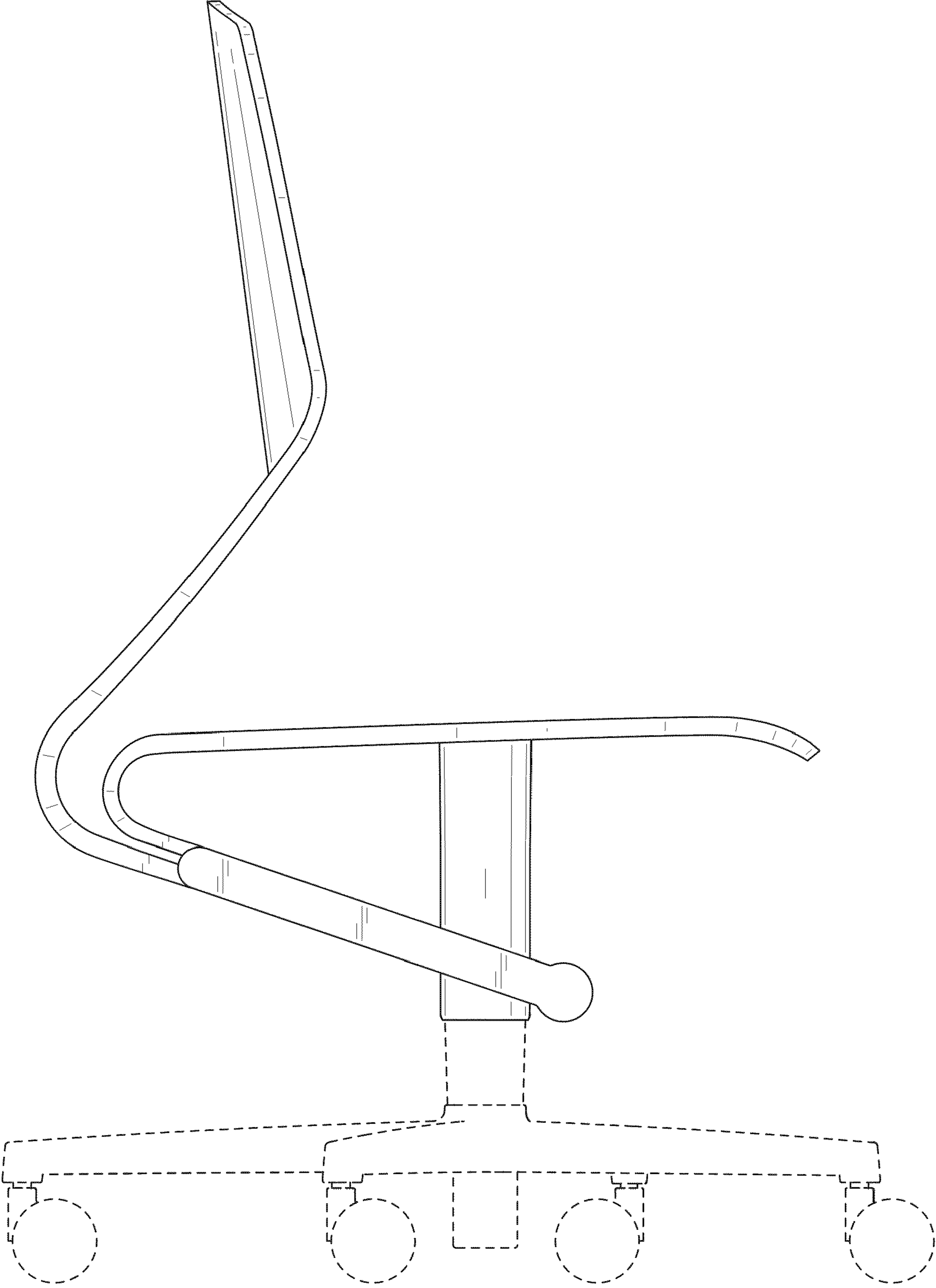


FIG. 14

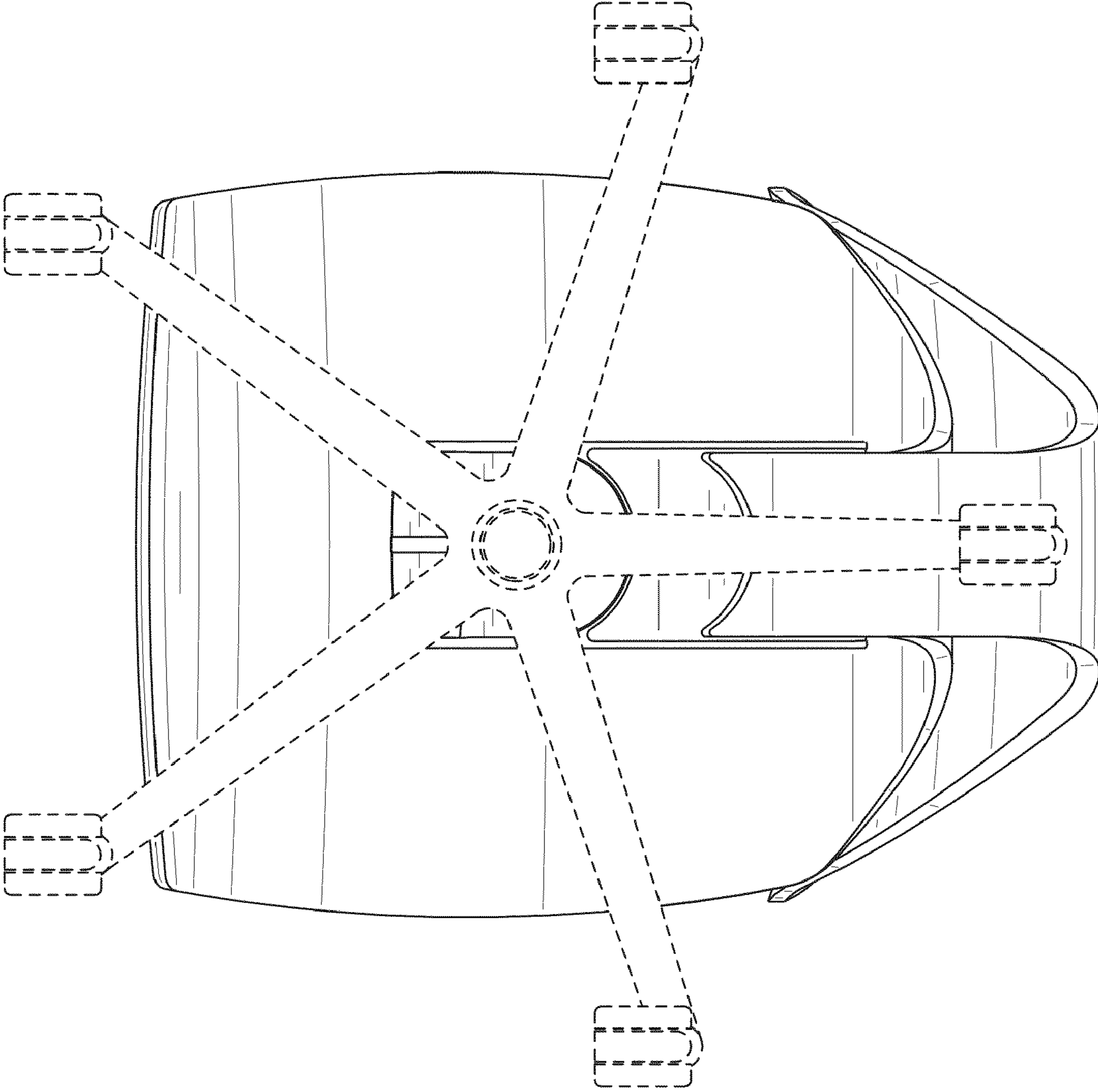


FIG. 15

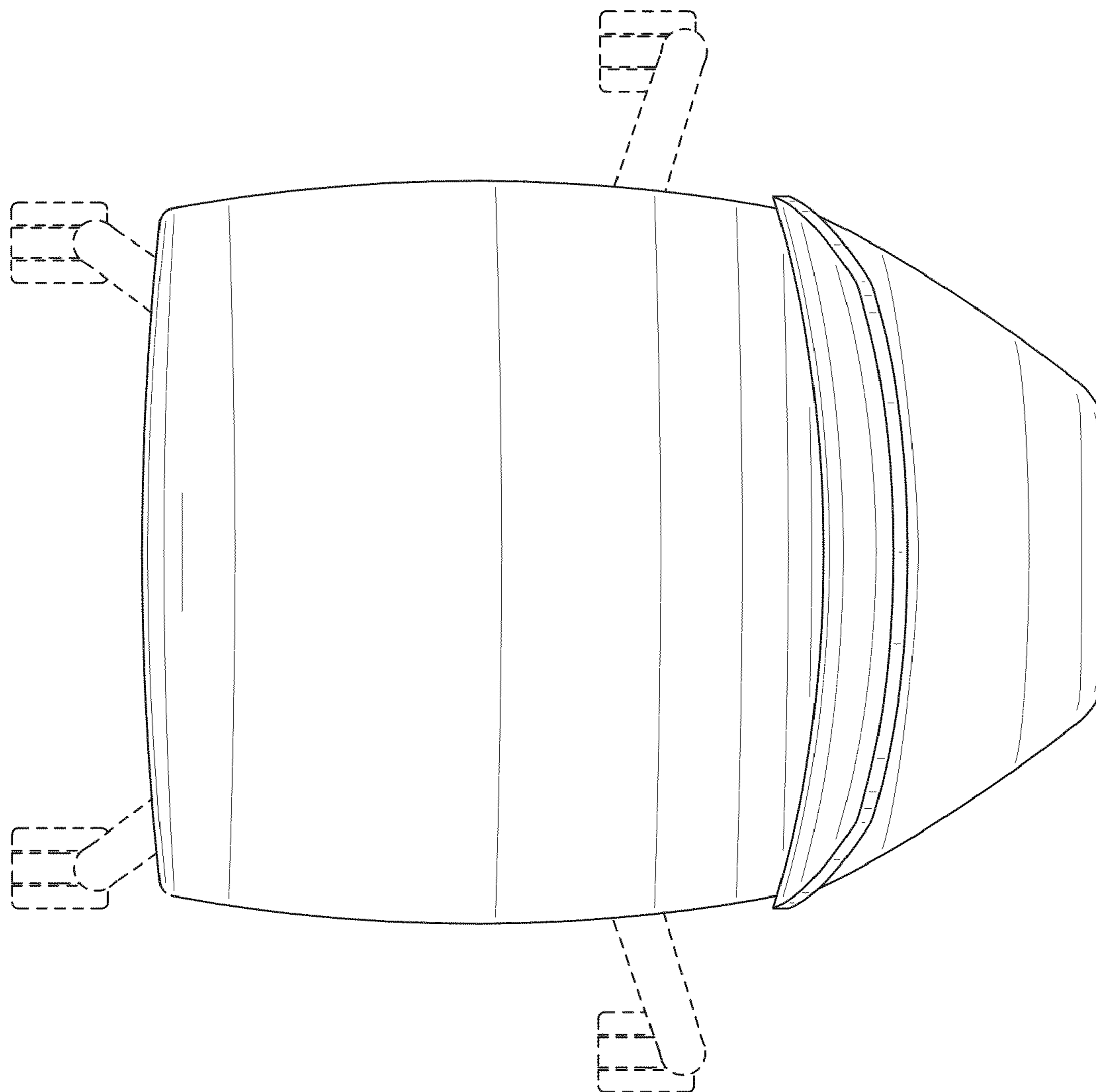


FIG. 16

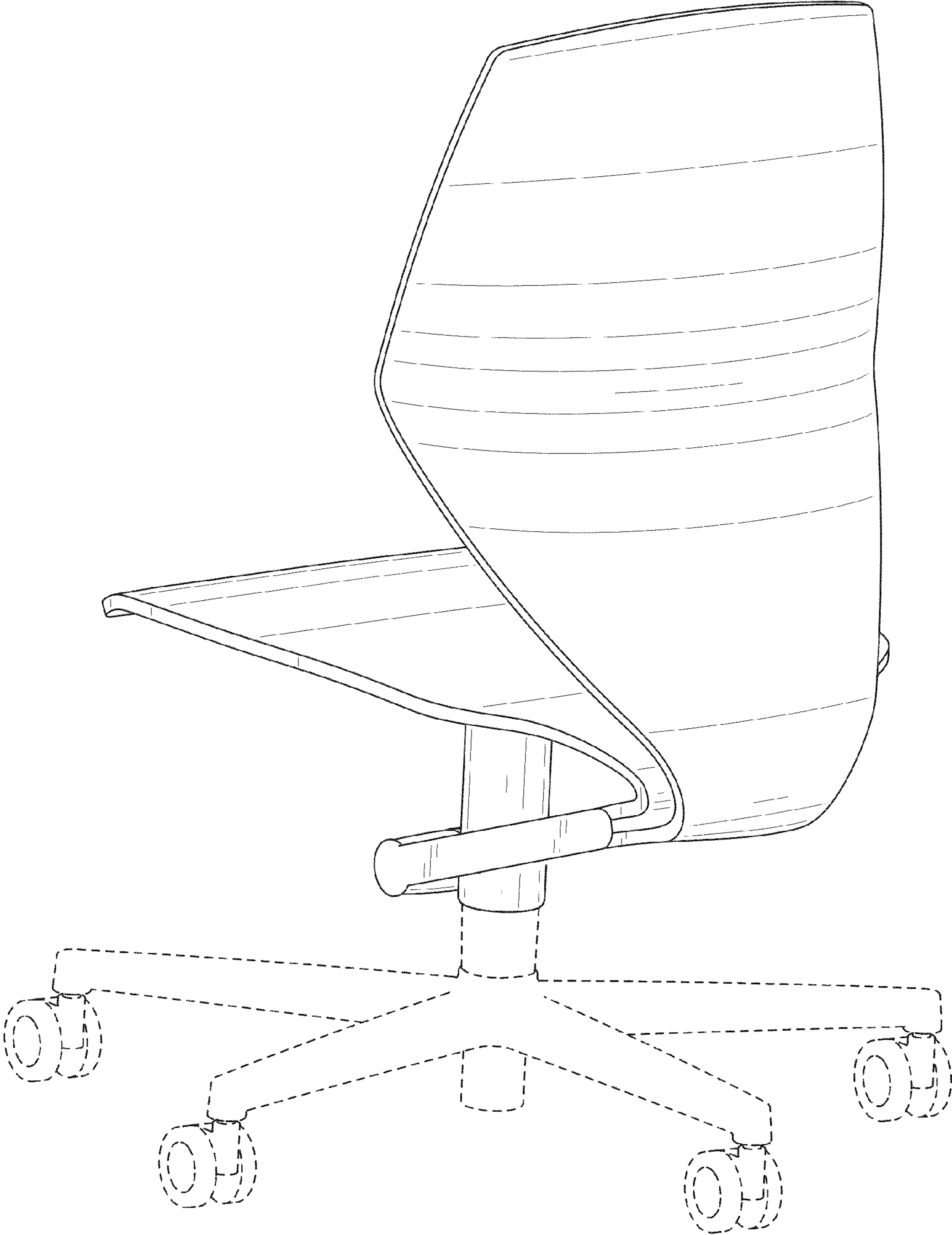


FIG. 17