



US00D646510S

(12) **United States Design Patent**  
**Gasser**

(10) **Patent No.:** **US D646,510 S**

(45) **Date of Patent:** **\*\* Oct. 11, 2011**

(54) **CHAIR WITH ARMRESTS**

(75) Inventor: **Mark E. Gasser**, Hubbard, OH (US)

(73) Assignee: **Gasser Chair Company, Inc.**,  
Youngstown, OH (US)

(\*\*) Term: **14 Years**

(21) Appl. No.: **29/361,874**

(22) Filed: **May 17, 2010**

(51) **LOC (9) Cl.** ..... **06-01**

(52) **U.S. Cl.** ..... **D6/500**

(58) **Field of Classification Search** ..... D6/334,  
D6/335, 337, 349, 353, 380, 381, 500-502,  
D6/374; 297/14, 43, 44, 118, 140, 245, 300.1,  
297/311, 353, 354.1, 445.1, 446.1, 446.2,  
297/447.4, 465, 900, DIG. 2, DIG. 7; 5/12.1,  
5/12.2

See application file for complete search history.

(56) **References Cited**

U.S. PATENT DOCUMENTS

3,041,110	A *	6/1962	King et al. ....	297/451.1
3,159,428	A *	12/1964	Schier .....	297/452.65
4,768,833	A *	9/1988	Virtue .....	297/440.2
D297,890	S *	10/1988	Hockenberry et al. ....	D6/367
D382,150	S *	8/1997	Balderi et al. ....	D6/502
D386,910	S *	12/1997	Saiger .....	D6/334
D393,956	S *	5/1998	Kane .....	D6/374
D401,769	S *	12/1998	Kaiser .....	D6/334
D432,321	S *	10/2000	Buehler .....	D6/334
D437,124	S *	2/2001	Kemnitzner .....	D6/334
D469,263	S *	1/2003	Clark et al. ....	D6/334
D498,366	S *	11/2004	Barile et al. ....	D6/369

D521,264	S *	5/2006	Ware et al. ....	D6/374
D546,569	S *	7/2007	Jones .....	D6/334
D555,381	S *	11/2007	Swanson .....	D6/380
D558,480	S *	1/2008	Olano Jauregui .....	D6/379
D573,804	S *	7/2008	Bartlmae .....	D6/374
D589,275	S *	3/2009	Kubryk .....	D6/374
D591,968	S *	5/2009	Pinaffo et al. ....	D6/380
D591,969	S *	5/2009	Overthun et al. ....	D6/380
D593,336	S *	6/2009	Ciani et al. ....	D6/374
D610,844	S *	3/2010	Muller .....	D6/502
D617,570	S *	6/2010	Kubryk .....	D6/380

\* cited by examiner

*Primary Examiner* — Sandra Snapp

(74) *Attorney, Agent, or Firm* — Lerner, David, Littenberg,  
Krumholz & Mentlik, LLP

(57) **CLAIM**

The ornamental design for a chair with armrests, as shown and described.

**DESCRIPTION**

FIG. 1 is a front perspective view of a first embodiment chair with armrests, in accordance with the present invention;

FIG. 2 is a front elevation view of the chair with armrests shown in FIG. 1;

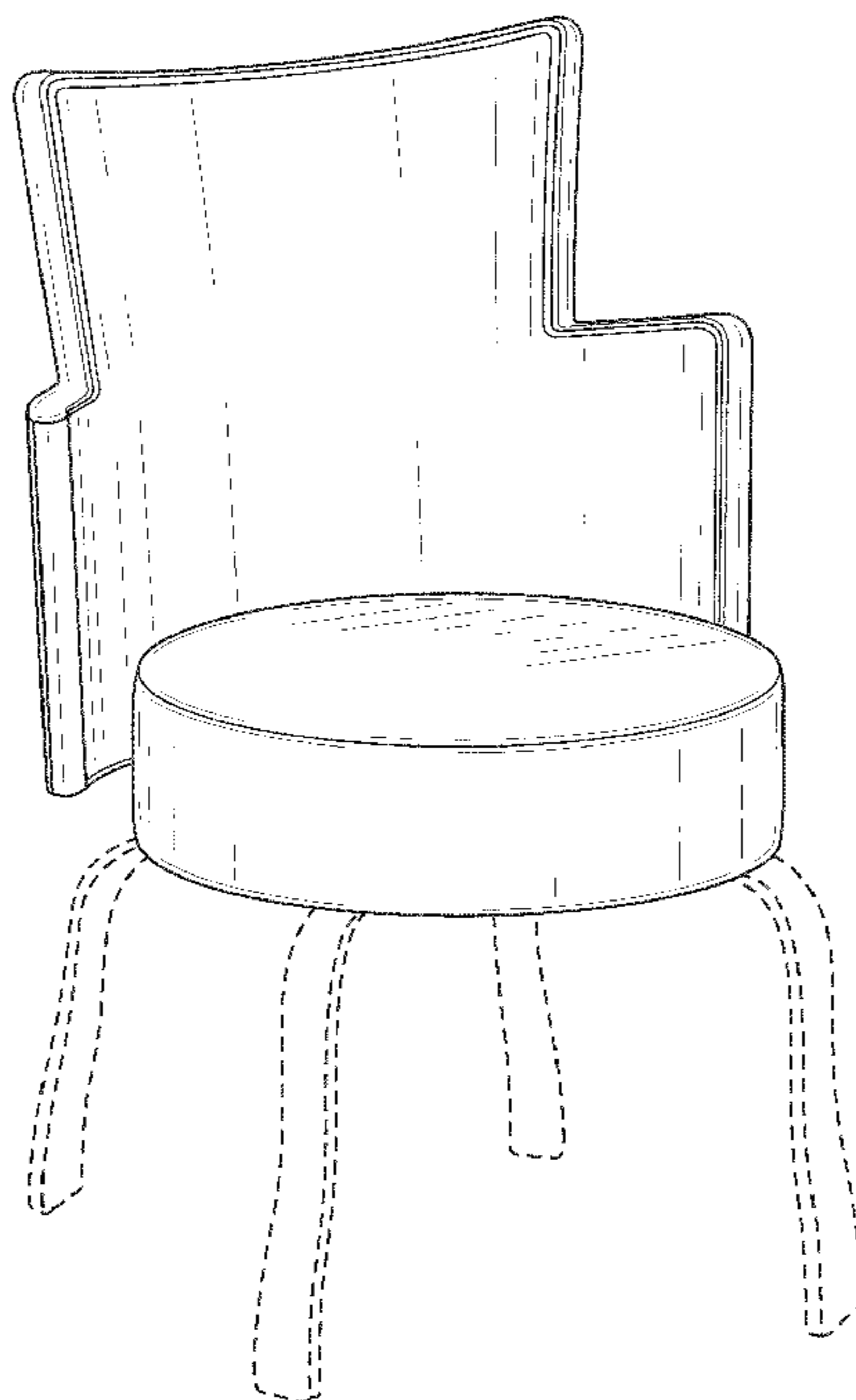
FIG. 3 is a back elevation view of the chair with armrests shown in FIG. 1;

FIG. 4 is a left side elevation view of the chair with armrests shown in FIG. 1;

FIG. 5 is a right side elevation view of the chair with armrests shown in FIG. 1; and,

FIG. 6 is a top plan view of the chair with armrests shown in FIG. 1.

**1 Claim, 6 Drawing Sheets**



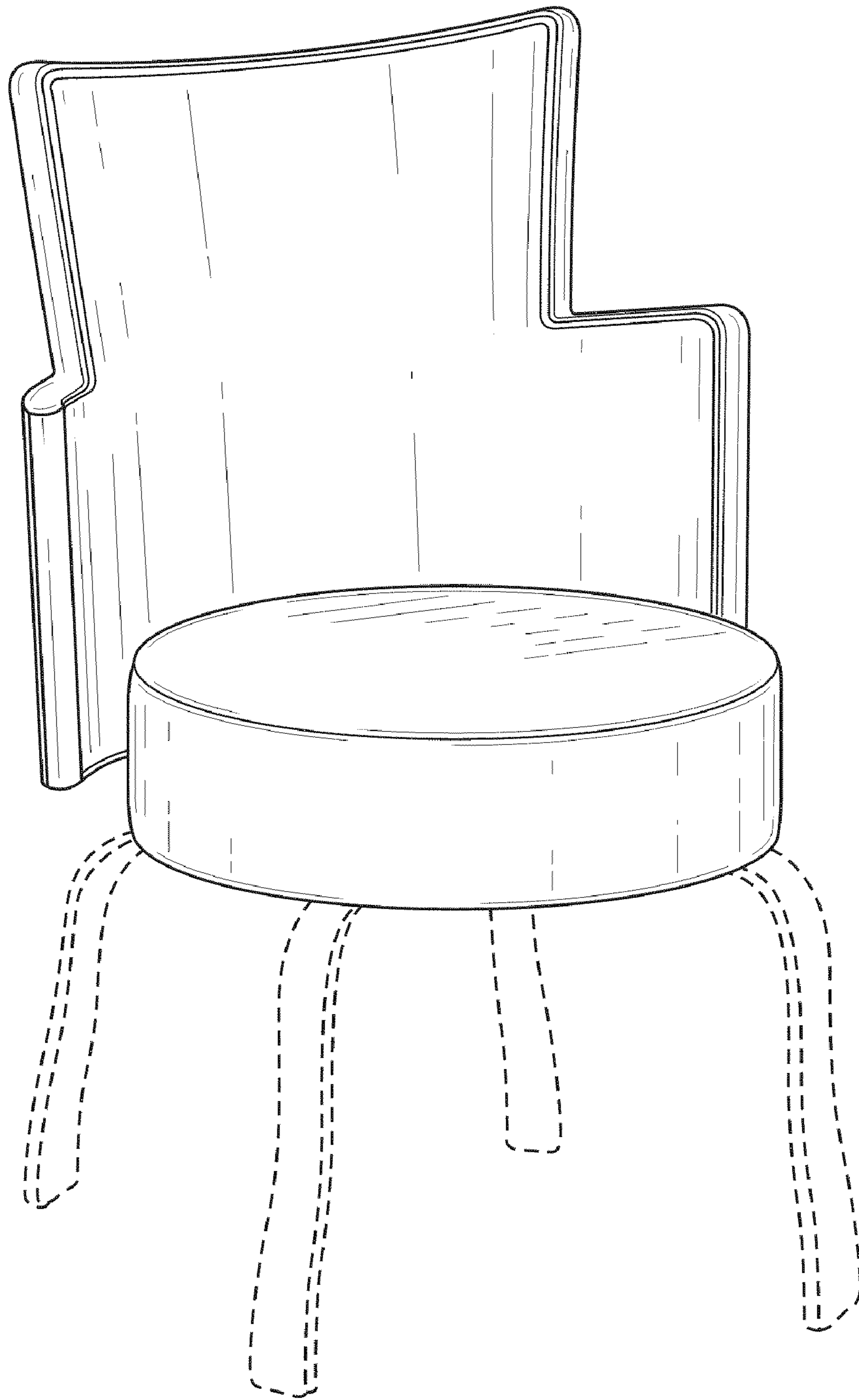


FIG. 1

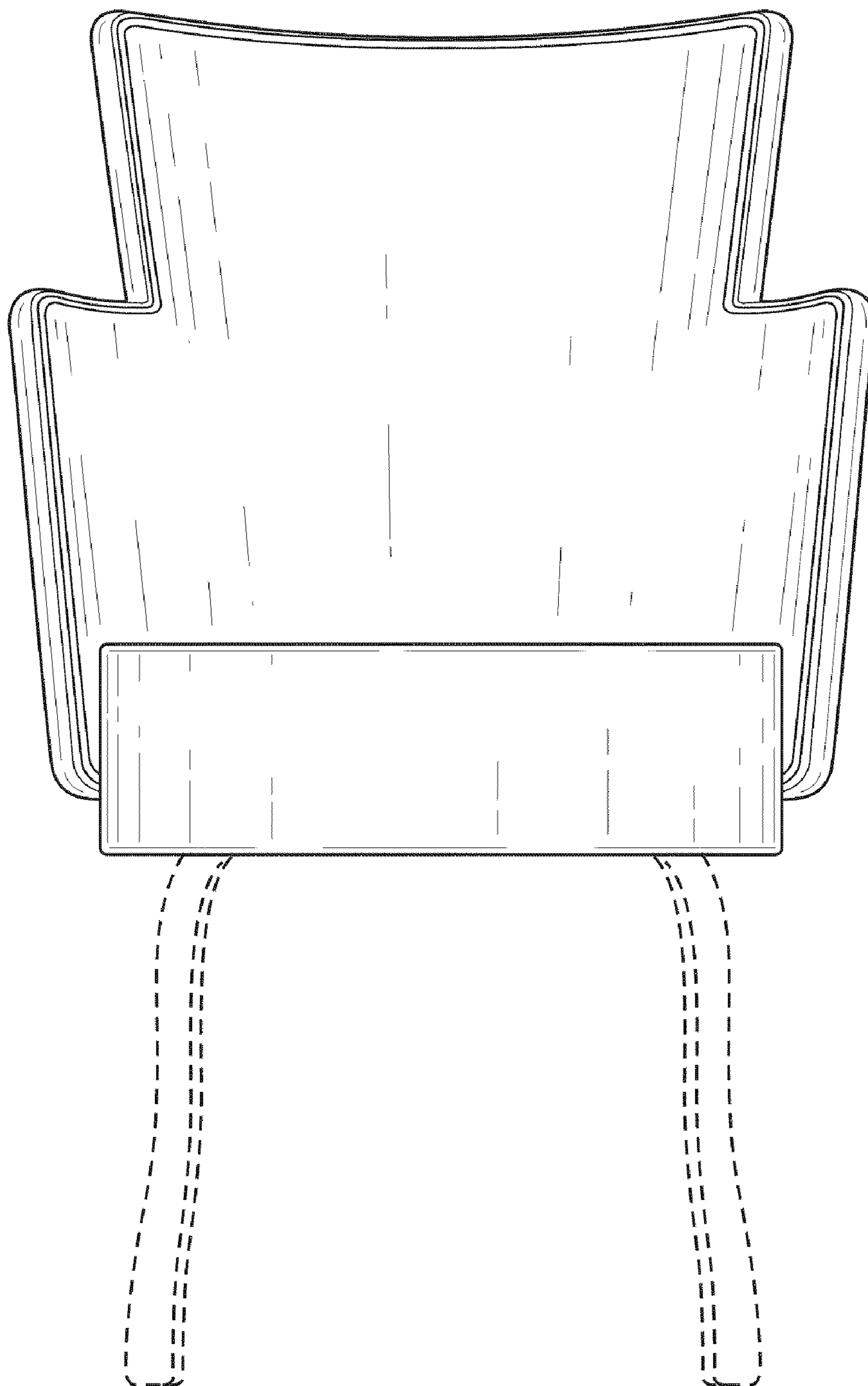


FIG. 2

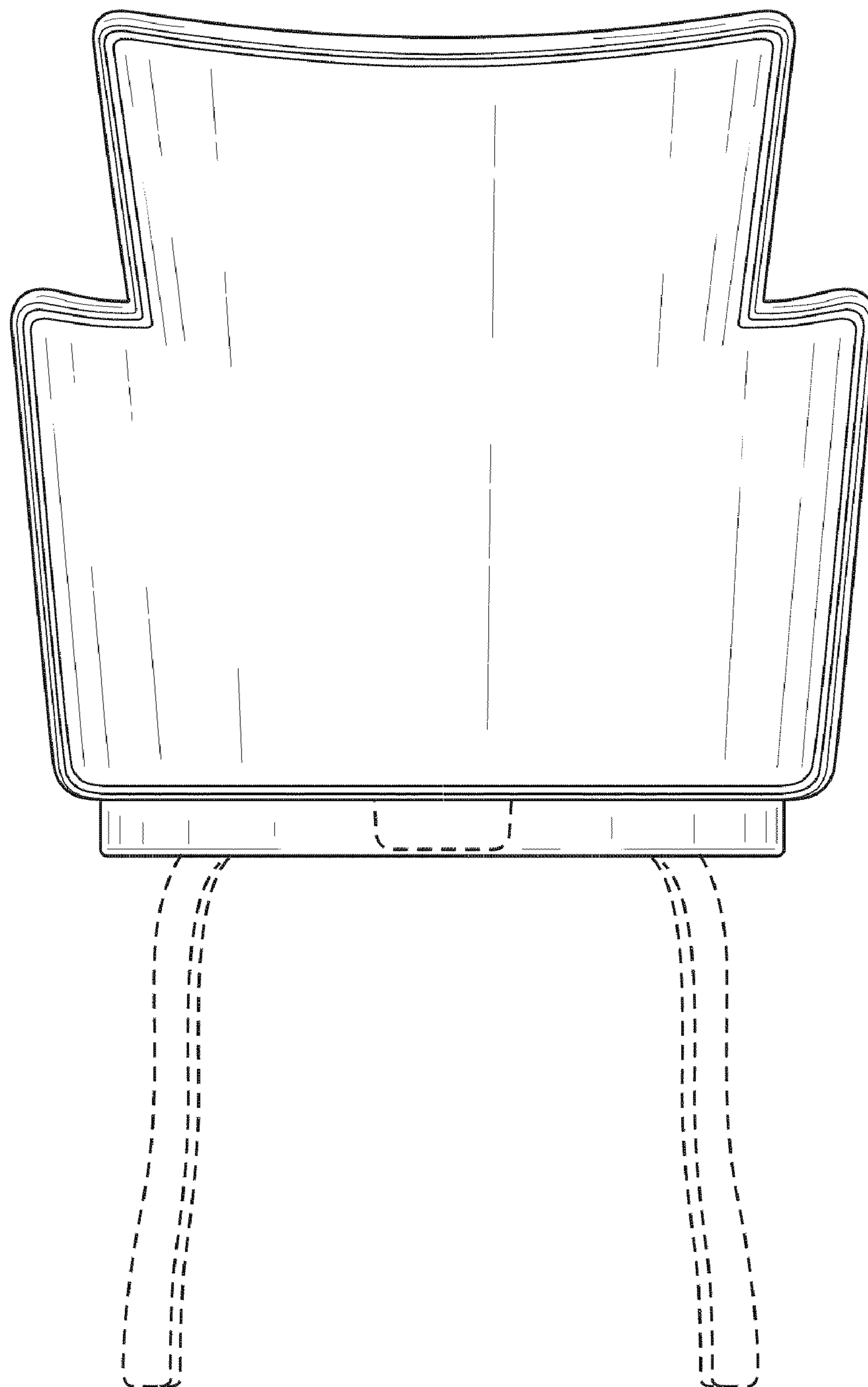


FIG. 3

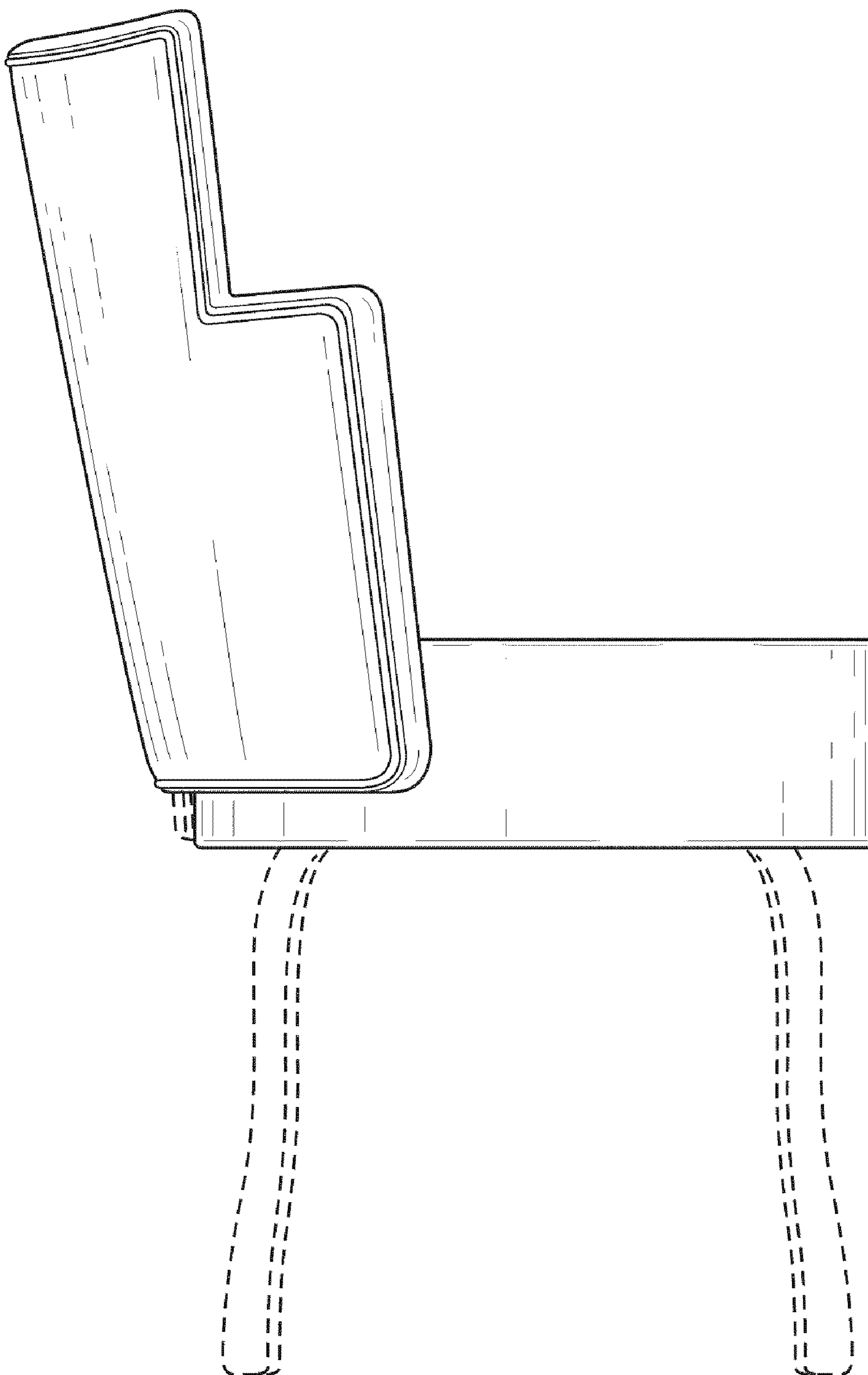


FIG. 4

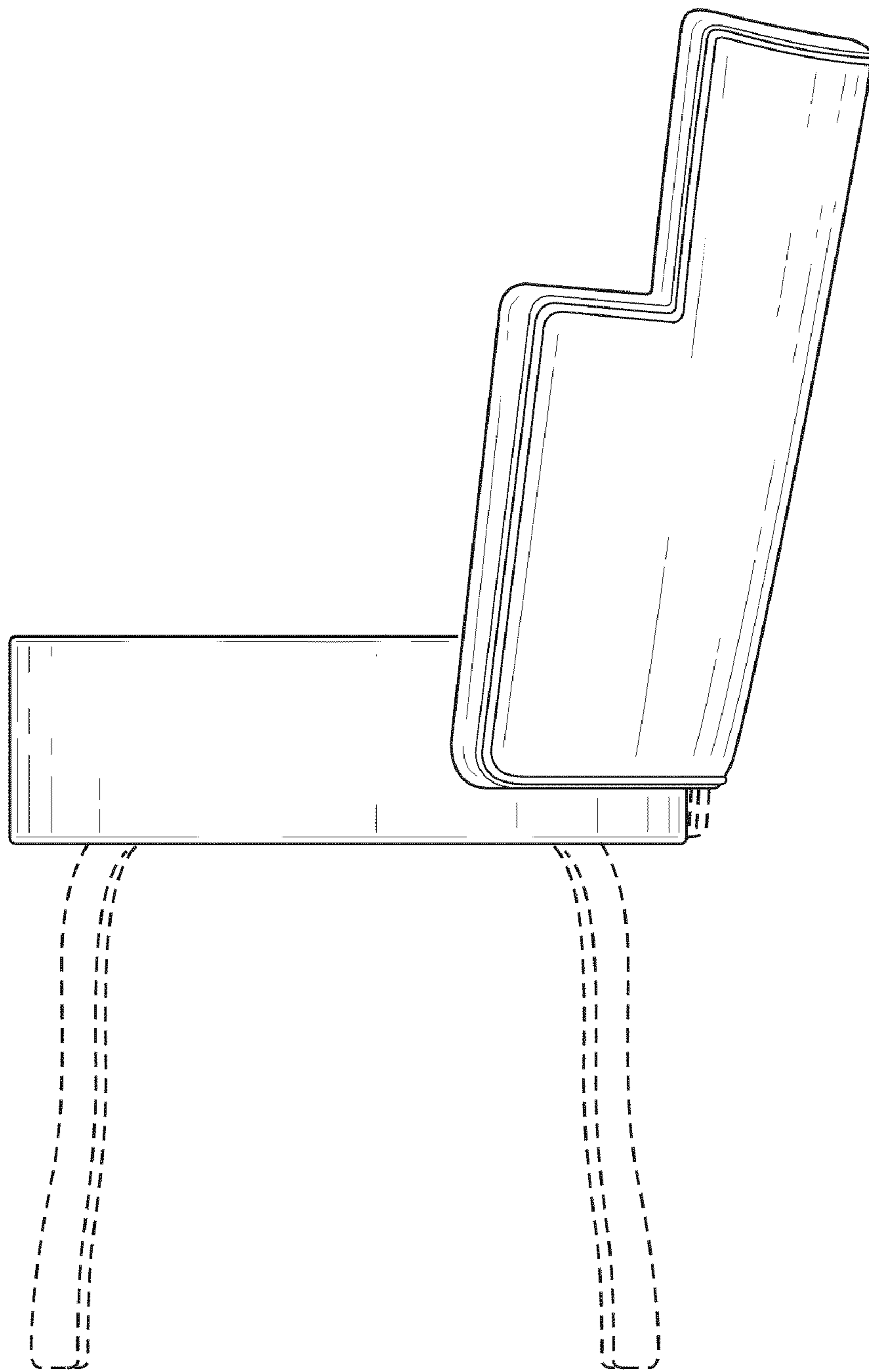


FIG. 5

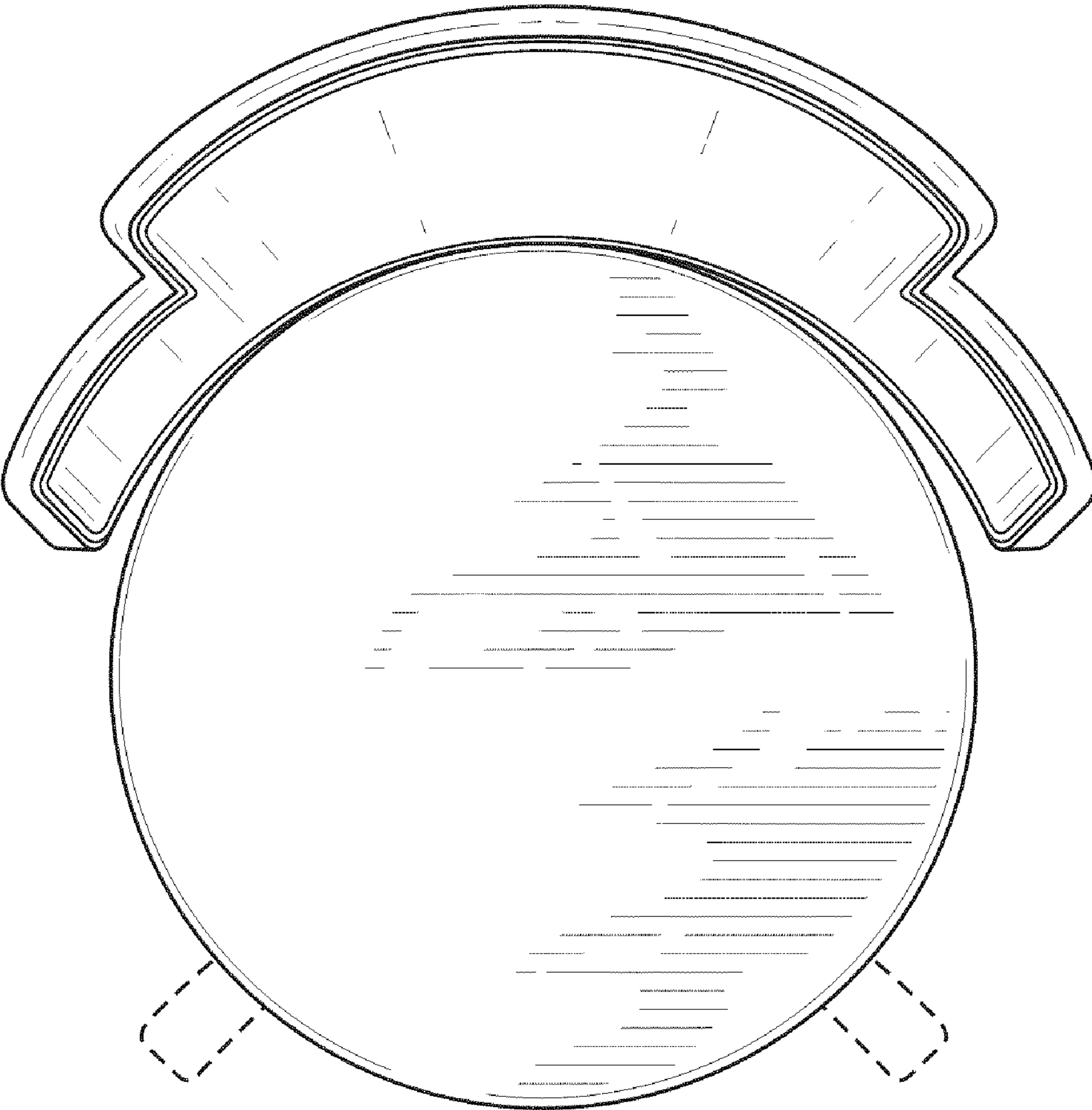


FIG. 6