



US00D646509S

(12) **United States Design Patent**
Luebcke

(10) **Patent No.:** **US D646,509 S**

(45) **Date of Patent:** **** Oct. 11, 2011**

(54) **TRANSPARENT PLASTIC MUSIC PLAY LIST
HOLDER FOR A MUSIC STAND**

7,739,820 B2 * 6/2010 Frank 40/647
2005/0081417 A1 * 4/2005 Valiulis 40/661
2005/0133676 A1 * 6/2005 Brinkman et al. 248/223.41

(76) Inventor: **Kimberly J. Luebcke**, Troy, OH (US)

* cited by examiner

(**) Term: **14 Years**

Primary Examiner — Janice Seeger

(21) Appl. No.: **29/370,244**

(74) *Attorney, Agent, or Firm* — Jacox, Meckstroth & Jenkins

(22) Filed: **Jun. 21, 2010**

(51) **LOC (9) Cl.** **06-06**

(52) **U.S. Cl.** **D6/491; D6/419; D6/314; D19/90;**
D20/43

(58) **Field of Classification Search** D6/419,
D6/420, 429, 421, 314, 491, 513; 248/441.1,
248/444.1, 451, 454, 456, 460, 463, 447.1,
248/459; D19/86, 90; D20/40, 42, 43, 44;
40/661, 771, 658, 661.03, 642.02, 643
See application file for complete search history.

(57) **CLAIM**

The ornamental design for a transparent plastic music play list holder for a music stand, as shown and described.

DESCRIPTION

FIG. 1 is a perspective view of a transparent plastic music play list holder for a music stand and showing my new design; FIG. 2 is a larger perspective view thereof; FIG. 3 is a side view thereof, the opposite side view being a mirror image; FIG. 4 is a front view thereof; FIG. 5 is a rear view thereof; FIG. 6 is a top view thereof; and, FIG. 7 is a bottom view thereof.

The music stand shown in phantom in FIG. 1 is for illustrative purpose only and forms no part of the claimed design.

(56) **References Cited**

U.S. PATENT DOCUMENTS

4,369,948 A * 1/1983 Krauss et al. 248/444.1
D311,457 S * 10/1990 Shapiro D6/314
D337,011 S * 7/1993 Duffy et al. D6/513
5,487,521 A * 1/1996 Callahan 248/441.1
D595,782 S * 7/2009 Whitfield D20/43

1 Claim, 2 Drawing Sheets

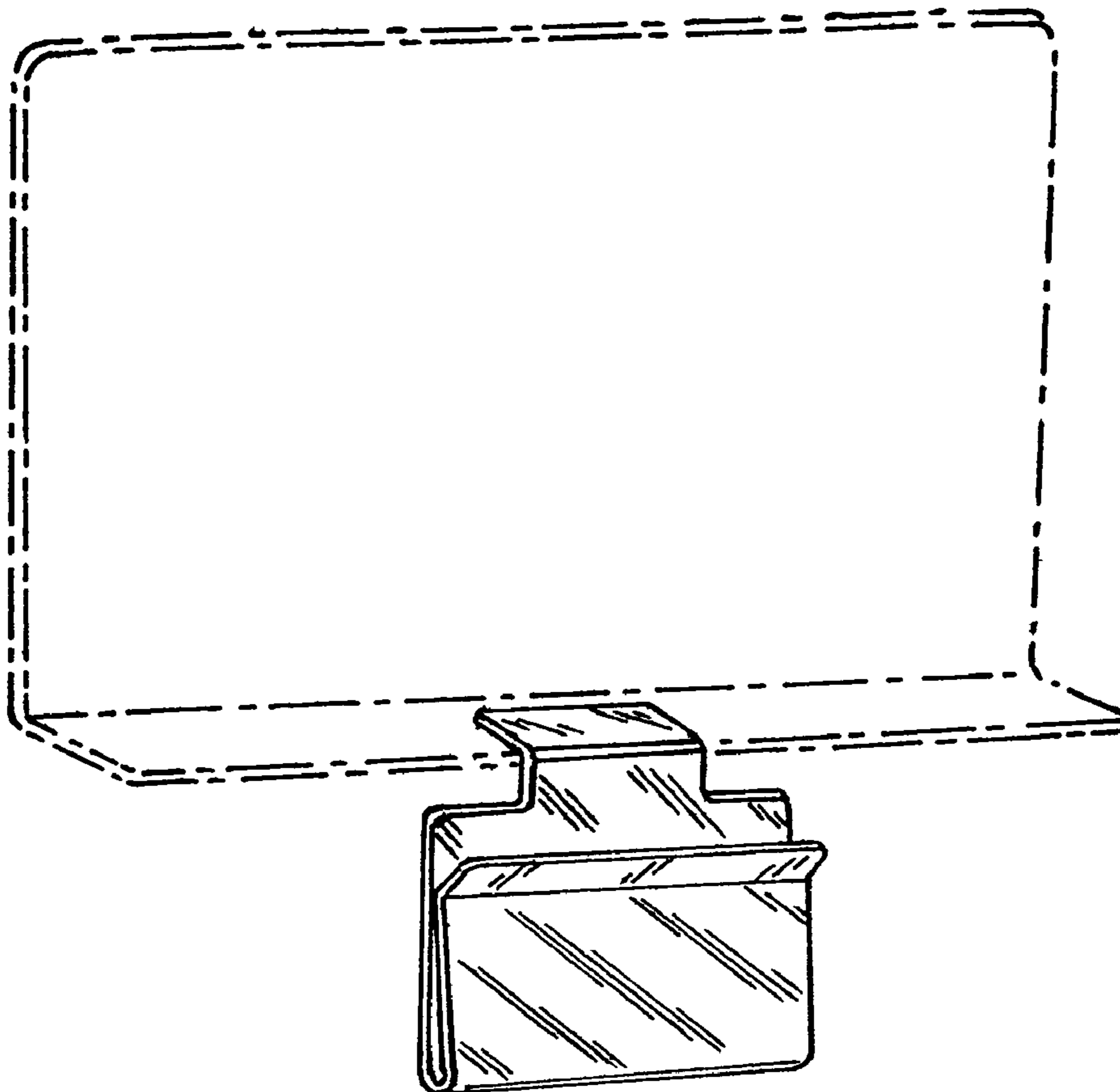


FIG-1

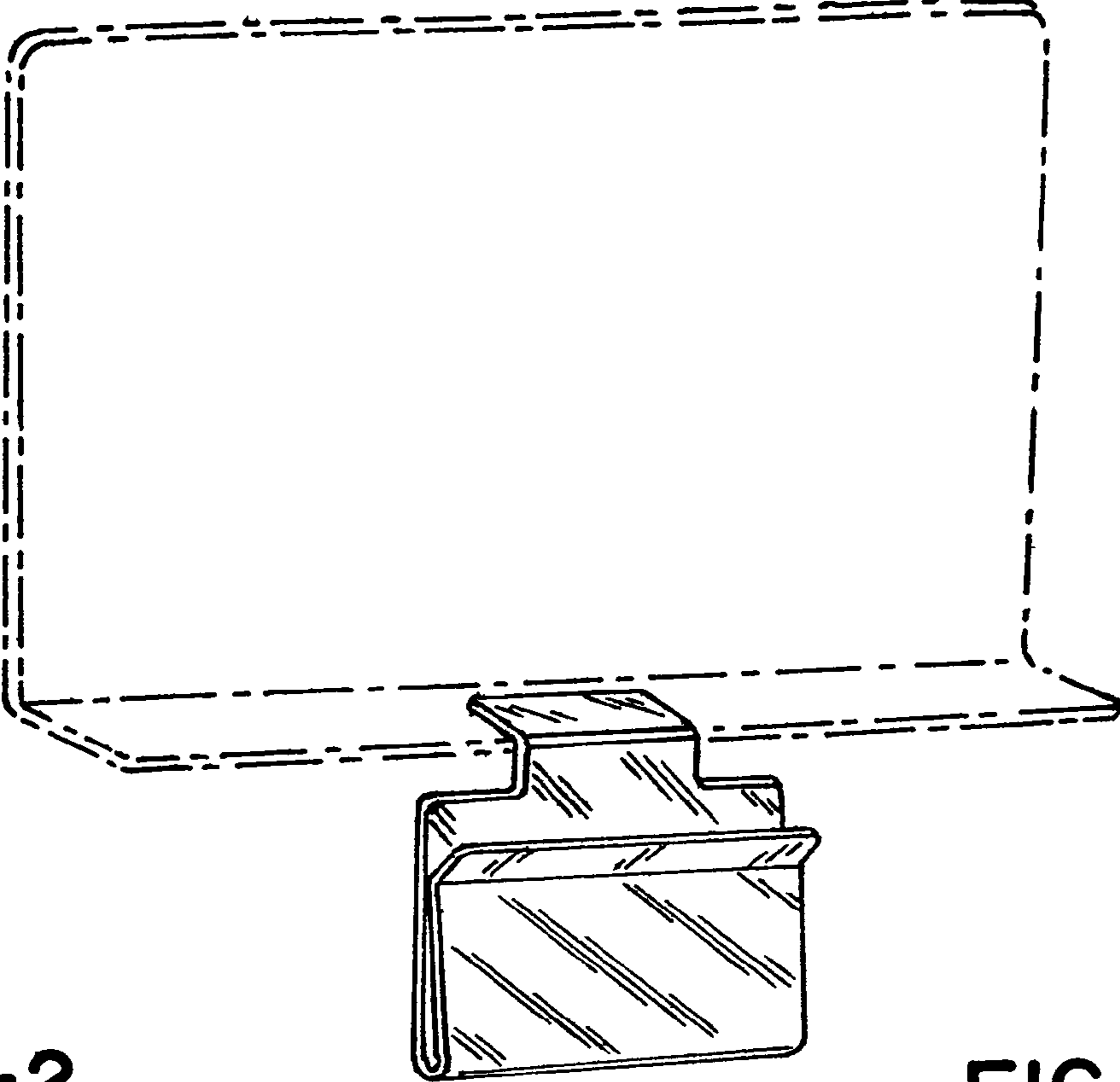


FIG-2

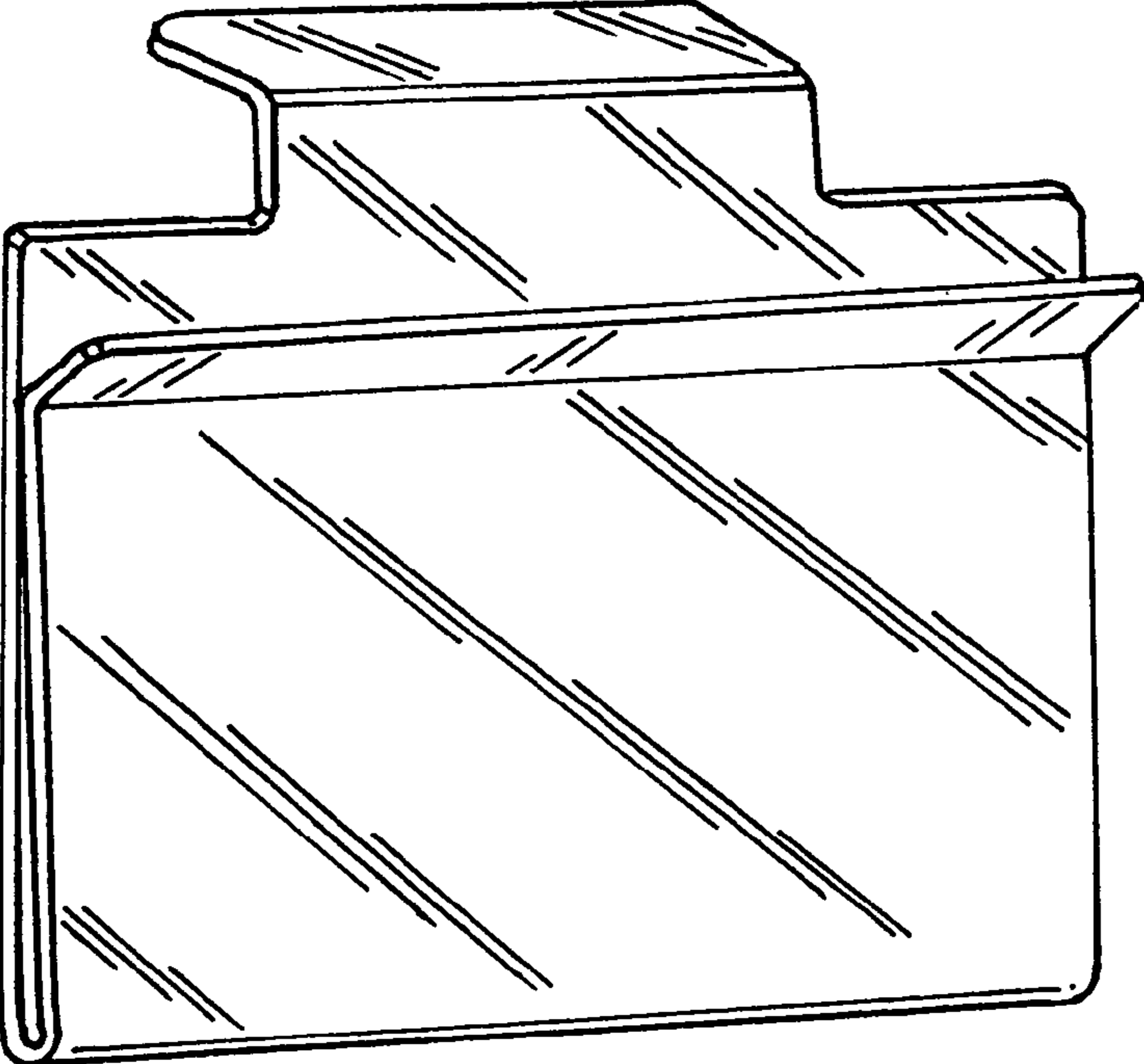


FIG-3

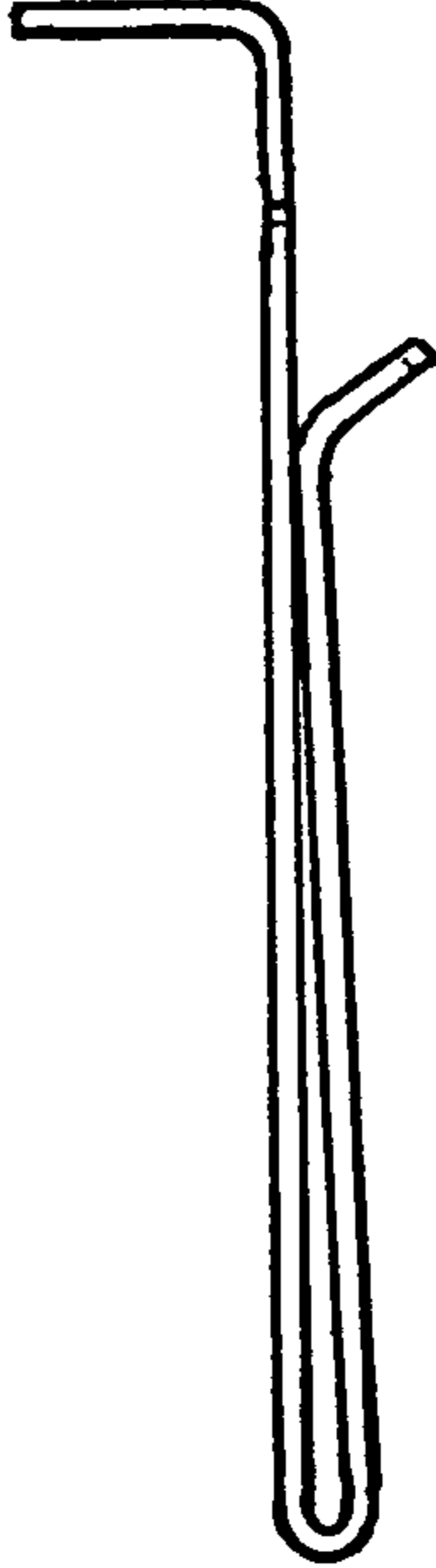


FIG-4

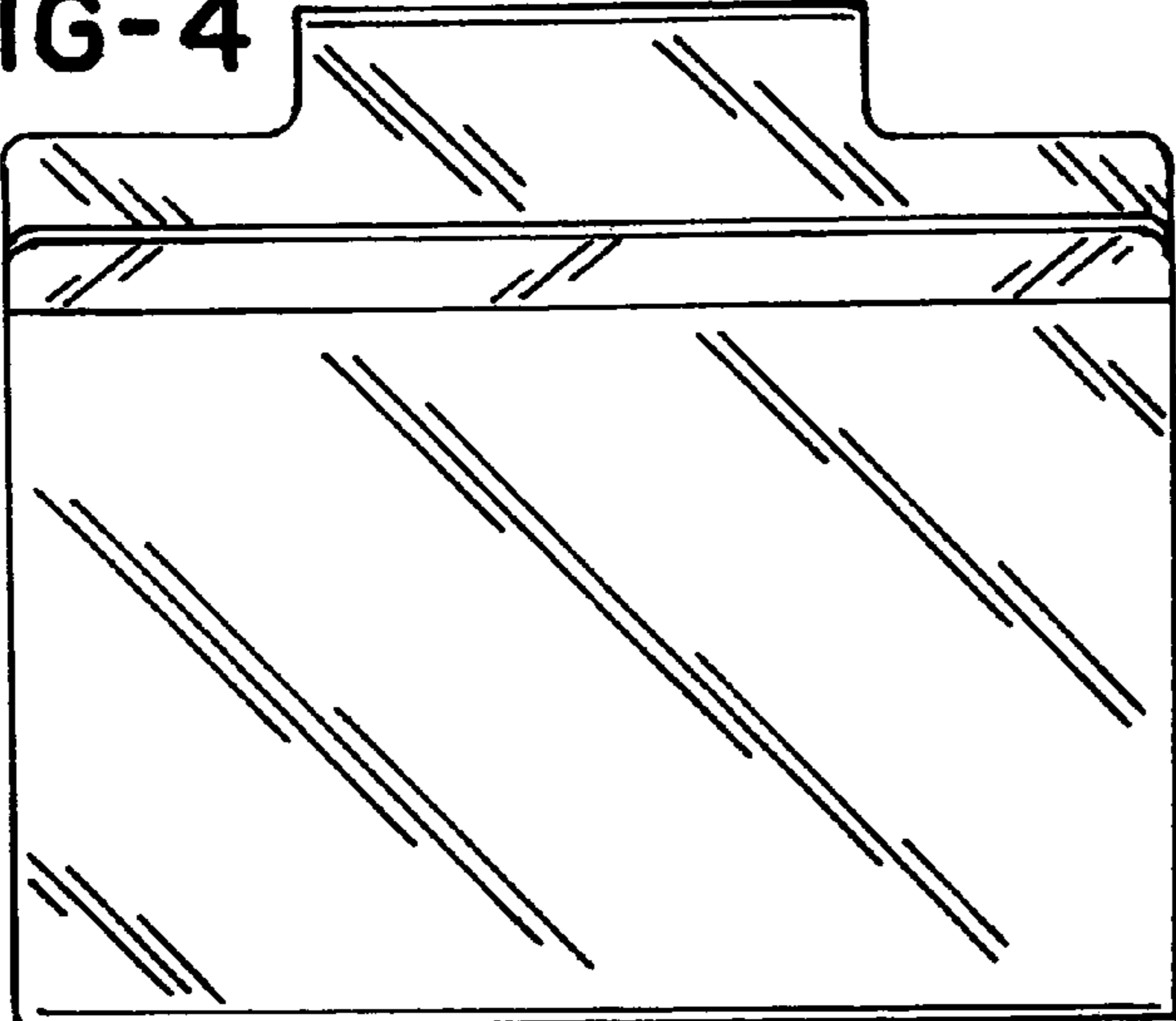


FIG-5

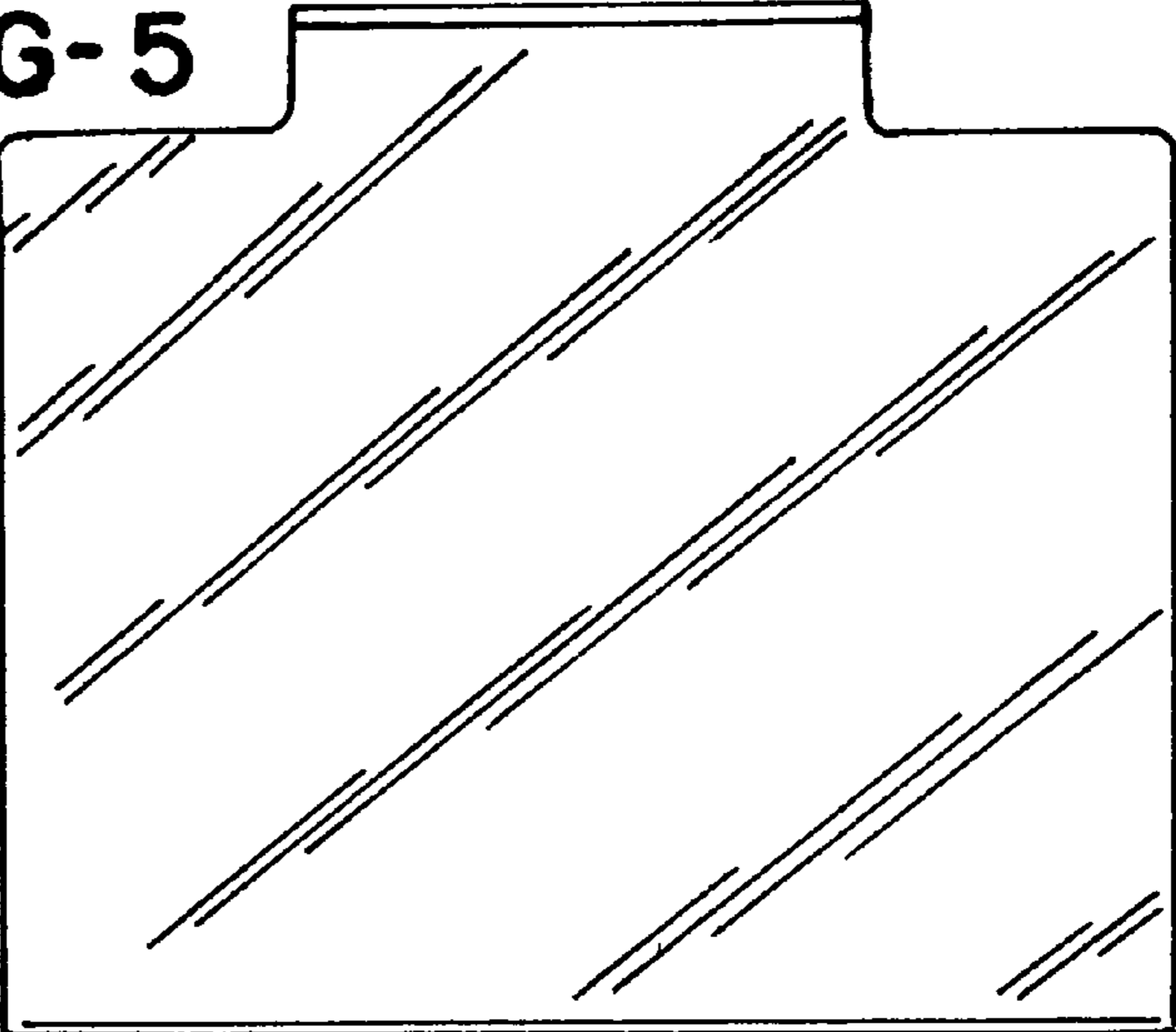


FIG-6

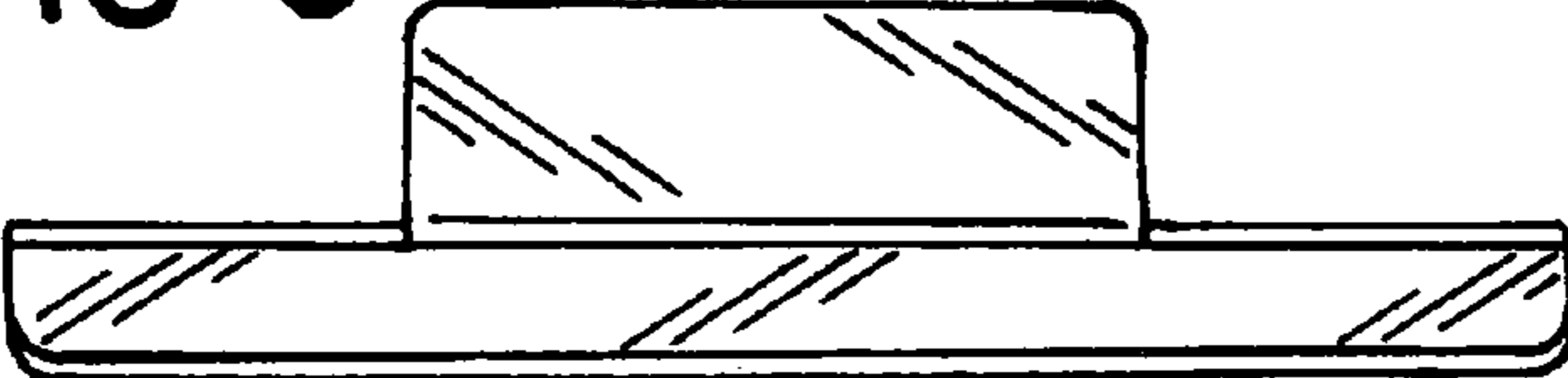


FIG-7

