



US00D646508S

(12) **United States Design Patent**
Parizek et al.

(10) **Patent No.:** **US D646,508 S**

(45) **Date of Patent:** **** Oct. 11, 2011**

(54) **TRANSACTION TABLE**

(75) Inventors: **Scott Parizek**, Lakeville, MN (US);
Dixon Gimpel, Prior Lake, MN (US)

(73) Assignee: **Skyline Displays, Inc.**, Eagan, MN (US)

(**) Term: **14 Years**

(21) Appl. No.: **29/357,898**

(22) Filed: **Mar. 18, 2010**

(51) **LOC (9) Cl.** **06-03**

(52) **U.S. Cl.** **D6/486; D6/481; D6/419**

(58) **Field of Classification Search** D6/480-489,
D6/429-431, 495-499, 419; 108/150, 153.1,
108/155, 156, 161, 157.14; 248/188, 188.1,
248/188.7, 188.8; 297/440.12

See application file for complete search history.

(56) **References Cited**

U.S. PATENT DOCUMENTS

3,866,550	A *	2/1975	Geschwender	108/157.14
D306,664	S *	3/1990	Pouch	D6/429
5,044,595	A	9/1991	Carr et al.		
D344,859	S *	3/1994	Butterfield	D6/353
D367,786	S *	3/1996	Carr et al.	D6/481
D387,584	S *	12/1997	Gemme	D6/486
5,865,127	A	2/1999	Carter		
D417,981	S *	12/1999	Zwicker	D6/481
6,145,800	A	11/2000	Watkins		
6,240,855	B1	6/2001	Pirkl et al.		
6,443,481	B1	9/2002	Stravitz et al.		

7,168,372	B2	1/2007	Fotia
2004/0238469	A1	12/2004	Ng
2005/0258723	A1	11/2005	Chung
2008/0017083	A1	1/2008	VanNimwegen et al.

FOREIGN PATENT DOCUMENTS

DE	20012511	2/2001
EP	1208777 A1	5/2002
EP	1535535	1/2005
WO	W02007114774 A1	10/2007

* cited by examiner

Primary Examiner — Janice Seeger

(74) *Attorney, Agent, or Firm* — Larkin Hoffman Daly & Lindgren Ltd.; Thomas J. Oppold

(57) **CLAIM**

The ornamental design of a transaction table, as shown and described.

DESCRIPTION

FIG. 1 is a front perspective view of the transaction table of the present design;

FIG. 2 is a rear perspective view of the transaction table of FIG. 1;

FIG. 3 is a front view of the transaction table of FIG. 1;

FIG. 4 is a rear view of the transaction table of FIG. 1;

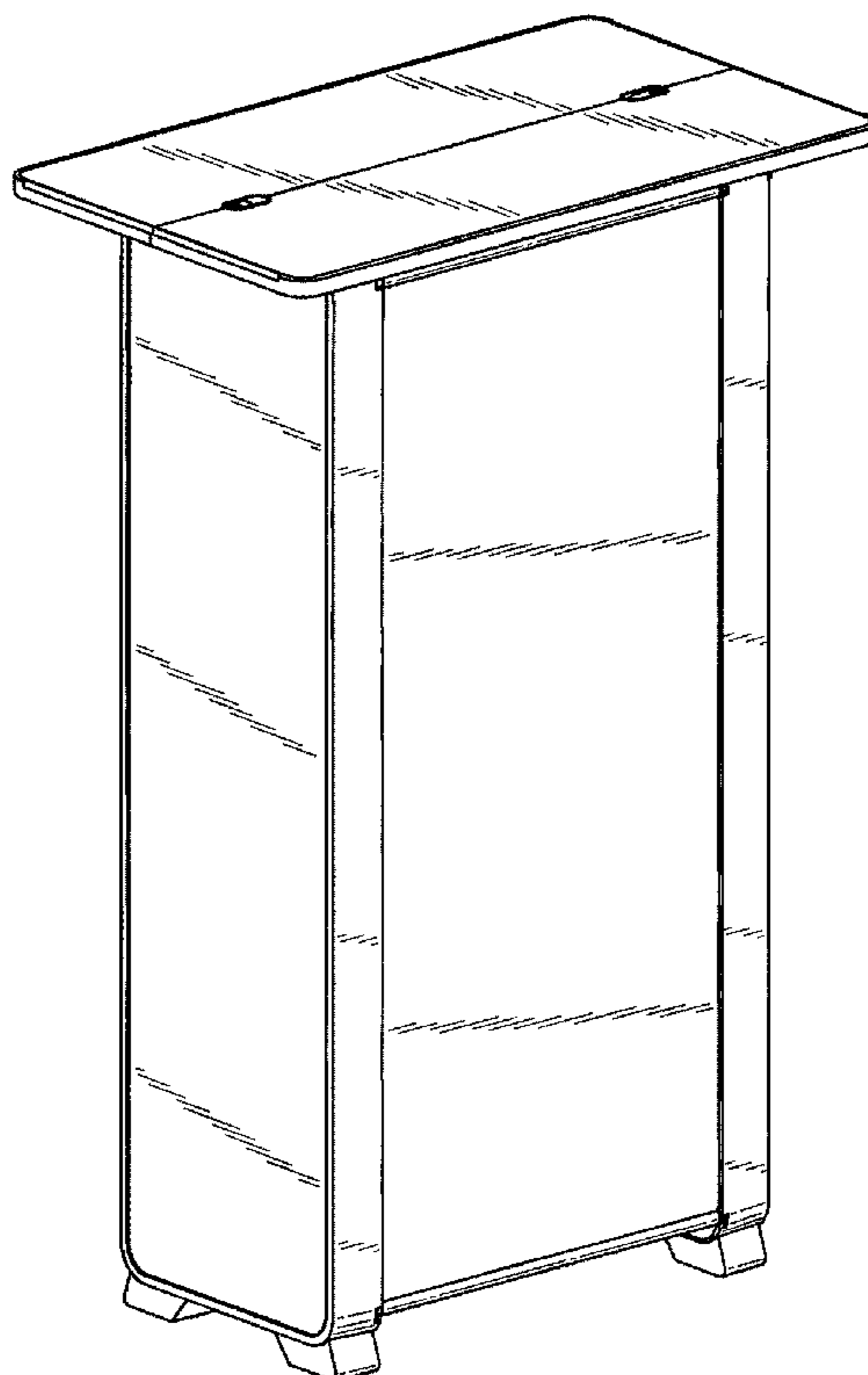
FIG. 5 is a first side view of the transaction table of FIG. 1;

FIG. 6 is a second side view of the transaction table of FIG. 1;

FIG. 7 is a top view of the transaction table of FIG. 1; and,

FIG. 8 is a bottom view of the transaction table of FIG. 1.

1 Claim, 6 Drawing Sheets



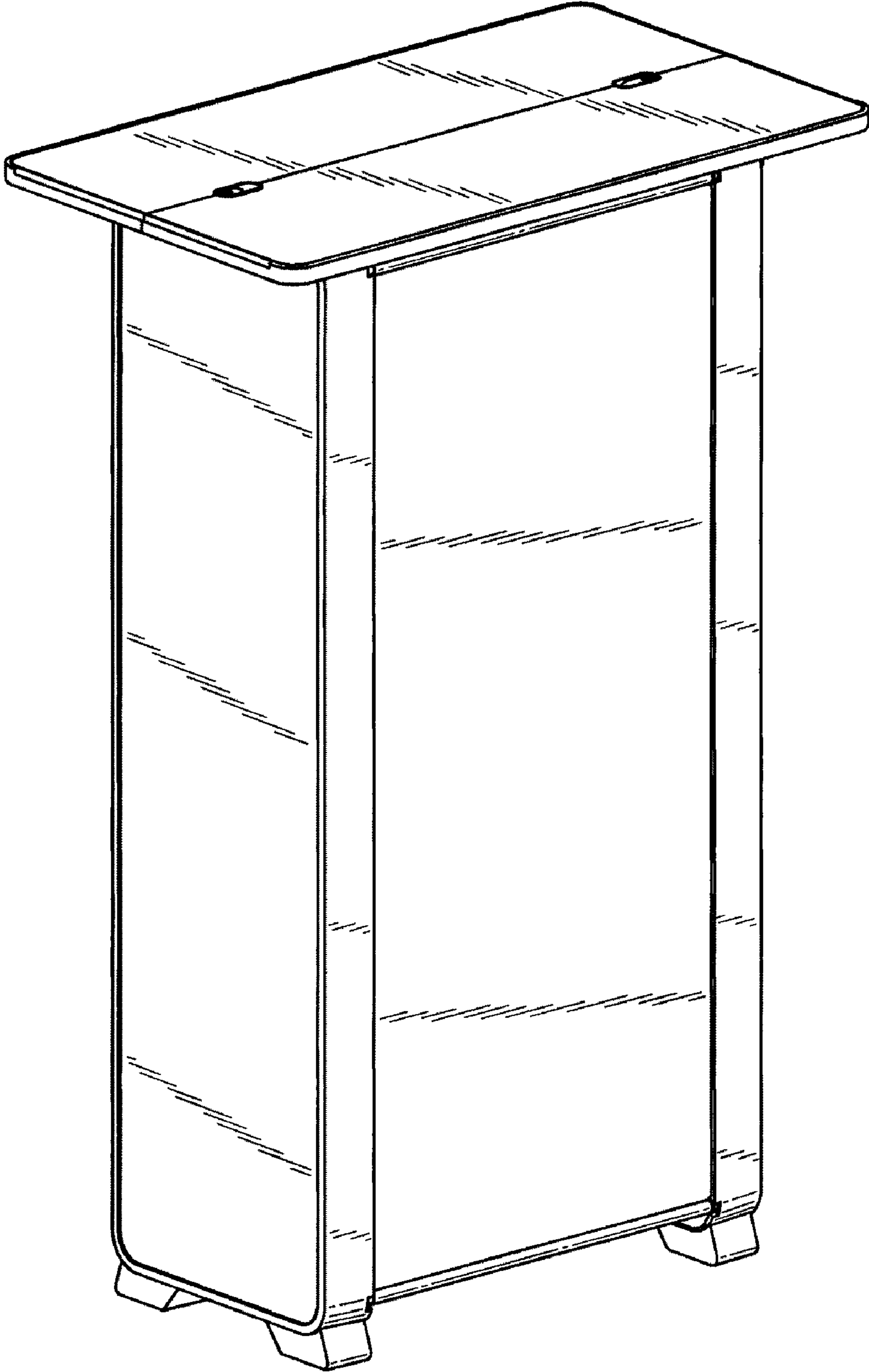


Fig. 1

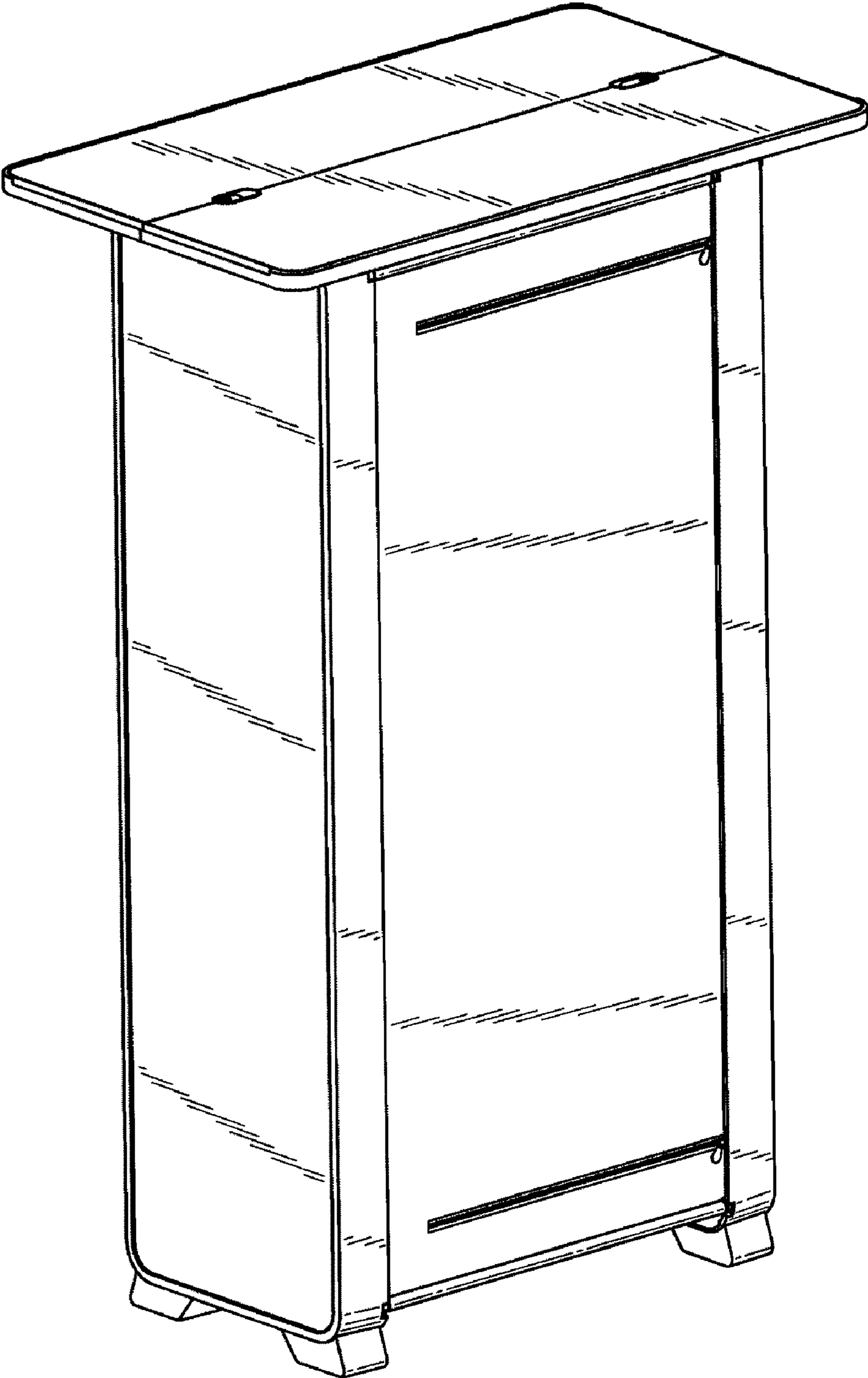


Fig. 2

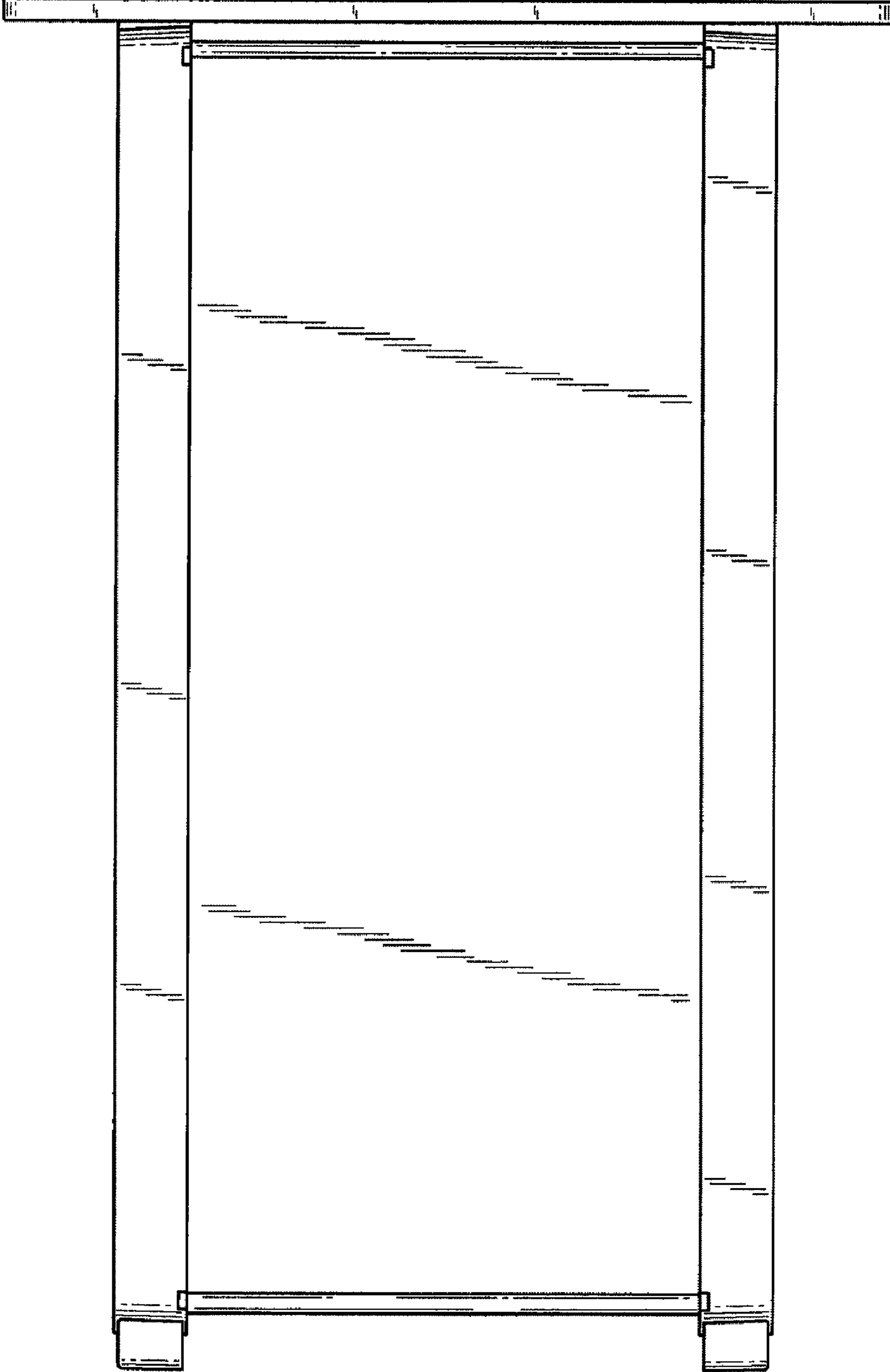


Fig. 3

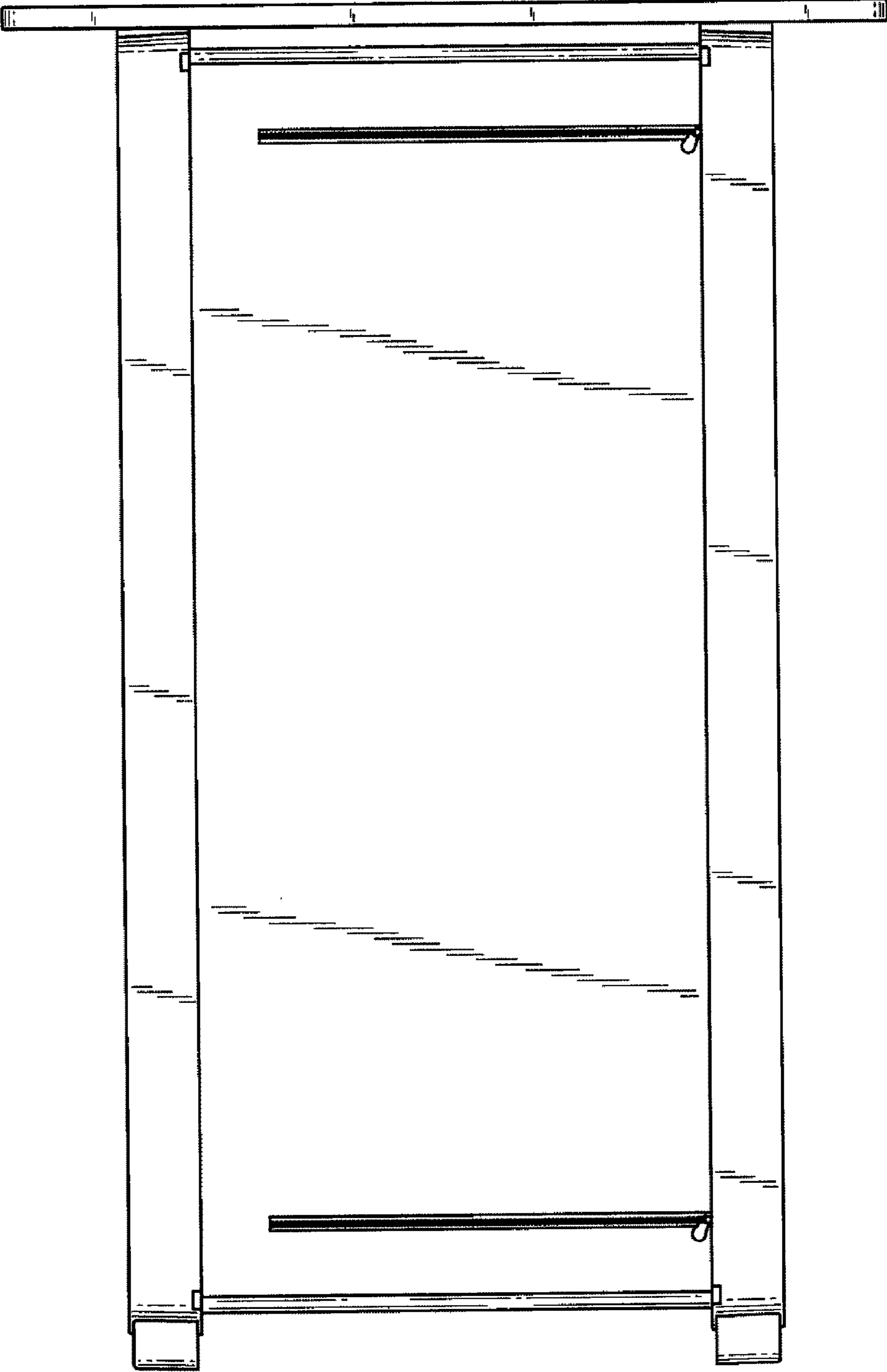


Fig. 4

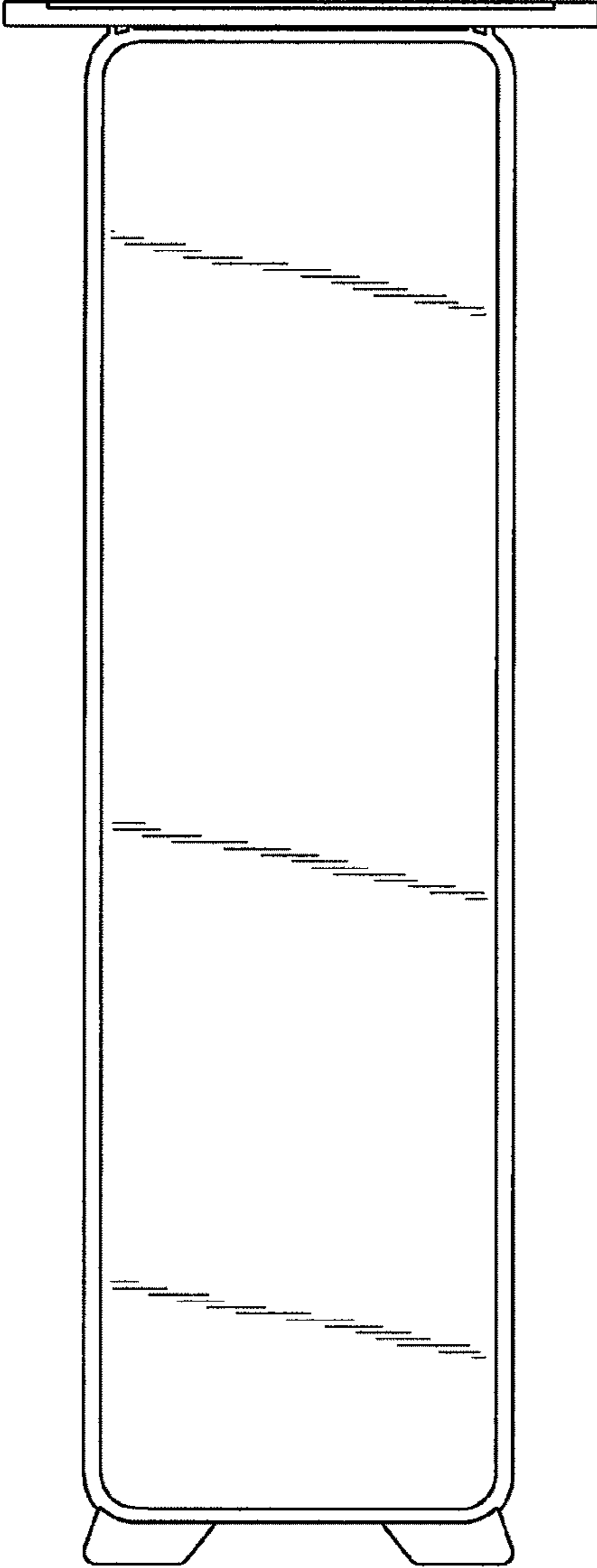


Fig. 5

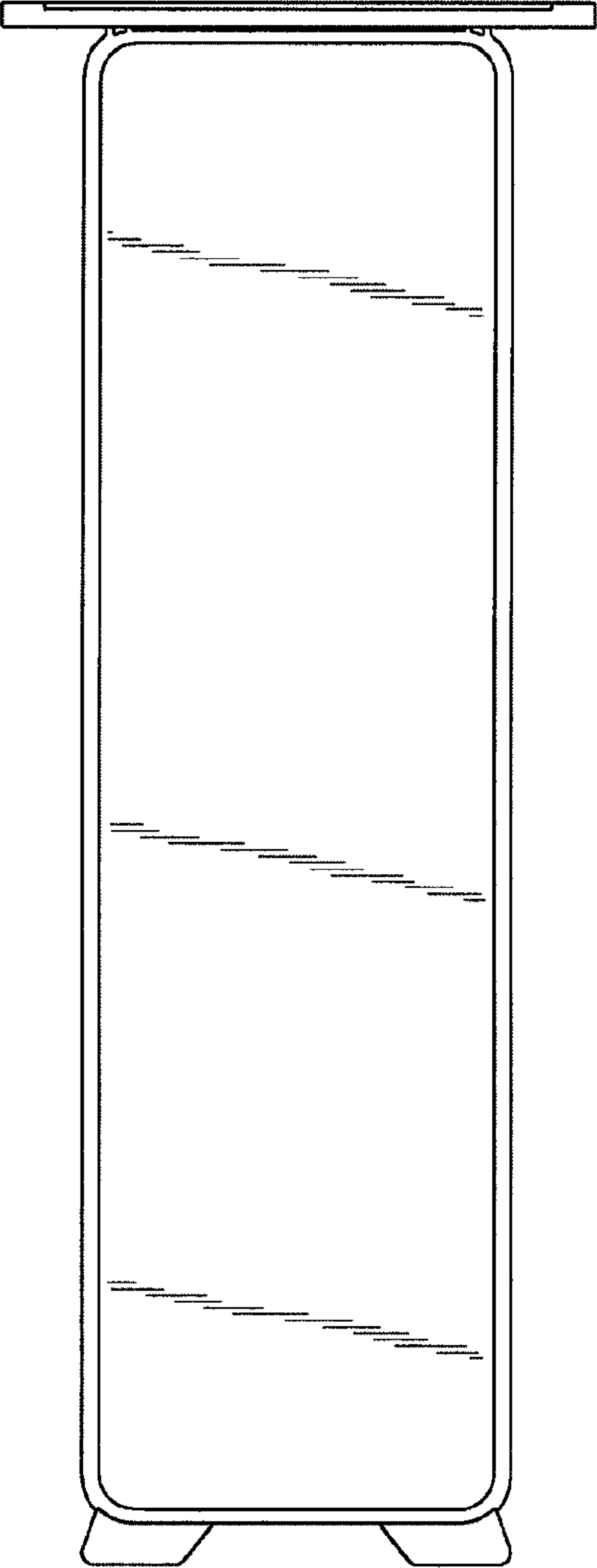


Fig. 6

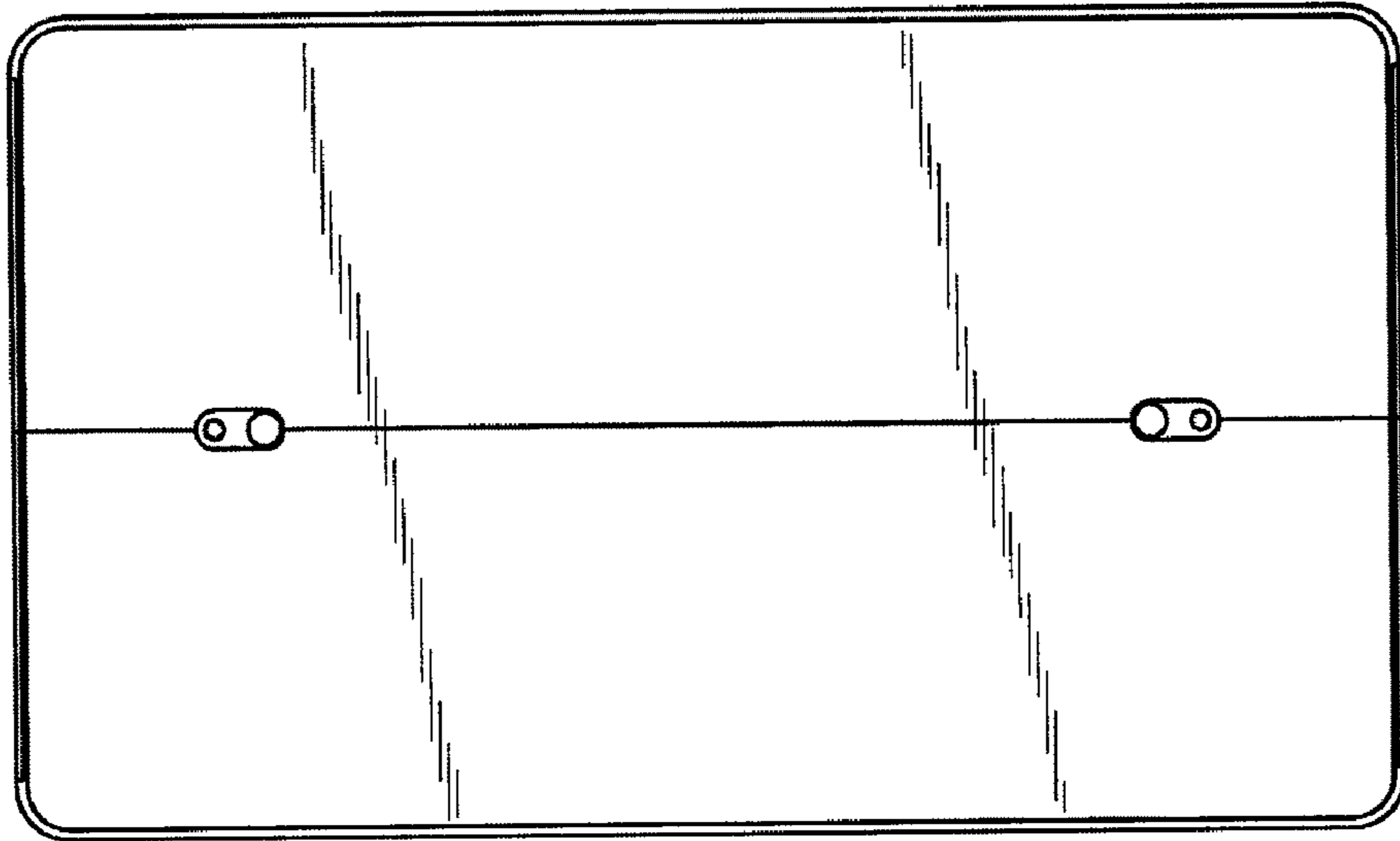


Fig. 7

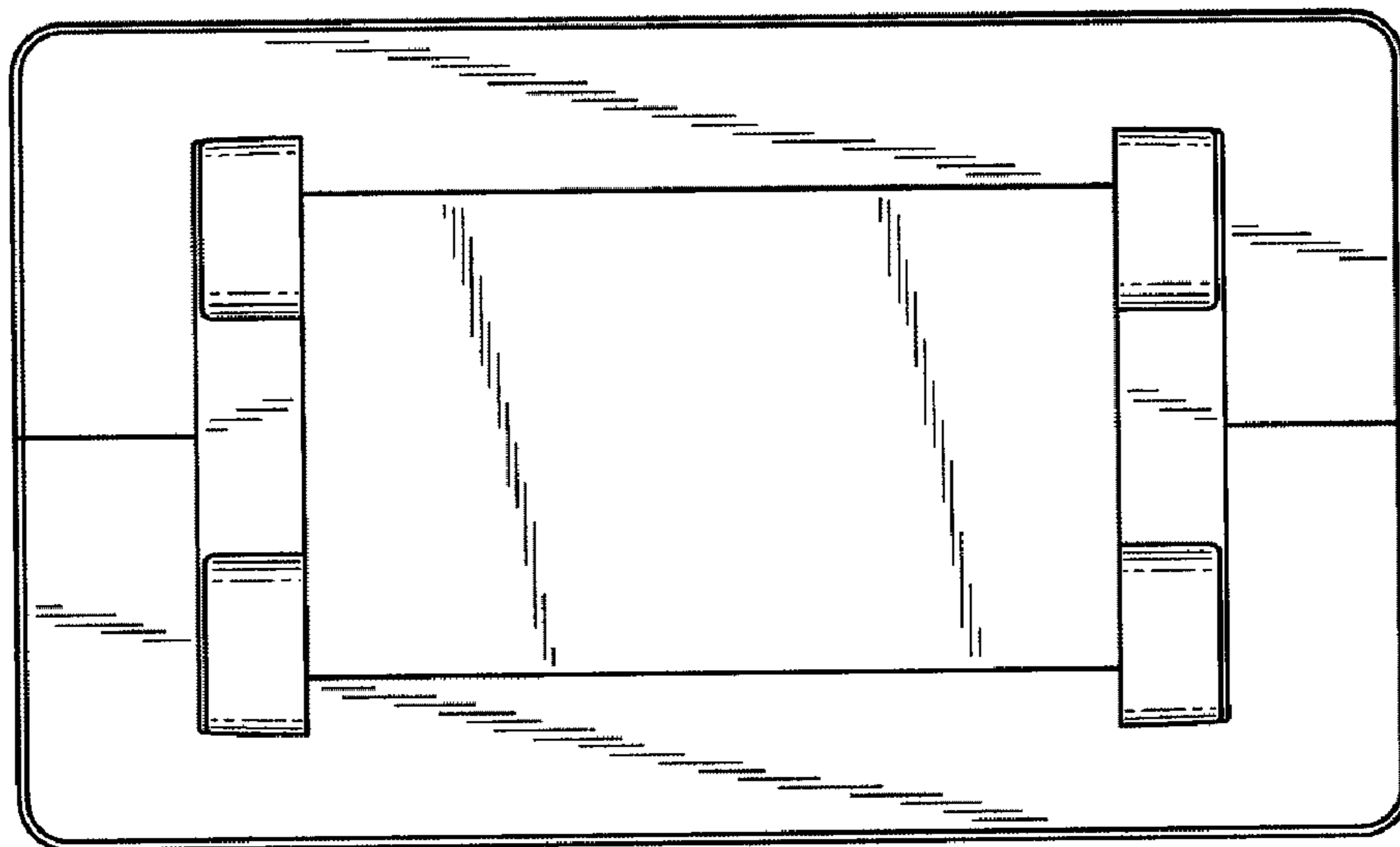


Fig. 8