



US00D646507S

(12) **United States Design Patent**  
**Delmestri**

(10) **Patent No.:** **US D646,507 S**

(45) **Date of Patent:** **\*\* Oct. 11, 2011**

(54) **TABLE**

(76) **Inventor:** **Fabio G. Delmestri**, High Point, NC  
(US)

(\*\*) **Term:** **14 Years**

(21) **Appl. No.:** **29/361,146**

(22) **Filed:** **May 6, 2010**

(51) **LOC (9) Cl.** ..... **06-03**

(52) **U.S. Cl.** ..... **D6/480**

(58) **Field of Classification Search** ..... D6/480-489,  
D6/495-499, 511, 429-431; 248/188, 188.1,  
248/188.8, 440.1; 108/150, 155, 156, 157.1,  
108/161

See application file for complete search history.

(56) **References Cited**

**U.S. PATENT DOCUMENTS**

D330,132 S \* 10/1992 Shields ..... D6/484  
D357,374 S \* 4/1995 Rabe ..... D6/480  
D395,771 S \* 7/1998 Kelly et al. .... D6/480

D406,965 S \* 3/1999 Lewis ..... D6/480  
D468,938 S \* 1/2003 Williams ..... D6/484  
D513,139 S \* 12/2005 Bibi ..... D6/480

\* cited by examiner

*Primary Examiner* — Janice Seeger

(57) **CLAIM**

The ornamental design for a table, as shown and described.

**DESCRIPTION**

FIG. 1 is a top, front, left side perspective view of a table showing my new design;

FIG. 2 is a top plan view thereof;

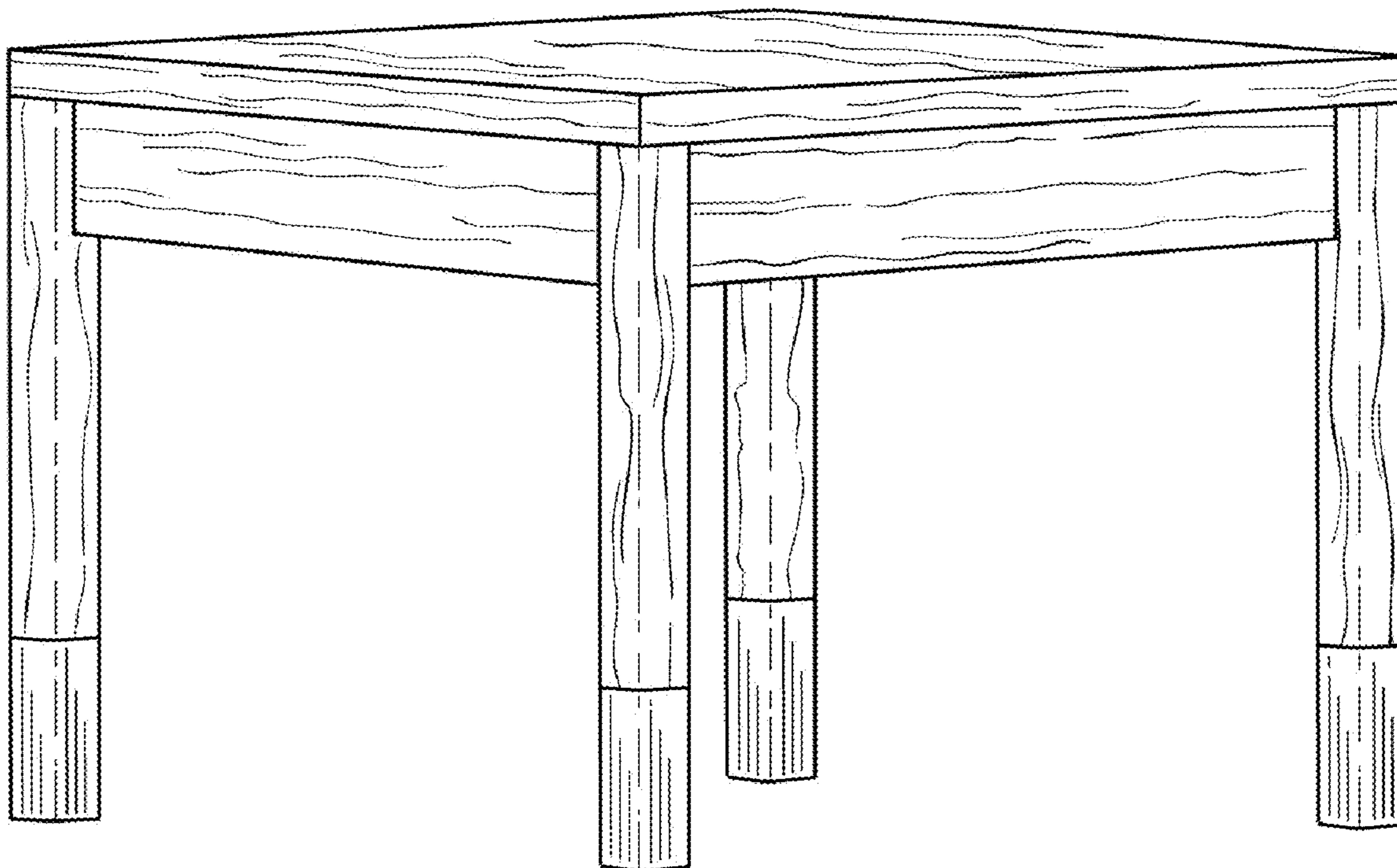
FIG. 3 is a bottom plan view thereof;

FIG. 4 is a front elevational view thereof, the rear elevational view being a mirror image thereof; and,

FIG. 5 is a left side elevational view thereof, the right side elevational view being a mirror image thereof.

The horizontal lines near the bottom of the legs show a change of material from the wood grain above and is a lighter color from the upper part of the table.

**1 Claim, 4 Drawing Sheets**



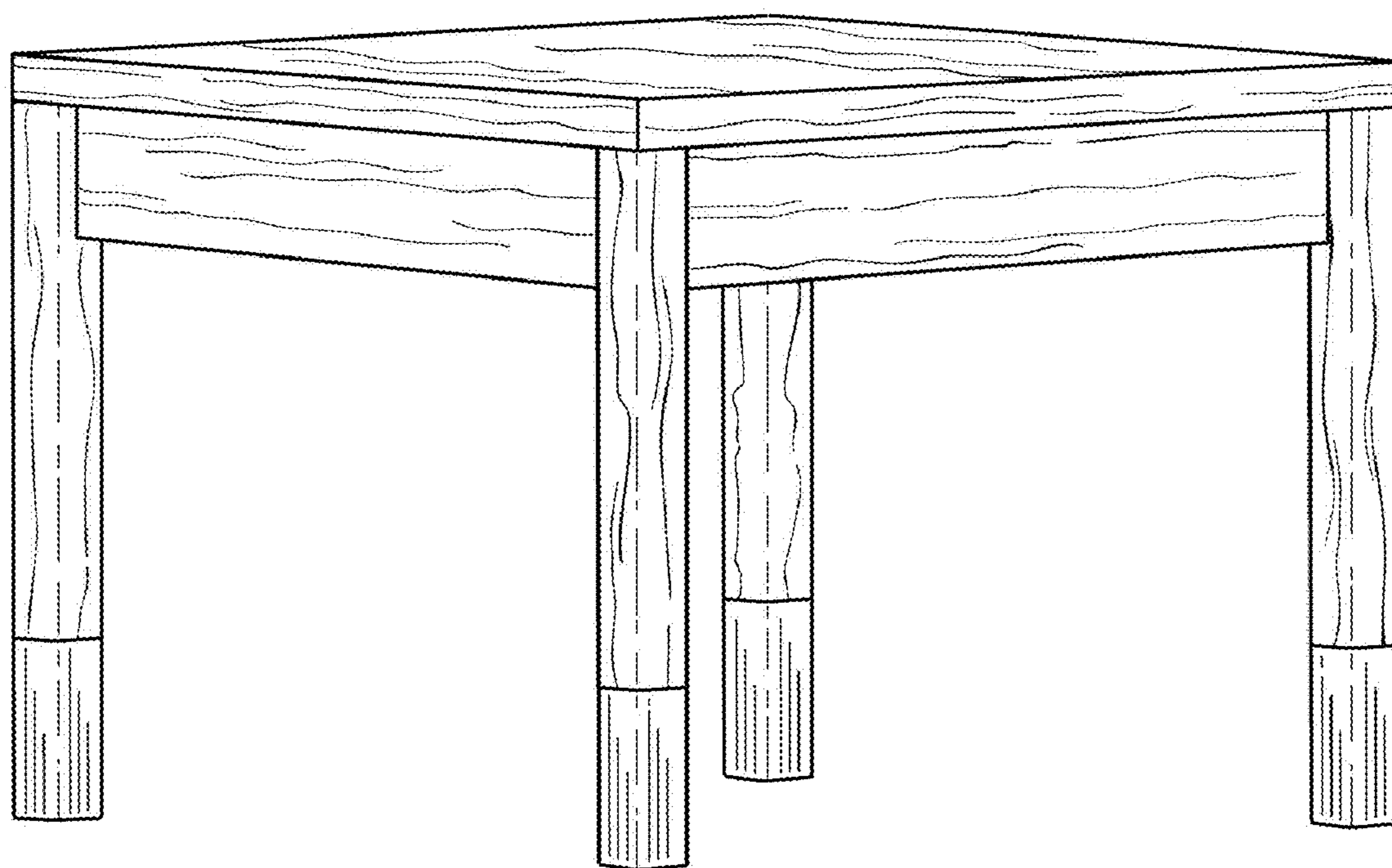


Fig. 1

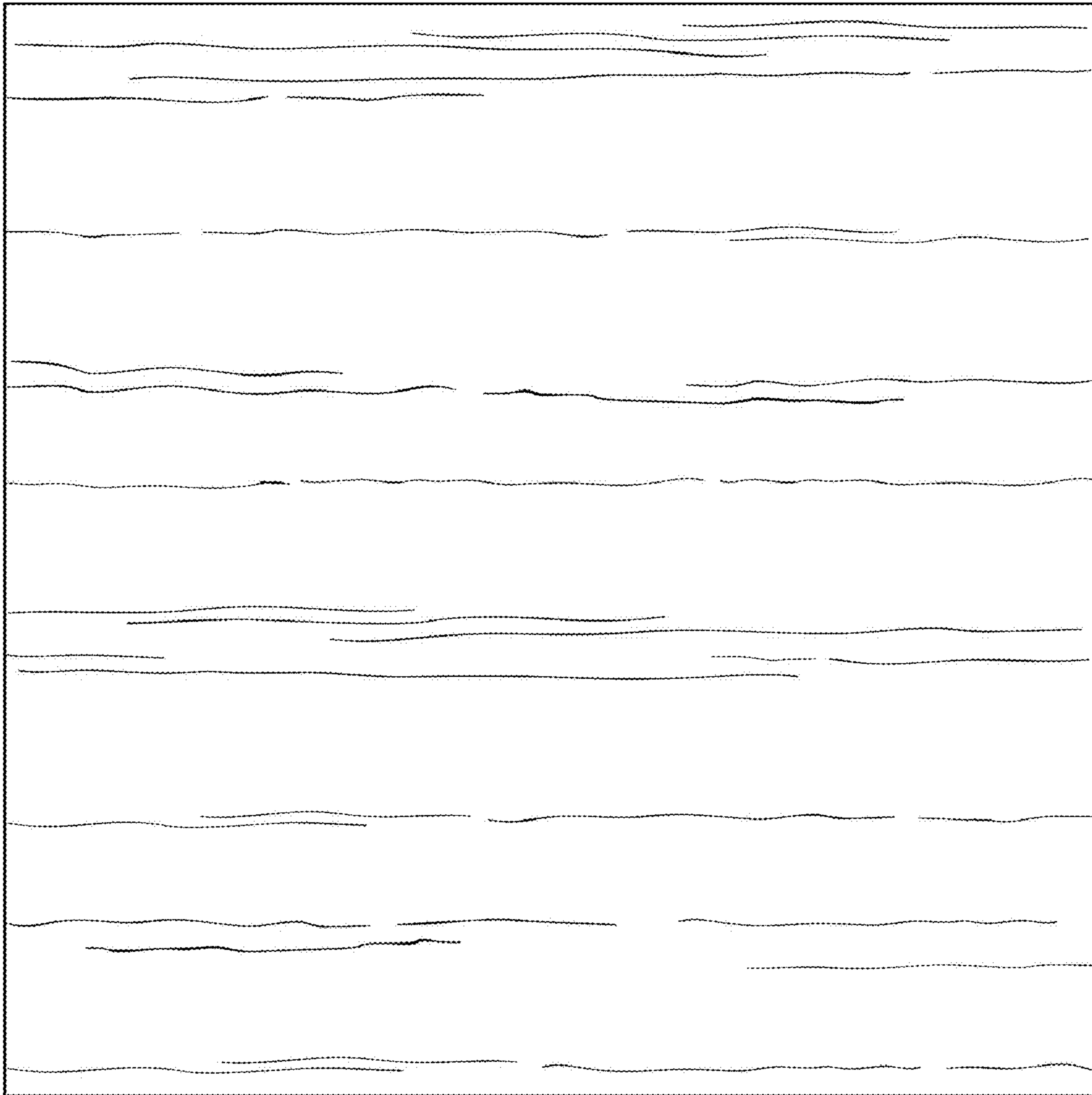


Fig. 2

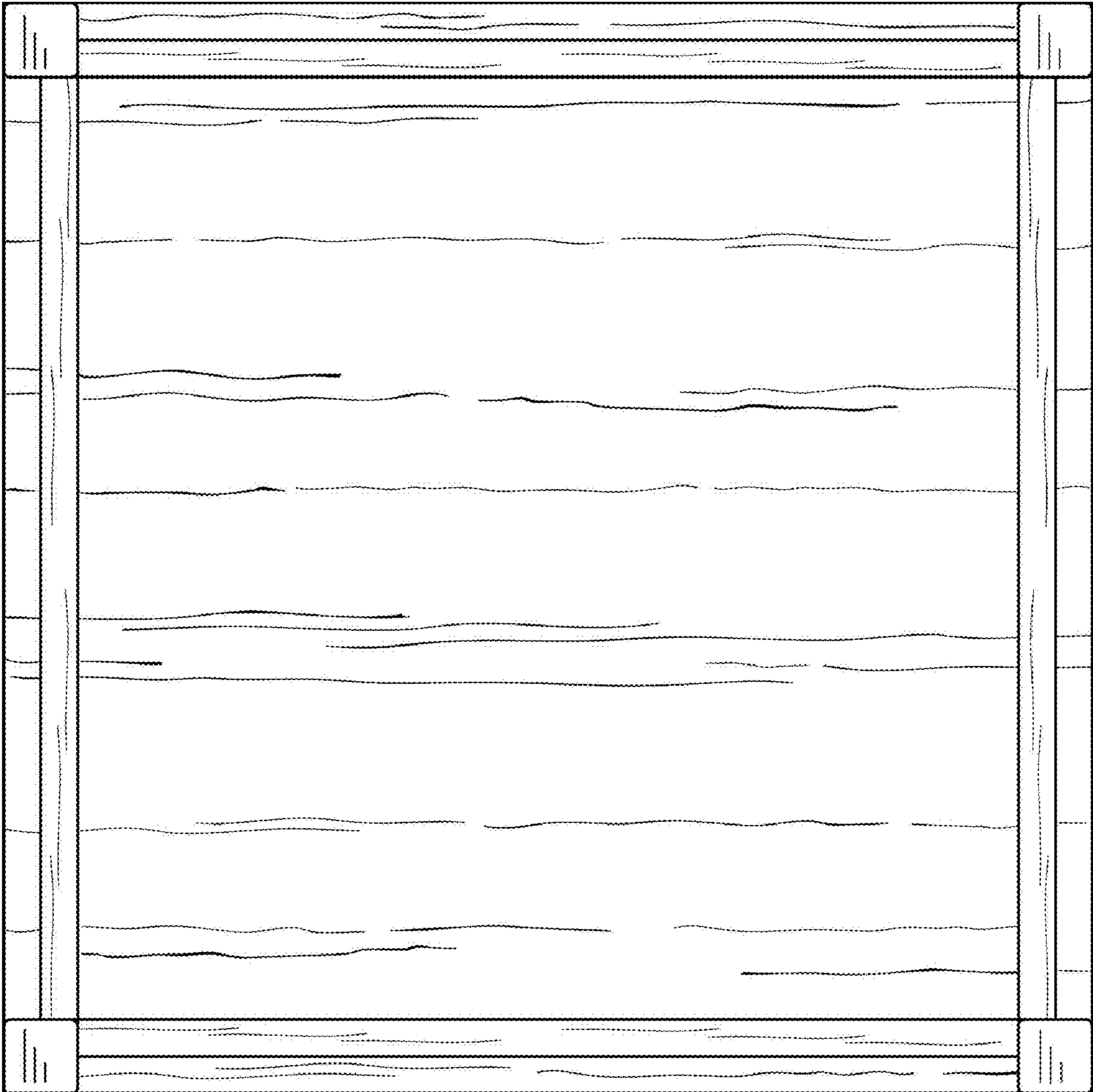


Fig. 3

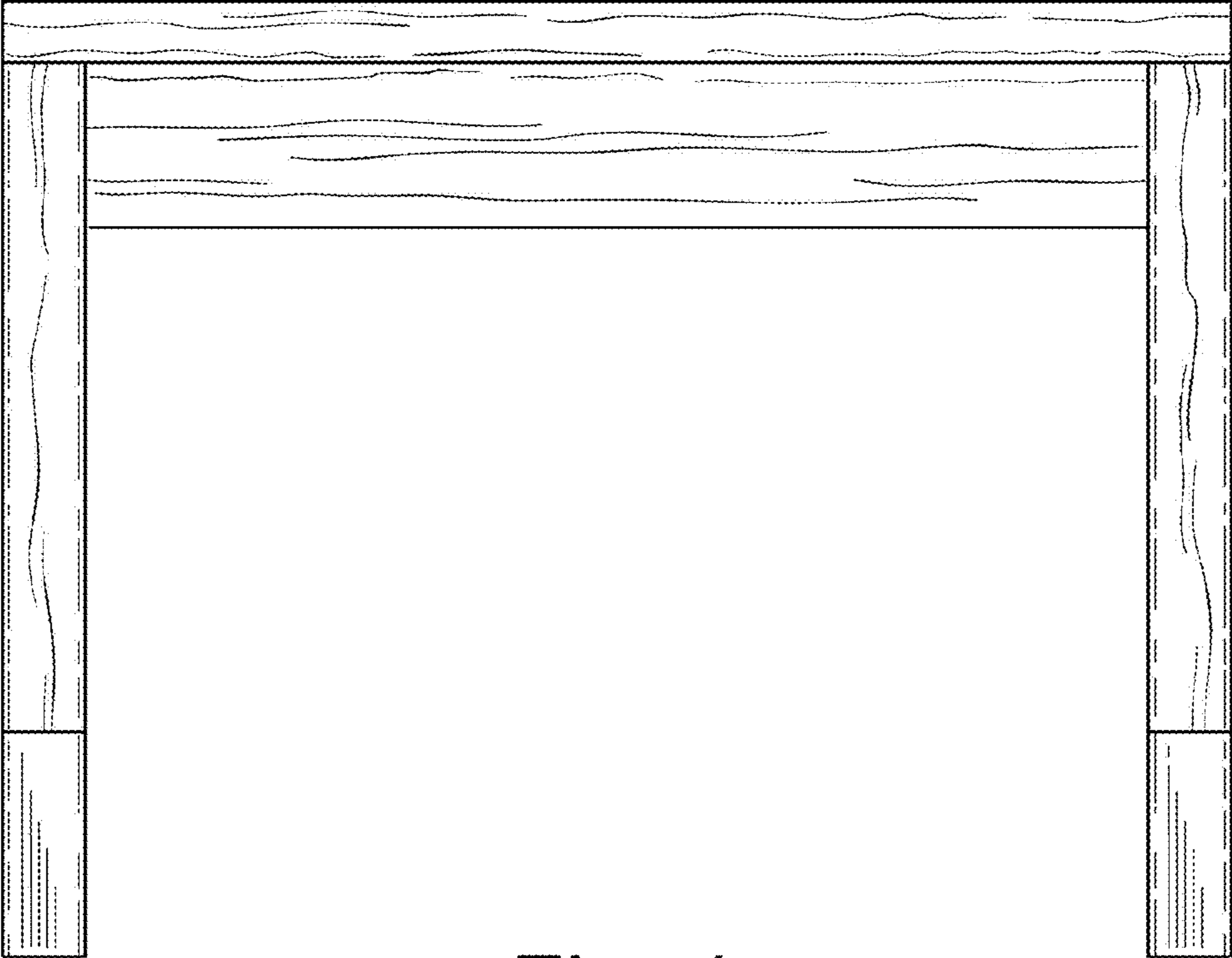


Fig. 4

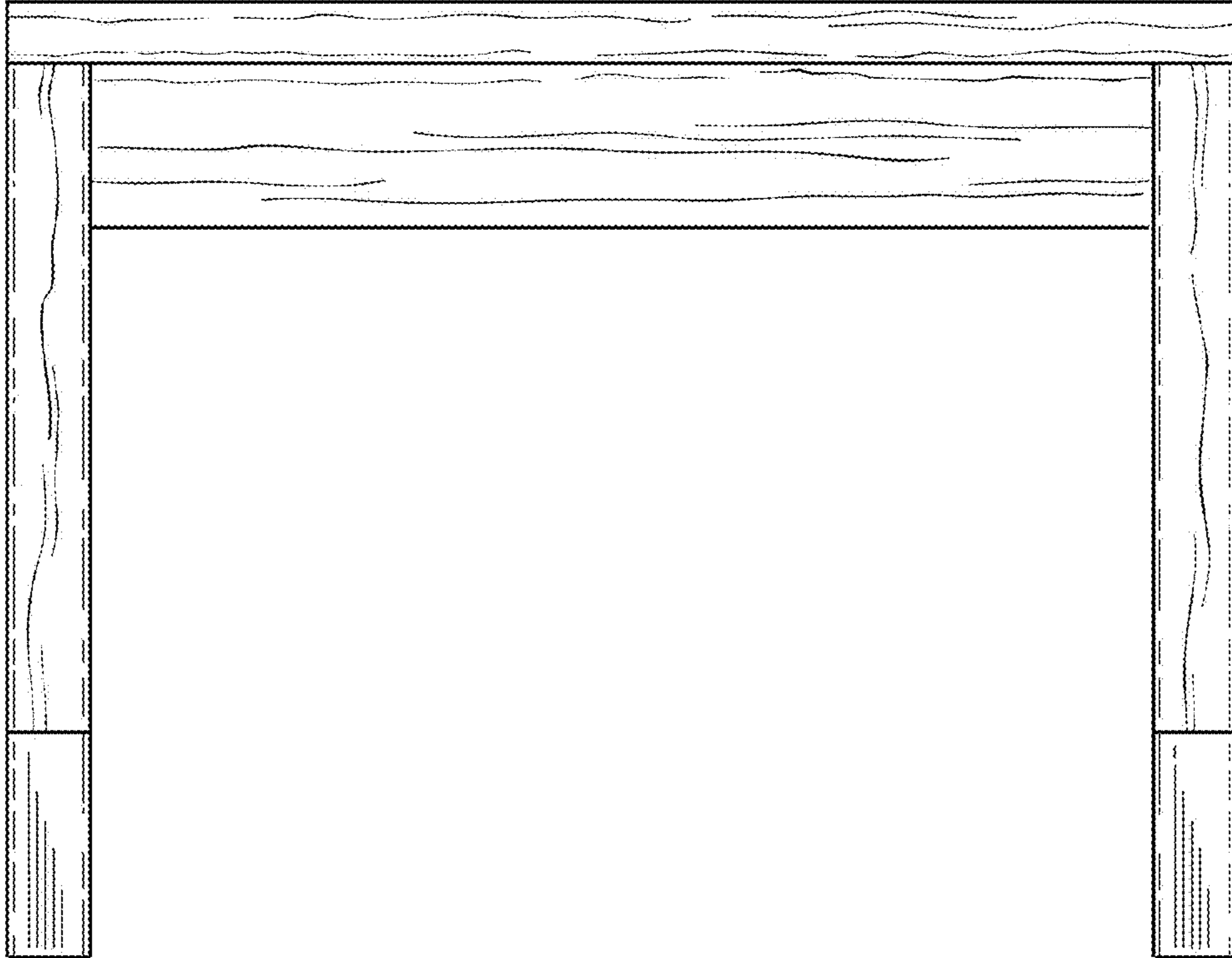


Fig. 5