



US00D646503S

(12) **United States Design Patent**
Fiori

(10) **Patent No.:** **US D646,503 S**
(45) **Date of Patent:** **** Oct. 11, 2011**

(54) **FOOD STORAGE CABINET**

(75) Inventor: **Mark Victor Keefe Fiori**, Jandakot
(AU)

(73) Assignee: **Y-Gen Enterprises Pty Ltd**, Murdoch
(AU)

(**) Term: **14 Years**

(21) Appl. No.: **29/352,565**

(22) Filed: **Dec. 22, 2009**

(30) **Foreign Application Priority Data**

Jun. 26, 2009 (AU) 200912302

(51) **LOC (9) Cl.** **06-06**

(52) **U.S. Cl.** **D6/436**

(58) **Field of Classification Search** D6/396-397,
D6/432, 434, 436-448, 470-472, 475-478;
D34/14, 19-21; 312/107, 114, 117, 204-205,
312/225, 237, 257.1

See application file for complete search history.

(56) **References Cited**

U.S. PATENT DOCUMENTS

2,981,549	A *	4/1961	Hotton	280/47.35
D249,610	S *	9/1978	Burton	D6/436
4,120,549	A *	10/1978	Bureau	312/249.12
D286,819	S *	11/1986	Cohn	D34/19
4,811,999	A *	3/1989	Remington et al.	312/249.8
D311,080	S *	10/1990	Arnott et al.	D34/21
D349,594	S *	8/1994	Bonazza	D34/20
D400,676	S *	11/1998	Good	D34/21
D414,649	S *	10/1999	King	D7/339
D423,817	S *	5/2000	Holcomb et al.	D6/445
D427,807	S *	7/2000	Holcomb et al.	D6/445

D444,930	S *	7/2001	Brown	D34/19
D523,607	S *	6/2006	Huguet	D34/21
D531,835	S *	11/2006	Harwanko	D6/437
D535,452	S *	1/2007	Lim et al.	D34/19
D546,017	S *	7/2007	Wise	D34/19
7,296,808	B2 *	11/2007	Huguet	280/47.34
D576,822	S *	9/2008	Hynes	D6/470
D579,688	S *	11/2008	Martinez et al.	D6/436
D587,034	S *	2/2009	Martin et al.	D6/436
D601,137	S *	9/2009	Koh	D14/308
D613,521	S *	4/2010	Foye	D6/436
D615,208	S *	5/2010	Keffeler et al.	D24/185
2007/0290583	A1 *	12/2007	Fiscus et al.	312/107

* cited by examiner

Primary Examiner — Elizabeth Albert

Assistant Examiner — Kelley Donnelly

(74) *Attorney, Agent, or Firm* — Venable LLP; Robert Kinberg; Leigh D. Thelen

(57) **CLAIM**

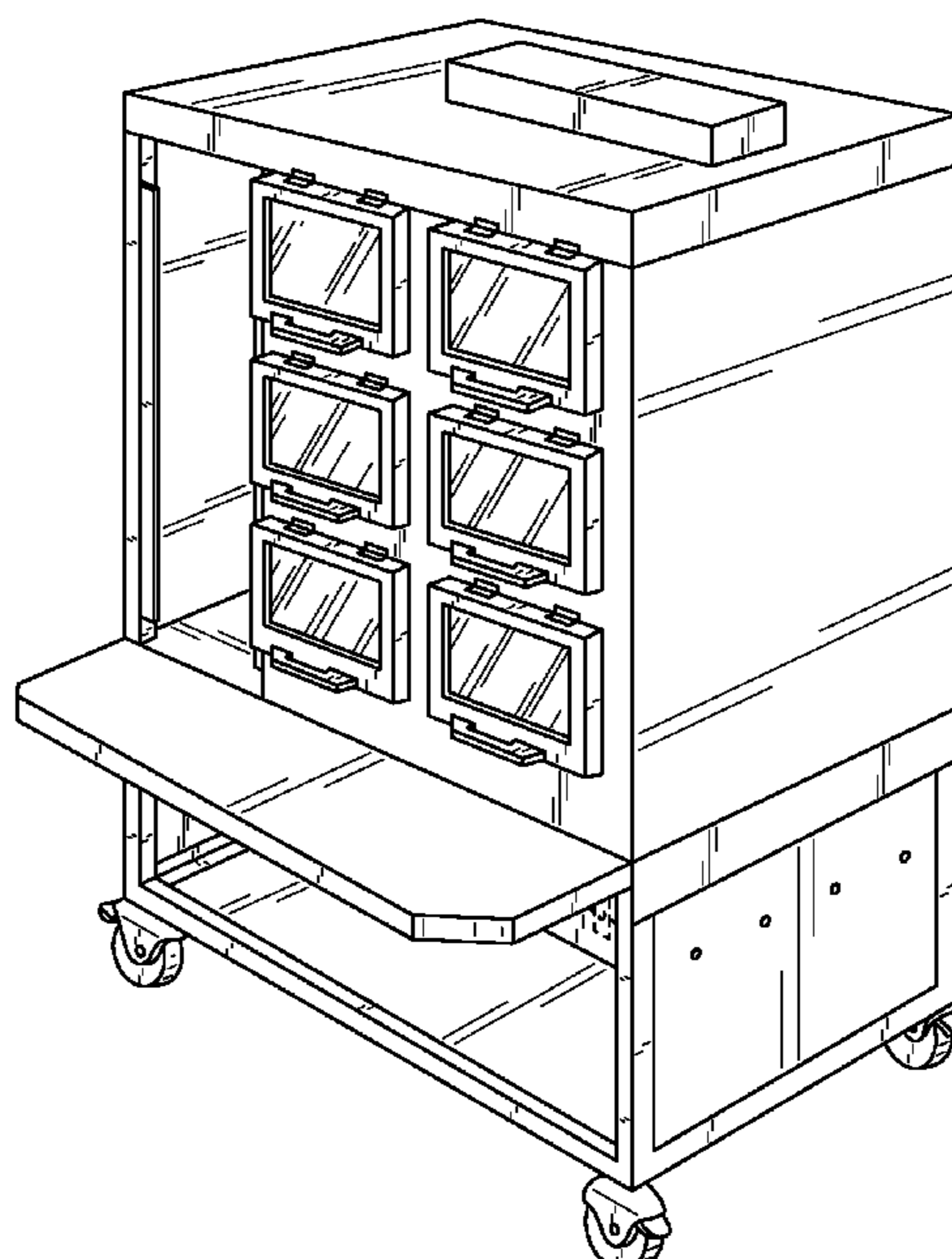
The ornamental design for an food storage cabinet, as shown and described.

DESCRIPTION

FIG. 1 is a top, right, perspective view of a food storage cabinet according to the present invention;
FIG. 2 is a bottom, left perspective view thereof;
FIG. 3 is a front view thereof;
FIG. 4 is a back view thereof;
FIG. 5 is a right side view thereof;
FIG. 6 is a left side view thereof;
FIG. 7 is a top view thereof; and,
FIG. 8 is a bottom view thereof.

The broken lines showing in FIGS. 1 and 3 are for the purpose of illustrating the environment of the design only and form no part of the claimed design.

1 Claim, 5 Drawing Sheets



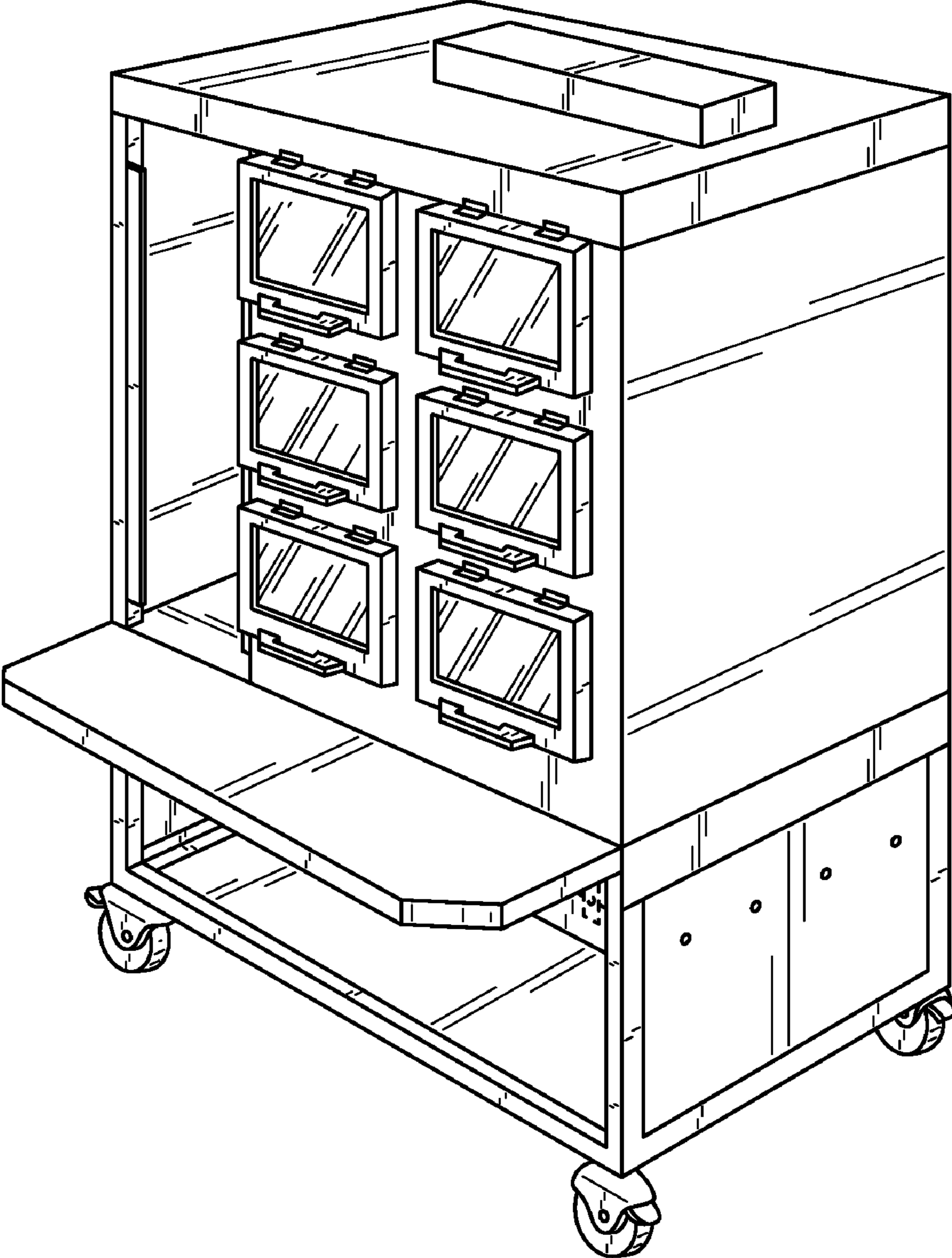


FIG. 1

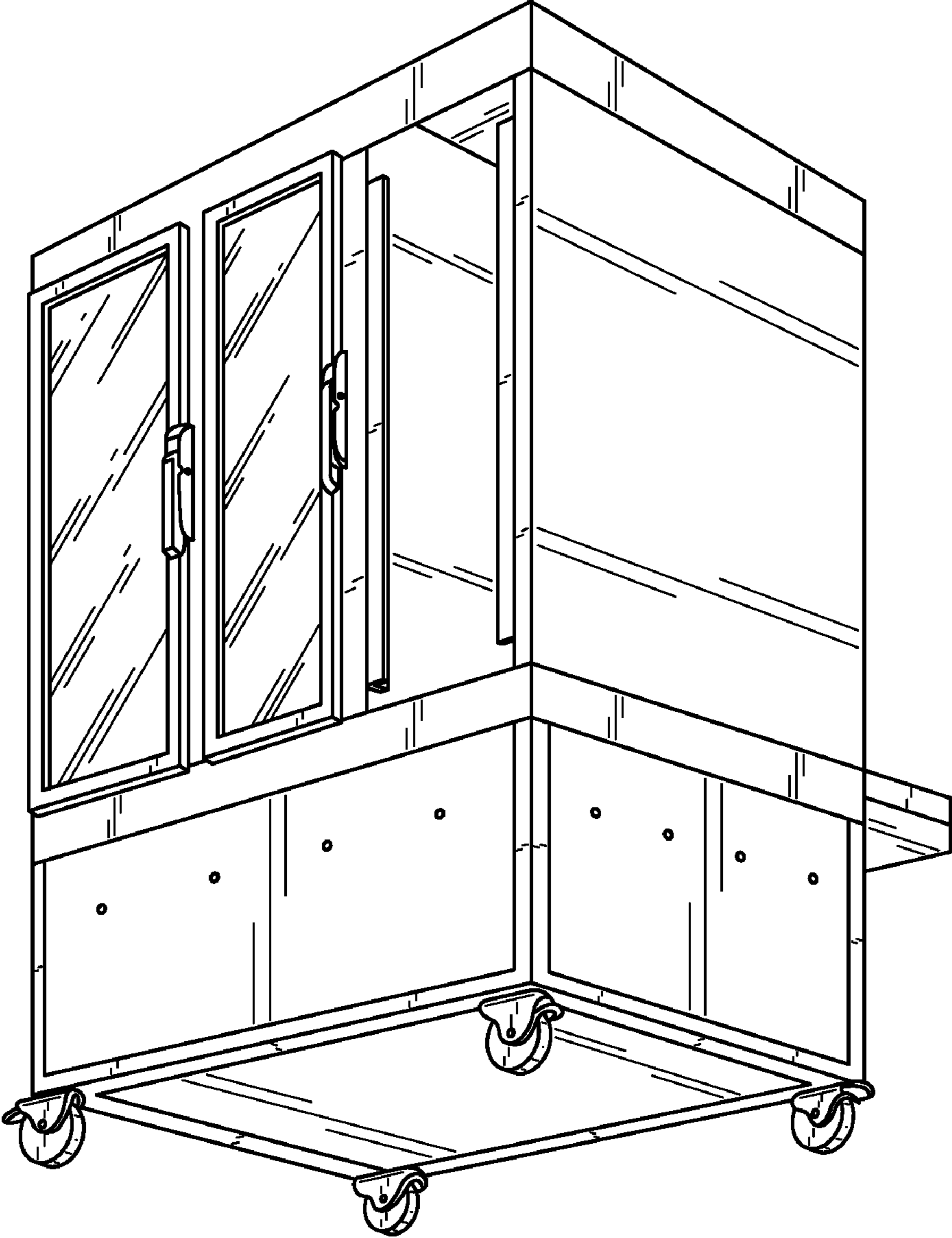


FIG. 2

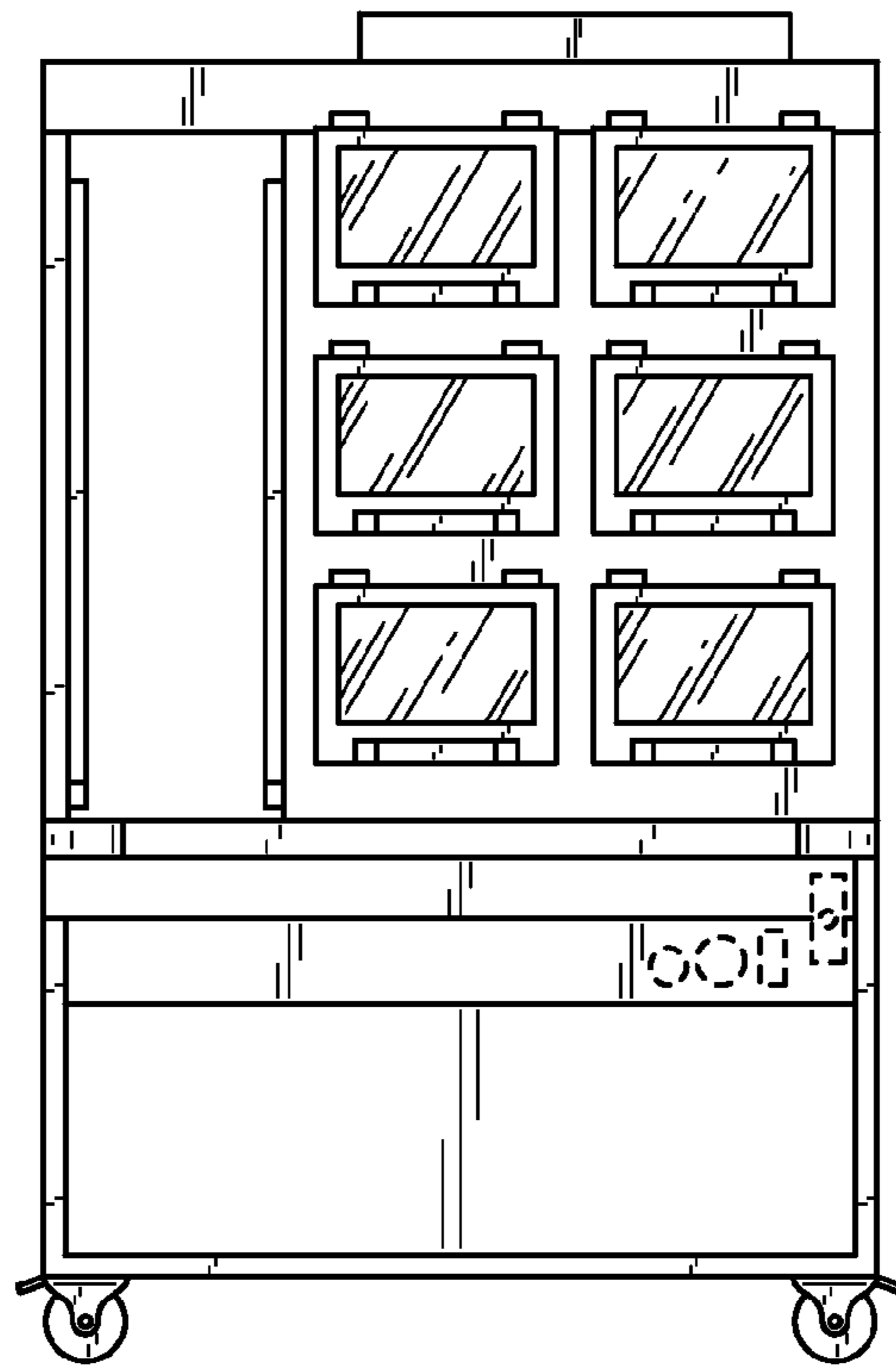


FIG. 3

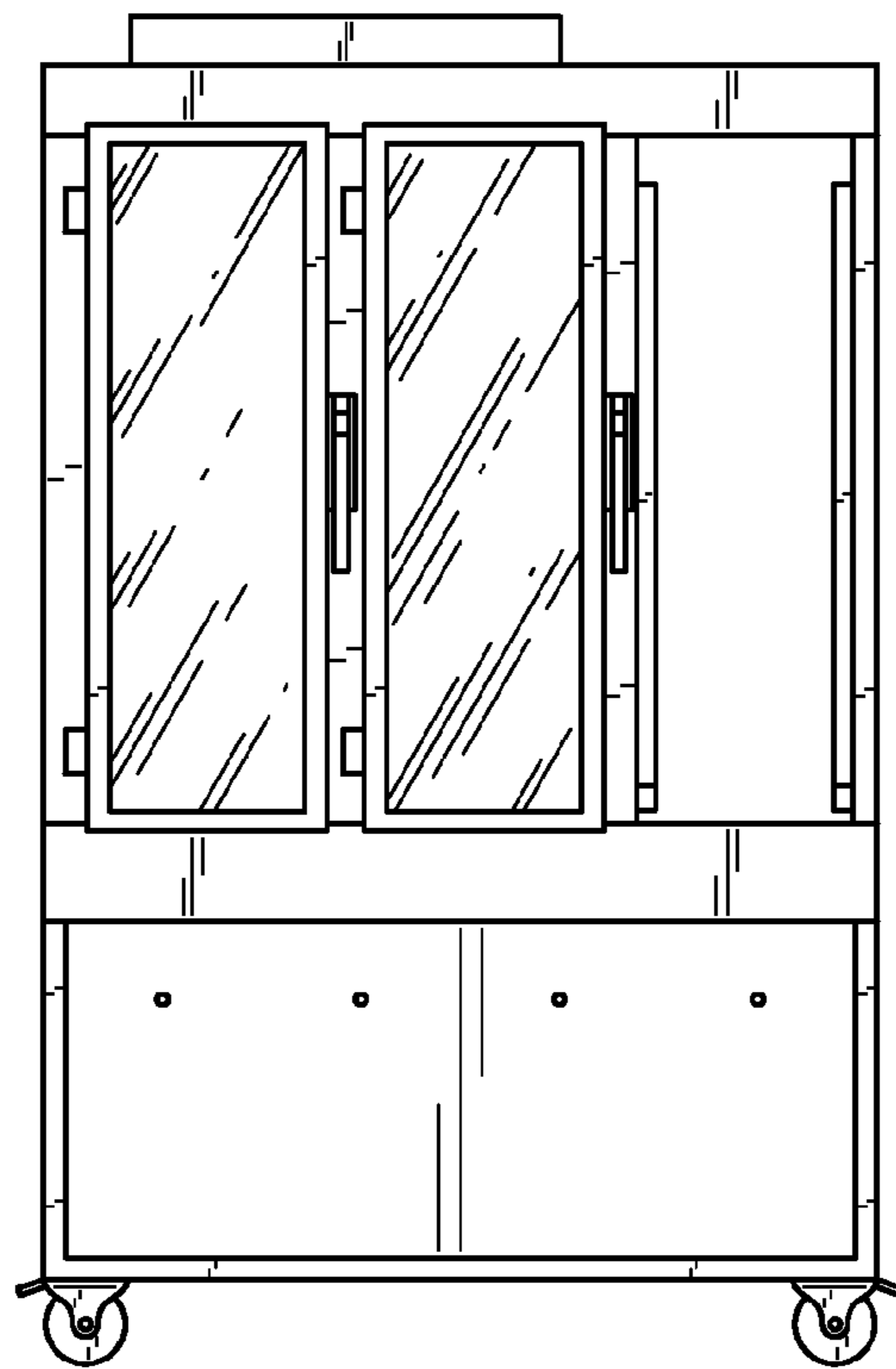


FIG. 4

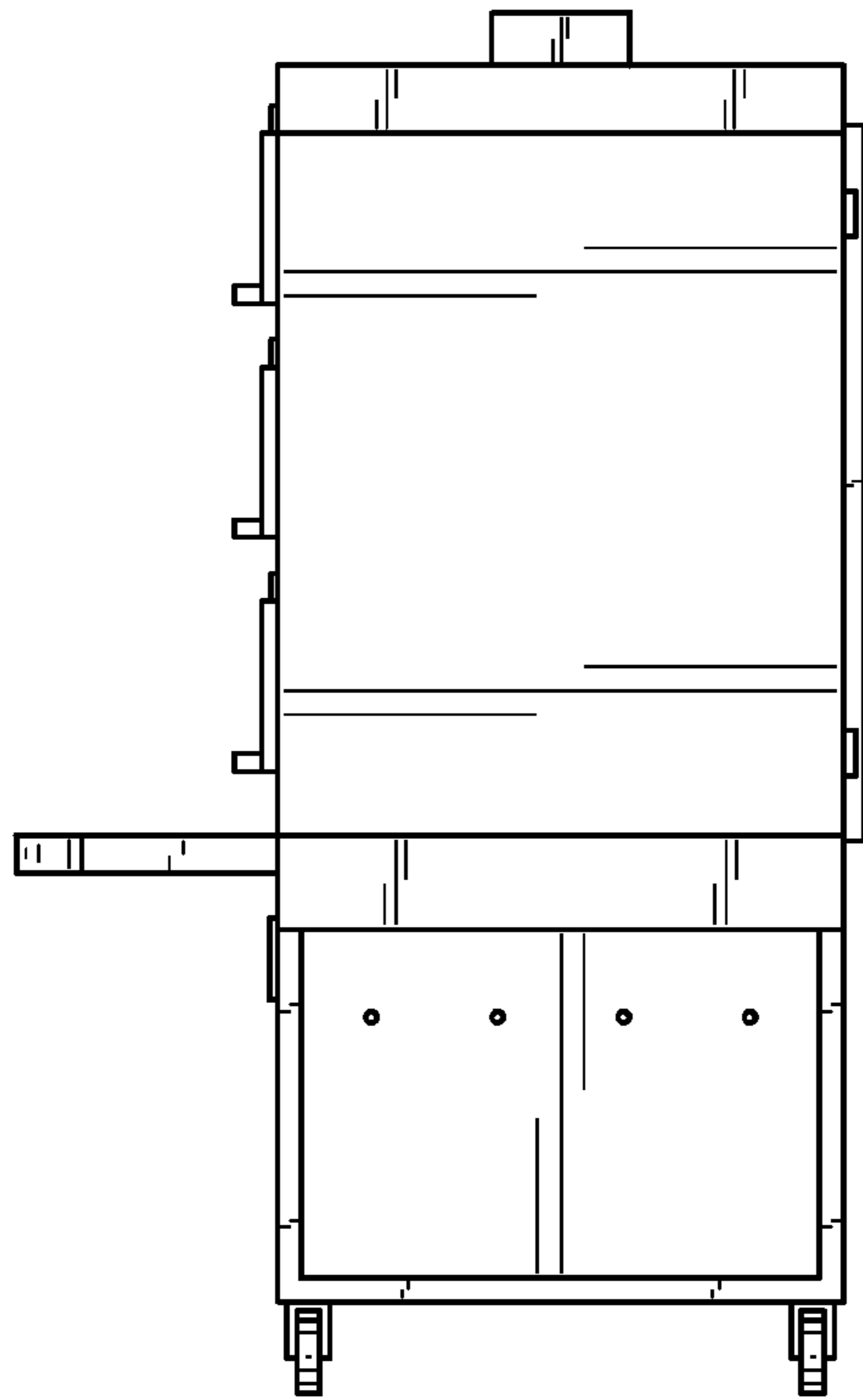


FIG. 5

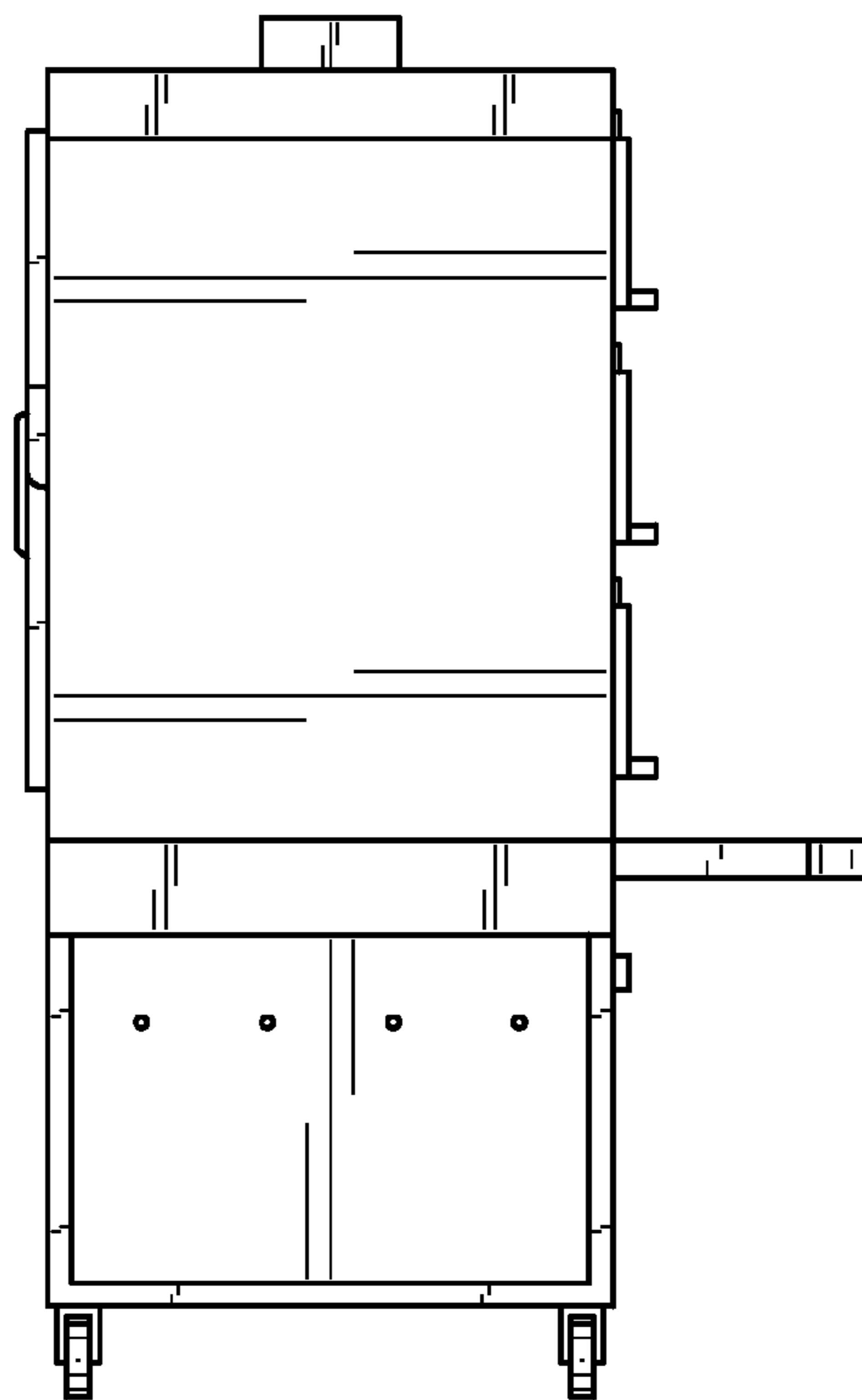


FIG. 6

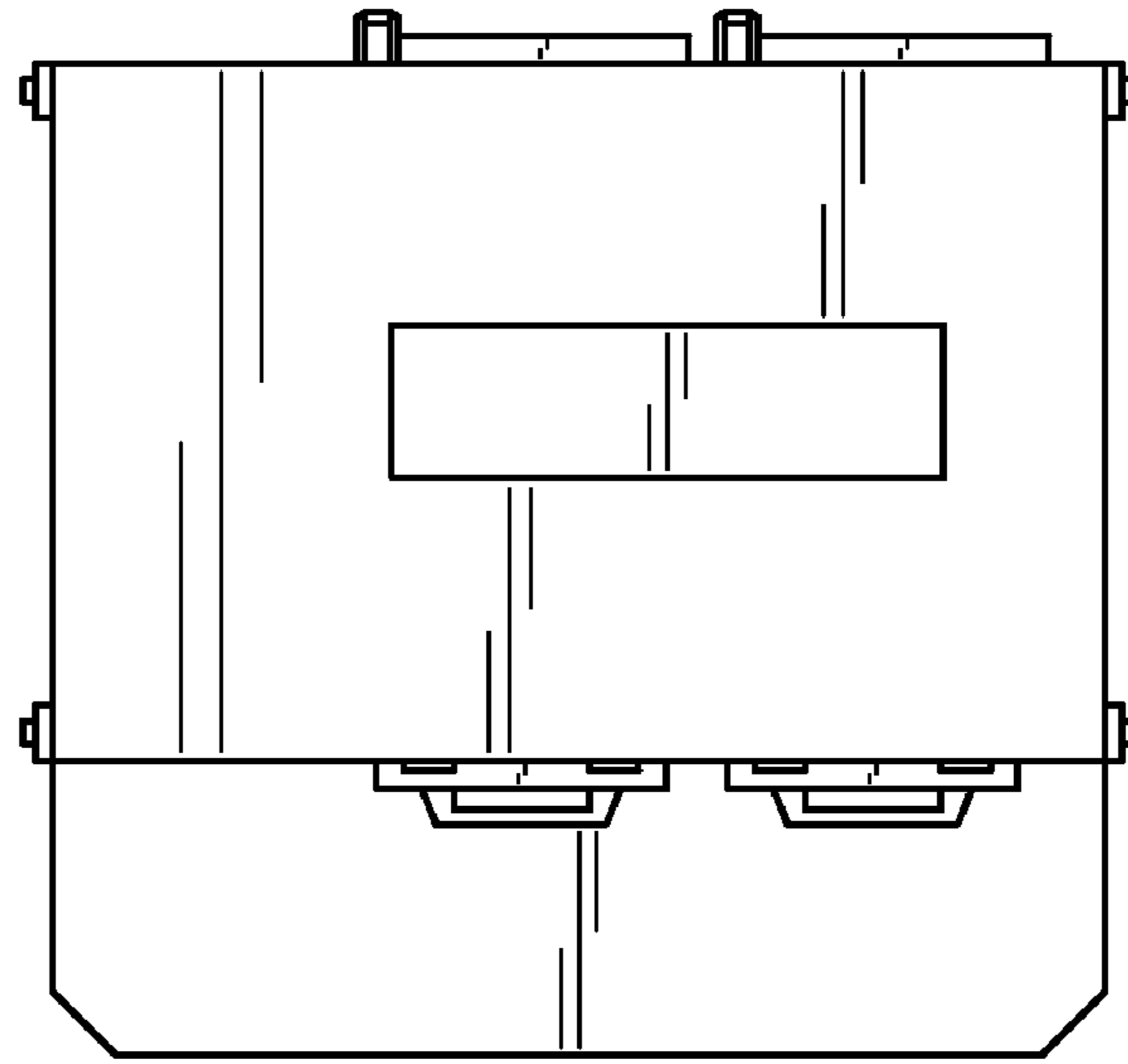


FIG. 7

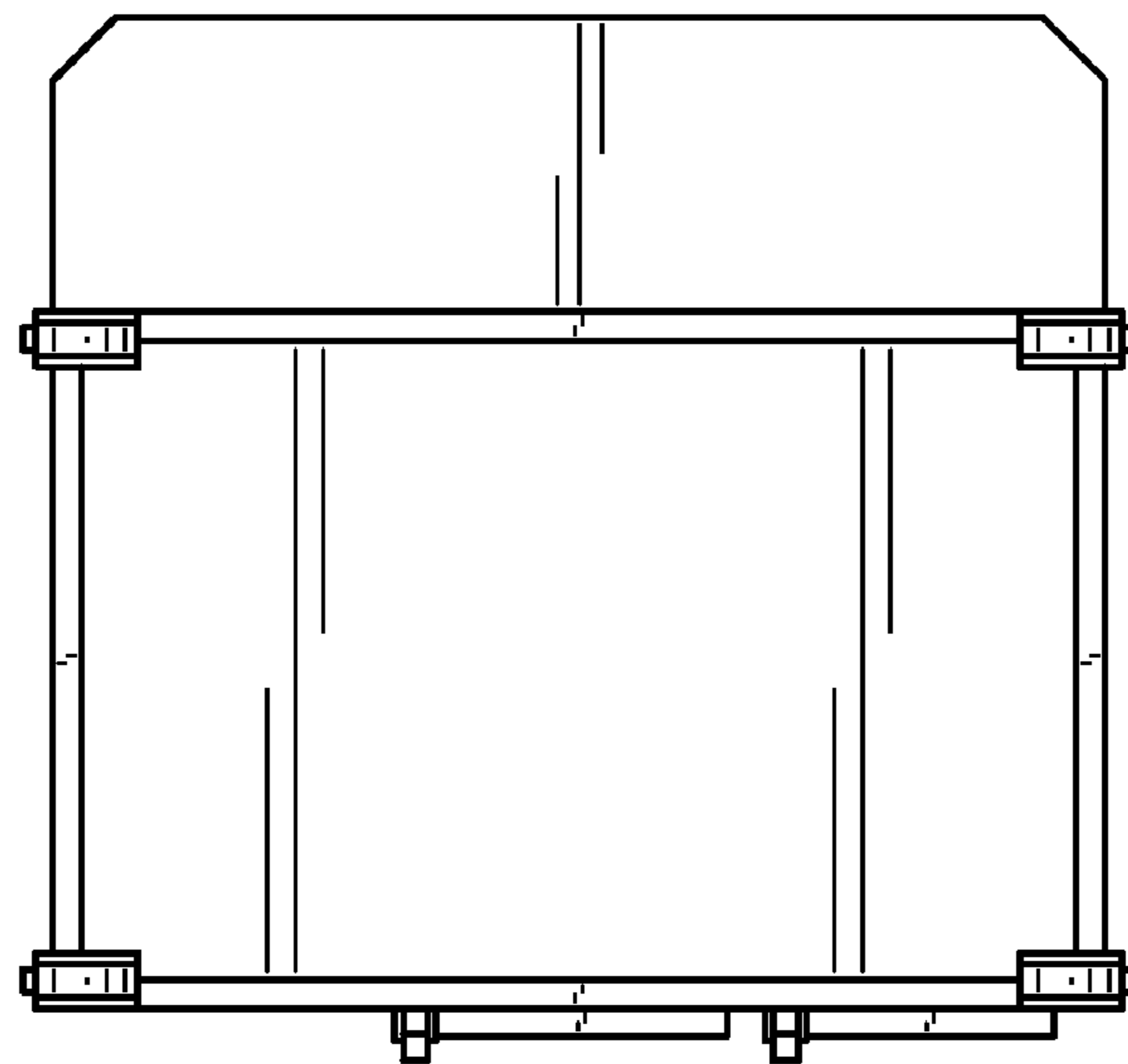


FIG. 8