



US00D646502S

(12) **United States Design Patent**
Pazhoor

(10) **Patent No.:** **US D646,502 S**
(45) **Date of Patent:** **** Oct. 11, 2011**

(54) **HANDICAPPED ACCESSIBLE PORTABLE VOTING BOOTH**

D616,667 S * 6/2010 Pazhoor D6/421
D616,668 S * 6/2010 Pazhoor D6/421
D622,975 S * 9/2010 Abel et al. D6/421

(75) Inventor: **Mohamed Pazhoor**, West Palm Beach, FL (US)

* cited by examiner

(73) Assignee: **Naztec International Group, LLC**, West Palm Beach, FL (US)

Primary Examiner — Janice Seeger

(74) *Attorney, Agent, or Firm* — McHale & Slavin, P.A.

(**) Term: **14 Years**

(57) **CLAIM**

The ornamental design for a handicapped accessible portable voting booth, as shown and described.

(21) Appl. No.: **29/355,765**

DESCRIPTION

(22) Filed: **Feb. 12, 2010**

(51) **LOC (9) Cl.** **06-03**

(52) **U.S. Cl.** **D6/421**

(58) **Field of Classification Search** D6/421-428, D6/429, 487; 312/194-196, 198; 108/50.01, 108/50.02, 60; 235/51, 50 R; 52/36.1, 36.4
See application file for complete search history.

FIG. 1 is a front perspective view of the handicapped accessible portable voting booth of the instant invention;
FIG. 2 is a front view thereof;
FIG. 3 is a rear view thereof;
FIG. 4 is a right side view thereof;
FIG. 5 is a left side view thereof;
FIG. 6 is a top view thereof;
FIG. 7 is a bottom view thereof; and,
FIG. 8 is a perspective view of multiple handicapped accessible portable voting booths of the instant invention in a nested configuration.

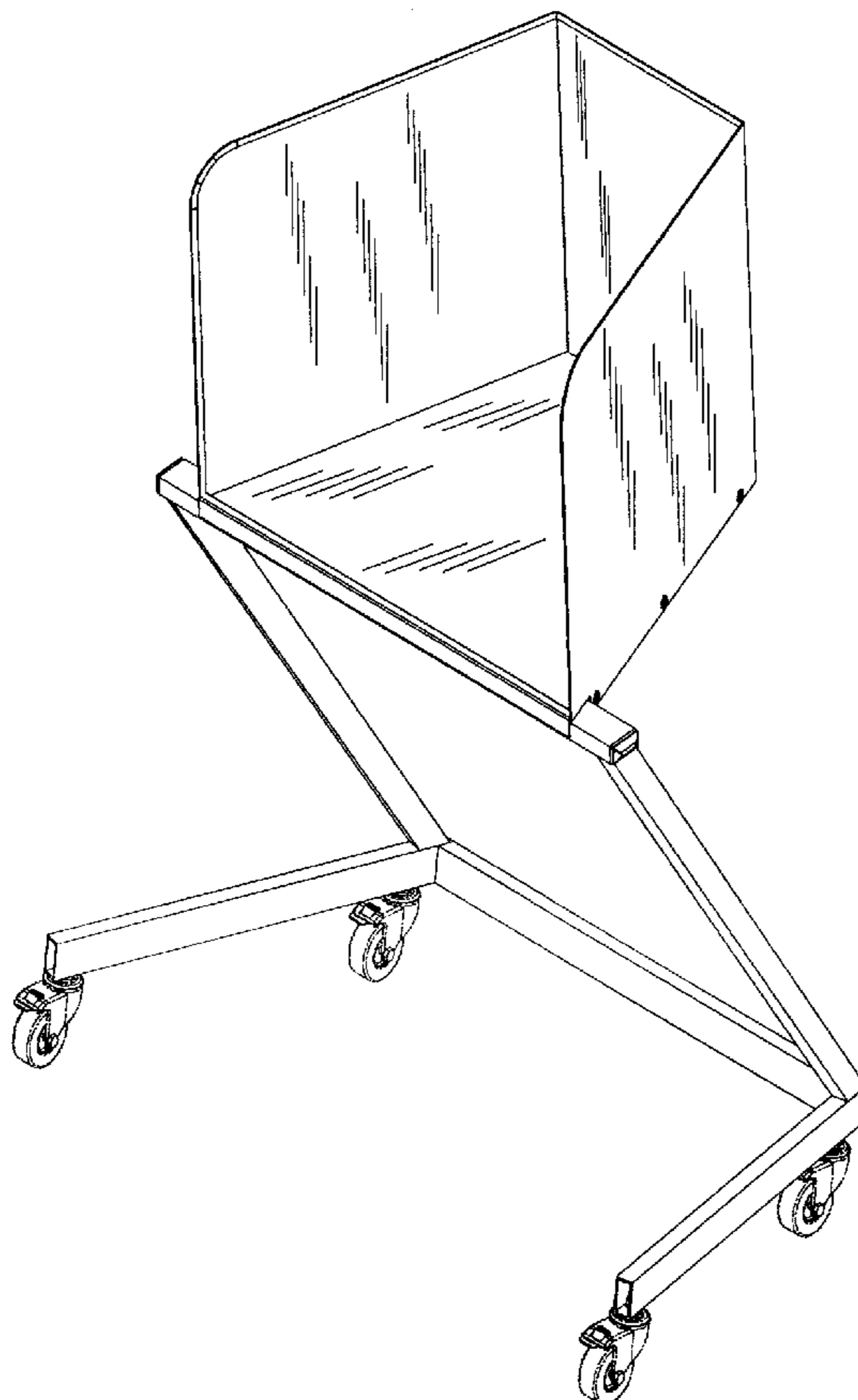
The portions of the Figures illustrated in broken lines are for illustrative purposes only and no part of the claimed subject matter.

(56) **References Cited**

U.S. PATENT DOCUMENTS

4,660,904 A * 4/1987 Stephens 312/140.2
D475,219 S * 6/2003 McClure et al. D6/421
D603,183 S * 11/2009 Abel et al. D6/421
D603,184 S * 11/2009 Abel et al. D6/421
D603,621 S * 11/2009 Abel et al. D6/421

1 Claim, 8 Drawing Sheets



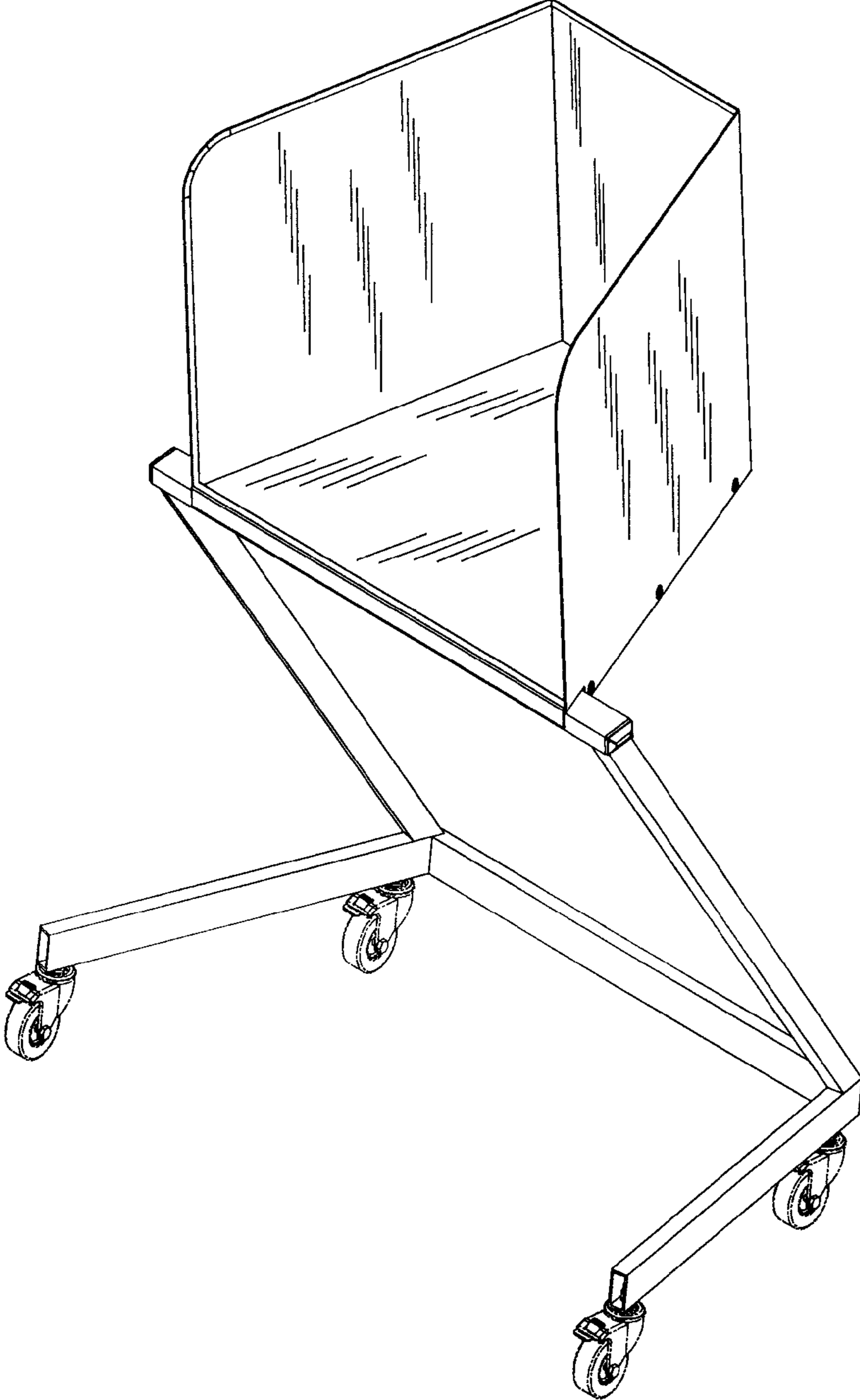


Figure 1

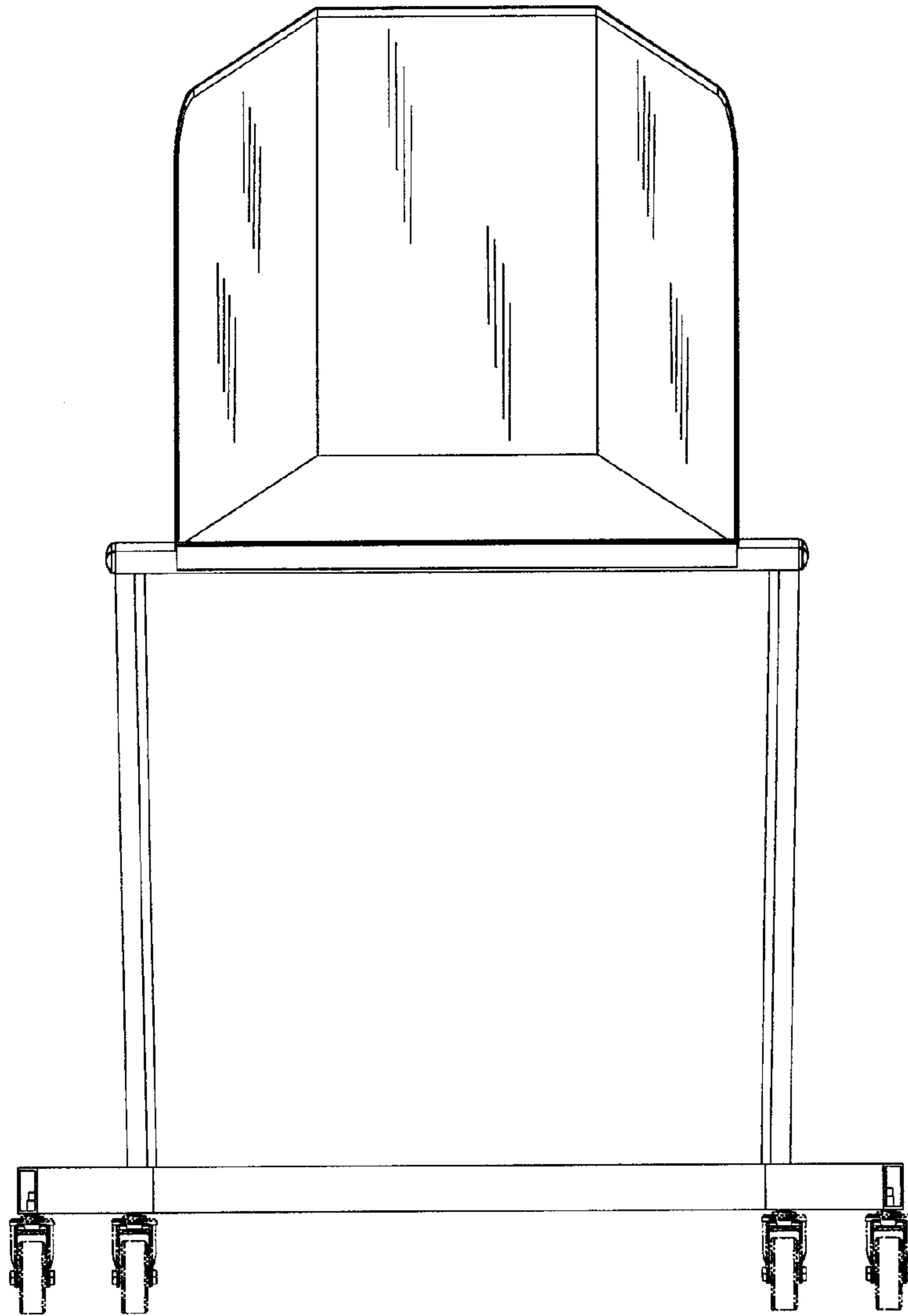


Figure 2

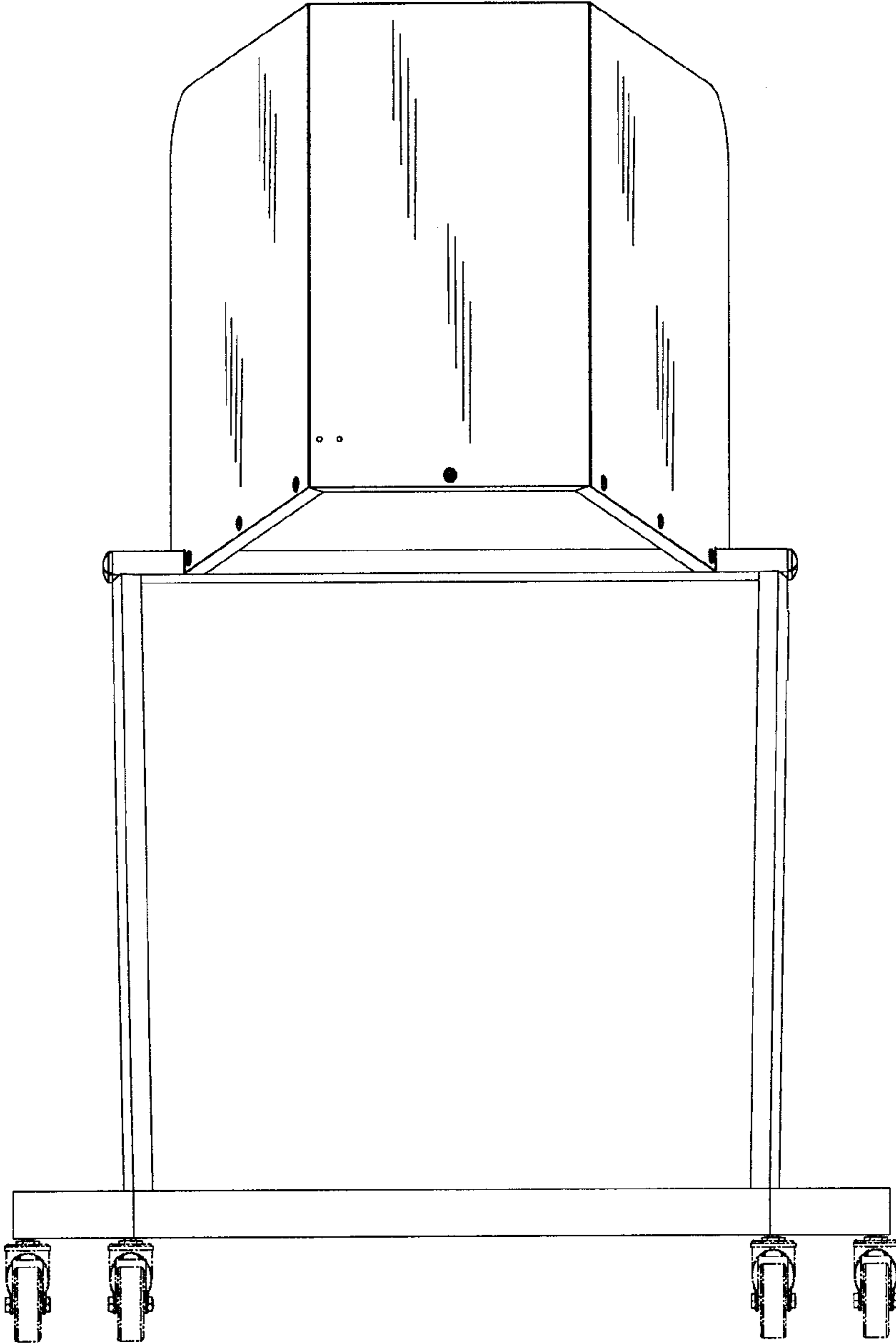


Figure 3

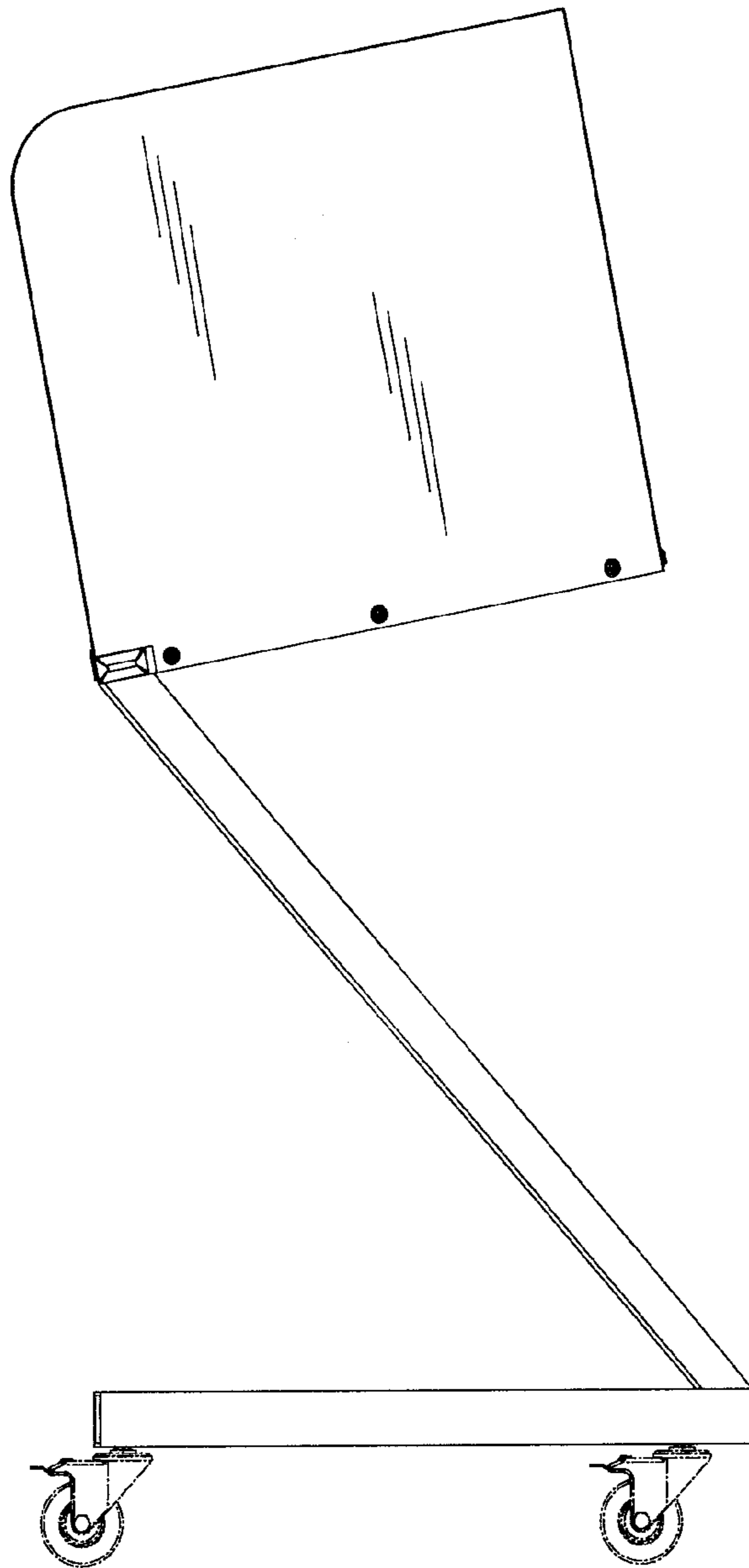


Figure 4

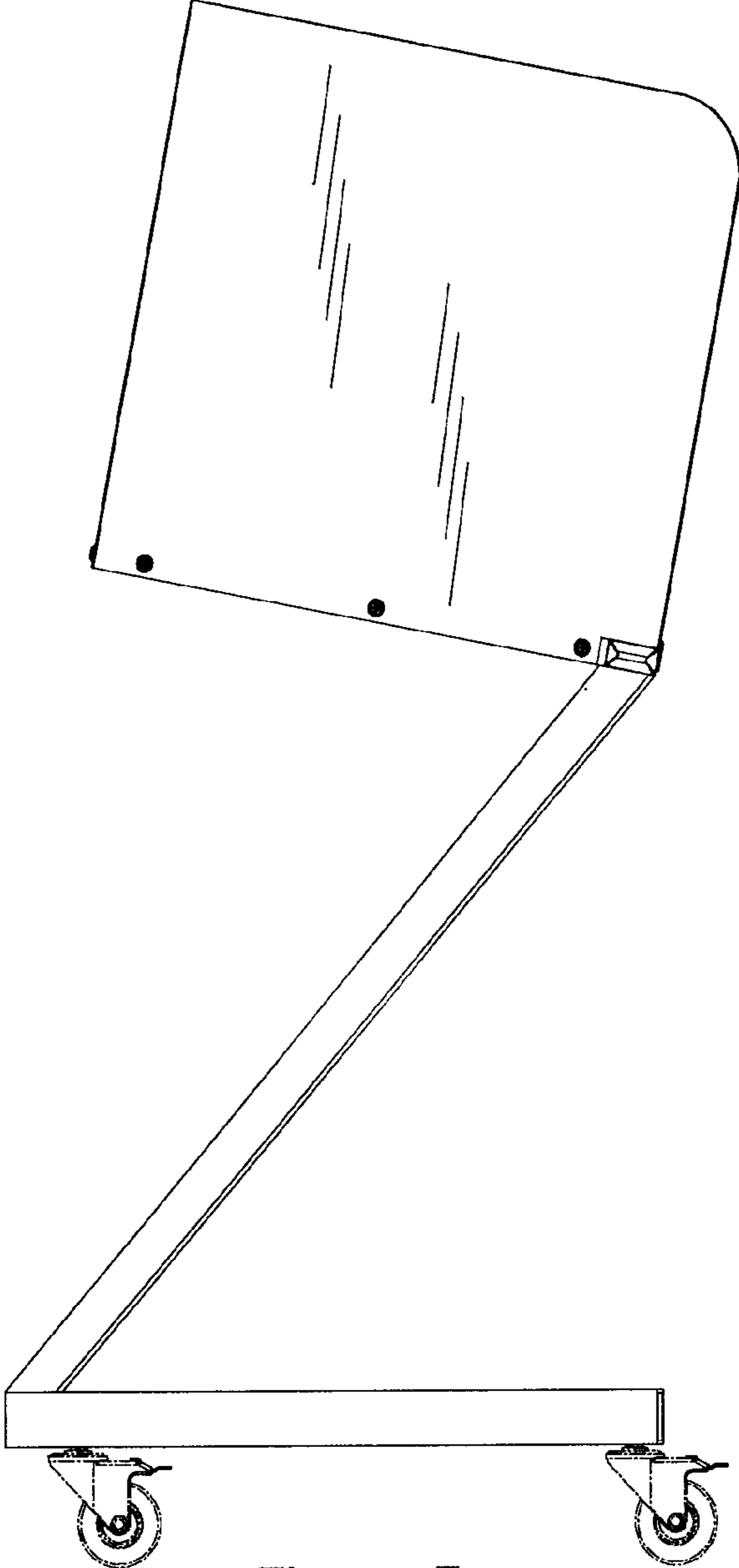


Figure 5

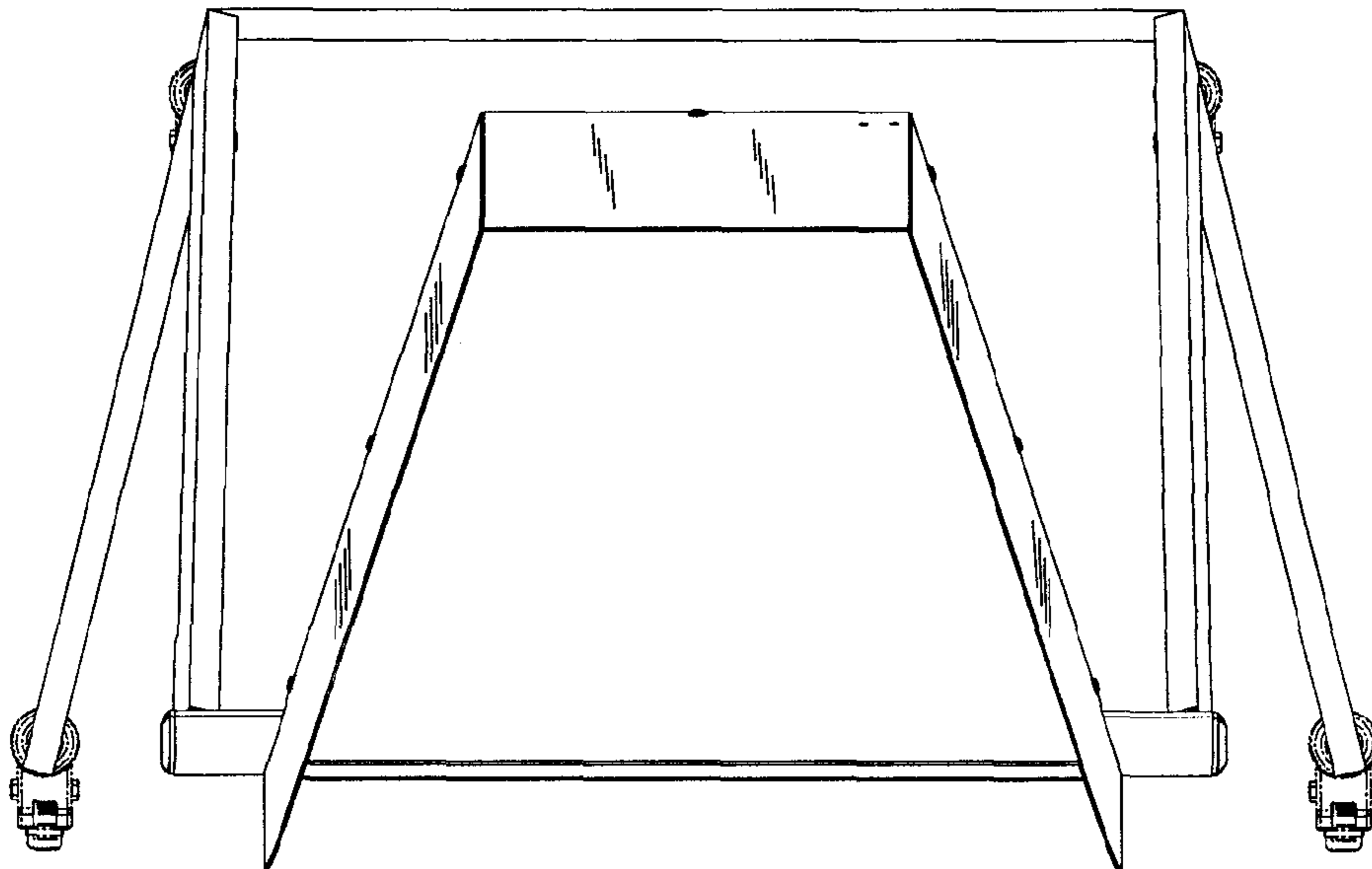


Figure 6

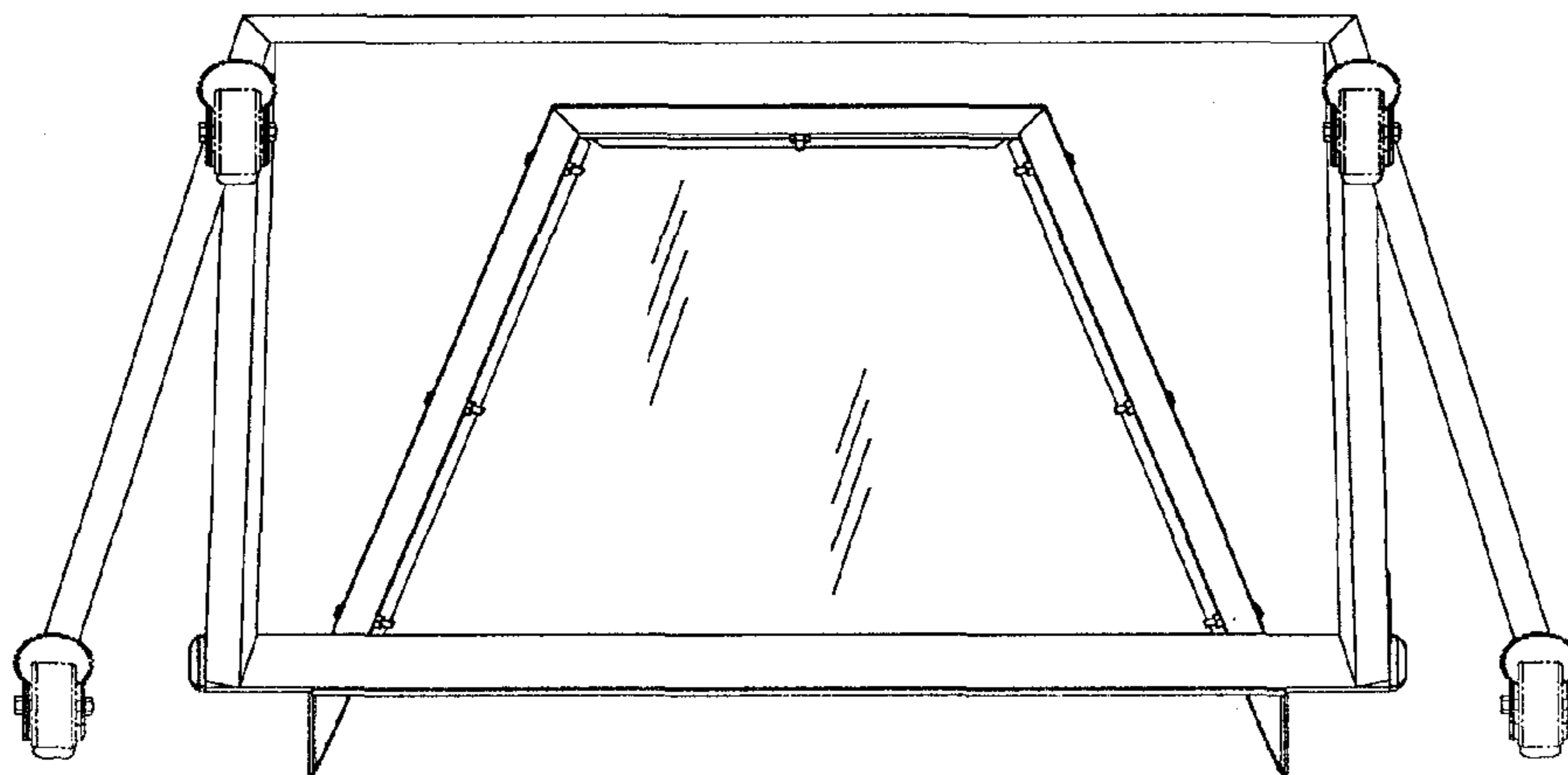


Figure 7

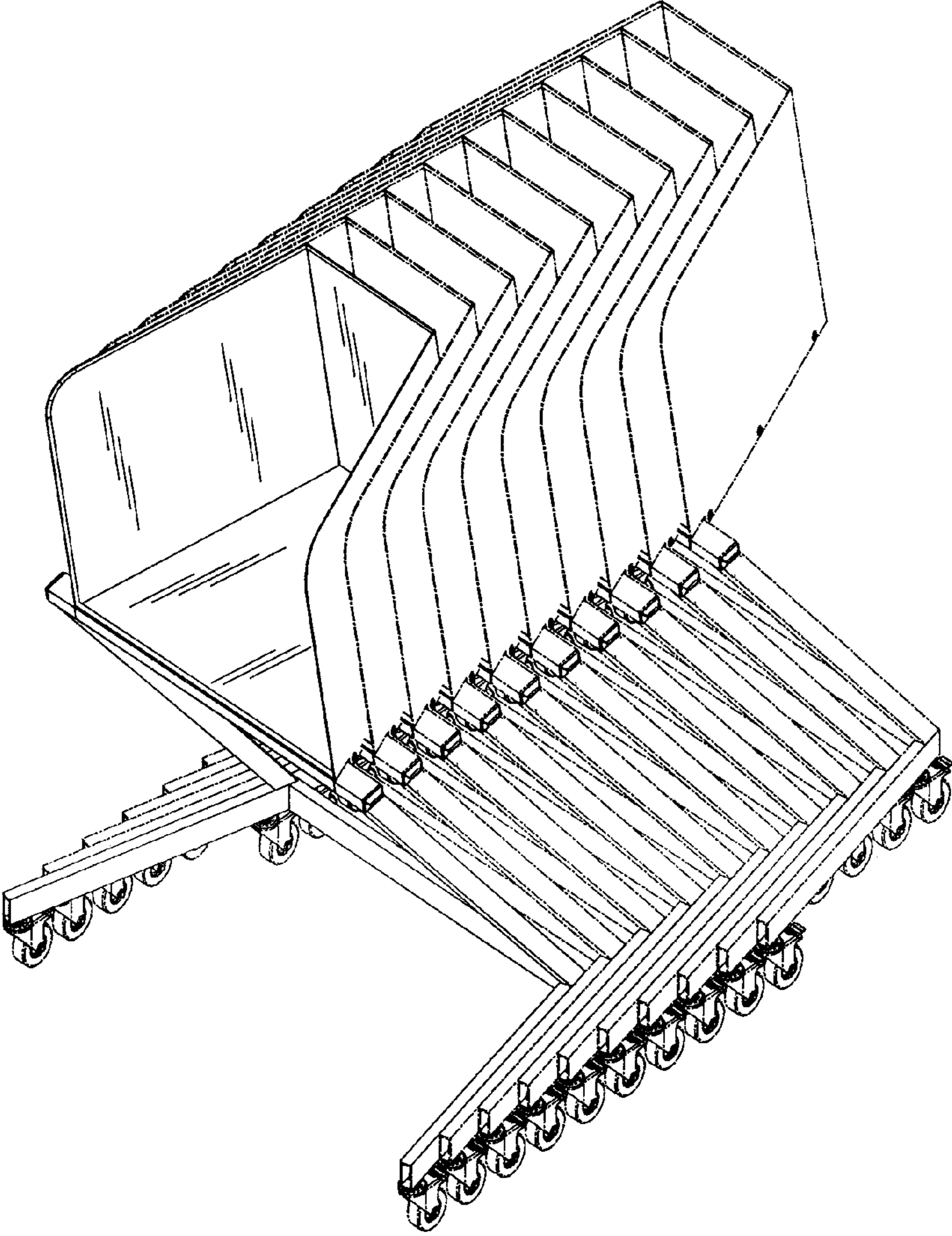


Figure 8