



US00D646501S

(12) **United States Design Patent**  
**Hepeng**

(10) **Patent No.:** **US D646,501 S**

(45) **Date of Patent:** **\*\* Oct. 11, 2011**

(54) **FOLDABLE STAND**

(75) Inventor: **Wei Hepeng**, Wuxi (CN)

(73) Assignee: **Howard Berger Co., Inc.**, Cranbury, NJ (US)

(\*\*) Term: **14 Years**

(21) Appl. No.: **29/372,531**

(22) Filed: **Dec. 3, 2010**

(51) **LOC (9) Cl.** ..... **06-04**

(52) **U.S. Cl.** ..... **D6/397; D6/468**

(58) **Field of Classification Search** ..... D6/468,  
D6/475, 630, 476, 396, 499, 150, 453-469,  
D6/471, 473, 474, 477, 479; 211/1, 13.1,  
211/42, 43, 49.1, 50, 52, 53, 55, 56, 58, 60.1,  
211/70.3, 85.2, 85.8, 189; 40/124, 124.2,  
40/124.4

See application file for complete search history.

(56) **References Cited**

U.S. PATENT DOCUMENTS

- D340,156 S \* 10/1993 Bonazza et al. .... D6/476
- D463,191 S \* 9/2002 Palmer et al. .... D6/630
- D532,218 S \* 11/2006 Caldwell et al. .... D6/468

- D532,219 S \* 11/2006 Sandler et al. .... D6/475
- D536,552 S \* 2/2007 Dickerson et al. .... D6/468
- D572,942 S \* 7/2008 Robbins et al. .... D6/468
- D635,377 S \* 4/2011 Rodgers et al. .... D6/468

\* cited by examiner

*Primary Examiner* — Philip S Hyder

*Assistant Examiner* — Sydney Buffalow

(74) *Attorney, Agent, or Firm* — Kramer Levin Naftalis & Frankell LLP

(57) **CLAIM**

The ornamental design for a foldable stand, as shown in the figures.

**DESCRIPTION**

FIG. 1 is a front perspective view of the foldable stand according to the present invention;  
 FIG. 2 is a front elevational view thereof, the rear elevational view being a mirror image thereof;  
 FIG. 3 is a side elevational view thereof, rotated 45 degrees relative to FIG. 2, the opposite side elevational view being a mirror image thereof;  
 FIG. 4 is a top view thereof;  
 FIG. 5 is a bottom view thereof; and,  
 FIG. 6 is an exploded perspective view thereof.

**1 Claim, 6 Drawing Sheets**

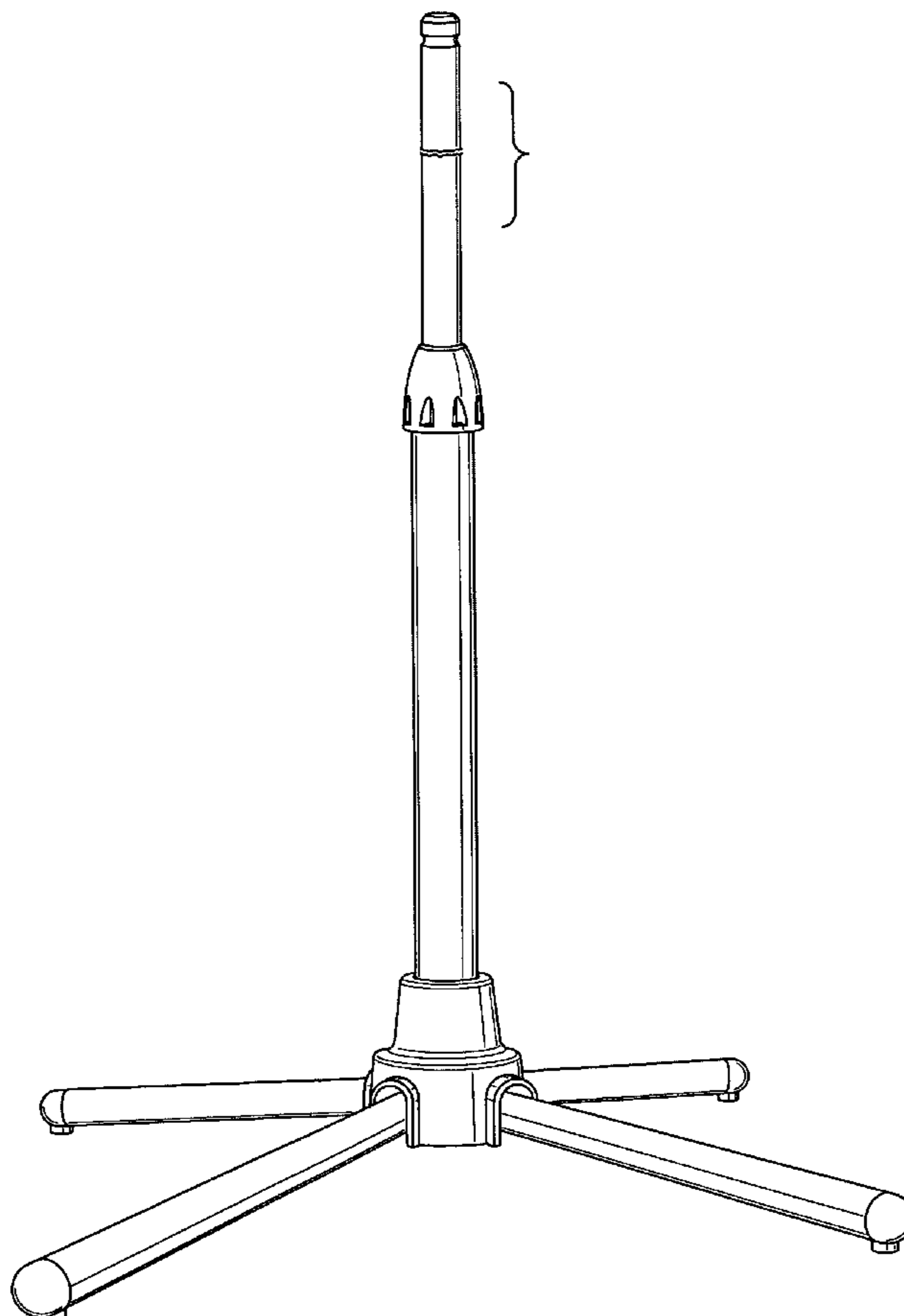


Fig. 1

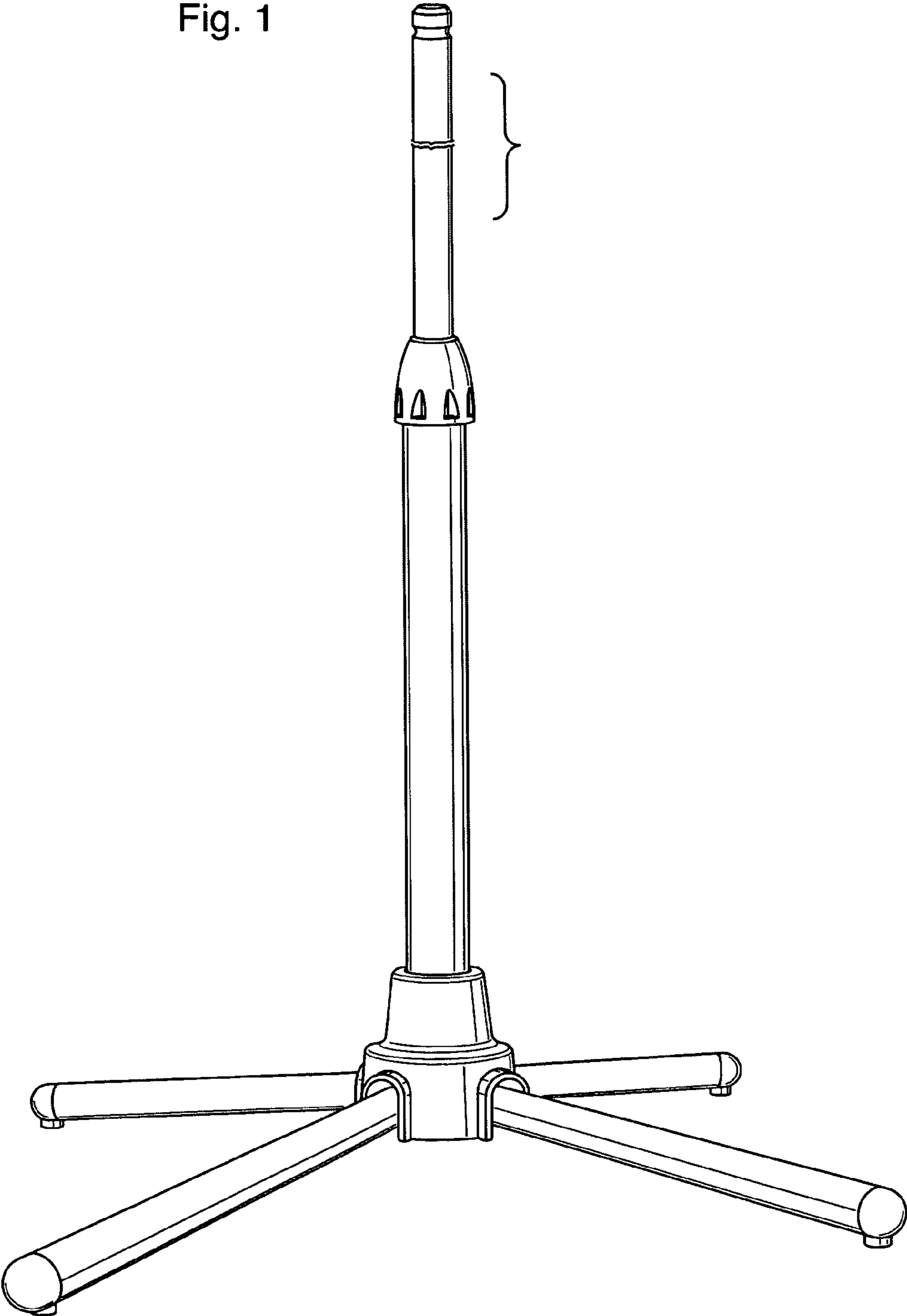


Fig. 2

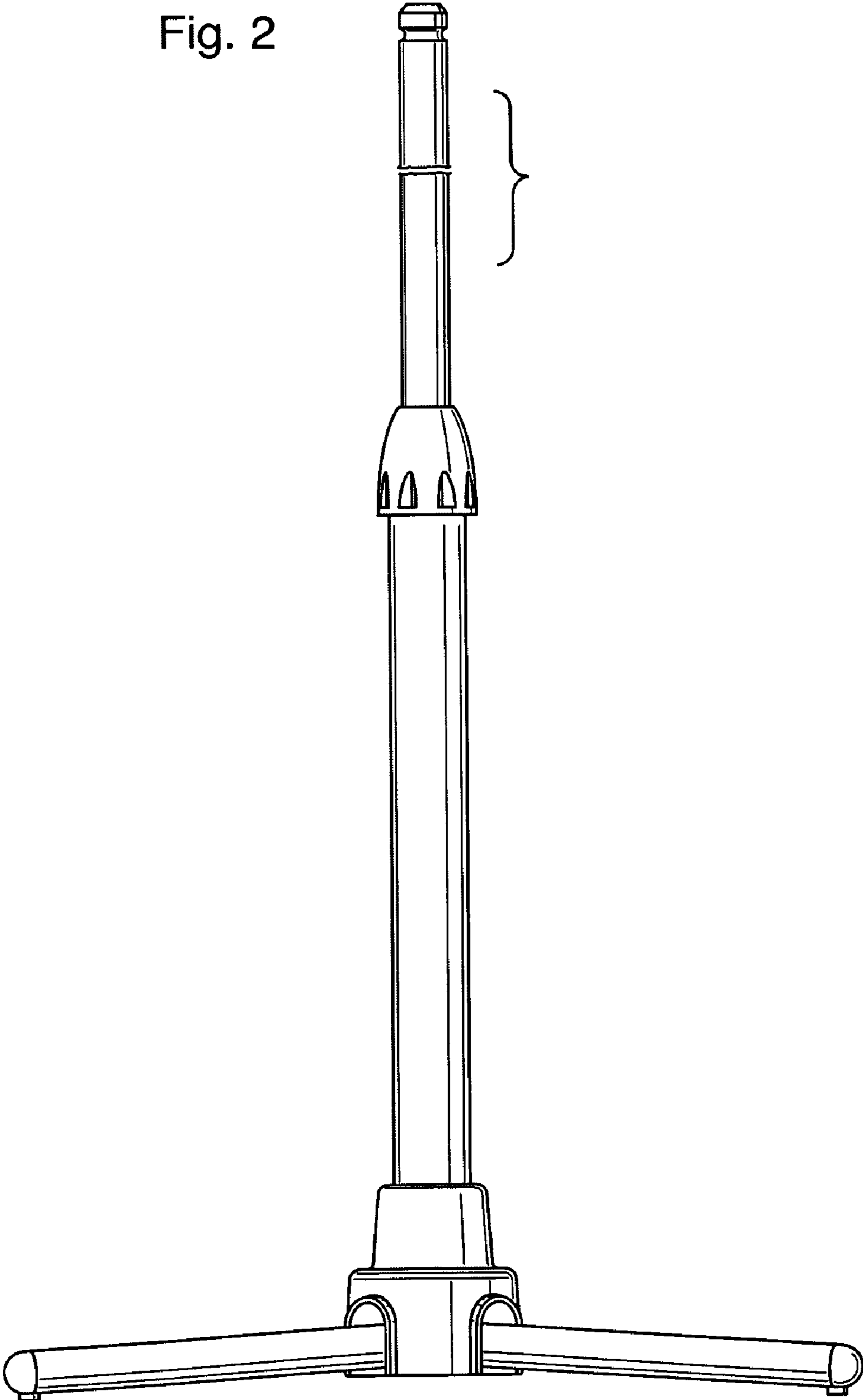


Fig. 3

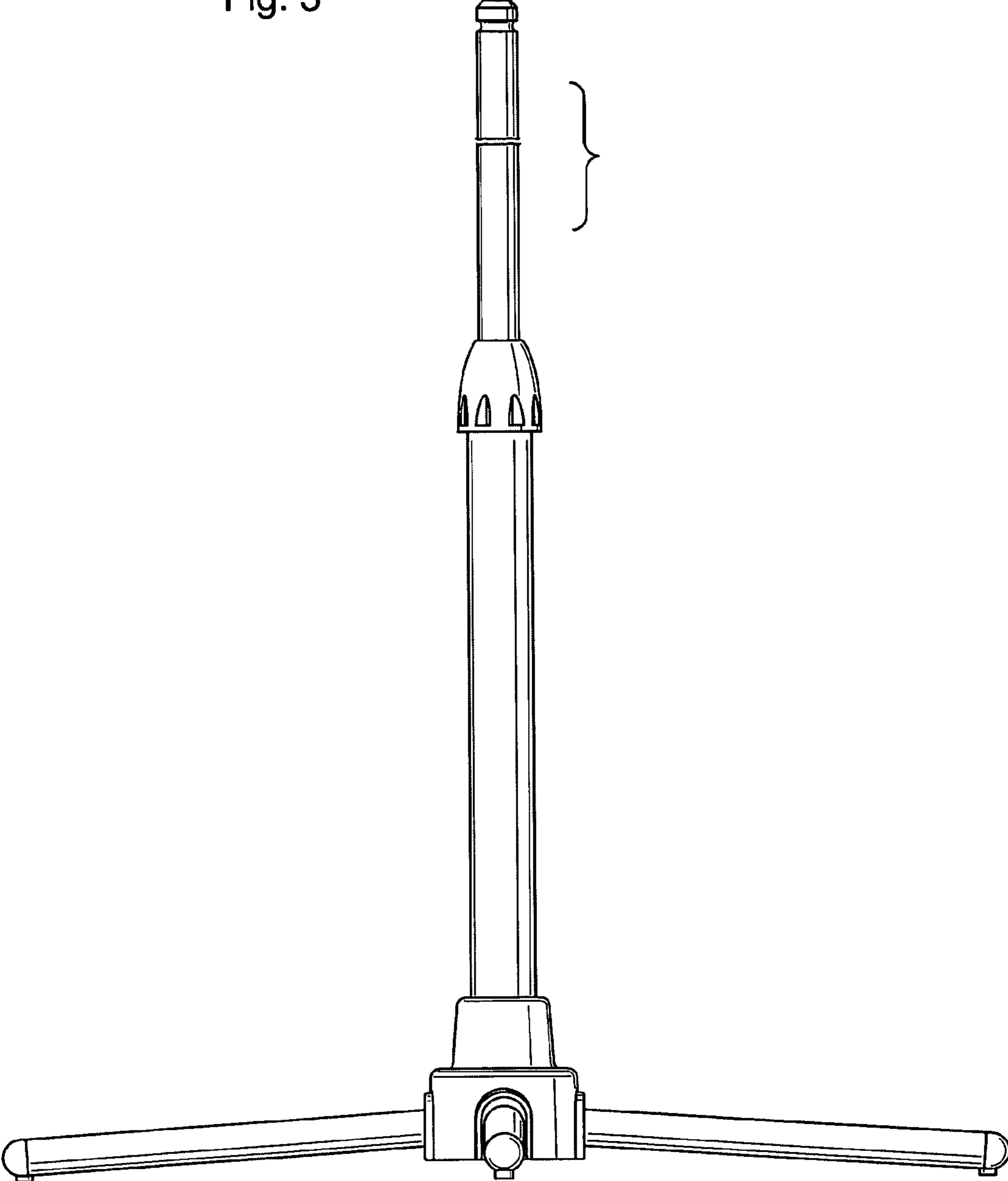


Fig. 4

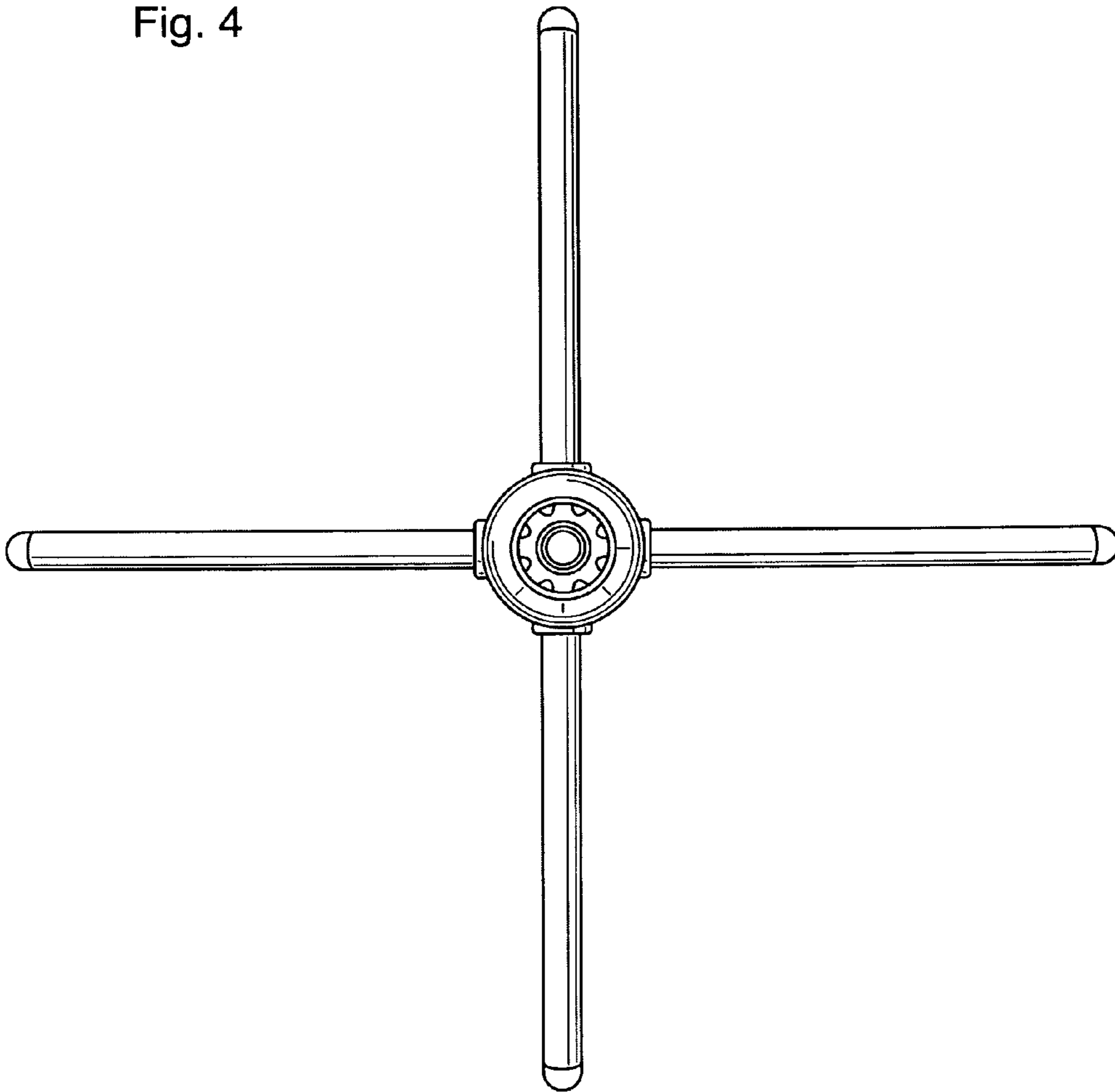


Fig. 5

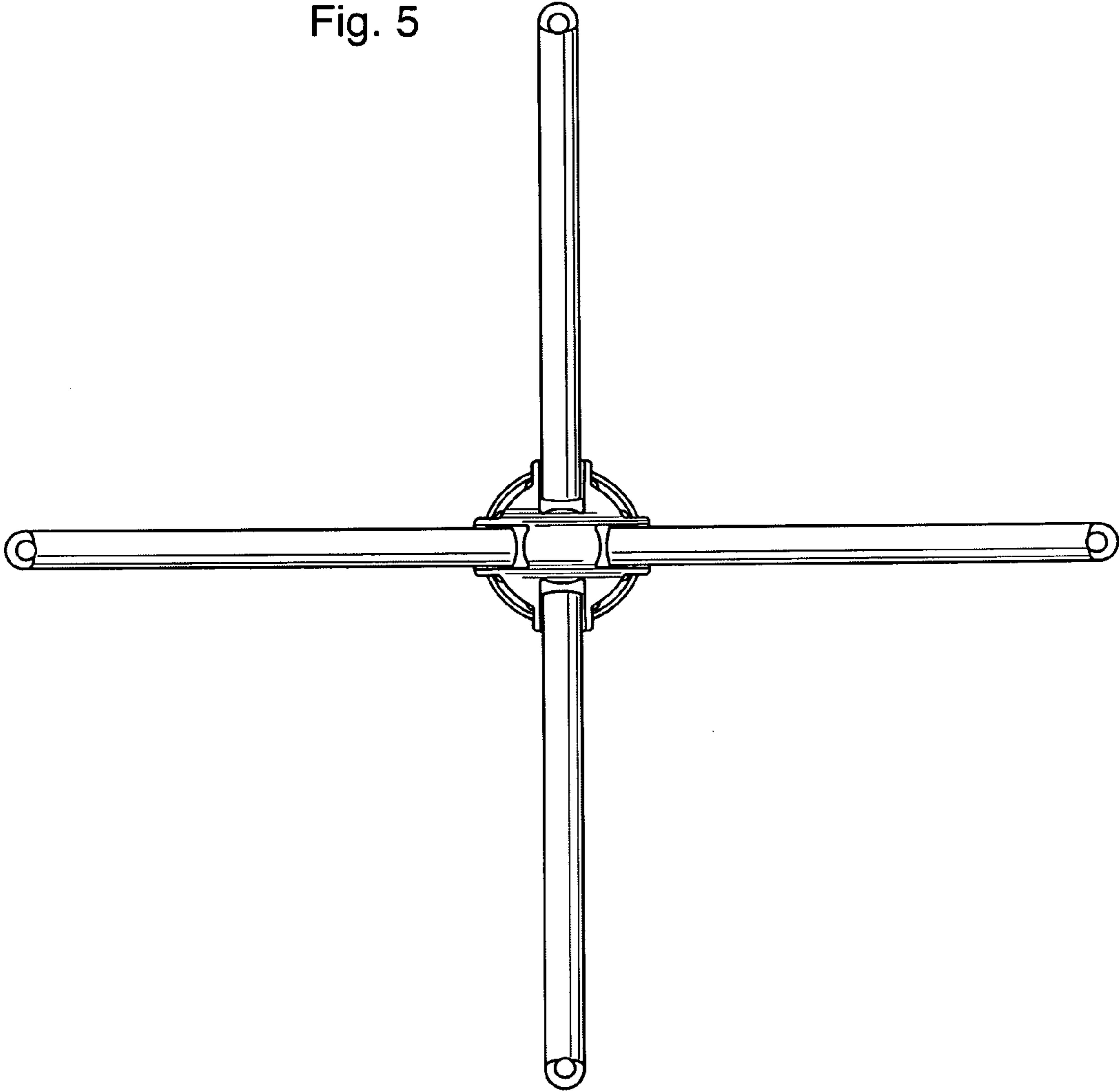


Fig. 6

