



US00D646495S

(12) **United States Design Patent**  
**Shaw**

(10) **Patent No.:** **US D646,495 S**

(45) **Date of Patent:** **\*\* Oct. 11, 2011**

(54) **CHAIR WITH TRAY FOR INFANT**  
(76) Inventor: **Richard Shaw**, Huddersfield (GB)  
(\*\*) Term: **14 Years**

D478,219 S \* 8/2003 Greger ..... D6/339  
D575,539 S \* 8/2008 Tomasi ..... D6/339  
D600,927 S \* 9/2009 Lake et al. .... D6/339  
D618,001 S \* 6/2010 Bearup et al. .... D6/339  
D619,382 S \* 7/2010 Chen et al. .... D6/339  
D619,818 S \* 7/2010 Bergkvist ..... D6/339

(21) Appl. No.: **29/387,615**

**FOREIGN PATENT DOCUMENTS**

(22) Filed: **Mar. 15, 2011**

EM 001247944-0001 9/2010

(30) **Foreign Application Priority Data**

\* cited by examiner

Dec. 3, 2010 (EM) ..... 001247944-0001

*Primary Examiner* — Caron D Veynar

*Assistant Examiner* — Abraham Bahta

(51) **LOC (9) Cl.** ..... **06-01**

(57) **CLAIM**

(52) **U.S. Cl.** ..... **D6/339**

I claim the ornamental design for a chair with tray for infant,  
as shown and described.

(58) **Field of Classification Search** ..... D6/334–336,  
D6/338–339, 491, 500–502; D12/129; D21/412,  
D21/419; 280/30, 31; 5/94, 98.1, 99.1, 101,  
5/102, 105, 655; 297/183.1–183.4, 184.13,  
297/184.15, 184.17, 250.1, 256.1, 255, 256.15,  
297/256.16, 174 R, 174 CS, 170–173  
See application file for complete search history.

**DESCRIPTION**

FIG. 1 is a front perspective view of the chair with tray for infant, showing my new design;  
FIG. 2 is a rear perspective view thereof;  
FIG. 3 is a left side view thereof;  
FIG. 4 is a front view thereof;  
FIG. 5 is a right side view thereof;  
FIG. 6 is a rear view thereof; and,  
FIG. 7 is a top view thereof.

(56) **References Cited**

**U.S. PATENT DOCUMENTS**

D283,956 S \* 5/1986 Lemmeyer ..... D6/339  
D365,936 S \* 1/1996 Haut et al. .... D6/339  
D432,798 S \* 10/2000 Boney ..... D6/339

**1 Claim, 7 Drawing Sheets**

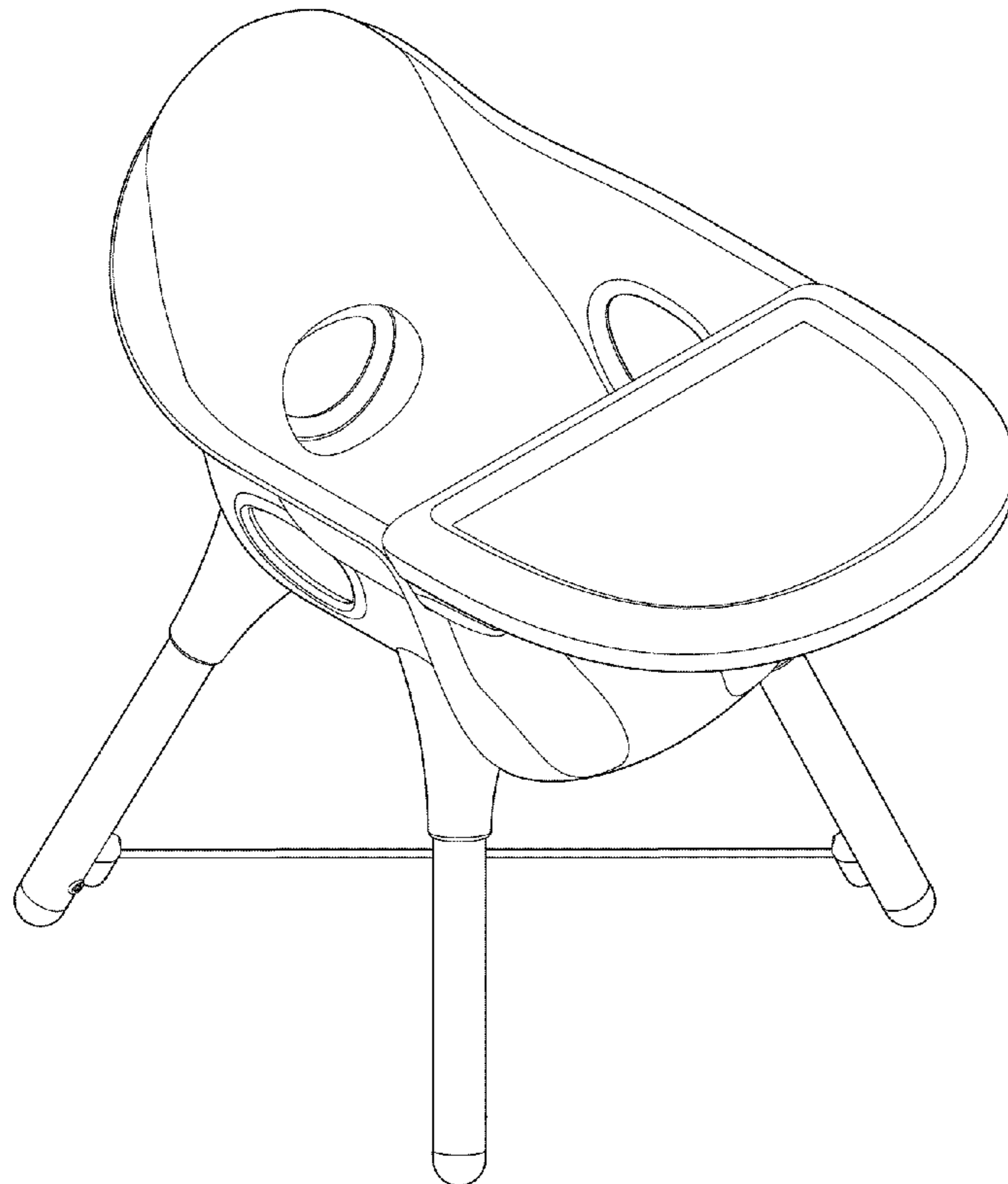


FIG. 1

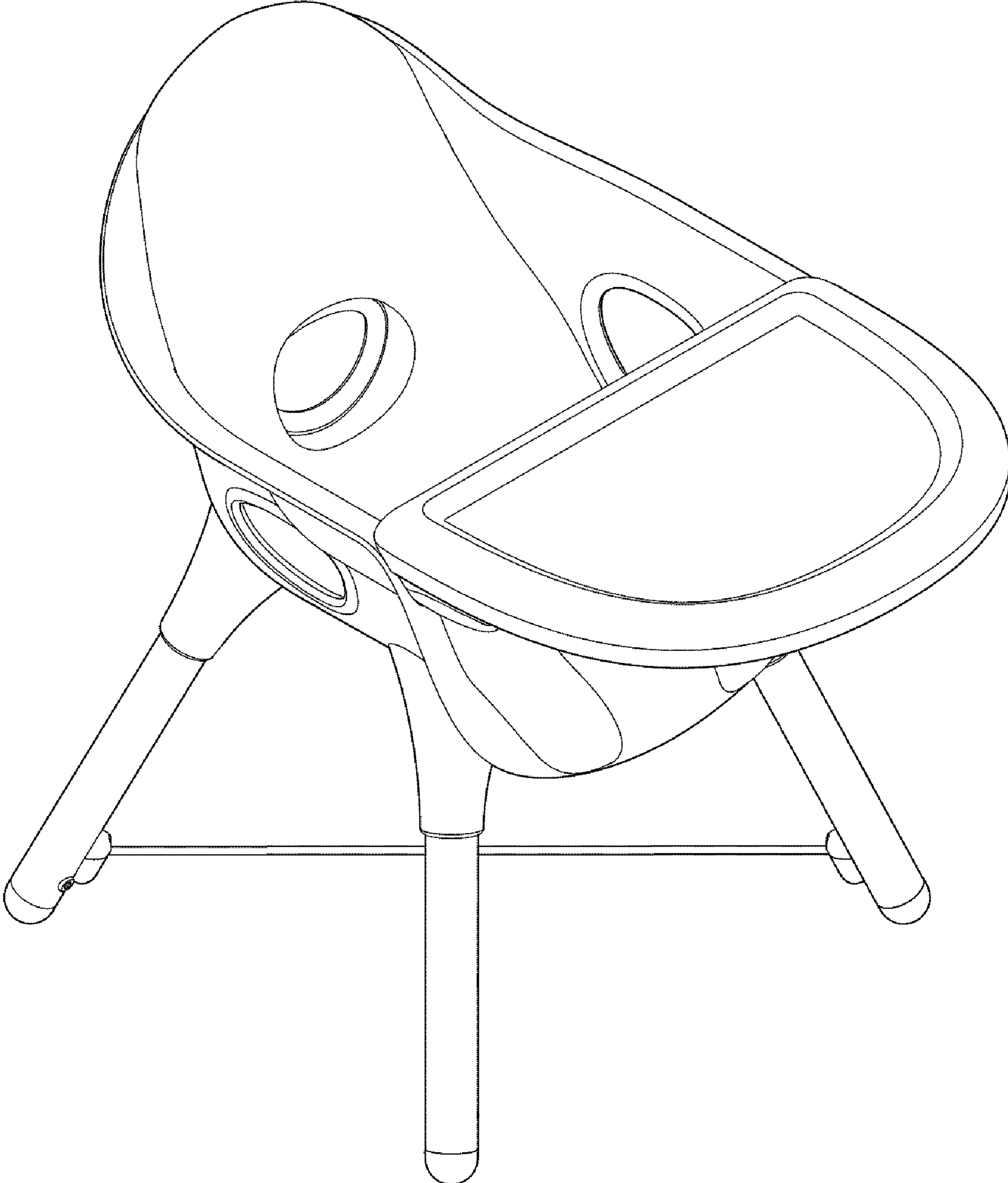


FIG. 2

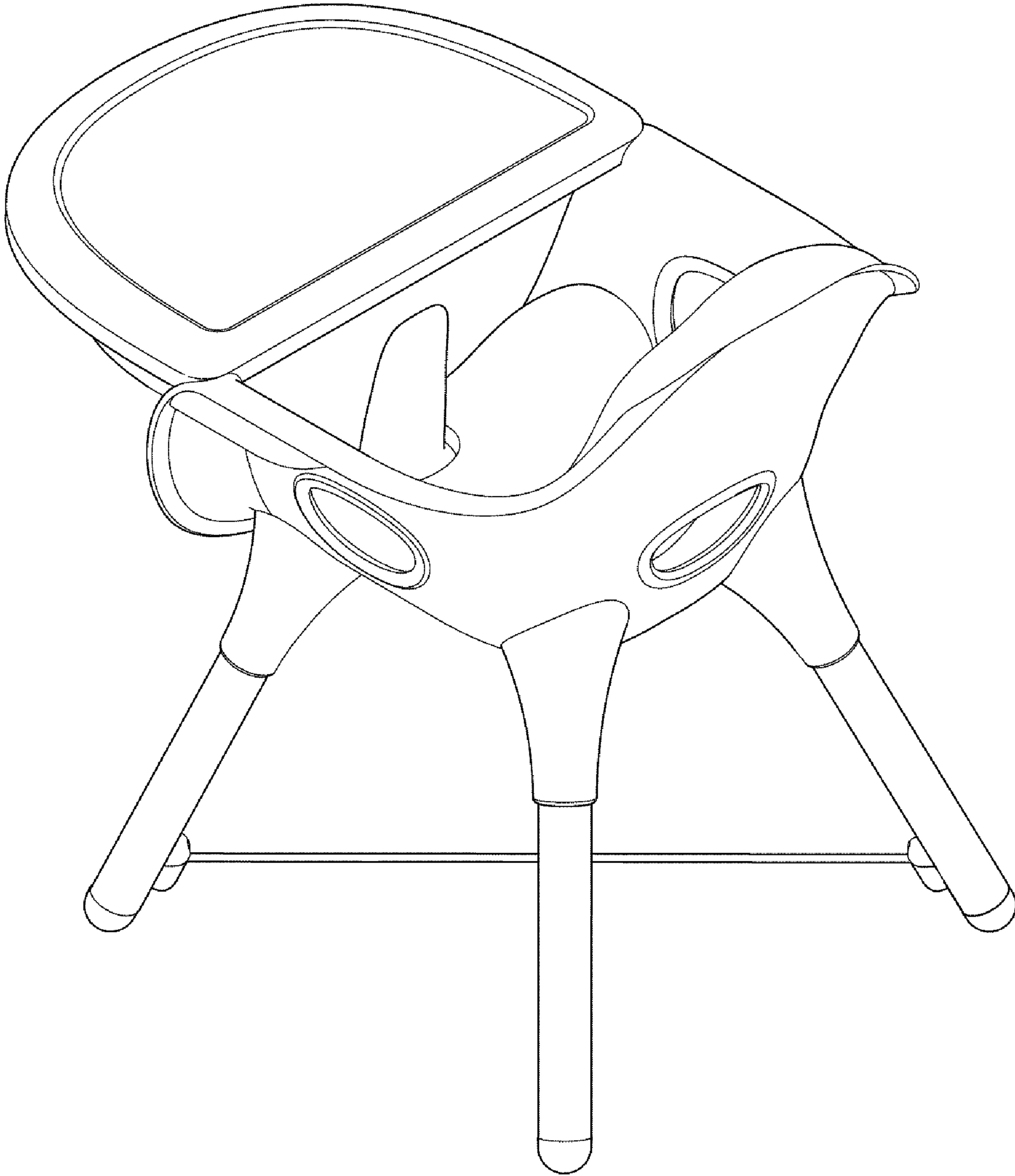


FIG. 3

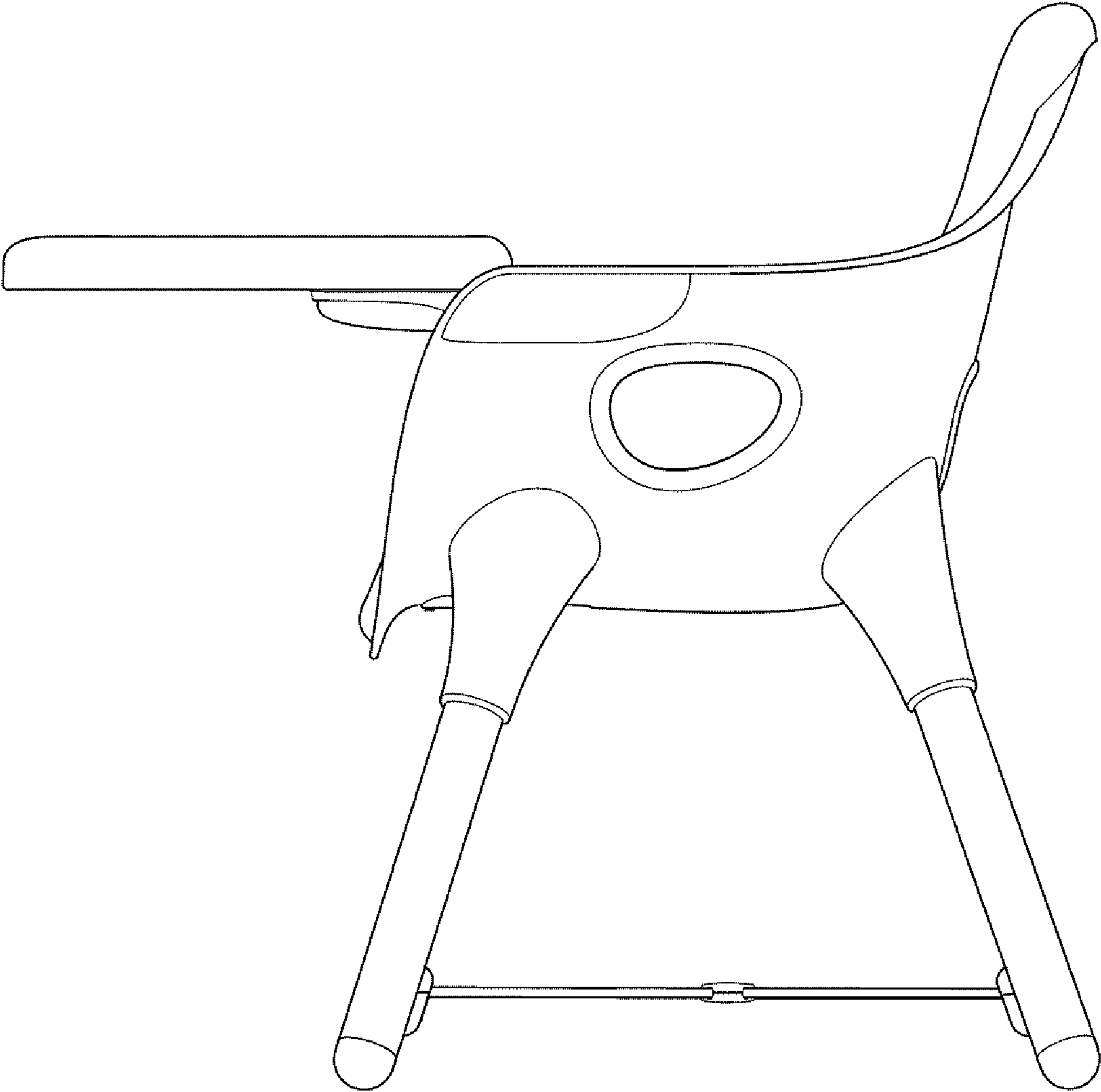


FIG. 4

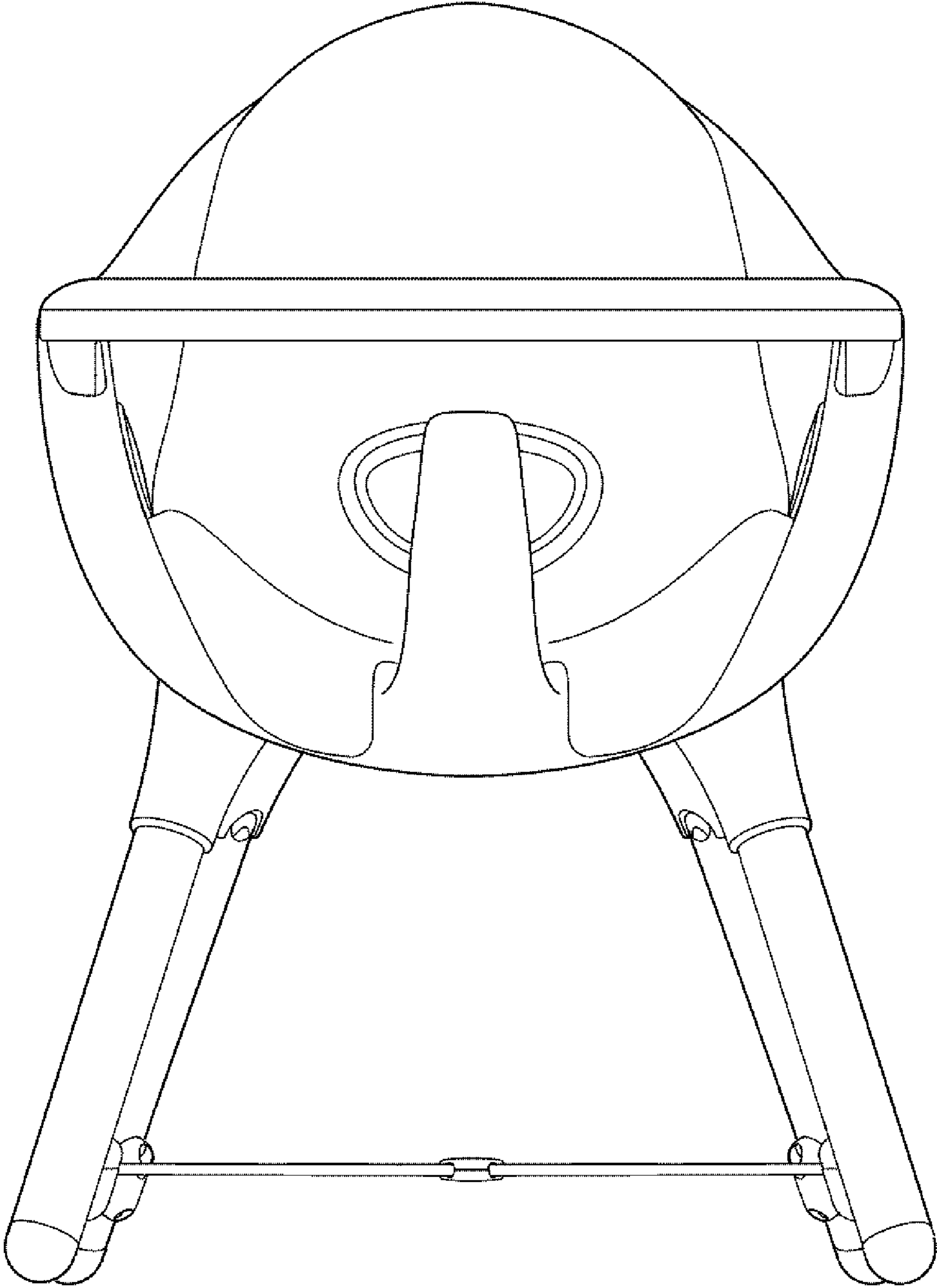


FIG. 5

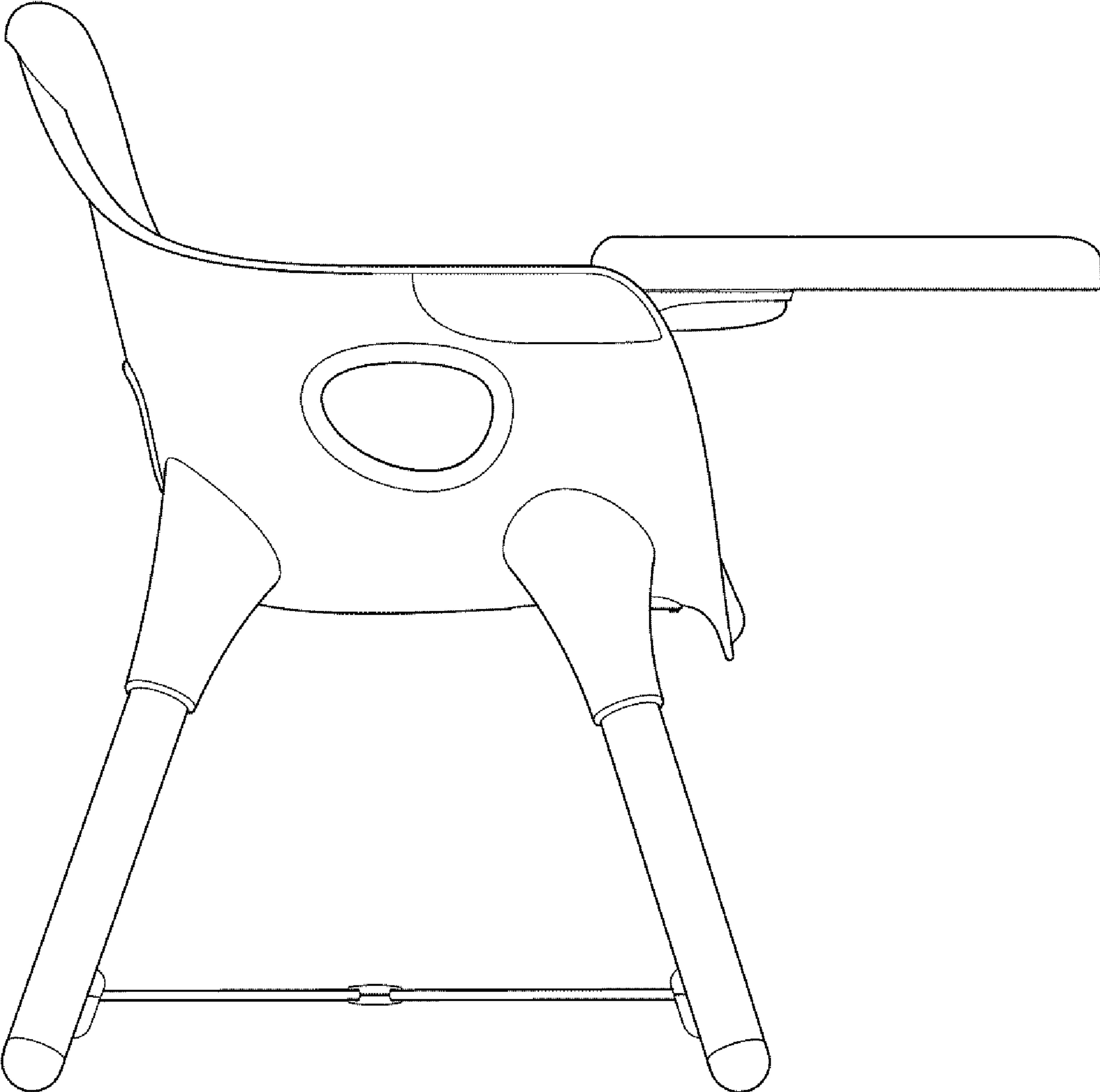


FIG. 6

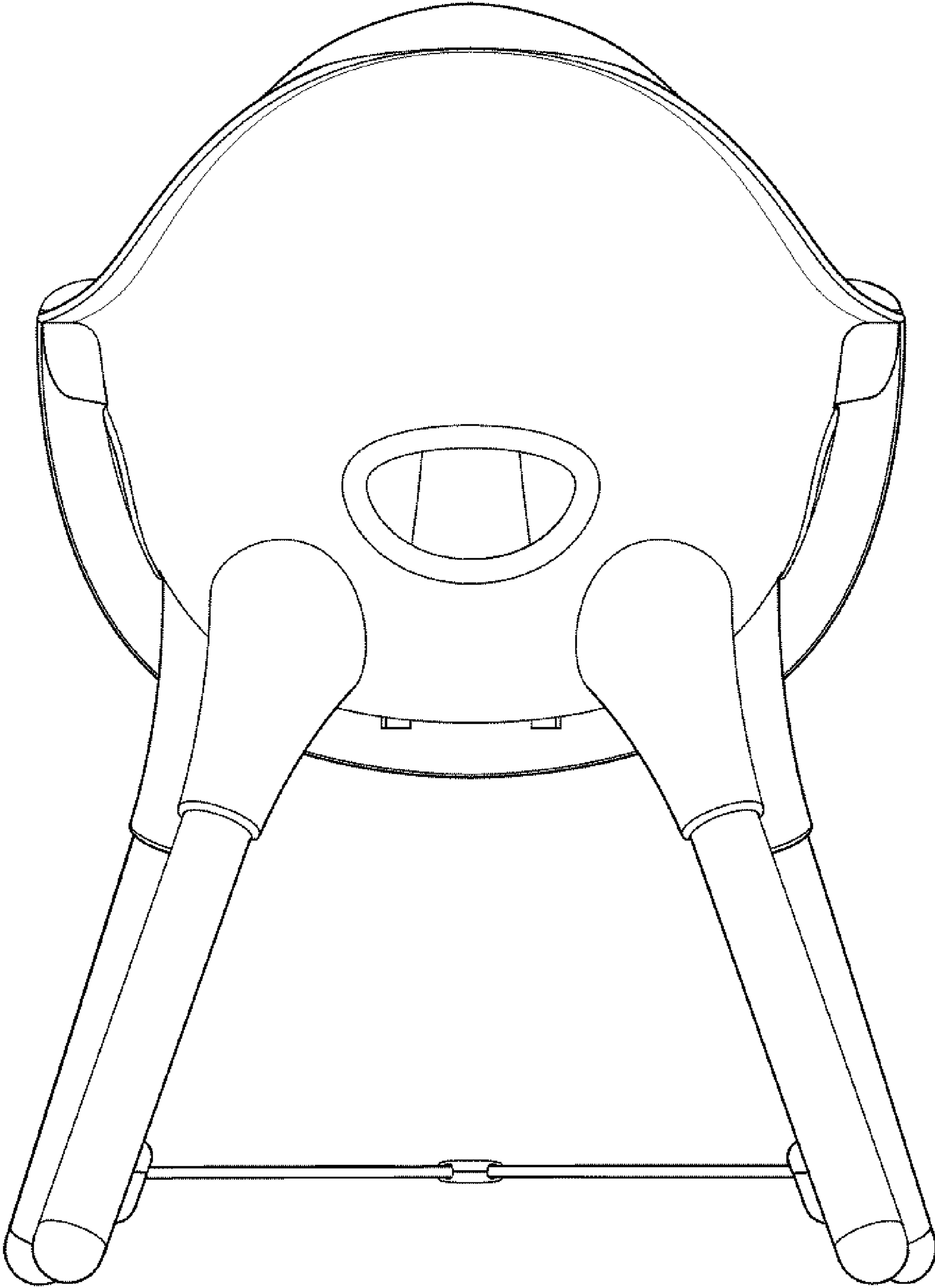


FIG. 7

