



US00D646494S

(12) **United States Design Patent**
Arnon

(10) **Patent No.:** **US D646,494 S**

(45) **Date of Patent:** **** Oct. 11, 2011**

(54) **CREATION TABLE WITH SEATS**

(75) Inventor: **Hadas Arnon**, Tel Aviv (IL)

(73) Assignee: **Keter Plastic Ltd.**, Herzlia (IL)

(**) Term: **14 Years**

(21) Appl. No.: **29/376,453**

(22) Filed: **Oct. 7, 2010**

(30) **Foreign Application Priority Data**

Apr. 8, 2010 (IL) 49258

(51) **LOC (9) Cl.** **06-01**

(52) **U.S. Cl.** **D6/338**

(58) **Field of Classification Search** D6/330,
D6/335-338, 340, 349-355, 358, 359, 364,
D6/366, 376, 491, 495, 500-502; 297/16.1,
297/39, 46, 135, 140, 156, 158.3, 158.4,
297/175, 177, 187, 195.1, 195.11, 211, 245,
297/423.1, 423.16, 445.1, 461, 462, 136,
297/170, 172, 174 F

See application file for complete search history.

(56) **References Cited**

U.S. PATENT DOCUMENTS

D192,512 S * 4/1962 Carpenter D6/337
D233,191 S * 10/1974 Turner D6/337
D234,238 S * 2/1975 Miller D6/337

D241,893 S * 10/1976 Cavic D6/337
D264,642 S * 6/1982 Greenman D6/337
D268,549 S * 4/1983 Liu D6/337
D327,179 S * 6/1992 Ryaa D6/337
D459,901 S * 7/2002 Liu D6/336

* cited by examiner

Primary Examiner — Sandra Snapp

(74) *Attorney, Agent, or Firm* — Eitan Mehulal Law Group

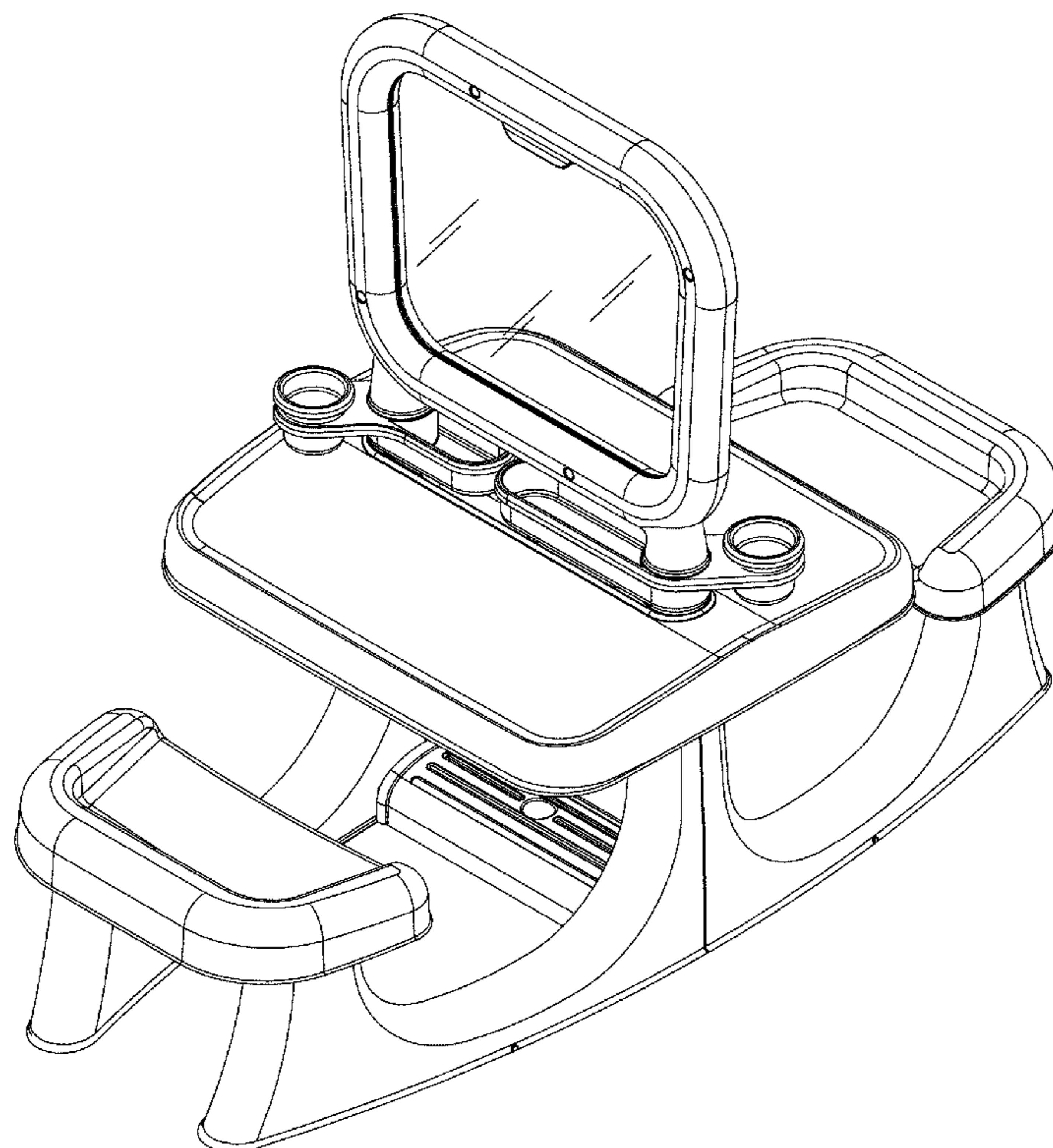
(57) **CLAIM**

The ornamental design for a creation table with seats, as shown and described.

DESCRIPTION

FIG. 1 is a perspective view of an embodiment of the creation table with seats, showing my new ornamental design; FIG. 2 is a front view of an embodiment of the creation table with seats, showing my new ornamental design; FIG. 3 is a rear view of an embodiment of the creation table with seats, showing my new ornamental design; FIG. 4 is a left side view of an embodiment of the creation table with seats, showing my new ornamental design; FIG. 5 is a right side view of an embodiment of the creation table with seats, showing my new ornamental design; FIG. 6 is a top view of an embodiment of the creation table with seats, showing my new ornamental design; and, FIG. 7 is a bottom view of an embodiment of the creation table with seats, showing my new ornamental design.

1 Claim, 7 Drawing Sheets



PERSPECTIVE VIEW

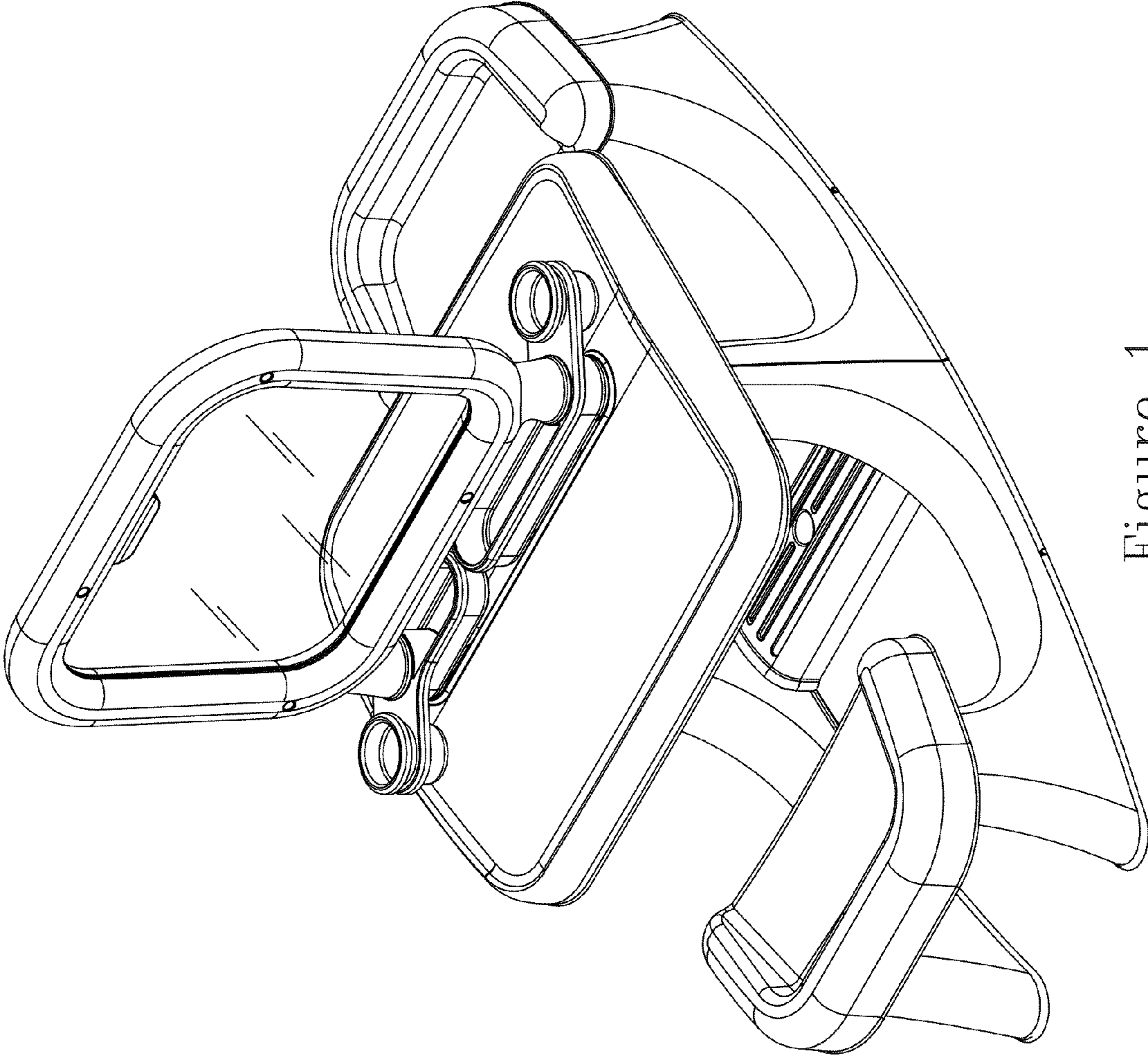


Figure 1
PERSPECTIVE VIEW

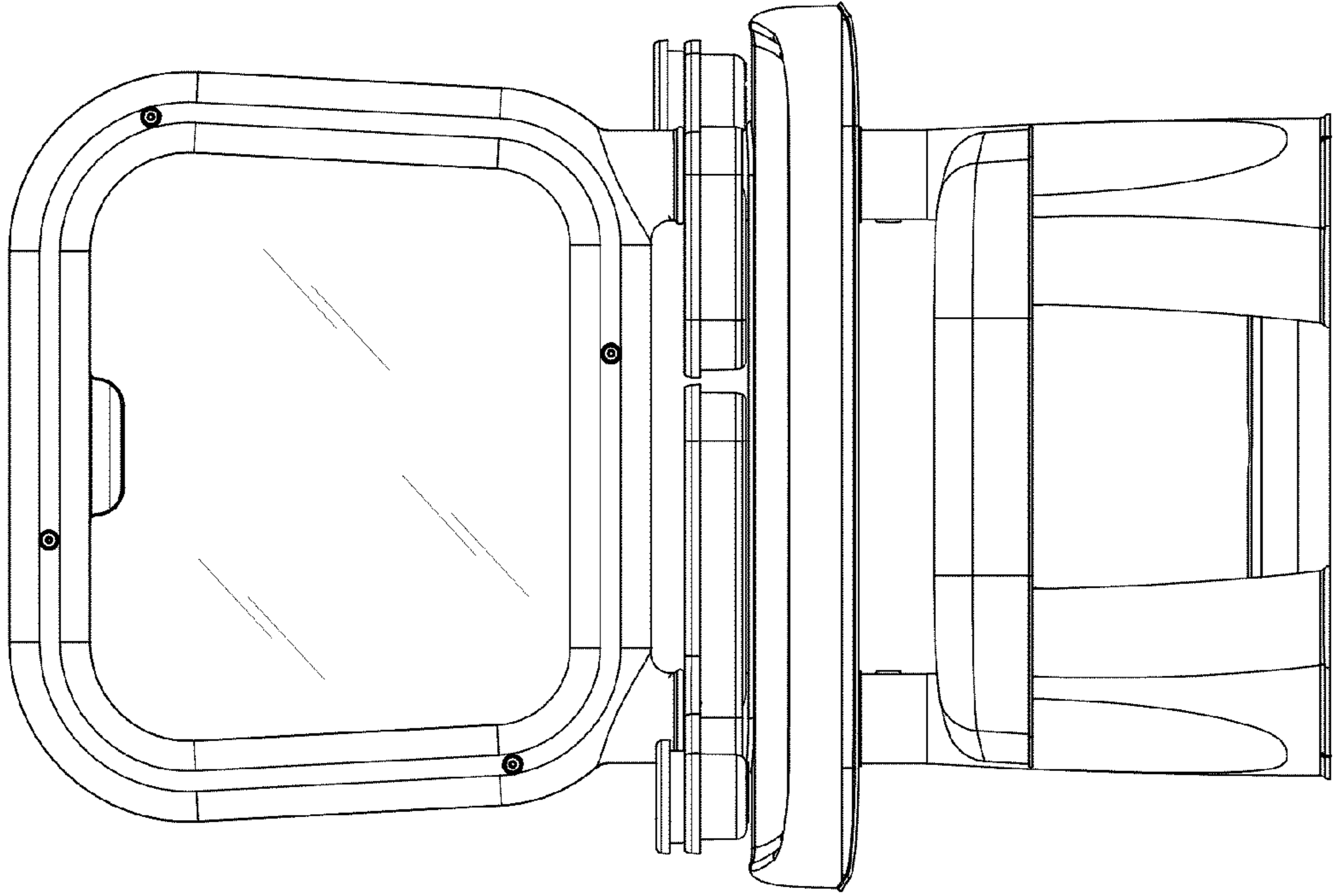


Figure 2
FRONT VIEW

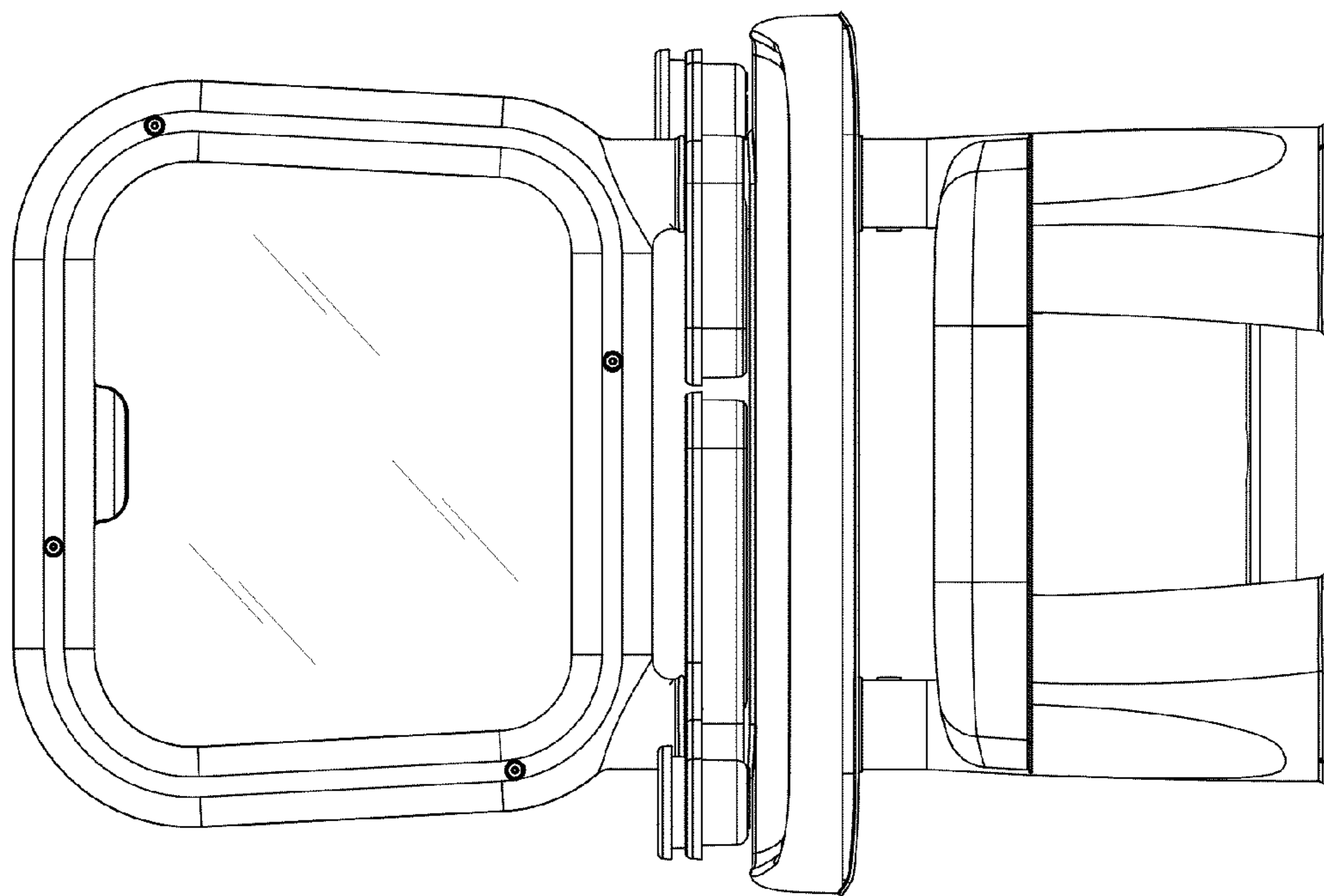


Figure 3
REAR VIEW

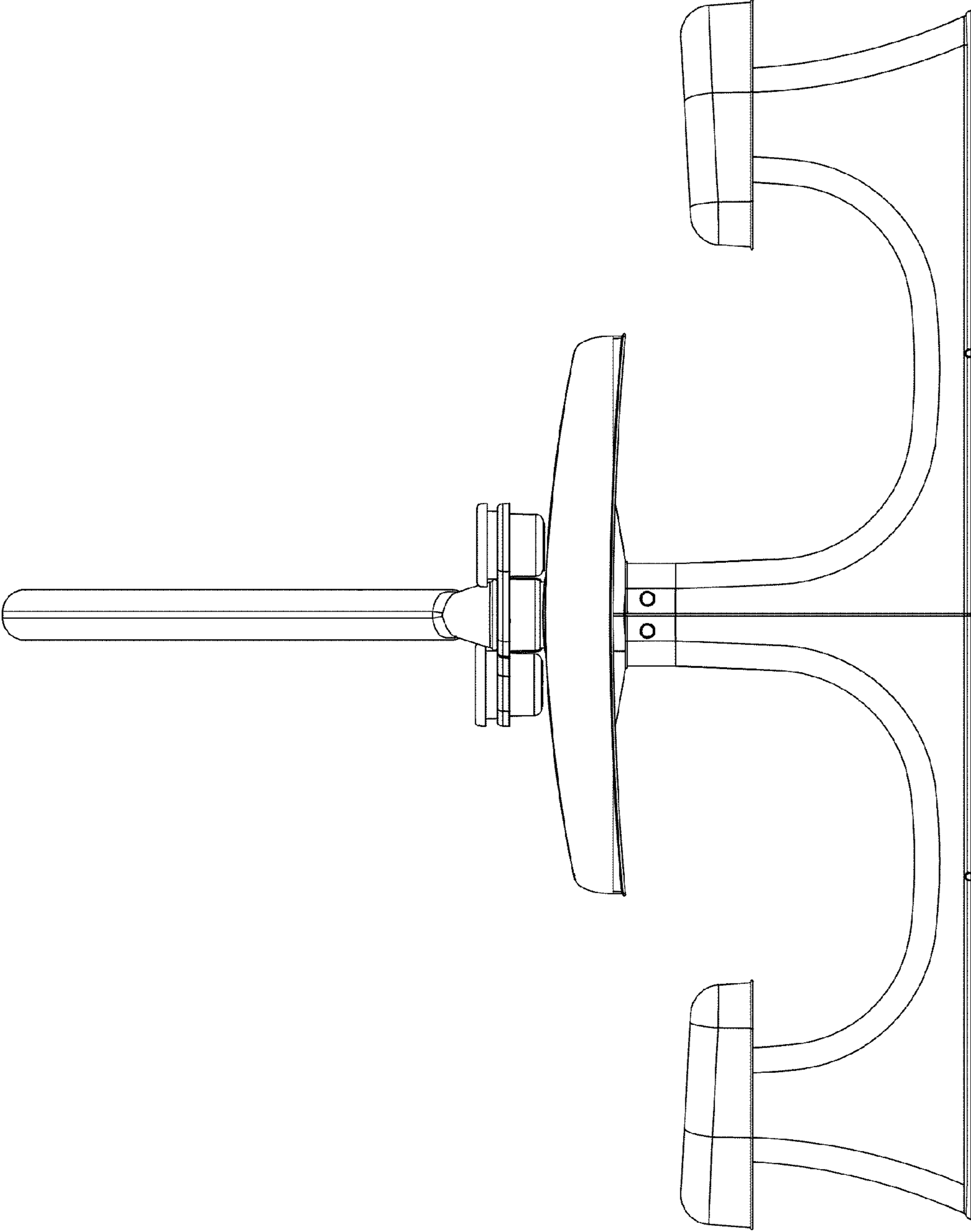


Figure 4
SIDE VIEW

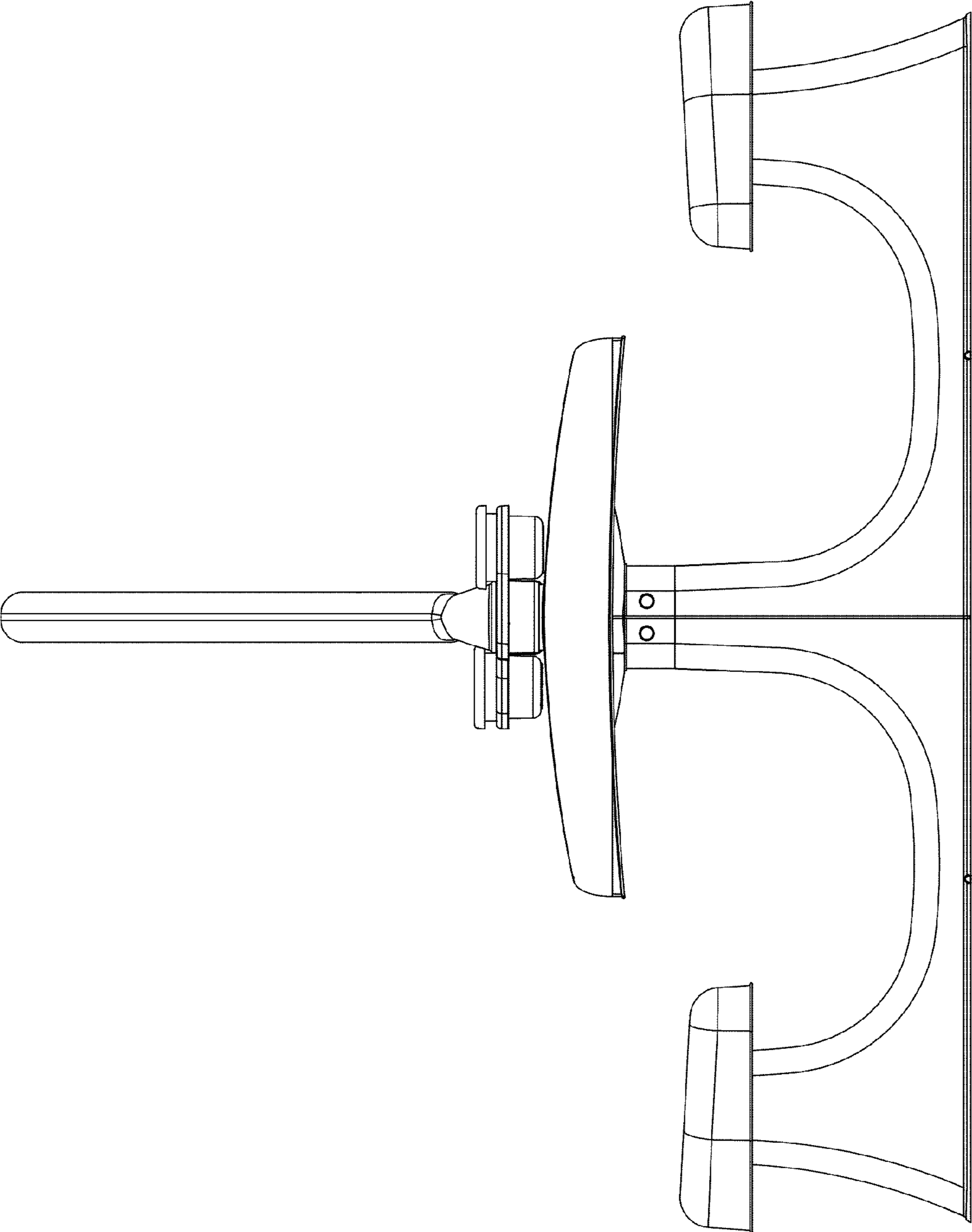


Figure 5
SIDE VIEW

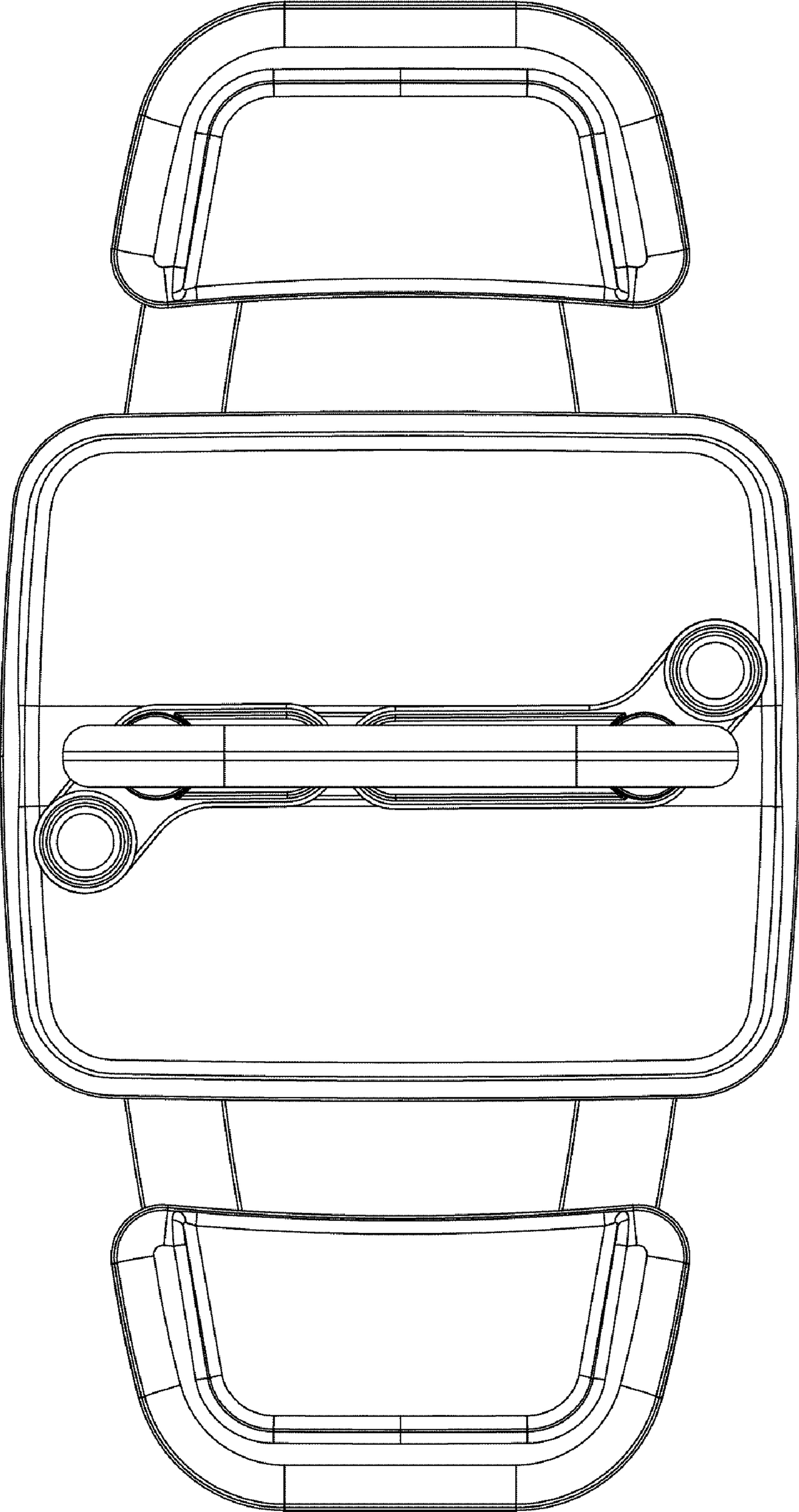


Figure 6
TOP VIEW

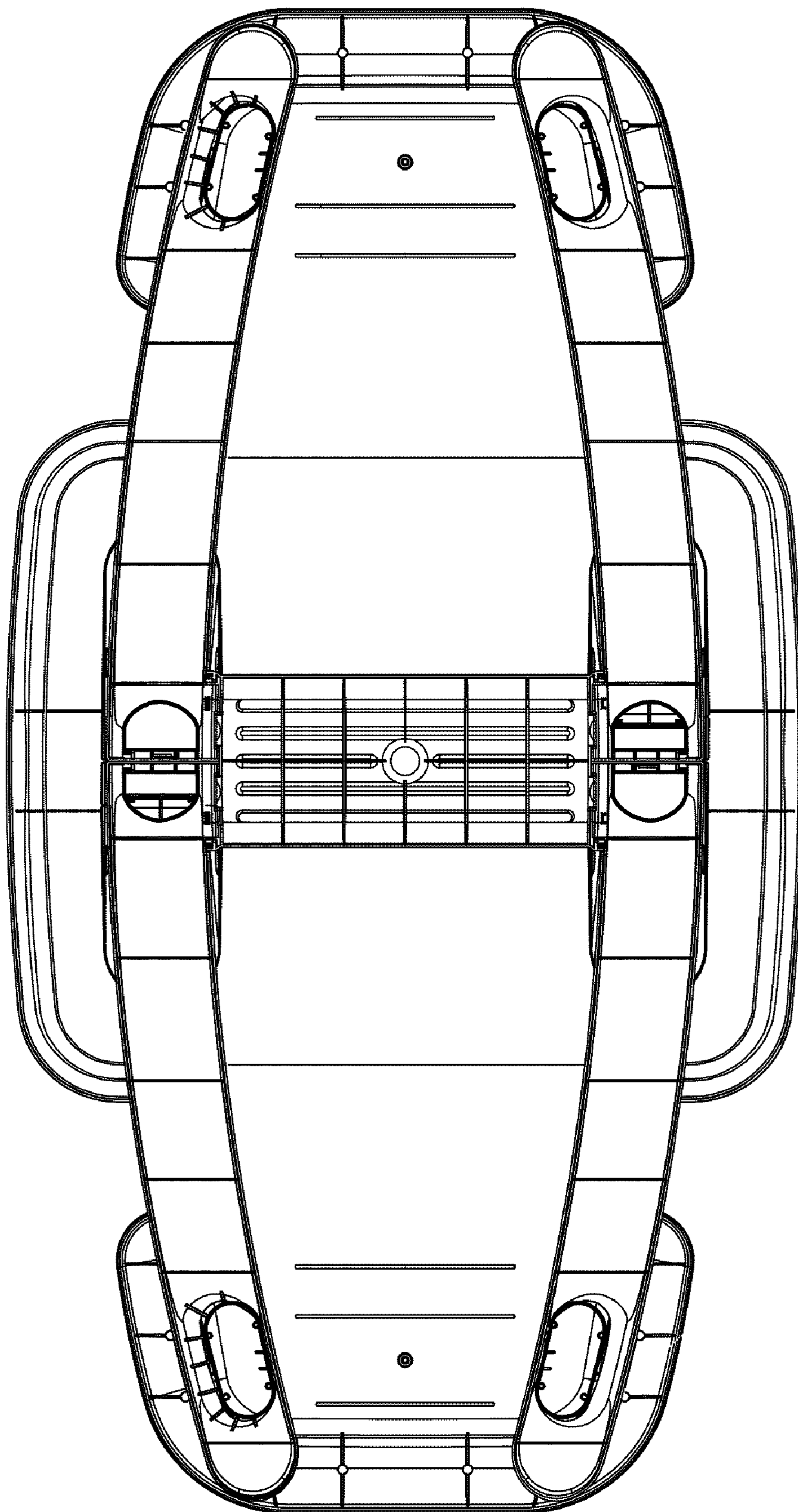


Figure 7
BOTTOM VIEW